

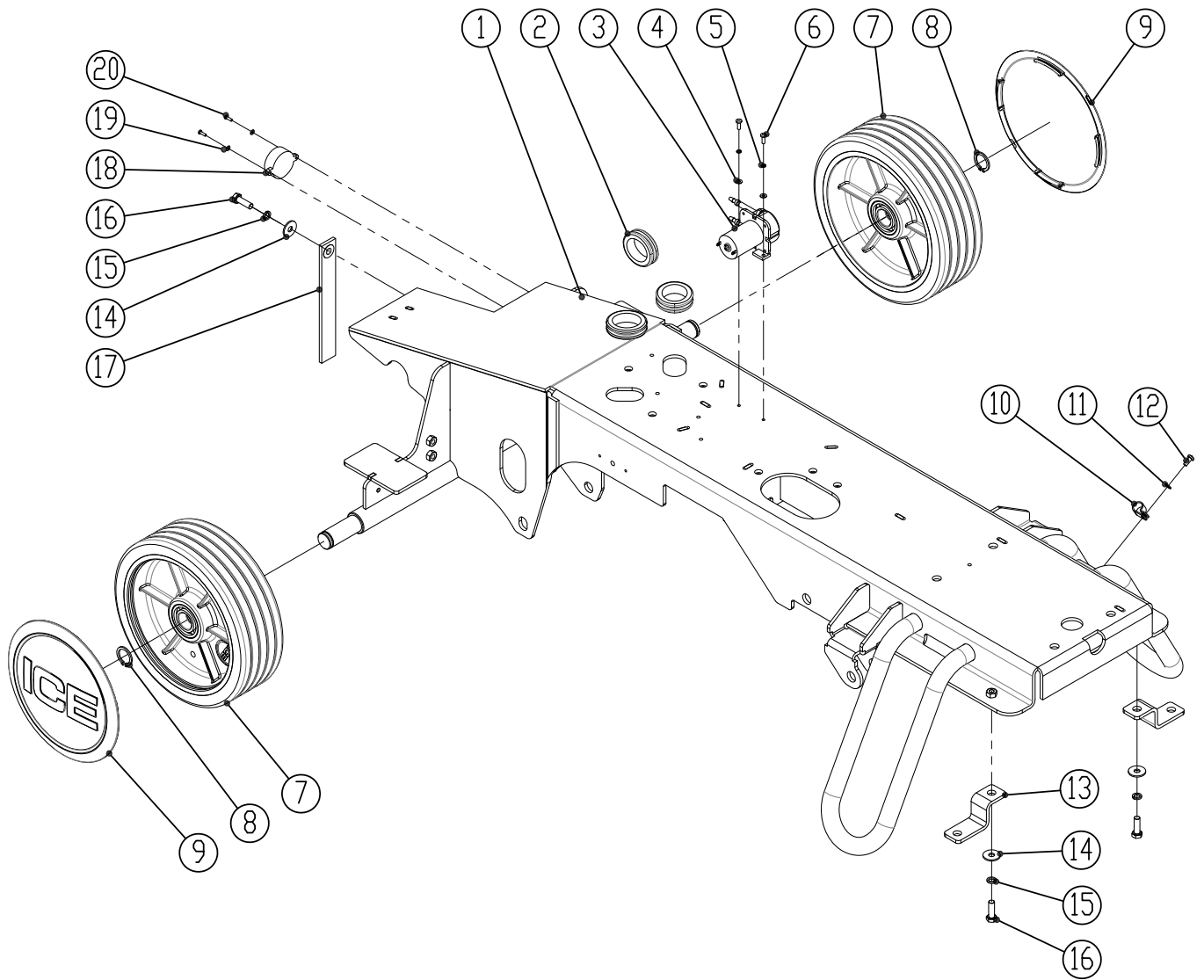
---

## TABLE OF CONTENTS

1.MAIN FRAME GROUP .....	2
2.STEERING & DRIVE WHEEL GROUP .....	4
(1) #16 8310645 BRACKET, FLANGE BEARING{RS32:000208~,RS26:000200~} .....	5
3.SOLUTION TANK GROUP .....	6
4.RECOVERY TANK GROUP .....	8
5.RECOVERY TANK COVER GROUP .....	10
6.CONTROL PANEL GROUP .....	12
7.MAIN CONTROLLER GROUP .....	14
(1) #29 8310790 MAIN CONTROLLER{RS32:000204~,RS26:000174~} .....	15
(2) #24 8210106A ON BOARD BATTERY CHARGER{RS32:0~000255,RS26:0~000316} .....	15
(3) #24 8350425A DELTA-Q BATTERY CHARGER{RS32:000256~,RS26:000317~} .....	15
8.SEAT & DETERGENT SYSTEM GROUP .....	16
9.BATTERY GROUP .....	18
10.SCRUB HEAD LIFTING GROUP .....	20
11.SCRUB HEAD GROUP .....	22
12.SQUEEGEE GROUP .....	24
(1) #2 8310502A LINEAR, ACTUATOR, KIT {RS32:0~000218,RS26:0~000237} .....	25
(2) #2 8310590A LINEAR, ACTUATOR, KIT {RS32:000219~,RS26:000238~} .....	25
(3) #2 8310591A LINEAR, ACTUATOR, KIT {RS32:000219~,RS26:000238~} .....	25
13.SOLUTION & DETERGENT SYSTEM .....	26
(1) #14 8310930A DETERGENT PUMP, KIT {RS32:000204~,RS26:000174~} .....	27

---

MAIN FRAME GROUP



**MAIN FRAME GROUP**

<b>DIA NO.</b>	<b>PART NUMBER</b>	<b>DESCRIPTION</b>	<b>SERIAL NUMBER</b>	<b>MACHINE TYPE</b>	<b>NO REQ'D</b>
1	8310102	MAIN FRAME, WELDED			1
2	8310133	RUBBER GROMMET			5
3	8310930A	PERISTALTIC PUMP, KIT			1
	8310931	TUBING, PUMP			1
4	1421409	FLAT WASHER, M4× $\phi$ 9×0.8			2
5	1422411	LOCK WASHER M4			2
6	1221412	SCREW, PAN HEAD, M4×12			2
7	8310119	10" WHEEL, PU TIRE			2
	1612605	BALL BEARING,6205-2RS			4
8	1436025	RETAINING RING, 25MM			2
9	8310150	WHEEL CAP			2
10	6210131	NYLON, CLAMP			5
11	1421510	FLAT WASHER, M5× $\phi$ 10×1.0			5
12	1221512	SCREW, PAN HEAD, M5×12			5
13	8310120	BRACKET, STAND			2
14	1421824	FLAT WASHER, M8× $\phi$ 24×2.0			3
15	1422821	LOCK WASHER M8			3
16	1021825	BOLT, HEX, M8×25			3
17	8210118	STATIC STRAP			1
18	8310708A	HORN, 24VDC, KIT			1
19	1421307	PLAT WASHER, M3× $\phi$ 7×0.5			4
20	1211316	SCREW, PAN HEAD, M3×16			2



**STEERING & DRIVE WHEEL GROUP**

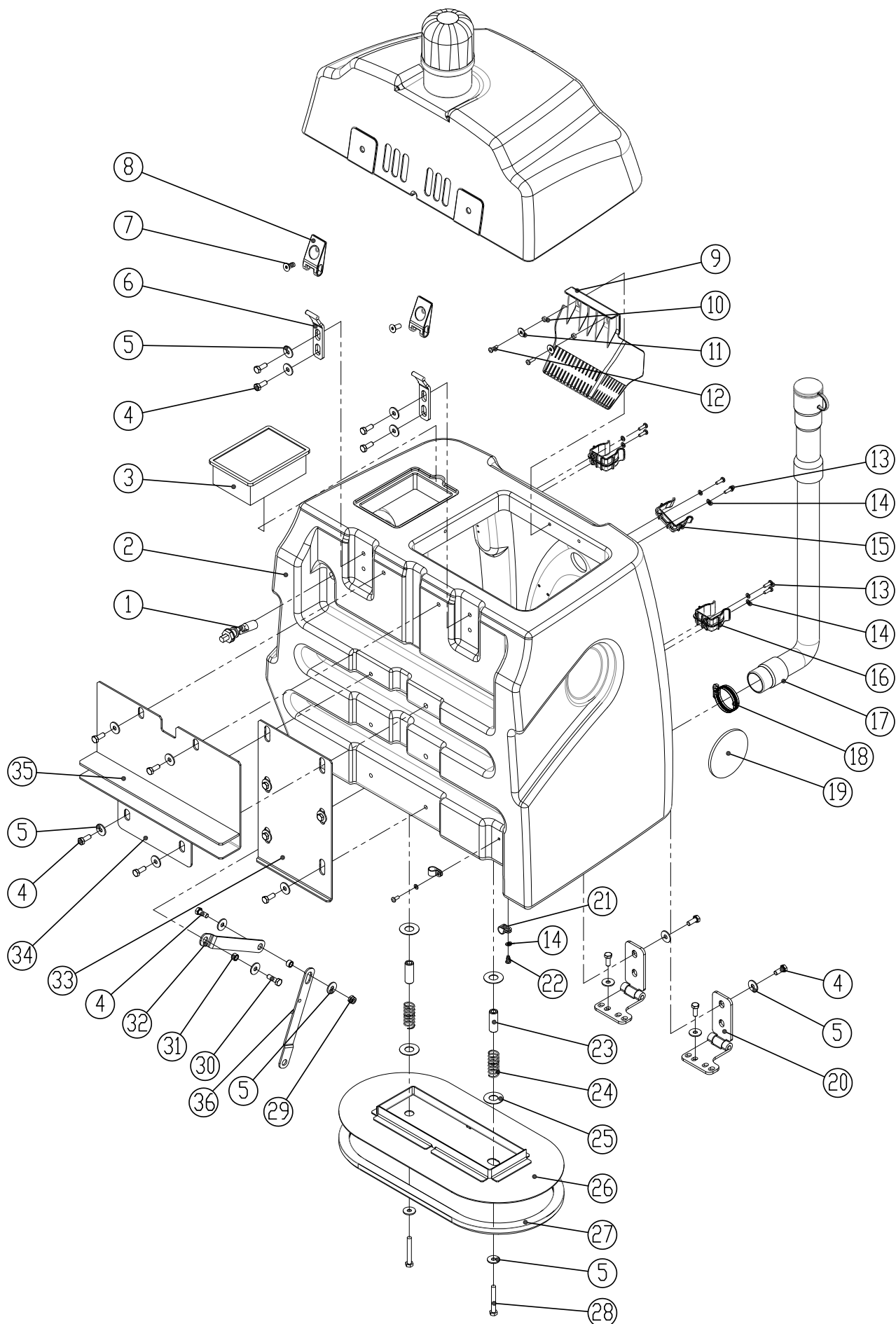
<b>DIA NO.</b>	<b>PART NUMBER</b>	<b>DESCRIPTION</b>	<b>SERIAL NUMBER</b>	<b>MACHINE TYPE</b>	<b>NO REQ'D</b>
1	1113014	LOCK NUT, M14			1
2	1421428	FLAT WASHER, M14×φ28×2.0			1
3	8310602	STEERING WHEEL			1
	8310699A	CUSHION WITH ICE LOGO			1
4	8310608	BELLOWS, SHAFT, STEERING			1
5	1021825	BOLT, HEX HEAD, M8×25			8
6	1422821	LOCK WASHER, M8			6
7	1421816	FLAT WASHER, M18×φ16×1.6			4
8	8310609	BEARING, FLANGE			2
9	8310605	SHAFT, STEERING WHEEL			1
10	1654025	KEY, 4.75×4.75×25.4			2
11	8310604	U-JOINT			1
12	1534508	SET SCREW, M5 ×8			4
13	1123507	LOCK NUT, M5			3
14	1421510	FLAT WASHER, M5×φ10×1.0			3
15	6210131	CLAMP, NYLON			3
16	8310645	BRACKET, FLANGE BEARING	000208~	RS32	1
			000200~	RS26	
17	1021060	BOLT, HEX HEAD, M10×60			4
18	1422026	LOCK WASHER, M10			4
19	1421030	FLAT WASHER, M10×φ30×2.5			4
20	8310601	SUPPORT BRACKET, STEERING			1
21	1021820	BOLT, HEX HEAD, M8×20			4
22	1421824	FLAT WASHER, M14×φ24×2.0			8
23	8310640	ACCELERATOR/ BRAKE PEDAL			1
24	8310431	HALL SENSOR WITH CABLE			1
25	8310603	STEER-CONTROL ASSY.			1
26	8310650	DRIVE WHEEL, 24VDC 800W			1
27	8310611	PU TIRE, DRIVER WHEEL			1
28	8310612	ARMATURE BRUSH			4
29	8310613	BRUSHES CONNECTION BOX			2
30	8310618A	ELECTRICALLY RELEASED BRAKE			1



**SOLUTION TANK GROUP**

<b>DIA NO.</b>	<b>PART NUMBER</b>	<b>DESCRIPTION</b>	<b>SERIAL NUMBER</b>	<b>MACHINE TYPE</b>	<b>NO REQ'D</b>
1	8310101	SOLUTION TANK			1
2	1221512	SCREW, PAN HEAD, M5×12			2
3	1421510	FLAT WASHER, M5× $\phi$ 10×1.0			2
4	8113009	CLAMP, NYLON			2
5	1021820	BOLT, HEX HEAD, M8×20			12
6	1421824	FLAT WASHER, M8× $\phi$ 24×2.0			13
7	8310139	PLATE			2
8	8310151A	NON-SLIP MAT			2
9	8310132	FOOTREST PLATE			1
10	1222508	SCREW, M5×8			4
11	1512820	SCREW, HEX SOCKET, M8×20			2
12	1421816	FLAT WASHER, M8× $\phi$ 16×1.6			2
13	8310140	JUNCTION PLATE			2
14	1422821	LOCK WASHER, M8			8
15	8310130	BRACKET, SOLUTION TANK MNTG			3
16	8310124	ELBOW, G1/2			1
17	8310142	NUT, M36			1
18	8310141	SEALING			2
19	8310238A	SENSOR, SOLUTION LEVEL, KIT			1
20	8310125	CAP, SOLUTION TANK			1
21	1021825	BOLT, HEX HEAD, M8×25			1
22	8310225	SLEEVE, $\phi$ 8.1× $\phi$ 12.7×7.8			1
23	8310224	ARM, RECOVERY TANK SUPPORT			1
24	1962050	CLAMP, 2 INCH			1
25	8011030	HOSE ASSEMBLY			1
26	8310123	ADAPTER, STRAINER ASSY			1
27	8310122	STRAINER ASSY			1

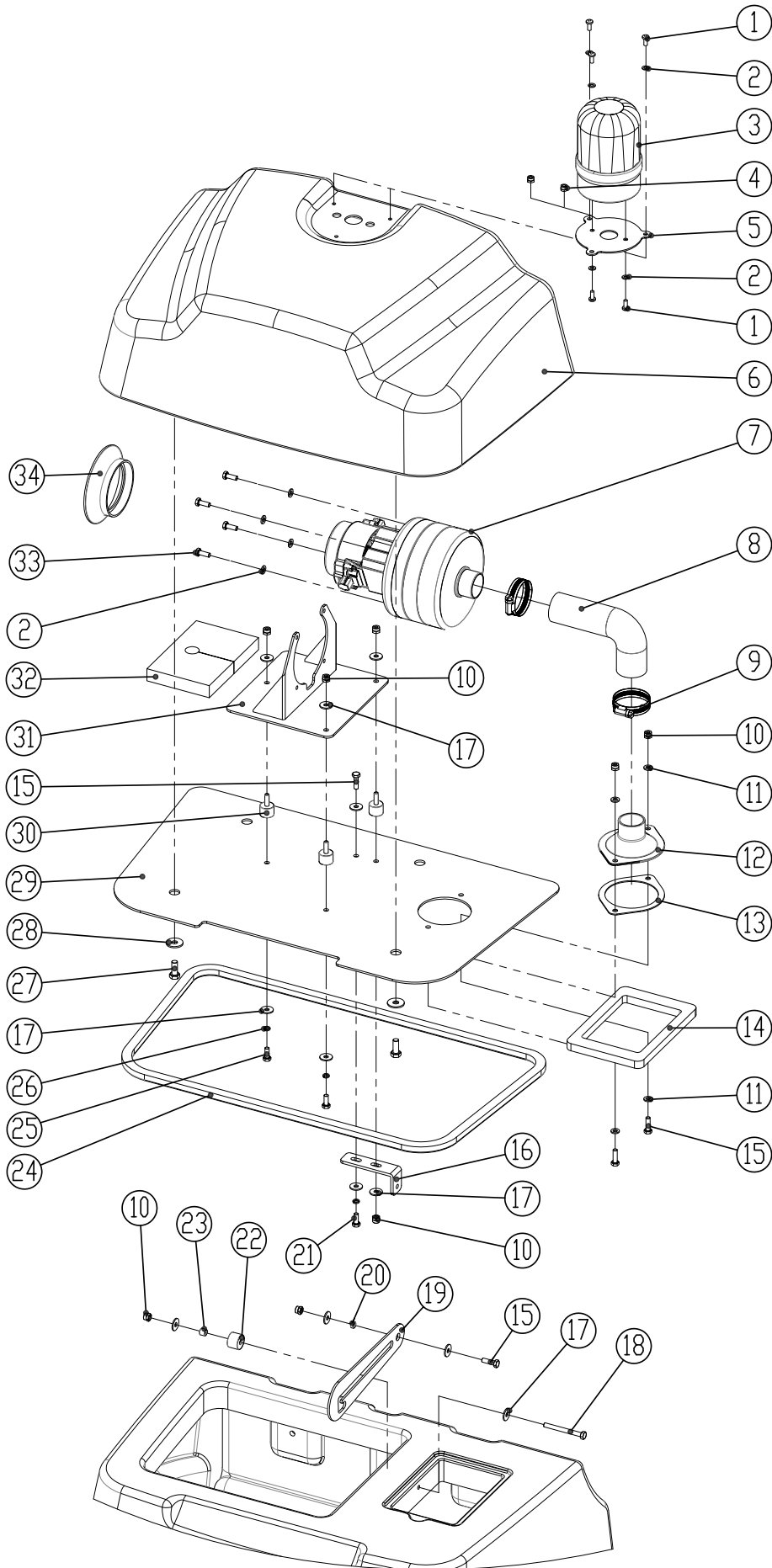
RECOVERY TANK GROUP



RECOVERY TANK GROUP

<b>DIA NO.</b>	<b>PART NUMBER</b>	<b>DESCRIPTION</b>	<b>SERIAL NUMBER</b>	<b>MACHINE TYPE</b>	<b>NO REQ'D</b>
1	8310238A	SENSOR, SOLUTION LEVEL, KIT			1
2	8310201	RECOVERY TANK			1
3	8310237	FILTER, DUST			1
4	1021820	BOLT, HEX HEAD, M8×20			21
5	1421824	FLAT WASHER, M8× $\phi$ 24×2.0			25
6	8310227	HINGE, WELDED			2
7	1513820	SCREW, HEX SOCKET, M8×20			2
8	8310226	HINGE, LEAF			2
9	8310250	DEBRIS COLLECTOR			1
10	8012008	BUSHING			2
11	1421618	FLAT WASHER, M6× $\phi$ 18×1.6			2
12	1321413	SELF-TAPPING, ST4.8 x 13			2
13	1221516	SCREW, PAN HEAD, M5×16			8
14	1421510	FLAT WASHER, M5× $\phi$ 10×1.0			12
15	2310129	CLAMP, HOSE			2
16	6210111	CLAMP, HOSE			2
17	8011030	DRAIN HOSE			1
18	1962050	CLAMP, 2 INCH			1
19	4010316	ICE LOGO			2
20	8310126	HINGE ASSY.			2
21	8113009	CLAMP, NYLON			4
22	1221512	SCREW, PAN HEAD, M5×12			4
23	8310221	SPACER			2
24	8310220	COMPRESSION SPRING			2
25	8310222	FLAT WASHER, LARGE			4
26	8310216	COVER, SOLUTION TANK			1
27	8310219	SEALING STRIP			1
28	1022860	BOLT, HEX HEAD, M8×60			2
29	1123810	LOCK NUT, M8			1
30	1021825	BOLT, HEX HEAD, M8×25			1
31	8310225	SLEEVE, $\phi$ 8.1× $\phi$ 12.7×7.8			2
32	8310223	ARM, RECOVERY TANK SUPPORT			1
33	8310215	BRACKET, RECOVERY TANK SUPPORT			1
34	8310211	BRACKET, SUPPORT			1
35	8310214	SPACER, RUBBER			1
36	8310224	ARM, RECOVERY TANK SUPPORT			1

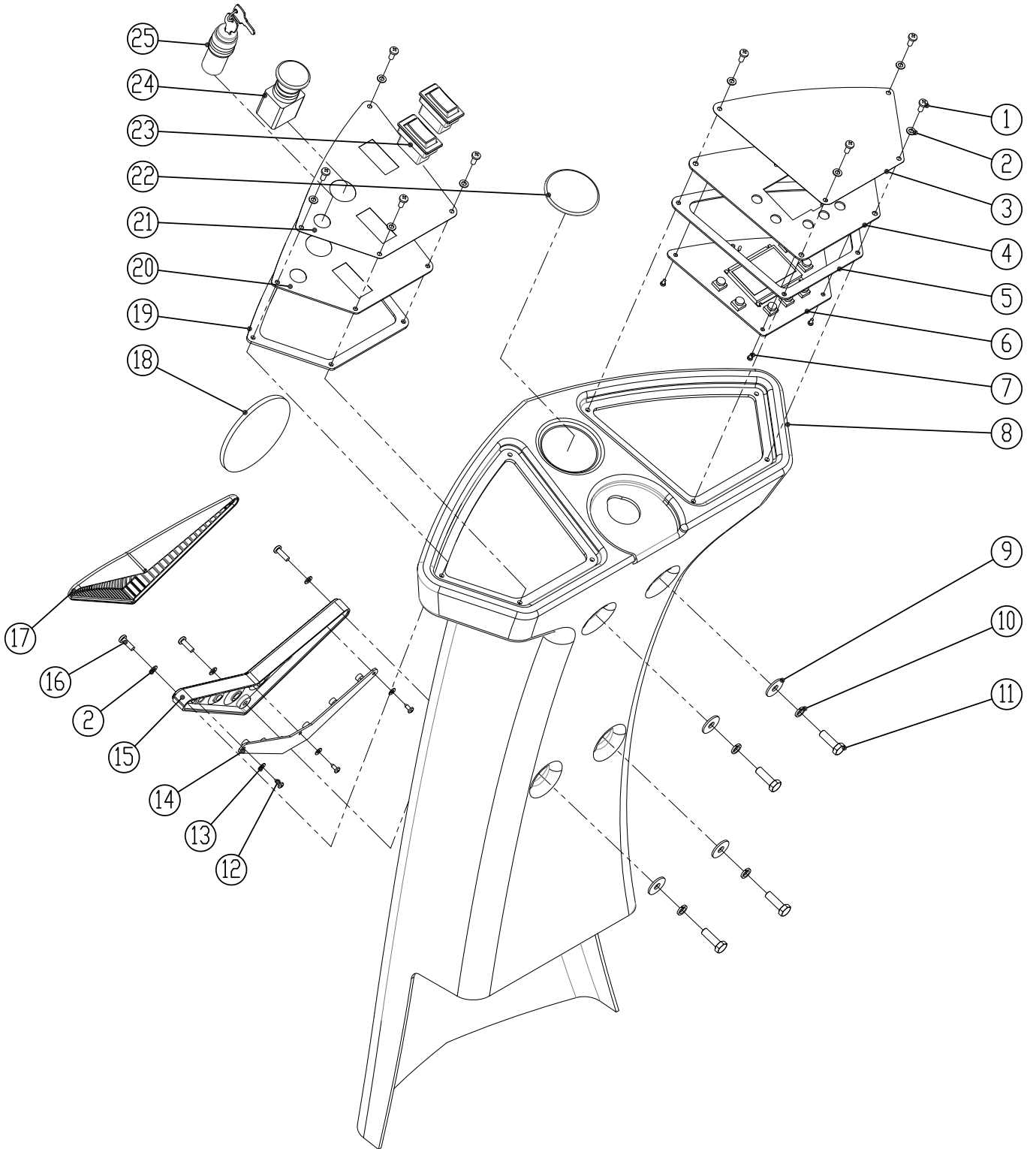
**RECOVERY TANK COVER GROUP**



RECOVERY TANK COVER GROUP

<b>DIA NO.</b>	<b>PART NUMBER</b>	<b>DESCRIPTION</b>	<b>SERIAL NUMBER</b>	<b>MACHINE TYPE</b>	<b>NO REQ'D</b>
1	1221512	SCREW, PAN HEAD, M5×12			5
2	1421510	FLAT WASHER, M5×φ10×1.0			9
3	8310138A	CAUTION LIGHT, KIT			1
4	1123507	LOCK NUT, M5			2
5	8310241	PLATE, CATUION LIGHT			1
6	8310202	RECOVERY TANK COVER			1
7	8310299	VACUUM MOTOR, 3 STAGE, KIT			1
	8112008	CARBON BRUSH FOR VACUUM MOTOR			2
8	8310207	VACUUM HOSE			1
9	1962050	CLAMP, 2 INCH			2
10	1123608	LOCK NUT, M6			8
11	1421612	FLAT WASHER, M6×φ12×1.6			4
12	8310204	ADAPTER, VACUUM HOSE			1
13	8310205	GASKET, ADAPTER			1
14	8310230	GASKET, DUST FILTER			1
15	1021620	BOLT, HEX HEAD, M6×20			4
16	8310232	BRACKET			1
17	1421618	FLAT WASHER, M6×φ18×1.6			12
18	1022600	BOLT, HEX HEAD, M6×100			1
19	8310228	SUPPORT, RECOVERY TANK COVER			1
20	8310231	SLEEVE, φ6.4×φ9.5×4			1
21	1021616	BOLT, HEX HEAD, M6×16			1
22	8310236	SPACER, NYLON			1
23	8310235	SLEEVE, φ6.4×φ9.5×8			1
24	8310229	SEALING STRIP			1
25	1021610	BOLT, HEX HEAD, M6×10			2
26	1422616	LOCK WASHER, M6			3
27	1021820	BOLT, HEX HEAD, M8×20			4
28	1421824	FLAT WASHER, M8×φ24×2.0			4
29	8310203	PLATE, VACCUM MOTOR MNTG			1
30	8310208	ISOLATER, M6			3
31	8310209	BRACKET, VACCUM MOTOR			1
32	8310234	INSULATION			1
33	1311316	SCREW, SELF-TAPPING, ST4.8×16			4
34	8310206	SEAL, FAN			1

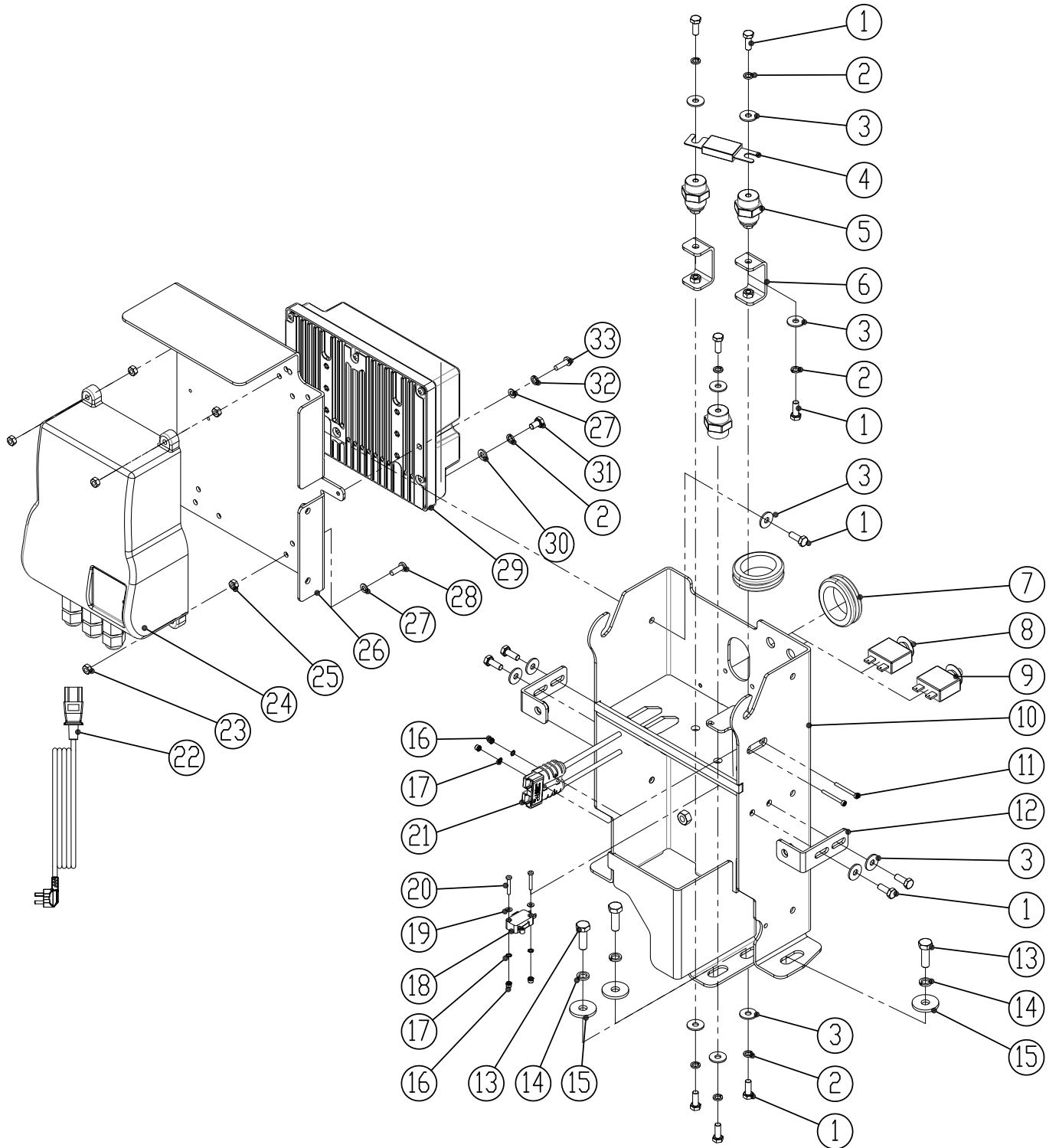
CONTROL PANEL GROUP



**CONTROL PANEL GROUP**

<b>DIA NO.</b>	<b>PART NUMBER</b>	<b>DESCRIPTION</b>	<b>SERIAL NUMBER</b>	<b>MACHINE TYPE</b>	<b>NO REQ'D</b>
1	1221512	SCREW, PAN HEAD, M5×12			8
2	1421510	FLAT WASHER, M5×φ10×1.0			11
3	8311703	DECAL, CONTROL PANEL			1
4	8311702	PLATE, CONTROL PANEL			1
5	8310712	GASKET, CONTROL PANEL			1
6	8310773	PCB, CONTROL PANEL (AGM / EN)			1
	8310775	PCB, CONTROL PANEL (WET FLOODED / EN)			1
7	1221306	SCREW, PAN HEAD, M3×6			5
8	8310701	CONROL HOUSING			1
9	1421824	FLAT WASHER, M8×φ24×2.0			4
10	1422821	LOCK WASHER, M8			4
11	1021825	BOLT, HEX HEAD, M8×25			4
12	1321110	SCREW, SELF-TAPPING, ST3.5×10			3
13	1421409	FLAT WASHER, M4×φ9×0.8			3
14	8133610	LED LIGHT, KIT			1
15	8133601	BASE, LED LIGHT			1
16	1221520	SCREW, PAN HEAD, M5×20			3
17	8133602	COVER, LED LIGHT			1
18	4010316	ICE LOGO			1
19	8310711	GASKET, SWITCH PANEL			1
20	8310702	PLATE, SWITCH PANEL			1
21	8310704	DECAL, SWITCH PANEL, RS32			1
	8312704	DECAL, SWITCH PANEL, RS28			1
	8310750	DECAL, SWITCH PANEL, RS26			1
22	2010121	ICE LOGO, SMALL			1
23	8310709	ROCKER SWITCH			2
24	8310707	EMERGENCY STOP SWITCH			1
25	8310706A	KEY SWITCH, KIT			1

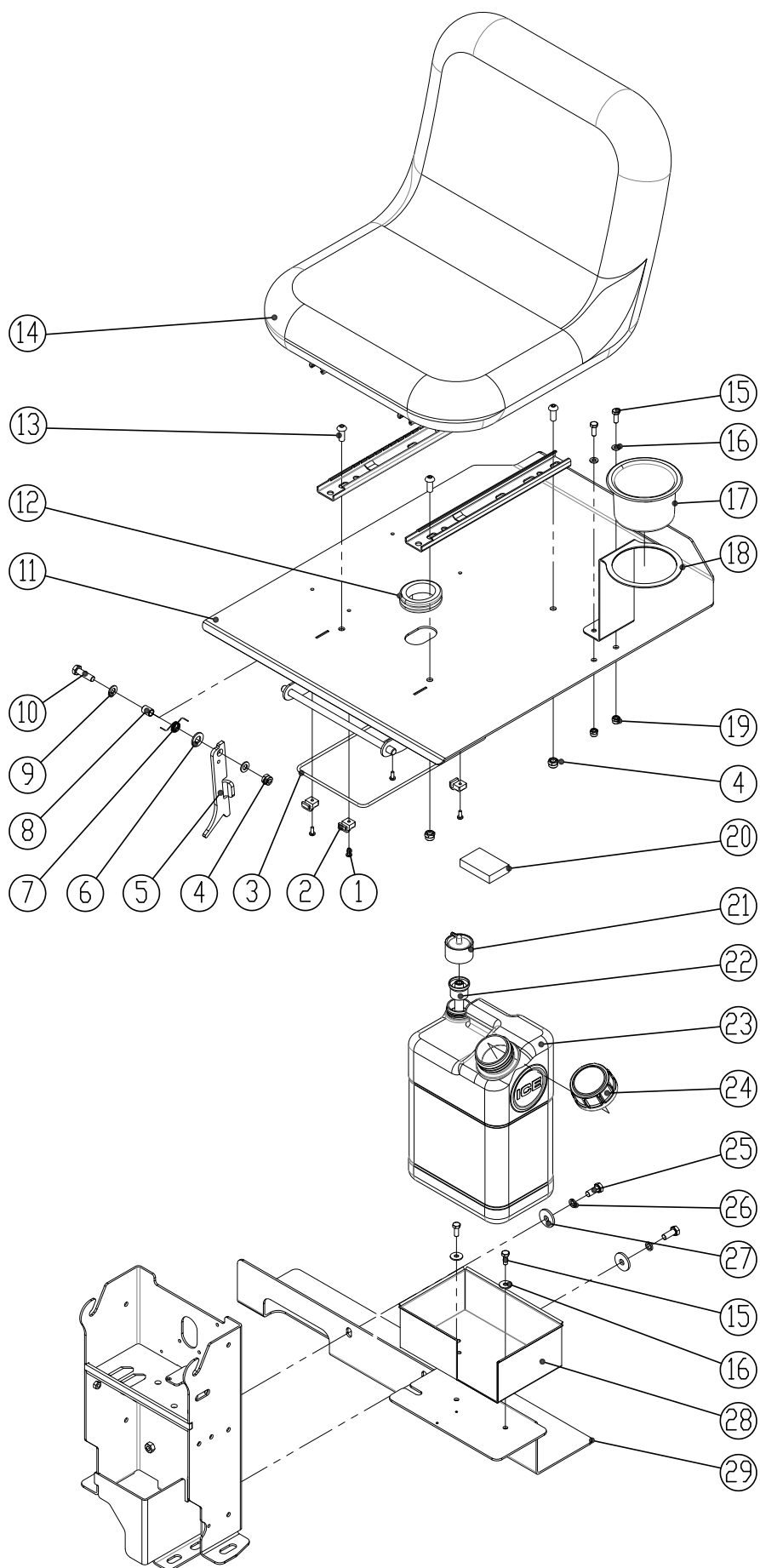
MAIN CONTROLLER GROUP



CONTROLLER GROUP

DIA NO.	PART NUMBER	DESCRIPTION	SERIAL NUMBER	MACHINE TYPE	NO REQ'D
1	1021616	SCREW, HEX HEAD, M6×16			12
2	1422616	LOCK WASHER, M6			18
3	1421618	FLAT WASHER, M6×φ18×1.6			15
4	8310480	FUSE, 150A			1
5	8114705	INSULATOR			3
6	8310422	BRACKET, INSULATOR			2
7	8310133	RUBBER GROMMET			2
8	8310740	CIRCUIT BREAKER, 5A			1
9	8014068	CIRCUIT BREAKER, 10A			1
10	8310450	BRACKET, SCRUB HEAD LIFTING			1
11	1211330	SCREW, PAN HEAD, M3×30			2
12	8310425	BRACKET			2
13	1021825	BOLT, HEX HEAD, M8×25			5
14	1422821	LOCK WASHER, M8			5
15	1421828	FLAT WASHER, M8×φ28×2.5			5
16	1123305	LOCK NUT, M3			4
17	1434300	WASHER, TOOTH, M3			4
18	8310423	MICRO SWITCH			1
19	1421307	FLAT WASHER, M3×φ7×0.5			2
20	1211320	SCREW, PAN HEAD, M3×20			2
21	8310763	OFF BOARD CHARGER SOCKET			1
22	8112030	POWER CORD, BATTERY CHARGER, US			1
	8112040	POWER CORD, BATTERY CHARGER, EU			1
	8112050	POWER CORD, BATTERY CHARGER, JP			1
	8112060	POWER CORD, BATTERY CHARGER, CH			1
	8112070	POWER CORD, BATTERY CHARGER, UK			1
23	1123507	LOCK NUT, M5			4
24	8210106A	ON BOARD BATTERY CHARGER, 25A	0~000255	RS32	1
			0~000316	RS26	
	8350425A	Delta-Q Battery charger, 24VDC 650W	000256~	RS32	
			000317~	RS26	
25	1121505	HEX NUT, M5			4
26	8310452	BRACKET, BATTERY CHARGER			1
27	1421510	FLAT WASHER, M5×φ10×1.0			6
28	1221520	SCREW, HEX HEAD, M5×20			4
29	8310790	MAIN CONTROLLER	000204~	RS32	1
			000174~	RS26	
30	1423612	FLAT WASHER M6× φ 12×1, COPPER			10
31	1023612	HEX BOLT M6 X 12, COPPER			10
32	1422513	LOCK WASHER, M5			2
33	1221525	SCREW, HEX HEAD, M5×25			2

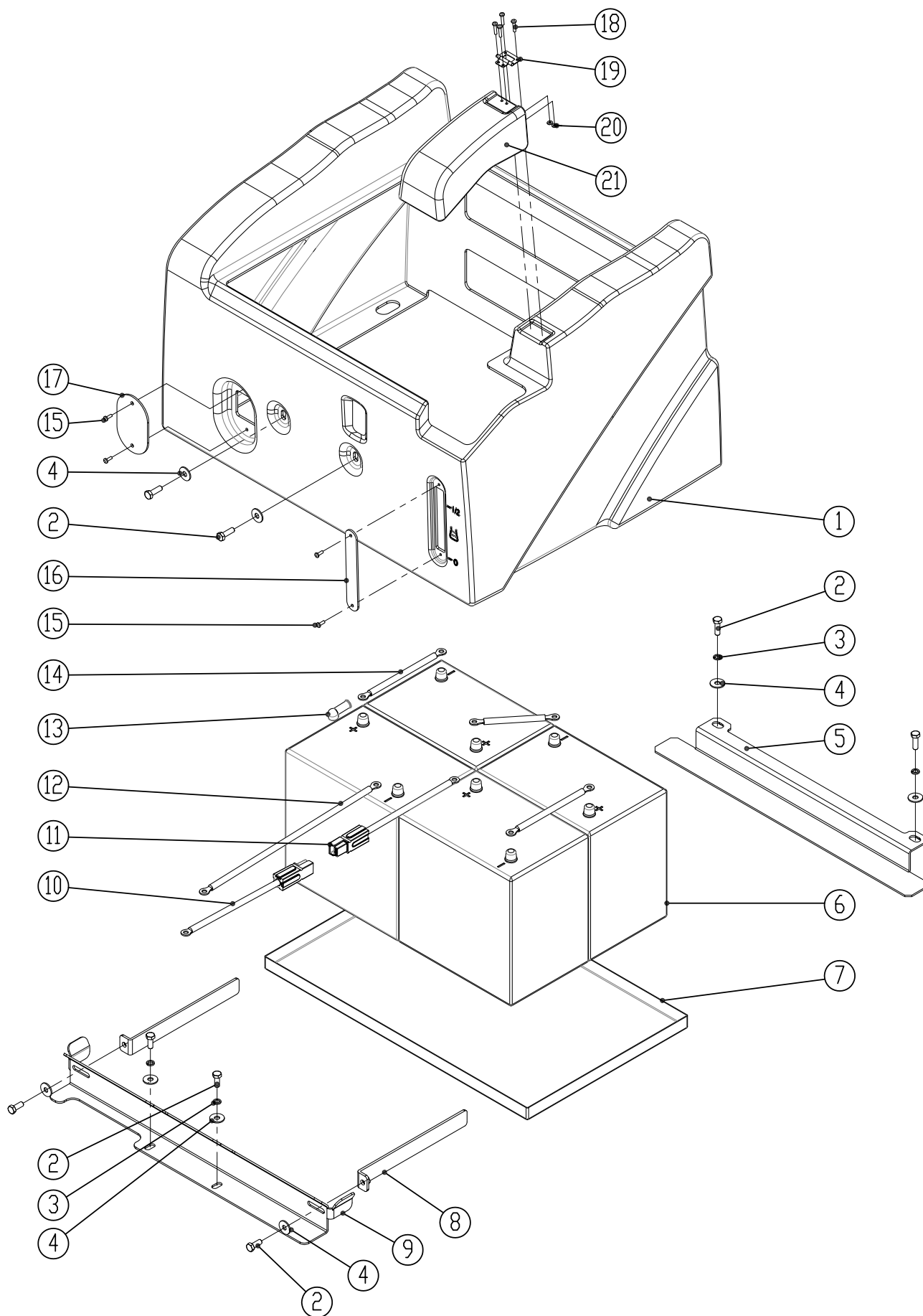
## SEAT & DETERGENT SYSTEM GROUP



**SEAT & DETERGENT SYSTEM GROUP**

<b>DIA NO.</b>	<b>PART NUMBER</b>	<b>DESCRIPTION</b>	<b>SERIAL NUMBER</b>	<b>MACHINE TYPE</b>	<b>NO REQ'D</b>
1	1221412	SCREW, HEX HEAD, M4×12			4
2	8133502	CLAMP			4
3	8133501	CARGO NET			1
4	1123810	LOCK NUT, M8			5
5	8310413	SUPPORT, SEAT			1
6	8117007	NYLON SPACER			1
7	8310415	TORSION SPRING			1
8	8310414	SLEEVE, $\phi 8.2 \times \phi 11 \times 15$			1
9	1421816	FLAT WASHER, M8× $\phi 16 \times 1.6$			2
10	1021830	BOLT, HEX HEAD, M8×30			1
11	8310411	PLATE, SEAT MNTG			1
12	8310133	RUBBER GROMMET			1
13	1512820	SCREW, HEX SOCKET, M8×20			4
14	8310402K	SEAT, KIT			1
15	1021616	SCREW, HEX HEAD, M6×16			4
16	1421618	FLAT WASHER, M6× $\phi 18 \times 1.6$			4
17	8310418	CUP HOLDER			1
18	8310419	BRACKET, CUP HOLDER			1
19	1123608	LOCK NUT, M6			2
20	8310460	SPACER			1
21	8310463	ADAPTOR, KEY			1
22	8310464	INSERT, LOCK			1
23	8310461	BOTTLE, DETERGENT			1
24	8310462	CAP, BOTTLE			1
25	1021820	BOLT, HEX HEAD, M8×20			2
26	1422821	LOCK WASHER, M8			2
27	1421828	FLAT WASHER, M8× $\phi 28 \times 2.5$			5
28	8310465	BOX, DETERGENT BOTTLE			1
29	8310421	BRACKET			1

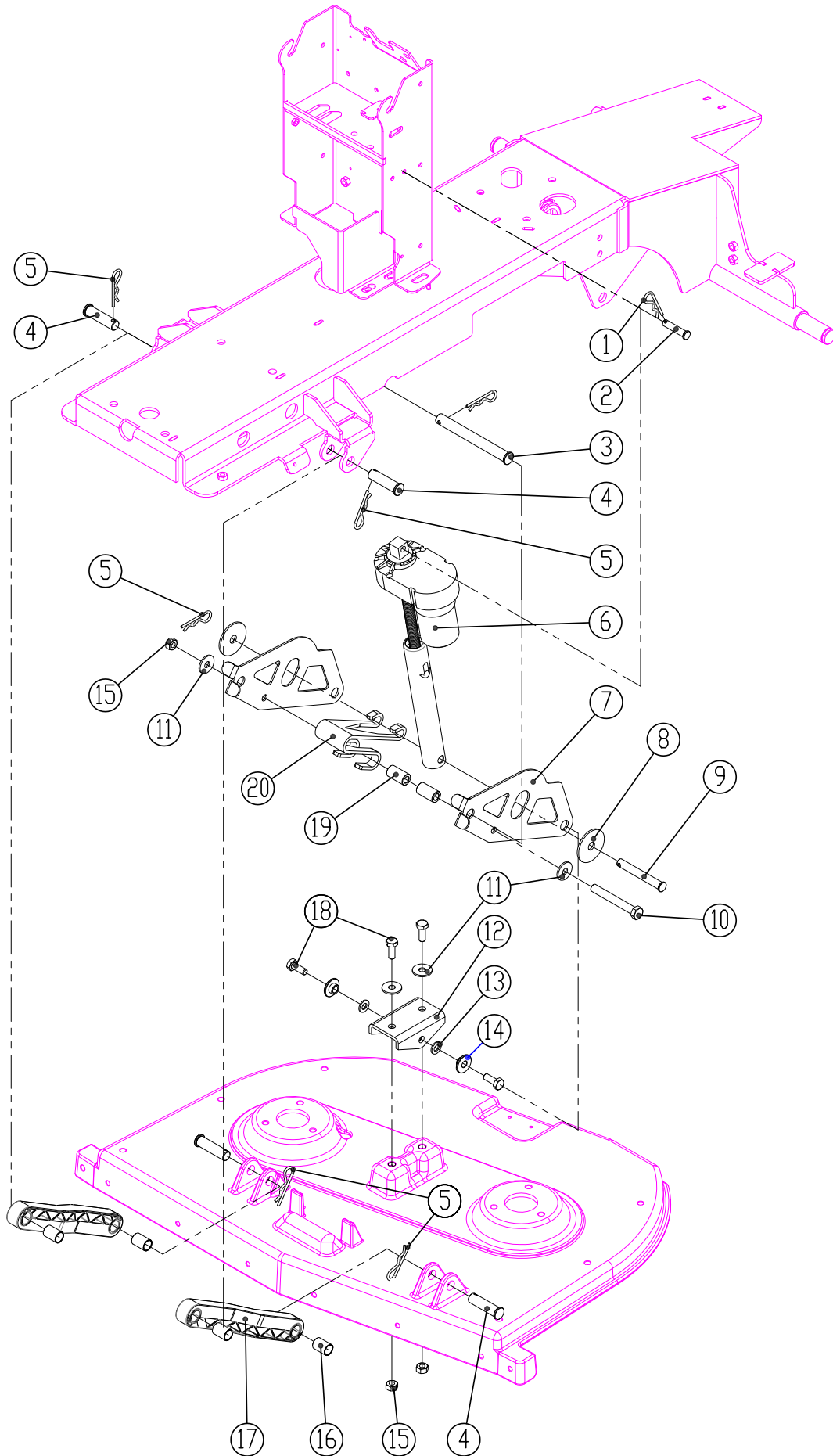
**BATTERY GROUP**



**BATTERY GROUP**

<b>DIA NO.</b>	<b>PART NUMBER</b>	<b>DESCRIPTION</b>	<b>SERIAL NUMBER</b>	<b>MACHINE TYPE</b>	<b>NO REQ'D</b>
1	8310401	BOX, BATTERY			1
2	1021820	BOLT, HEX HEAD, M8×20			8
3	1422821	LOCK WASHER, M8			4
4	1421824	FLAT WASHER, M8× $\phi$ 24×2.0			8
5	8310131	SUPPORT, BATTERY, REAR			1
6	8210105	BATTERY, 6V 230AH			4
7	8310135	TRAY, BATTERY			1
8	8310407	PLATE			2
9	8310136	SUPPORT, BATTERY, FRONT			1
10	8310736	BATTERY CONNECT CABLE, RED			1
11	8310737	BATTERY CONNECT CABLE, RED			1
12	8310733	BATTERY CONNECT CABLE, BLACK			1
13	8114751	JACKET, BATTERY TERMINAL, BLACK			8
14	8210141	BATTERY CONNECT CABLE, BLACK			3
15	1221412	SCREW, PAN HEAD, M4×12			4
16	8310406	COVER			1
17	8210114	COVER			1
18	1662316	RIVET, 3.2×16			4
19	8310404	HINGE ASSEMBLY			1
20	1421409	FLAT WASHER, M4× $\phi$ 9×0.8			4
21	8310403	COVER			1

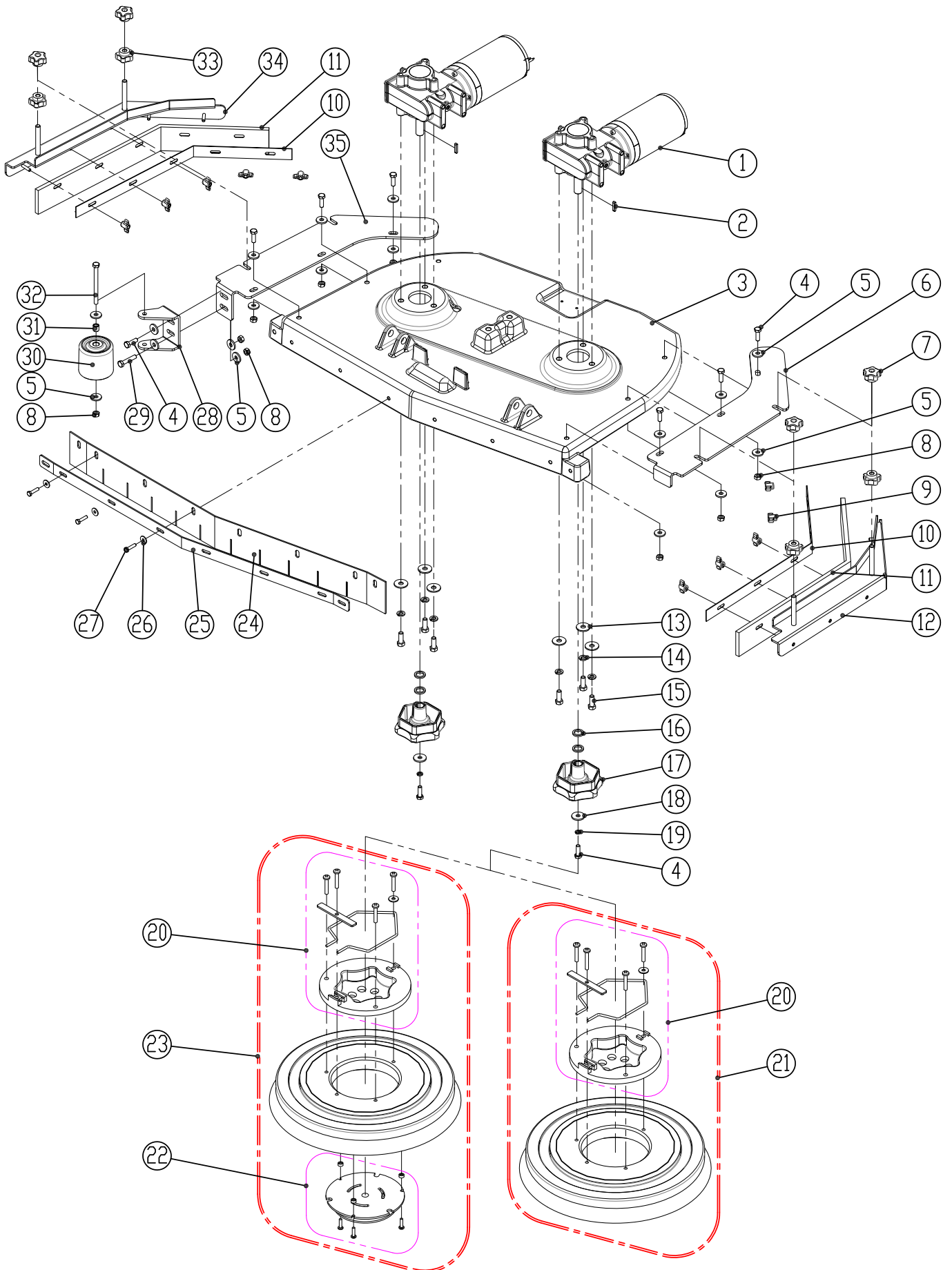
**SCRUB HEAD LIFTING GROUP**



**SCRUB HEAD LIFTING GROUP**

<b>DIA NO.</b>	<b>PART NUMBER</b>	<b>DESCRIPTION</b>	<b>SERIAL NUMBER</b>	<b>MACHINE TYPE</b>	<b>NO REQ'D</b>
1	8310320	PIN, COTTER			1
2	8210301	PIN, $\phi 9.5 \times 38$			1
3	8310311	PIN, $\phi 16 \times 150$			1
4	8310312	PIN, $\phi 16 \times 57$			4
5	8210309	PIN, COTTER			6
6	8310303A	LINEAR ACTUATOR, KIT			1
7	8310305	PLATE, ARM, SCRUB HEAD LIFTING			2
8	8310314	FLAT WASHER, LARGE			2
9	8310313	PIN, $\phi 12 \times 90$			1
10	1032090	BOLT, HEX HEAD, M10 $\times$ 90			1
11	1421030	FLAT WASHER, M10 $\times\phi 30 \times 2.5$			4
12	8310304	BRACKET, SCRUB HEAD LIFTING			1
13	1421020	FLAT WASHER, M10 $\times\phi 20 \times 2$			2
14	8310307	BUSHING, FLANGE			2
15	1123012	LOCK NUT, M10			3
16	8310144	SLEEVE, $\phi 16 \times \phi 18.6 \times 25.4$			4
17	8310118	ARM, SCRUB HEAD LIFTING			2
18	1011025	BOLT, HEX HEAD, M10 $\times$ 25			4
19	8310306	SLEEVE, $\phi 10.5 \times \phi 18.5 \times 34$			2
20	8310308	SPRING			1

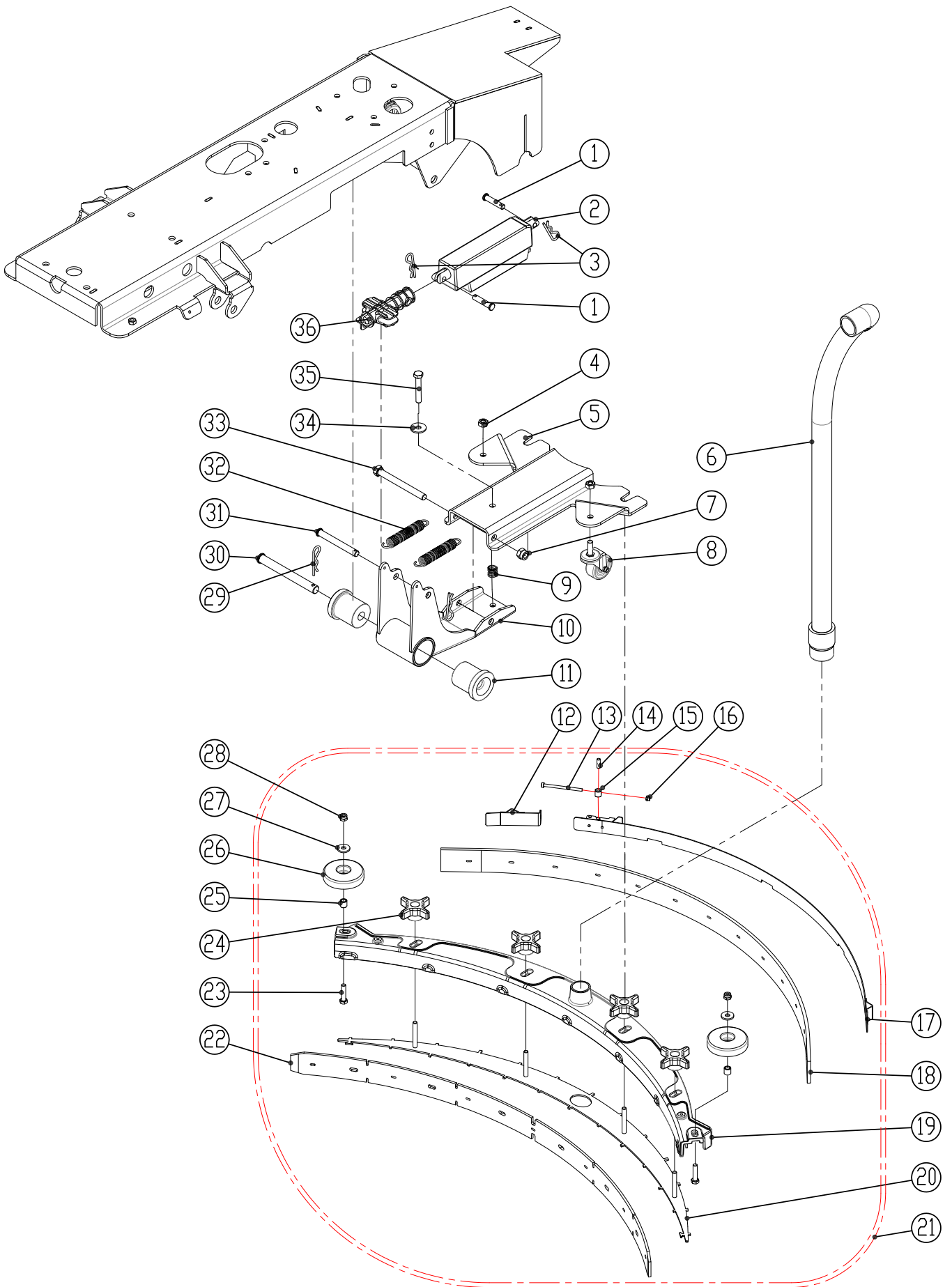
**SCRUB HEAD GROUP**



**SCRUB HEAD GROUP**

<b>DIA NO.</b>	<b>PART NUMBER</b>	<b>DESCRIPTION</b>	<b>SERIAL NUMBER</b>	<b>MACHINE TYPE</b>	<b>NO REQ'D</b>
1	8310399	BRUSH MOTOR, 24VDC 450W, KIT			2
	8310316	CARBON BRUSH			4
2	1655025	KEY, 5×5×25			2
3	8311301	SCRUB HEAD HOUSING, RS26			1
	8312301	SCRUB HEAD HOUSING, RS28			1
	8310301	SCRUB HEAD HOUSING, RS32			1
4	1021830	BOLT, HEX HEAD, M8×30			9
5	1421824	FLAT WASHER, M8× $\phi$ 24×2.0			18
6	8310356	BRACKET, LEFT			1
7	8210532	KNOB, M10			4
8	1123810	LOCK NUT, M8			9
9	8210531	KNOB, M6			10
10	8310355	CLAMP, SIDE SKIRT			2
11	8310365	BLADE, SIDE SKIRT, LINATEX			4
	8310366	BLADE, SIDE SKIRT, PU (OPTION)			4
12	8310357	BRACKET, SIDE SKIRT, LEFT			1
13	1421020	FLAT WASHER, M10× $\phi$ 20×2.0			6
14	1422010	LOCK NUT, 3/8			6
15	1023010	BOLT, HEX HEAD, 3/8-16×1			6
16	8210804	SPACER			4
17	8210805	HUB, BRUSH DRIVE			2
18	1421828	FLAT WASHER, M8× $\phi$ 28×3.0			2
19	1422821	LOCK WASHER, M8			2
20	9000004	CLUTCH, G-400S			2
21	9050013	BRUSH, 13 INCH, RS26			2
	9050014	BRUSH, 14 INCH, RS28			2
	9050016	BRUSH, 16 INCH, RS32			2
22	9000003	CENTER LOCK, #3			2
23	9040013	PAD DRIVER, 13 INCH, RS26			2
	9040014	PAD DRIVER, 14 INCH, RS28			2
	9040016	PAD DRIVER, 16 INCH, RS32			2
24	8311358	SKIRT, RS26			1
	8312358	SKIRT, RS28			1
	8310358	SKIRT, RS32			1
25	8311359	CLAMP, SKIRT, RS26			1
	8312359	CLAMP, SKIRT, RS28			1
	8310359	CLAMP, SKIRT, RS32			1
26	1421618	FLAT WASHER, M6× $\phi$ 18×1.6			7
27	1021616	BOLT, HEX HEAD, M6×16			7
28	8310361	BRACKET, PROTECTIVE WHEEL			1
29	1021840	BOLT, HEX HEAD, M8×40			1
30	8310362	PROTECTIVE WHEEL			1
31	8115404	SLEEVE, $\phi$ 8× $\phi$ 12.7×12.7			6
32	1022800	BOLT, HEX HEAD, M8×100			1
33	8310354	KNOB, M10			4
34	8310351	BRACKET, SIDE SKIRT, RIGHT			1
35	8310353	BRACKET, RIGHT			1

**SQUEEGEE GROUP**

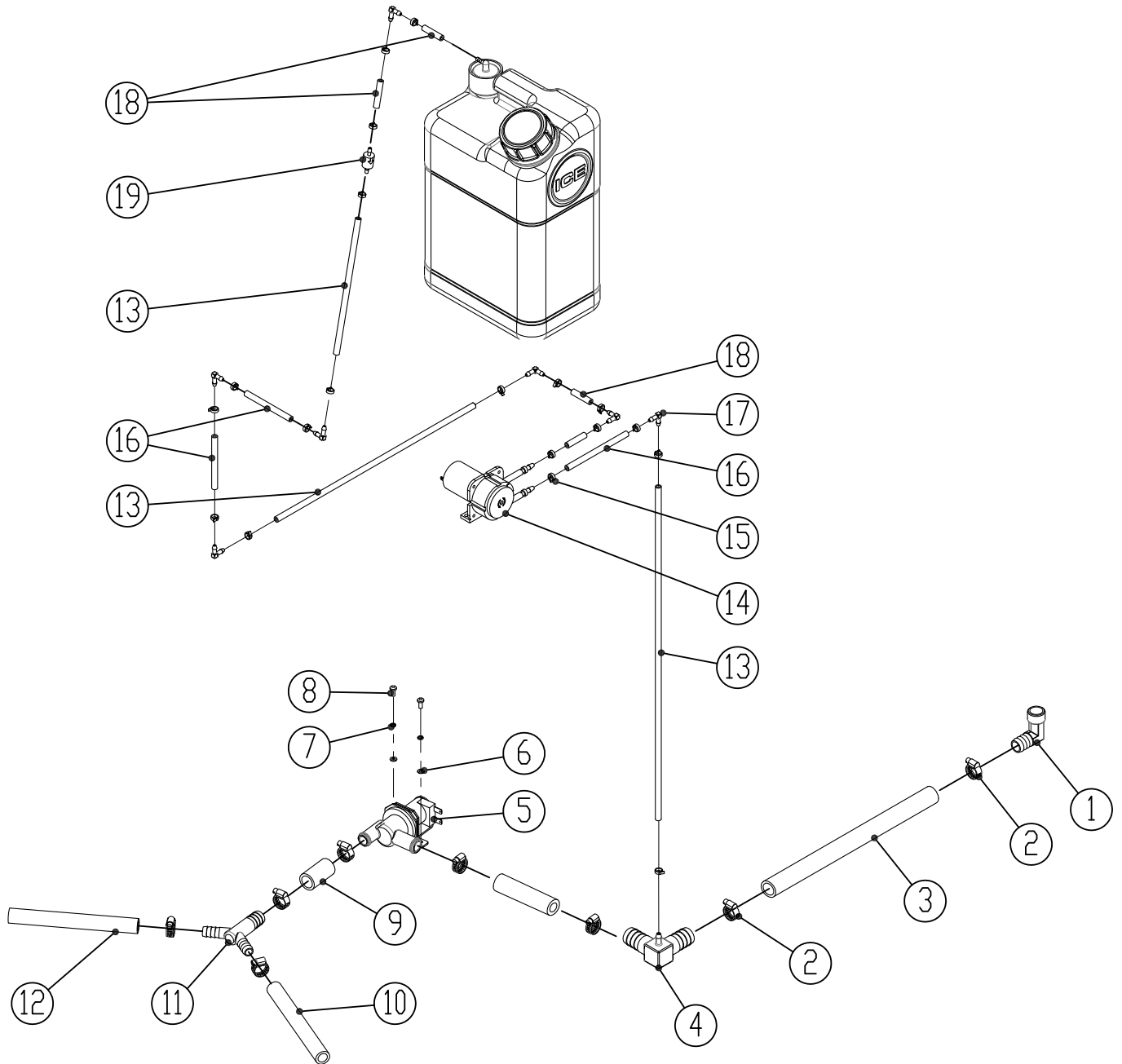


**SQUEEGEE GROUP**

DIA NO.	PART NUMBER	DESCRIPTION	SERIAL NUMBER	MACHINE TYPE	NO REQ'D
1	8310506	PIN, $\phi$ 10×45			2
2	8310502A	LINEAR, ACTUATOR, KIT	0~000218	RS32	1
			0~000237	RS26	
	8310590A	LINEAR, ACTUATOR, KIT	000219~	RS32	
			000238~	RS26	
	8310591A	LINEAR, ACTUATOR, KIT	000219~	RS32	
		000238~	RS26		
3	8310320	PIN, COTTER			2
4	1121008	HEX NUT, M10			2
5	8310503	BRACKET, SQUEEGEE			1
6	8310240	VACUUM HOSE			1
7	1123115	LOCK NUT, M12			1
8	8310550	CASTER, 2 INCH			2
9	8310501	COMPRESSION SPRING,			1
10	8310504	ARM, SQGE LIFTING			1
11	8310505	FLEX BUSHING, TPU			2
12	8210525	SHORT CLAMP ASSEMBLY			1
13	1221575	SCREW, PAN HEAD, M5×75			1
14	8118624	SHAFT			1
15	8118623	SPACER			1
16	1123507	LOCK NUT, M5			1
17	8311514	CLAMP ASSEMBLY, RS26			1
	8310514	CLAMP ASSEMBLY, RS28 / RS32			1
18	8311531	REAR BLADE, LINATEX, RS26			1
	8310531	REAR BLADE, LINATEX, RS28 / RS32			1
	8311541	REAR BLADE, PU, RS26, OPTION			1
	8310541	REAR BLADE, PU, RS28 / RS32, OPTION			1
19	8311561	SQUEEGEE HOSING, RS26			1
	8310561	SQUEEGEE HOSING, RS28 / RS32			1
20	8311562	RETAINER, SQUEEGEE, RS26			1
	8310562	RETAINER, SQUEEGEE, RS28 / RS32			1
21	8311560	SQUEEGEE ASSEMBLY, RS26			1
	8310560	SQUEEGEE ASSEMBLY, RS28 / RS32			1
22	8311534	FRONT BLADE, LINATEX, RS26			1
	8310534	FRONT BLADE, LINATEX, RS28 / RS32			1
	8311544	FRONT BLADE, PU, RS26, OPTION			1
	8310544	FRONT BLADE, PU, RS28/ RS32, OPTION			1
23	1021835	BOLT, HEX HEAD, M8×35			2
24	8210518	KNOB, M8			4
25	8115404	SLEEVE, $\phi$ 8× $\phi$ 12.7×12.7			2
26	8116009	PROTECTIVE WHEEL			2
27	1421824	FLAT WASHER, M8× $\phi$ 24×2			4
28	1123810	LOCK NUT, M8			2
29	8210309	PIN, COTTER			2
30	8310311	PIN, $\phi$ 16×150			1
31	8310508	PIN, $\phi$ 12×100			1
32	8310509	EXTENSION SPRING			2
33	1031212	BOLT, HEX HEAD, M12×120			1
34	1421030	FLAT WASHER, M10× $\phi$ 30×2.5			1
35	1021060	BOLT, HEX HEAD, M10×60			1
36	8310507	ADAPTER			1

NOTE:#2 **8310590A,8310591A** can also replace **8310502A**, but the main controller program needs to be updated when replacing.

SOLUTION & DETERGENT SYSTEM



**SOLUTION & DETERGENT SYSTEM**

<b>DIA NO.</b>	<b>PART NUMBER</b>	<b>DESCRIPTION</b>	<b>SERIAL NUMBER</b>	<b>MACHINE TYPE</b>	<b>NO REQ'D</b>
1	8310124	ELBOW, G1/2			1
2	1962025	CLAMP 16-25MM			8
3	8310901	TUBING, ID=16MM L=500MM			1
4	8310375	ELBOW, CHEMICAL CONNECTOR			1
5	8310371	SOLENOID VALVE, 24VDC			1
6	1421510	FLAT WASHER, M5×φ10×1.0			2
7	1422513	LOCK WASHER M5			2
8	1221512	SCREW, PAN HEAD, M5×12			2
9	8310902	TUBING, ID=16MM L=40MM			1
10	8310903	TUBING, ID=12MM L=175MM			1
11	8310374	FITTING, PLASTIC			1
12	8310904	TUBING, ID=12MM L=210MM			1
13	8310905	TUBING, ID=4MM L=330MM			3
14	8310930A	DETERGENT PUMP, KIT	000204~	RS32	1
			000174~	RS26	
15	1914080	TIE, 3×80MM			19
16	8310910	TUBING, ID=4MM L=100MM			3
17	8310467	FITTING			7
18	8310909	TUBING, ID=4MM L=30MM			4
19	8310466	ONE WAY VALVE			1