



## Rider Auto Scrubber RS20

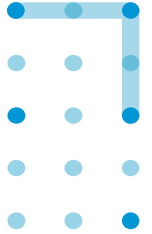


Table of Contents

SCRUB HEAD LIFTING GROUP & MAIN FRAME GROUP.....2-3

STEERING & DRIVE WHEEL GROUP.....4-6

SOLUTION TANK GROUP.....7-8

RECOVERY TANK GROUP.....9-10

RECOVERY TANK COVER GROUP.....11-12

CONTROL PANEL GROUP.....13-14

SCRUB HEAD GROUP.....15-16

SQUEEGEE LIFTING GROUP.....17-18

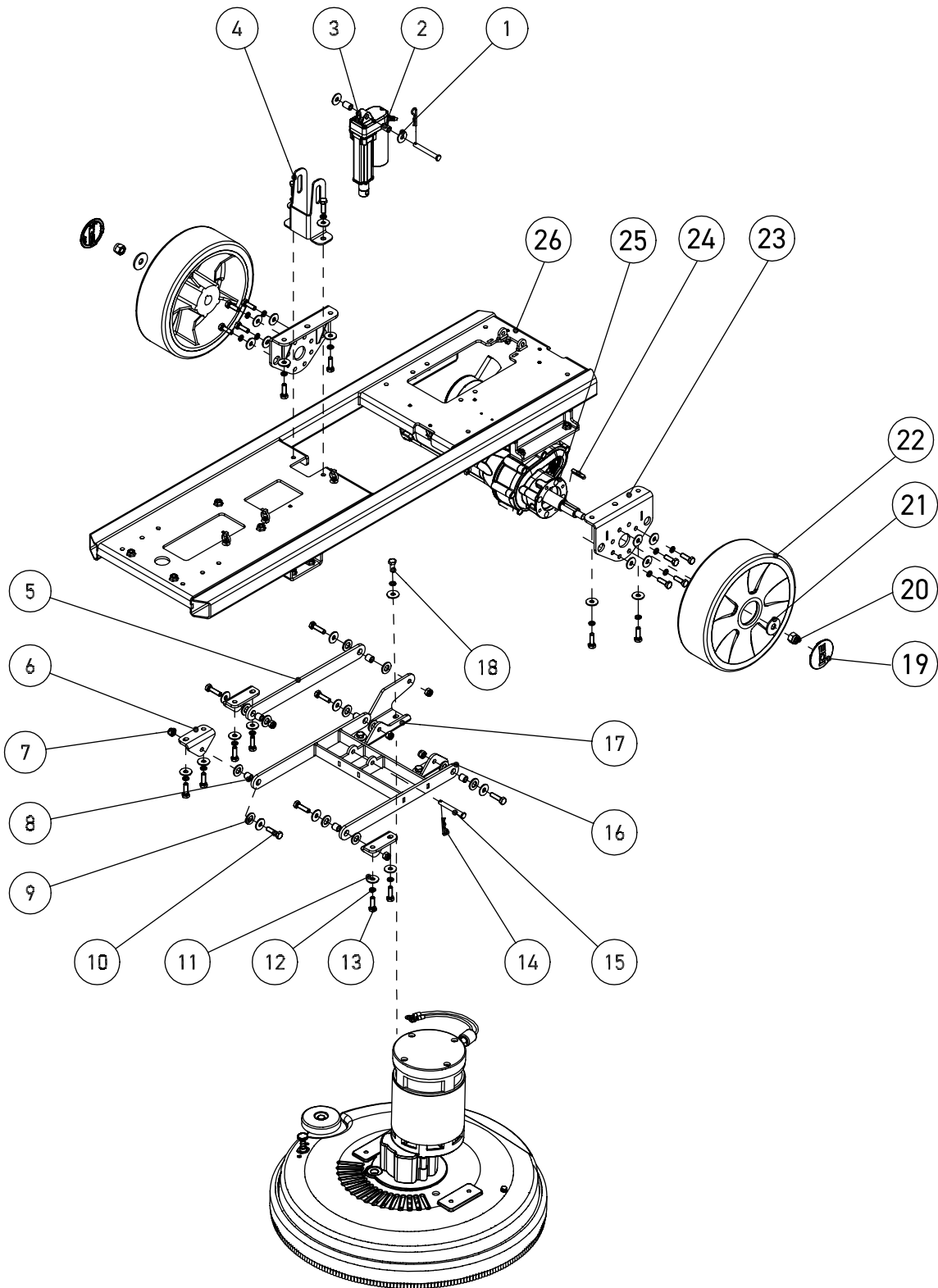
SQUEEGEE GROUP.....19-20

SOLUTION & DETERGENT SYSTEM.....21-22

WEARABLE PARTS.....23

WIRING DIAGRAM.....24

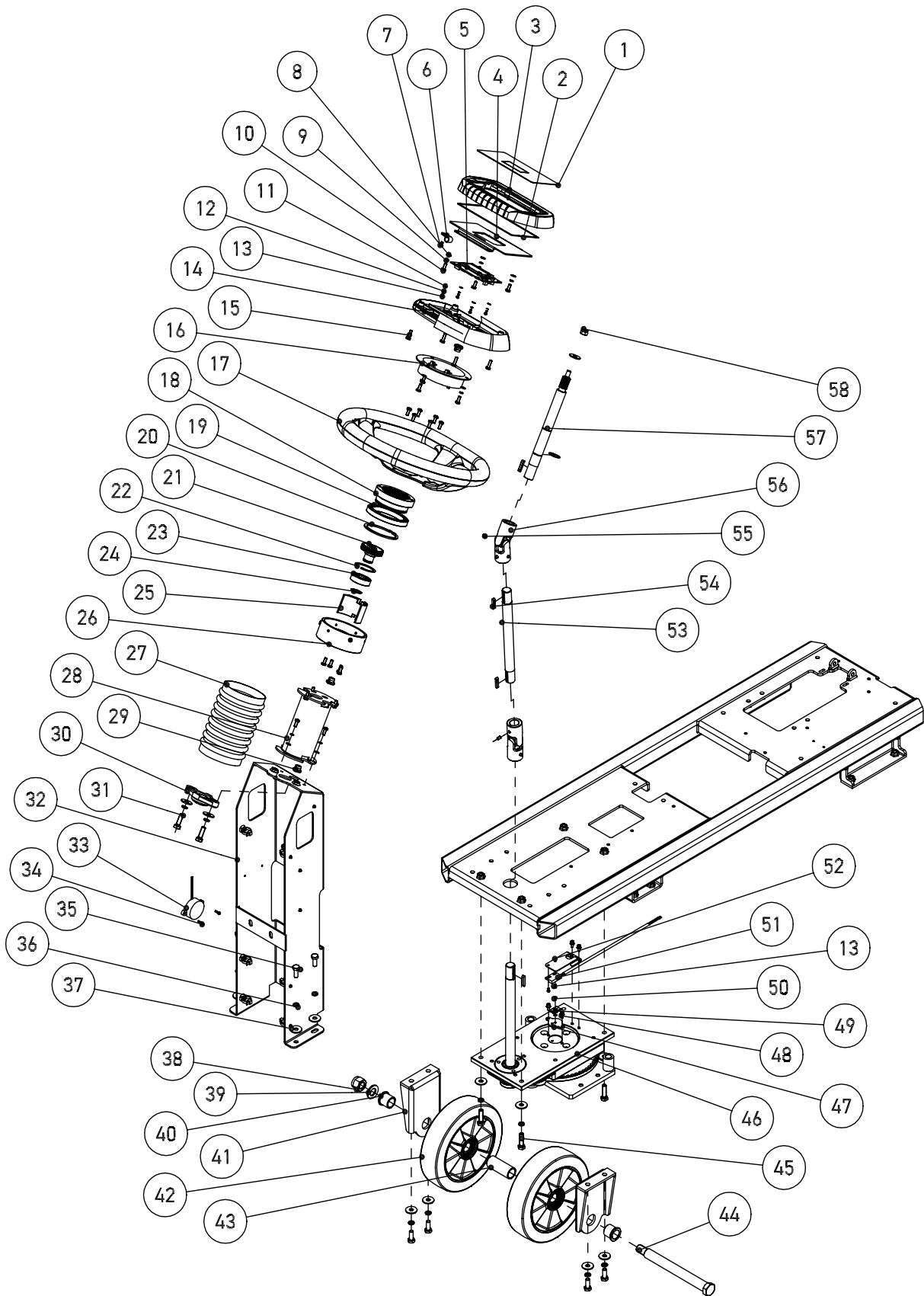
**SCRUB HEAD LIFTING GROUP & MAIN FRAME GROUP**



**SCRUB HEAD LIFTING GROUP & MAIN FRAME GROUP**

DIA No.	PART NUMBER	VER	SERIAL NUMBER	DESCRIPTION	QTY.
1	1421824	01	(100201- )	FLAT WASHER,ø8×ø24×2	2
2	8630170	01	(100201- )	AXLE SLEEVE	2
3	8630084	02	(100201- )	LINEAR MOTOR	1
4	8632071	01	(100201- )	BRACKET, ACTUATOR MOUNTING	1
5	8632097	01	(100201- )	LINKAGE PLATE	1
6	8632114	01	(100201- )	BRACKET	4
7	1123810	01	(100201- )	HEX LOCK NUT,M8	6
8	8115404	00	(100201- )	SLEEVE, ø8×ø12.7×12.7	6
9	8117007	01	(100201- )	NYLON WASHER,ø12.9×ø24×2.5	12
10	1021830	01	(100201- )	HEX BOLT,M8×30	6
11	1421824	01	(100201- )	FLAT WASHER,ø8×ø24×2	30
12	1422821	01	(100201- )	LOCK WASHER,ø8	24
13	1021825	01	(100201- )	HEX BOLT,M8×25	20
14	8310320	00	(100201- )	PIN, COTTER	2
15	8630164	01	(100201- )	PIN	2
16	8632096	01	(100201- )	BRACKET, SCRUB HEAD LIFTING	1
17	8632101	01	(100201- )	RIGHT BRACKET	1
18	1021820	01	(100201- )	HEX BOLT,M8×20	4
19	8316251	00	(100201- )	WHEEL CAP	2
20	1123115	01	(100201- )	HEX LOCK NUT,M12	2
21	1421136	01	(100201- )	FLAT WASHER,ø12×ø36×3	2
22	8631010	01	(100201- )	TRACTION WHEEL 10"	2
23	8631027	01	(100201- )	BRACKET, TRANSAXLE	2
24	1666035	01	(100201- )	KEY,6X6X35	2
25	8631028	01	(100201- )	DRIVE MOTOR ASSEMBLY	1
26	8631002	02	(100201- )	CHASSIS	1

**STEERING & DRIVE WHEEL GROUP**



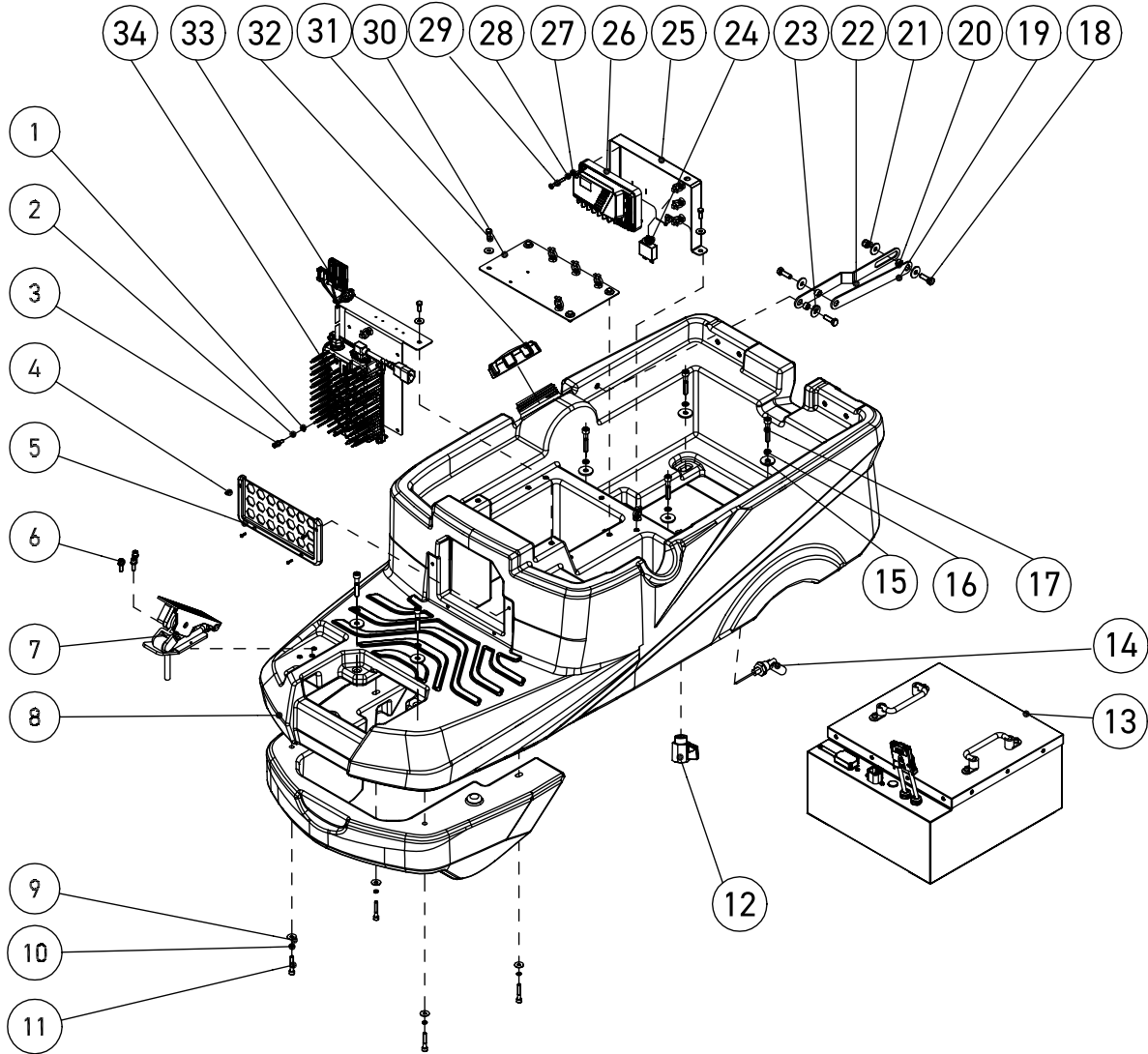
**STEERING & DRIVE WHEEL GROUP**

DIA No.	PART NUMBER	VER	SERIAL NUMBER	DESCRIPTION	QTY.
1	8631332	01	(100201- )	PANEL SWITCH	1
2	8630333	01	(100201- )	SEAL PACKING	1
3	8630335	01	(100201- )	SCREEN UP COVER	1
4	8630349	03	(100201- )	CONTROL PANEL	1
5	8639025	01	(100201- )	OLED COMPONENTS,PCB	1
6	1885121	01	(100201- )	1/8" Wire Clamp	1
7	1221406	01	(100201- )	SCREW M4X6	4
8	1421510	01	(100201- )	FLAT WASHER, $\phi 5.3 \times \phi 10 \times 1$	13
9	1422513	01	(100201- )	LOCK WASHER, $\phi 5$	13
10	1221512	01	(100201- )	PHILLIPS PAN HEAD SCREW,M5 $\times$ 12	27
11	1421307	01	(100201- )	FLAT WASHER, $\phi 3 \times \phi 7 \times 0.5$	4
12	1422300	01	(100201- )	LOCK WASHER, $\phi 3$	4
13	1221306	01	(100201- )	PHILLIPS PAN HEAD SCREW,M3 $\times$ 6	6
14	8630336	02	(100201- )	SCREEN COVER	1
15	1221516	01	(100201- )	PHILLIPS PAN HEAD SCREW,M5 $\times$ 16	4
16	8631335	01	(100201- )	BRACKET	1
17	8630395	01	(100201- )	STEERING WHEEL	1
18	8631372	01	(100201- )	GEAR, STEERING WHEEL	1
19	8631374	01	(100201- )	6814 ZZ ROLLING BEARING DUSTPRO	1
20	8631375	01	(100201- )	RETAINING,RING, $\phi 70$	1
21	8631371	01	(100201- )	GEAR, STEERING WHEEL	1
22	1437042	01	(100201- )	RETAINING RING INTERNAL $\phi 42$	1
23	8631366	01	(100201- )	BEARING	1
24	1436020	01	(100201- )	RING RETAINING	2
25	8632378	01	(100201- )	SCREEN BRACKET	1
26	8631373	02	(100201- )	MOUNTING BASE, BEARING	1
27	8631365	01	(100201- )	SLEEVE	1
28	8631377	01	(100201- )	MOUNTING SEAT,STEERING GEAR SET	1
29	7200282	00	(100201- )	BUSHING	3
30	8310609	02	(100201- )	BEARING, FLANGE	1
31	1021825	01	(100201- )	HEX BOLT,M8 $\times$ 25	2
32	8631351	02	(100201- )	STEERING WHEEL SUPPORT BRACKET	1
33	8310708A	01	(100201- )	HORN, 24VDC	1
34	1221310	01	(100201- )	PHILLIPS PAN HEAD SCREW,M3 $\times$ 10	2
35	1021820	01	(100201- )	HEX BOLT,M8 $\times$ 20	8
36	1422821	01	(100201- )	LOCK WASHER, $\phi 8$	14
37	1421824	01	(100201- )	FLAT WASHER, $\phi 8 \times \phi 24 \times 2$	15
38	1123016	01	(100201- )	HEX LOCK NUT,M16	1
39	1421230	01	(100201- )	FLAT WASHER, $\phi 16 \times 30 \times 3$	1
40	8631310	01	(100201- )	SHAFT SLEEVE	2
41	8630397	01	(100201- )	BRACKET,WHEEL AXLE	2
42	8115400	03	(100201- )	WHEEL, 8 INCH	2
43	8631311	01	(100201- )	SHAFT SLEEVE	1

**STEERING & DRIVE WHEEL GROUP**

DIA No.	PART NUMBER	VER	SERIAL NUMBER	DESCRIPTION	QTY.
44	8631309	01	(100201- )	SCREW	1
45	1021830	01	(100201- )	HEX BOLT,M8×30	4
46	8630398	01	(100022- )	SUPPORT	1
47	8630383	01	(100022- )	MAGNET LOCATING PLATE	1
48	1510410GL	01	(100022- )	SOCKET CAP SCREW,M4×10	4
49	8630382	01	(100022- )	MAGNET	1
50	1221306	01	(100022- )	PHILLIPS PAN HEAD SCREW,M3×6	1
51	8631320	01	(100022- )	ANGLE SENSOR	1
52	8630386	01	(100022- )	SENSOR MOUNT	1
53	8631325	01	(100022- )	SHAFT, STEERING WHEEL	1
54	1654025	01	(100022- )	KEY, 4.75×4.75×25.4	4
55	1534508	01	(100022- )	SOCKET SET SCREW,M5×8	4
56	8313616	01	(100022- )	U-JOINT	2
57	8631322	01	(100022- )	SHAFT, STEERING WHEEL	1
58	1123810	01	(100022- )	HEX LOCK NUT,M8	1

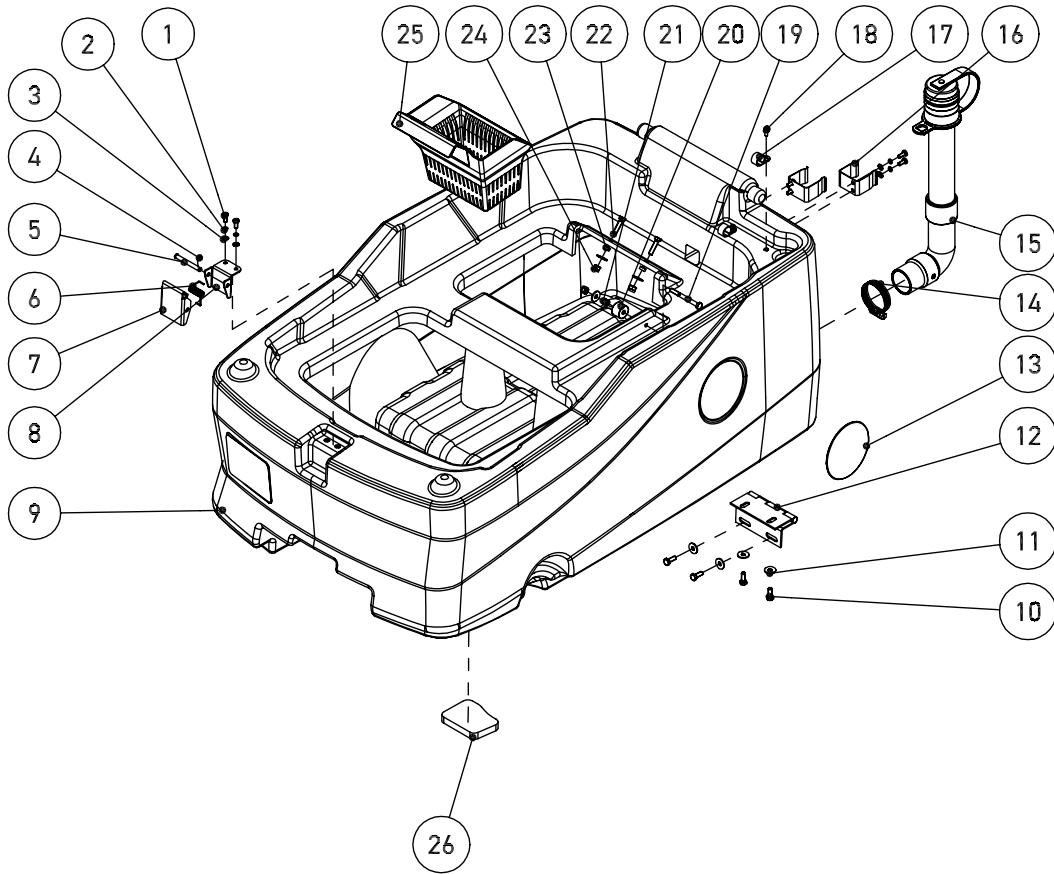
**SOLUTION TANK GROUP**



**SOLUTION TANK GROUP**

DIA No.	PART NUMBER	VER	SERIAL NUMBER	DESCRIPTION	QTY.
1	1421510	01	(100201- )	FLAT WASHER,ø5.3×ø10×1	4
2	1422513	01	(100201- )	LOCK WASHER,ø5	4
3	1521520	01	(100201- )	SOCKET CAP SCREW,M5×20	4
4	1221310	01	(100201- )	PHILLIPS PAN HEAD SCREW,M3×10	4
5	8490479	02	(100201- )	STORAGE NET	1
6	1510620GL	01	(100201- )	SOCKET CAP SCREW,M6×20	3
7	8630376	01	(100201- )	PEDAL PENAL ASSEMBLY	1
8	8631401	02	(100201- )	SOLUTION TANK	1
9	1421618	01	(100201- )	FLAT WASHER,ø6.4×ø18×1.6	13
10	1422616	01	(100201- )	LOCK WASHER,ø6	4
11	1521635	01	(100201- )	SOCKET CAP SCREW,M6×35	4
12	8119005	01	(100201- )	BALL VALVE, G1/2	1
13	9325100	01	(100201- )	LITHIUM BATTERY	1
14	8630373	02	(100201- )	SENSOR ASSEMBLY,SOLUTION TANK	1
15	1421828	01	(100201- )	FLAT WASHER,ø8×ø28×3	6
16	1422821	01	(100201- )	LOCK WASHER,ø8	6
17	1521845	01	(100201- )	SOCKET CAP SCREW,M8×45	6
18	1021825	01	(100201- )	HEX BOLT,M8×25	3
19	8630433	01	(100201- )	SUPPORT	1
20	8310225	01	(100201- )	SLEEVE, ø8.1×ø12.7×7.8	3
21	1123810	01	(100201- )	HEX LOCK NUT,M8	1
22	8630434	01	(100201- )	SUPPORT FRAME	1
23	1421824	01	(100201- )	FLAT WASHER,ø8×ø24×2	4
24	8310740	01	(100201- )	CIRCUIT BREAKER, 5AMPS	1
25	8631426	02	(100201- )	BRACKET	1
26	8639043	01	(100201- )	MAIN CONTROLLER	1
27	1421510	01	(100201- )	FLAT WASHER,ø5.3×ø10×1	4
28	1422513	01	(100201- )	LOCK WASHER,ø5	2
29	1221535	01	(100201- )	PHILLIPS PAN HEAD SCREW,M5×35	2
30	8631451	02	(100201- )	WIRING PLATE	1
31	1021616	01	(100201- )	HEX BOLT,M6×16	9
32	8310147	01	(100201- )	CAP, SOLUTION TANK	1
33	8631425	02	(100201- )	BRACKET	1
34	8160436	03	(100201- )	BATTERY CHARGER,FCH350A,FOR LITHIUM-ION BATTERIES	1

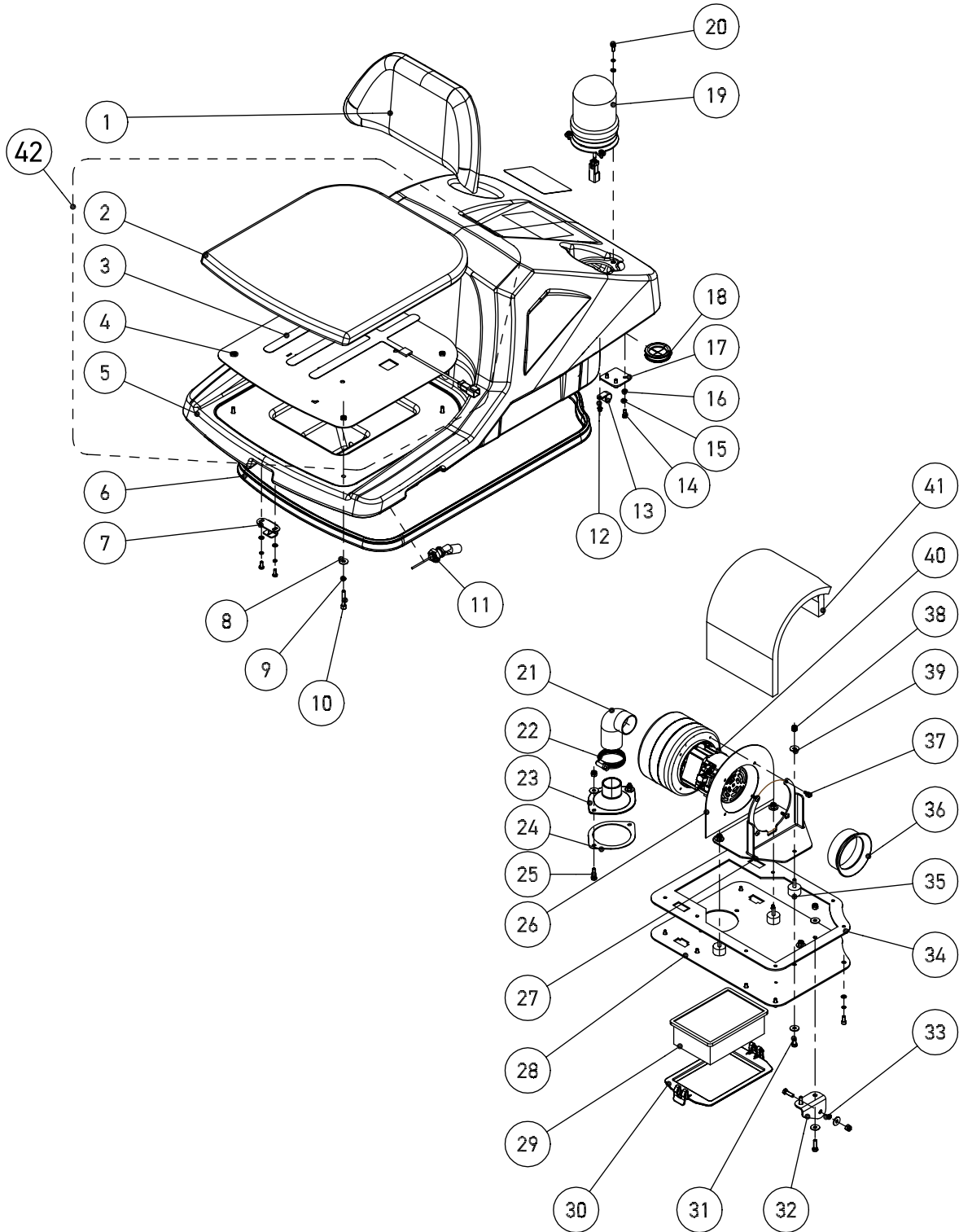
**RECOVERY TANK GROUP**



**RECOVERY TANK GROUP**

DIA No.	PART NUMBER	VER	SERIAL NUMBER	DESCRIPTION	QTY.
1	1221512	01	(100201- )	PHILLIPS PAN HEAD SCREW,M5×12	8
2	1422513	01	(100201- )	LOCK WASHER,ø5	8
3	1421510	01	(100201- )	FLAT WASHER,ø5.3×ø10×1	8
4	1439004GL	01	(100201- )	SPLIT WASHER,ø4	1
5	8630508	01	(100201- )	PIN	1
6	8630509	01	(100201- )	SPRING	1
7	8630504	01	(100201- )	HASP	1
8	8630505	01	(100201- )	BRACKET	1
9	8631503	02	(100201- )	RECOVER TANK	1
10	1021616	01	(100201- )	HEX BOLT,M6×16	8
11	1421618	01	(100201- )	FLAT WASHER,ø6.4×ø18×1.6	13
12	8111300	00	(100201- )	HINGE ASSEMBLY	2
13	8160224	01	(100201- )	LABEL LOGO	2
14	1962050	02	(100201- )	HOSE CLAMP	1
15	8631515	01	(100201- )	DRAIN HOSE	1
16	8630522	01	(100201- )	CLAMP	3
17	1885117	01	(100201- )	5/8" WIRE CLAMP	2
18	1510410GL	01	(100201- )	SOCKET CAP SCREW,M4×10	2
19	1022660	01	(100201- )	HEX BOLT,M6×60	1
20	8310236	00	(100201- )	SPACER, NYLON	1
21	8310235	02	(100201- )	SLEEVE, ø6.4×ø9.5×8	1
22	1021625	01	(100201- )	HEX BOLT,M6×25	2
23	8012008	00	(100201- )	BUSHING	2
24	1123608	01	(100201- )	HEX LOCK NUT,M6	3
25	8310250	00	(100201- )	DEBRIS, TRAY	1
26	8630526	01	(100201- )	CUSHION	1

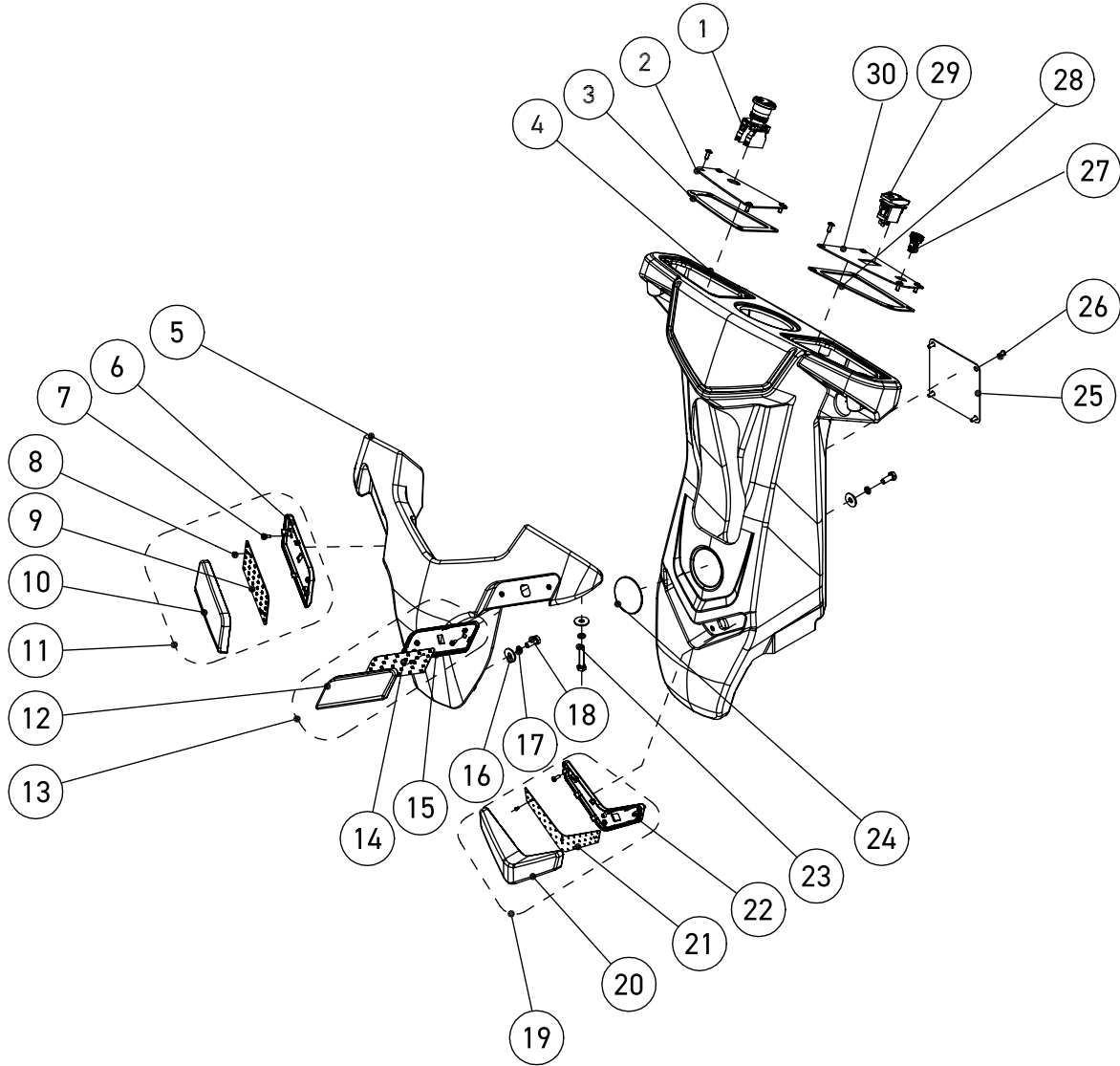
**RECOVERY TANK COVER GROUP**



**RECOVERY TANK COVER GROUP**

DIA No.	PART NUMBER	VER	SERIAL NUMBER	DESCRIPTION	QTY.
1	8630618	01	(100201- )	BACK CUSHION	1
2	8630617	02	(100201- )	CUSHION	1
3	8630635	01	(100201- )	SEA FILM SENSOR	1
4	8630636	02	(100201- )	MOUNTING PLATE	1
5	8630602	05	(100201- )	RECOVER TANK COVER	1
6	8630604	01	(100201- )	SEALING STRIP,RS20	1
7	8630507	01	(100201- )	BRACKET	1
8	1421618	01	(100201- )	FLAT WASHER,ø6.4×ø18×1.6	4
9	1422616	01	(100201- )	LOCK WASHER,ø6	4
10	1521635	01	(100201- )	SCREW, HEX SOCKET, M6 X 35	4
11	8630374	01	(100201- )	SENSOR ASSEMBLY	1
12	1510410GL	01	(100201- )	HEX SOCKET BUTTON HEAD SCREW-3	1
13	1885117	01	(100201- )	5/8" WIRE CLAMP	1
14	1521512	01	(100201- )	SOCKET HEAD, M5X12, SST	14
15	1422513	01	(100201- )	LOCK WASHER,ø5	19
16	1421510	01	(100201- )	FLAT WASHER,ø5.3×ø10×1	19
17	8630634	01	(100201- )	RETAINER, RECOVERY TANK	2
18	8630633	01	(100201- )	BUSHING	2
19	8630639	01	(100201- )	CAUTION LIGHT ASSEMBLY	1
20	1221512	01	(100201- )	SCREW, PAN HEAD, M5X12	5
21	8630622	01	(100201- )	HOLLOW THROAT	1
22	1962050	02	(100201- )	HOSE CLAMP	2
23	8310204	00	(100201- )	ADAPTER, VACUUM HOSE	1
24	8310205	01	(100201- )	GASKET, ADAPTER	1
25	1021620	01	(100201- )	HEX HEAD BOLT, M6 ×20	5
26	8630619	01	(100201- )	ORIFICE PLATE	1
27	8630606	01	(100201- )	MOUNTING PLATE	1
28	8631603	01	(100201- )	COVER BOARD	1
29	8320237	00	(100201- )	FILTER, DUST	1
30	8230211	01	(100201- )	BRACKET,FILTER	1
31	1021610	01	(100201- )	BOLT, HEX HEAD, M6×10	3
32	8630671	01	(100201- )	MOUNTING BRACKET,RECOVERY TANK COVER	1
33	8310231	02	(100201- )	SLEEVE,ø6.4×ø9.5×4	1
34	8630616	01	(100201- )	SEAL	1
35	8310208	02	(100201- )	ISOLATER, M6	3
36	8630605	01	(100201- )	MAT	1
37	1311316	01	(100201- )	SCREW, PH,ST4.8 X 16	4
38	1123608	01	(100201- )	LOCK NUT M6	8
39	1421618	01	(100201- )	FLAT WASHER,ø6.4×ø18×1.6	13
40	8310210	02	(100201- )	VACUUM MOTOR, 3 STAGE	1
41	8630620	01	(100201- )	SOUNDPROOF SPONGE	1
42	8630641	01	(100201- )	SEAT CUSHION ASSEMBLY	1

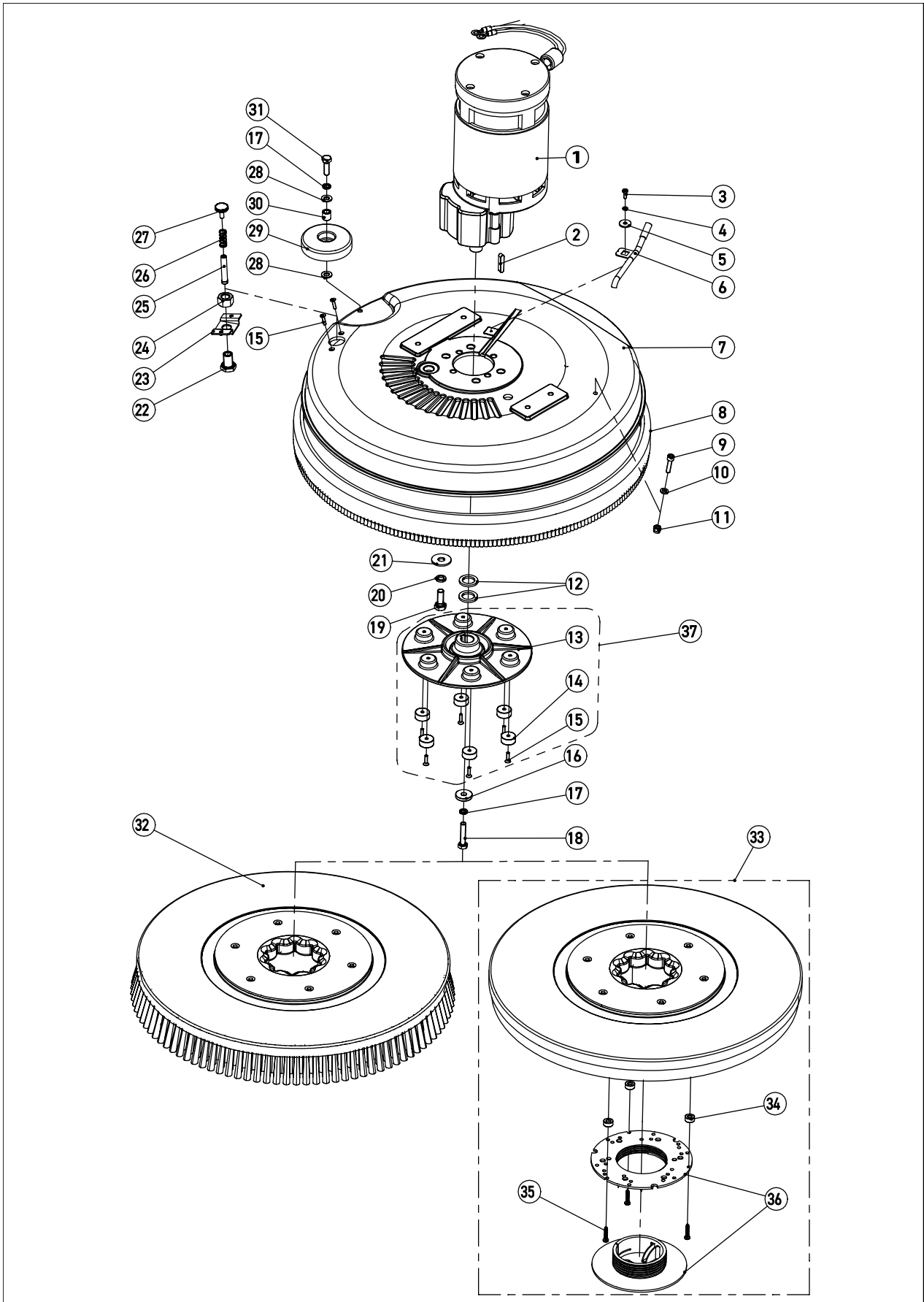
**CONTROL PANEL GROUP**



**CONTROL PANEL GROUP**

DIA No.	PART NUMBER	VER	SERIAL NUMBER	DESCRIPTION	QTY.
1	8310707	02	(100201- )	EMERGENCY STOP SWITCH	1
2	8630347	02	(100201- )	RIGHT CONTROL PANEL	1
3	8630371	01	(100201- )	RIGHT SEALING	1
4	8630361	04	(100201- )	CONTROL BOX	1
5	8630363	03	(100201- )	FRONT FACIA	1
6	8630312	02	(100201- )	RIGHT LAMP BASE	1
7	1221412	01	(100201- )	PHILLIPS PAN HEAD SCREW,M4×12	7
8	1311006	01	(100201- )	PHILLIPS PAN HEAD SCREW,ST3.0×6.0	7
9	8639006A	01	(100201- )	RIGHT EYE LAMP PANEL,PCB	1
10	8630314	01	(100201- )	RIGHT LAMPSHADE	1
11	8630316	01	(100201- )	RIGHT LIGHT ASSEMBLY	1
12	8630313	01	(100201- )	LEFT LAMPSHADE	1
13	8630315	01	(100201- )	LEFT LIGHT ASSEMBLY	1
14	8639005A	01	(100201- )	LEFT EYE LAMP PANEL,PCB	1
15	8630311	02	(100201- )	LEFT LAMP BASE	1
16	1421824	01	(100201- )	FLAT WASHER,ø8×ø24×2	7
17	1422821	01	(100201- )	LOCK WASHER,ø8	7
18	1021820	01	(100201- )	HEX BOLT,M8×20	5
19	8630319	01	(100201- )	V LIGHT ASSEMBLY	1
20	8630318	01	(100201- )	V-SHAPED LAMP COVER	1
21	8639009A	01	(100201- )	V LAMP PANEL,PCB	1
22	8630317	02	(100201- )	BASE, LED LIGHT	1
23	1021835	01	(100201- )	HEX BOLT,M8×35	2
24	8631535	01	(100201- )	LABEL LOGO	1
25	8630329	01	(100201- )	COVER PLATE	1
26	1514512	01	(100201- )	SOCKET BUTTON HEAD SCREW,WITH WASHER,M5×12	12
27	8310706A	01	(100201- )	KEY SWITCH, KIT	1
28	8630372	01	(100201- )	LEFT SEALING	1
29	8631348	01	(100201- )	SWITCH,FORWARD BACKWARD	1
30	8631346	01	(100201- )	LEFT CONTROL PANEL	1

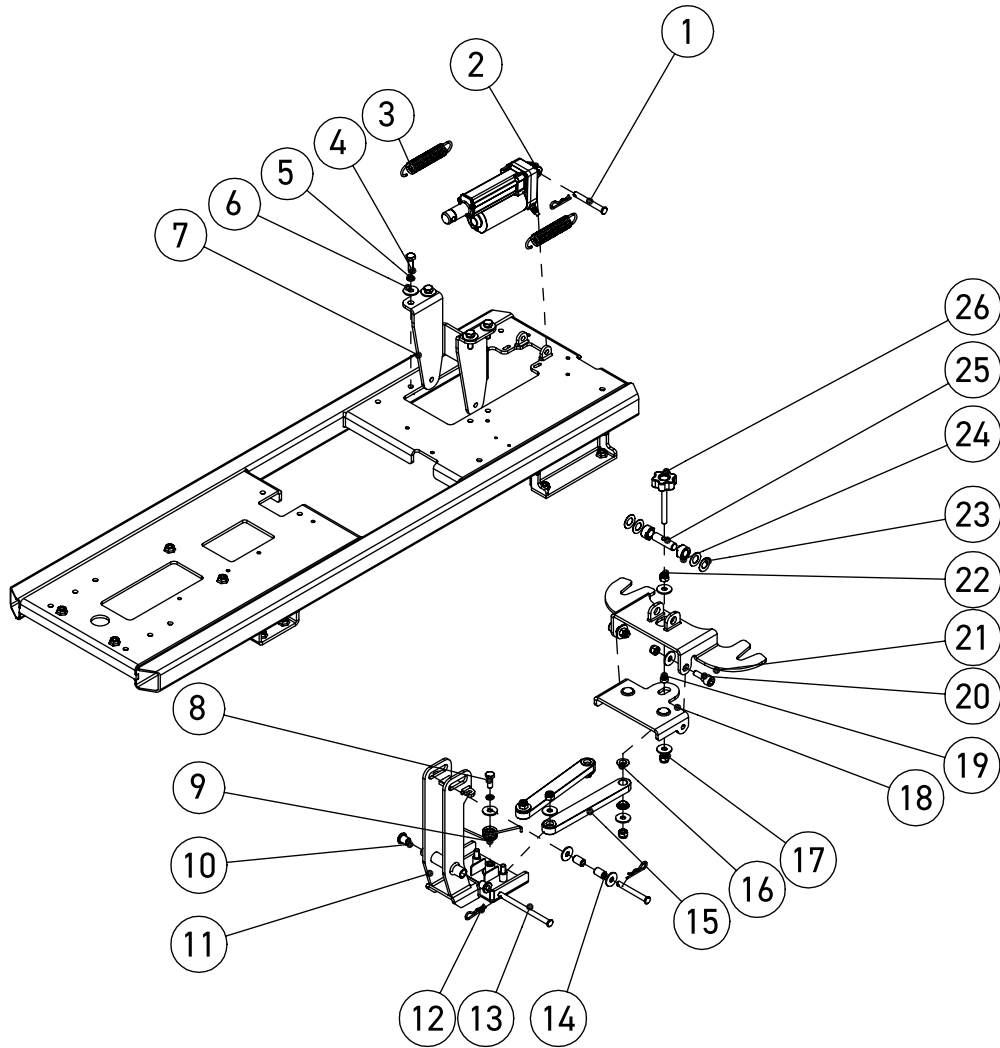
**SCRUB HEAD GROUP**



## PARTS LIST

### SCRUB HEAD GROUP

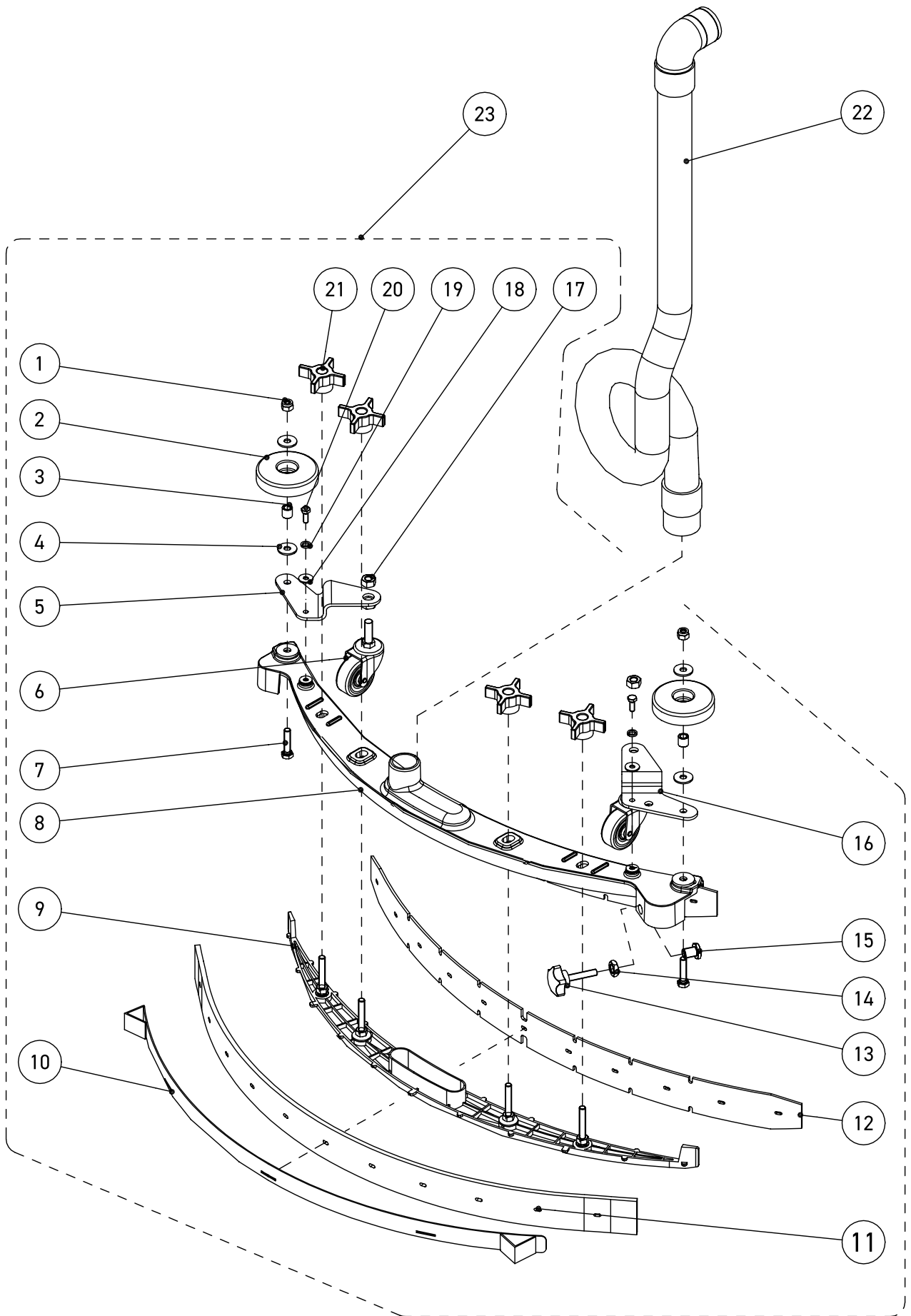
DIA No.	PART NUMBER	VER	SERIAL NUMBER	DESCRIPTION	QTY.
1	8631118	01	(100201- )	SCRUB HEAD HOUSING	1
	8116601	01	(100201- )	CARBON BRUSH,MOTOR	2
2	1656433	01	(100201- )	KEY 6.35×6.35×32	1
3	1221412	01	(100201- )	SCREW M4×12	1
4	1422513	01	(100201- )	LOCK WASHER,ø5	3
5	1421518	01	(100201- )	FLAT WASHER,ø5×ø18×2,SS	1
6	8116100	01	(100201- )	WATER SUPPLY TUBE	1
7	8116006	00	(100201- )	SCRUB HEAD HOUSING	1
8	8116020	02	(100201- )	BUMPER, SCRUB HEAD	1
9	1521625	01	(100201- )	SCREW,M6 X 25,HEX SOCKET	1
10	1421612	01	(100201- )	FLAT WASHER,ø6Xø12×1.6	1
11	1123608	01	(100201- )	LOCK NUT M6	1
12	8116001	00	(100201- )	SPACER	2
13	8630122	01	(100201- )	BRUSH PLATE HOLDER KIT	1
14	8630113	01	(100201- )	MAGNET	6
15	1513416GL	01	(100201- )	HEX SOCKET SCREW,M4X16	8
16	8116010	00	(100201- )	FLAT WASHER,ø8.5×ø25.4×4.5	1
17	1422821	01	(100201- )	LOCK WASHER,ø8	2
18	1023815	01	(100201- )	HEX BOLT 5/16-18 ×1.5" UNC	1
19	1023010	01	(100201- )	HEX BOLT 3/8-16 ×1" UNC	4
20	1422026	01	(100201- )	LOCK WASHER,ø10	4
21	1421030	01	(100201- )	FLAT WASHER,ø10×ø30×2.5	4
22	8116205	02	(100201- )	SCREW M14 × 20	1
23	8631107	01	(100201- )	BRACKET	1
24	1121913	01	(100201- )	HEX NUT M14	1
25	8630106	01	(100201- )	PIN	1
26	8116204	00	(100201- )	SRPING	1
27	8116210	01	(100201- )	KNOB M6	1
28	1421824	01	(100201- )	FLAT WASHER,ø8×ø24×2	2
29	8116009	00	(100201- )	BLUE,PP	1
30	8115404	00	(100201- )	SLEEVE, Φ8×Φ12.7×12.7	1
31	1021825	01	(100201- )	BOLT, HEX HEAD, M8X25	1
32	9052020	01	(100022- )	20" BRUSH,0.7mm PP,MAGNET	1
	9052020E	01	(100022- )	20" BRUSH,0.5mm PP,MAGNET (OPTIONAL)	1
	9052020P	01	(100022- )	20" BRUSH,0.5mm PA66,MAGNET (OPTIONAL)	1
33	9042020	02	(100201- )	19" PAD DRIVER,MAGNET	1
	9042020K	01	(100201- )	19" PAD DRIVER,MAGNET	1
34	8116040	01	(100201- )	SPACER	3
35	1321325	01	(100201- )	SELF-TAPPING SCREW,ST5×25	3
36	9000001	01	(100201- )	BIG MOUTH	1
	9000003	01	(100201- )	CENTER-LOK 3 (OPTIONAL)	1
37	8630122A	01	(100201- )	BRUSH PLATE HOLDER KIT	1

**SQUEEGEE LIFTING GROUP**

**SQUEEGEE LIFTING GROUP**

DIA No.	PART NUMBER	VER	SERIAL NUMBER	DESCRIPTION	QTY.
1	8630164	01	(100201- )	PIN	2
2	8630084	02	(100201- )	LINEAR MOTOR	1
3	8630154	04	(100201- )	SPRING	2
4	1021825	01	(100201- )	HEX BOLT,M8×25	4
5	1422821	01	(100201- )	LOCK WASHER,ø8	9
6	1421824	01	(100201- )	FLAT WASHER,ø8×ø24×2	15
7	8631151	01	(100201- )	BRACKET, SQUEEGEE LIFTING	1
8	1021820	01	(100201- )	HEX BOLT,M8×20	5
9	8630169	01	(100201- )	TORSION SPRING	1
10	8630168	01	(100201- )	STEP SLEEVE	2
11	8631162	01	(100201- )	BRACKET	1
12	8310320	00	(100201- )	PIN, COTTER	3
13	8630153	01	(100201- )	PIN	1
14	8630170	01	(100201- )	AXLE SLEEVE	2
15	8631174	01	(100201- )	TURN BRACKET	2
16	8630172	01	(100201- )	AXLE HOUSING	8
17	1113810	01	(100201- )	HEX LOCK NUT,M8	3
18	8631167	01	(100201- )	BRACKET	1
19	8211508	00	(100201- )	BUSHING	1
20	8211504	00	(100201- )	SHOULDER SCREW,M8	2
21	8631163	01	(100201- )	BRACKET	1
22	1123810	01	(100201- )	HEX LOCK NUT,M8	1
23	1435013	01	(100201- )	WAVE WASHER,ø13×ø24×0.5	4
24	8118085	02	(100201- )	SPACER	2
25	8211506	00	(100201- )	SHAFT	1
26	8701002	00	(100201- )	KNOB,M8X70	1

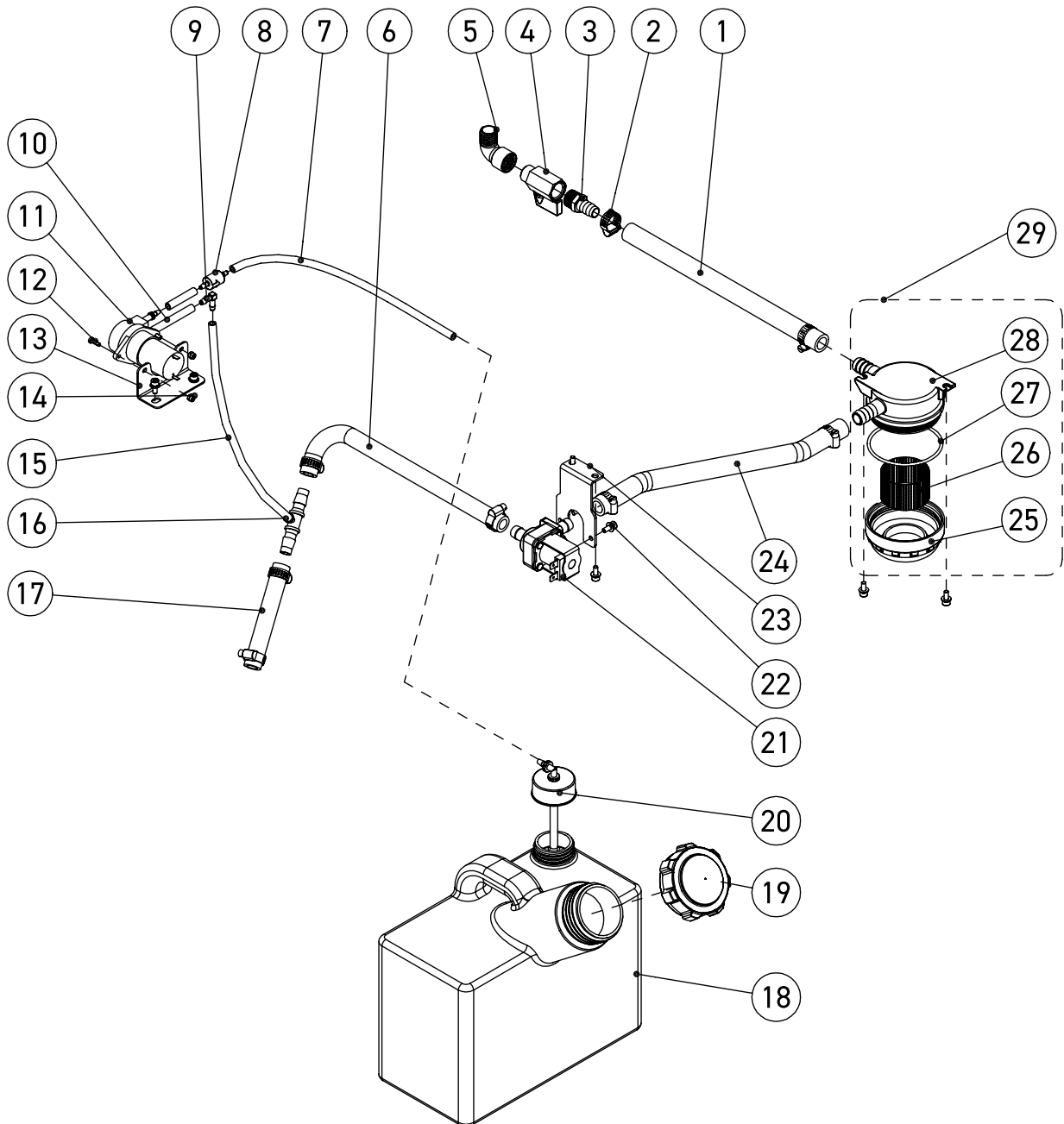
**SQUEEGEE GROUP**



**SQUEEGEE GROUP**

DIA No.	PART NUMBER	VER	SERIAL NUMBER	DESCRIPTION	QTY.
1	1123810	01	(100201- )	HEX LOCK NUT,M8	2
2	8116009	00	(100201- )	BLUE,PP	2
3	8115404	00	(100201- )	SLEEVE, ø8×ø12.7×12.7	2
4	1421824	01	(100201- )	FLAT WASHER,ø8×ø24×2	6
5	8118300	01	(100201- )	LEFT BRACKET	1
6	8158007	01	(100201- )	CASTER, 2 INCH	2
7	1021835	01	(100201- )	HEX BOLT,M8×35	2
8	8158001	01	(100201- )	SQUEEGEE HOUSING	1
9	8158002	01	(100201- )	RETAINER	1
10	8158005	01	(100201- )	CLAMP, REAR	1
11	8158015	01	(100201- )	REAR BLADE, RED, LINATEX	1
	8158115	01	(100201- )	REAR BLADE, BLUE, PU	1
12	8118054	01	(100201- )	FRONT BLADE, RED, LINATEX	1
	8118154	01	(100201- )	FRONT BLADE, BLUE, PU	1
13	8158010	01	(100201- )	STAR SCREW	1
14	1121206	01	(100201- )	NUT, M12	1
15	8158016	01	(100201- )	BOLT	1
16	8118200	01	(100201- )	RIGHT BRACKET	1
17	1121008	01	(100201- )	HEX NUT M10	2
18	1421618	01	(100201- )	FLAT WASHER,ø6.4×ø18×1.6	2
19	1422821	01	(100201- )	LOCK WASHER,ø8	6
20	1021616	01	(100201- )	HEX BOLT,M6×16	2
21	8158013	01	(100201- )	STAR KNOB M8	4
22	8630519	01	(100201- )	VACUUM HOSE	1
23	8158020	01	(100201- )	SQUEEGEE,ASSEMBLY	1

**SOLUTION & DETERGENT SYSTEM**



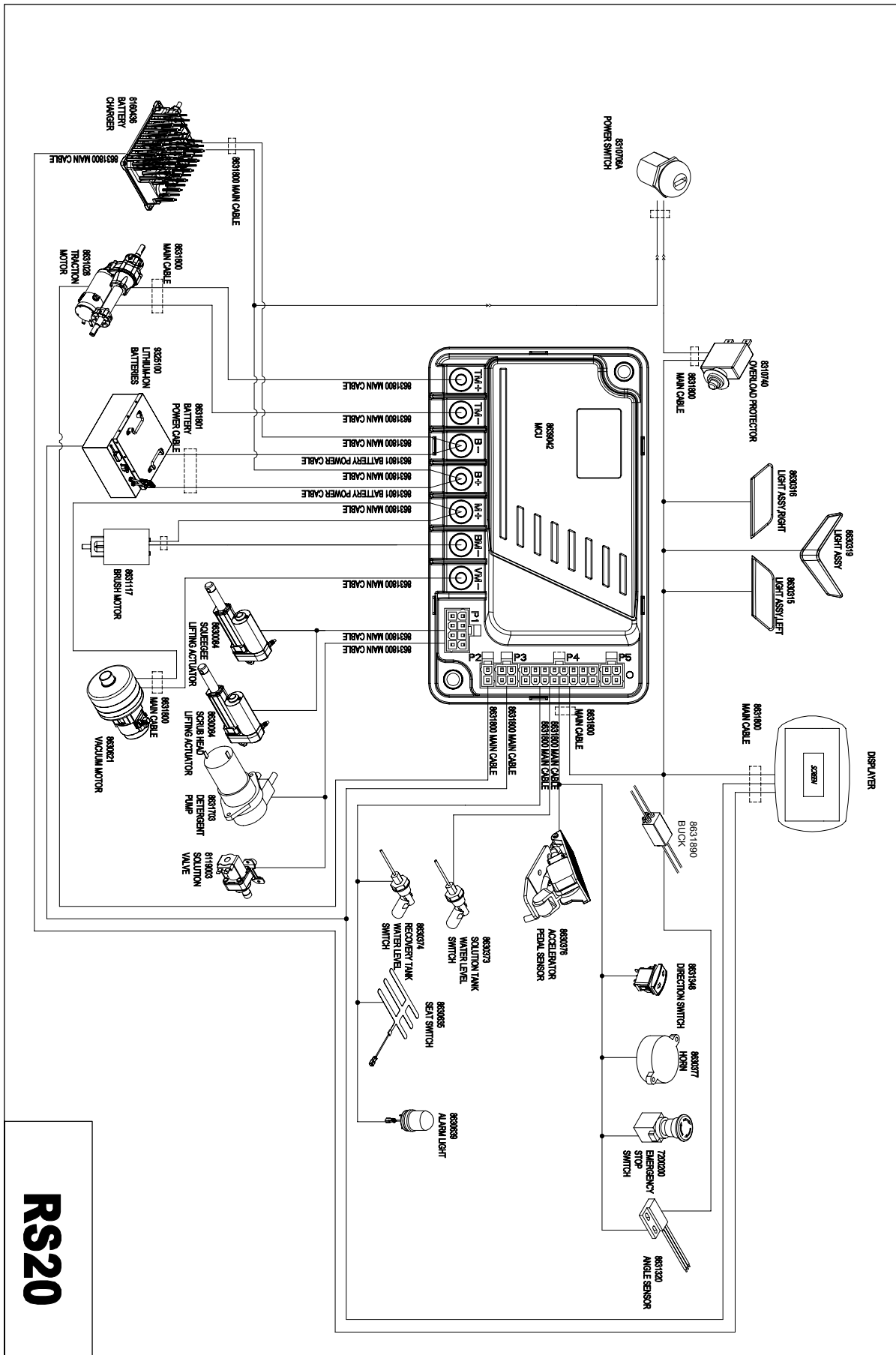
**SOLUTION & DETERGENT SYSTEM**

DIA No.	PART NUMBER	VER	SERIAL NUMBER	DESCRIPTION	QTY.
1	8701038	01	(100201- )	TUBING, ID=12MM,L=250MM	1
2	1962016	01	(100201- )	CLAMP,HOSE 3/8"	1
3	8013007	01	(100201- )	TUBING FITTING	8
4	8018006	01	(100201- )	BALL VALVE	1
5	8013006	01	(100201- )	ELBOW	1
6	8160311	01	(100201- )	TUBING ID=12MM,L=325MM	1
7	8310905	01	(100201- )	TUBING, ID=4MM L=350MM	1
8	8310466	01	(100201- )	ONE WAY VALVE	1
9	8310467	01	(100201- )	FITTING	1
10	8630444	01	(100201- )	TUBING,ID= 4MM L=80MM	1
11	8631703	01	(100201- )	PUMP ASSEMBLY	1
12	1221310	01	(100201- )	PHILLIPS PAN HEAD SCREW,M3×10	2
13	8320911	01	(100201- )	BRACKET,CHEMICAL PUMP	1
14	1123305	01	(100201- )	HEX LOCK NUT,M3	2
15	8310905	01	(100201- )	TUBING, ID=4MM L=350MM	1
16	8600139	01	(100201- )	TEE BARB	1
17	8701040	01	(100201- )	TUBING, ID=12MM,L=60MM	1
18	8630422	01	(100201- )	DETERGENT BOTTLE	1
19	8310462	01	(100201- )	CAP, BOTTLE	1
20	8630453	01	(100201- )	DETERGENT CONNECTOR ASSEMBLY	1
21	8119003	01	(100201- )	SOLENOID VALVE, 24VDC	1
22	1510410GL	01	(100201- )	SOCKET CAP SCREW,M4×10	6
23	8631429	01	(100201- )	MOUNTING PLATE	1
24	8160311	01	(100201- )	TUBING ID=12MM,L=325MM	1
25	8119102	01	(100201- )	CAP,FILTER	1
26	8119104	01	(100201- )	SCREEN,FILTER	1
27	1623660	01	(100201- )	O-RING,FILTER	1
28	8119101	01	(100201- )	BASE,FILTER	1
29	8119200	01	(100201- )	FILTER ASSEMBLY	1

**WEARABLE PARTS**

DIA No.	PART NUMBER	VER	SERIAL NUMBER	DESCRIPTION	QTY.
1	8631010	01	(100201- )	10" WHEEL, PU TIRE	2
2	8115400	01	(100201- )	8" WHEEL	2
3	8116009	01	(100201- )	PROTECTIVE WHEEL	3
4	8158015	01	(100201- )	REAR BLADE, RED, LINATEX	1
	8158115	01	(100201- )	REAR BLADE, BLUE, PU	
5	8118054	01	(100201- )	FRONT BLADE, RED, LINATEX	1
	8118154	01	(100201- )	FRONT BLADE, BLUE, PU	
6	9052020	01	(100201- )	BRUSH,20 INCH,0.7mm PP,BLACK	1
	9052020E	01	(100201- )	BRUSH,20 INCH,0.5mm PP,BLUE	1
	9052020P	01	(100201- )	BRUSH,20 INCH,0.5mm PA66,WHITE	1
7	9042020	01	(100201- )	PAD DRIVER,20INCH,BIG MOUTH	1
	9042020K	01	(100201- )	PAD DRIVER,20INCH,#3 CENTER-LOK	1

# WIRING DIAGRAM



**RS20**