

## Rider Auto Scrubber RS20



Table of Contents

SCRUB HEAD LIFTING GROUP & MAIN FRAME GROUP.....2-3

STEERING & DRIVE WHEEL GROUP.....4-6

SOLUTION TANK GROUP.....7-9

RECOVERY TANK GROUP.....10-11

RECOVERY TANK COVER GROUP.....12-13

CONTROL PANEL GROUP.....14-15

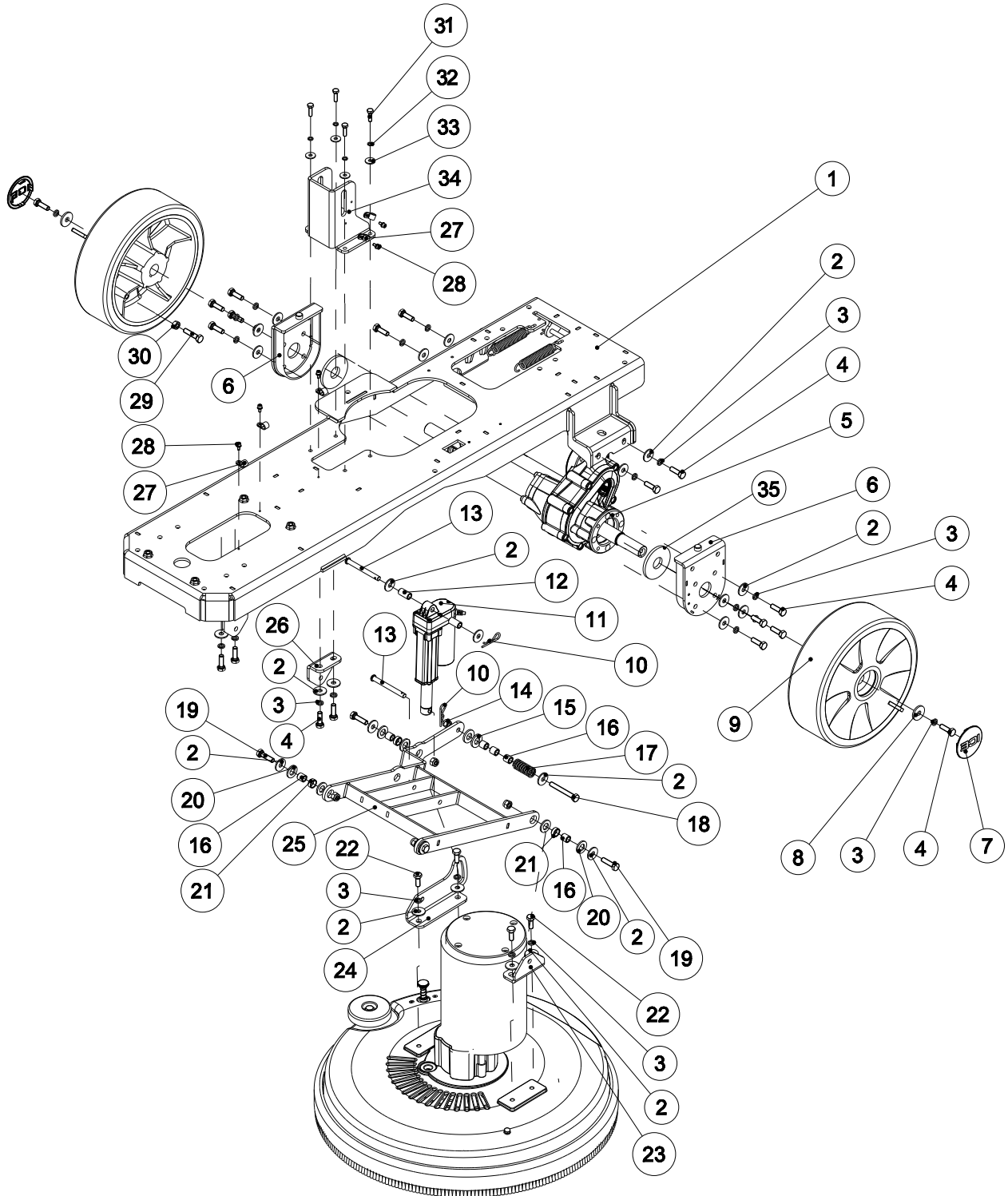
SCRUB HEAD GROUP.....16-17

SQUEEGEE GROUP.....18-20

SOLUTION & DETERGENT SYSTEM.....21-22

WIRING DIAGRAM.....23

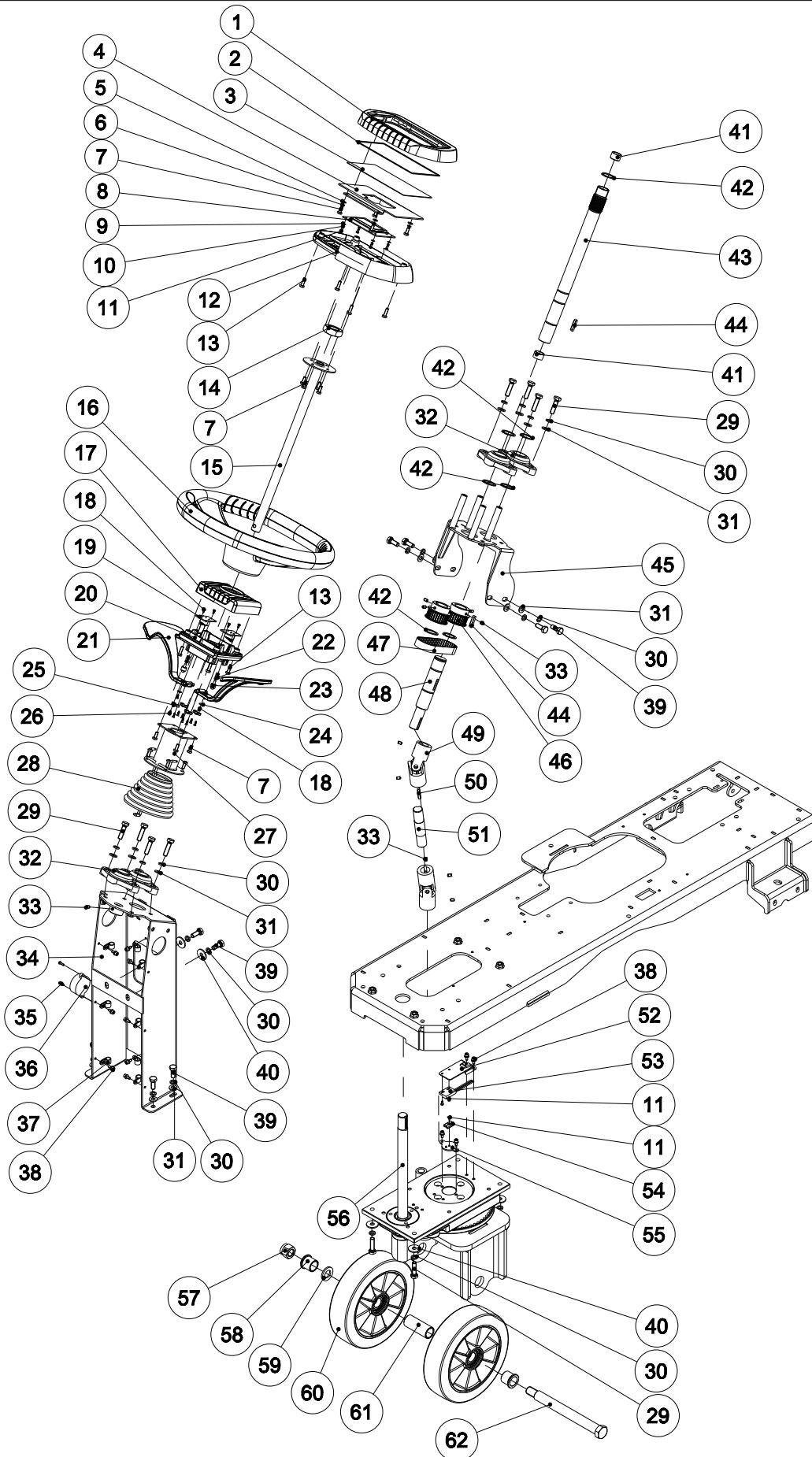
SCRUB HEAD LIFTING GROUP & MAIN FRAME GROUP



### SCRUB HEAD LIFTING GROUP & MAIN FRAME GROUP

DIA No.	PART NUMBER	VER	SERIAL NUMBER	DESCRIPTION	QTY.
1	8630002	02	(100005-	) MAIN FRAME, WELDED	1
2	1421824	01	(100000-	) FLAT WASHER, M8× $\phi$ 24×2.0	27
3	1422821	01	(100000-	) LOCK WASHER M8	20
4	1021830	01	(100000-	) BOLT, HEX, M8×30	16
5	8630026A	02	(100005-	) DRIVE MOTOR	1
6	8630027	02	(100005-	) BRACKET, TRANSAXLE	2
7	8316251	00	(100000-	) WHEEL CAP	2
8	1421840	01	(100000-	) FLAT WASHER, M8× $\phi$ 40×3	2
9	8630010	01	(100000-	) 10"WHEEL	2
10	8310320	00	(100000-	) PIN, COTTER	2
11	8630084	01	(100000-	) LINEAR, ACTUATOR	1
12	8630073	01	(100000-	) SLEEVE	2
13	8630171	01	(100000-	) PIN	2
14	1123810	01	(100000-	) LOCK NUT, M8	5
15	8113109	00	(100005-	) BEARING, THRUST	2
16	8115404	00	(100005-	) BEARING, JOURNAL	7
17	8117008	00	(100005-	) SPRING	1
18	1022860	01	(100005-	) BOLT, HEX, M8×60	1
19	1021830	01	(100005-	) BOLT, HEX HEAD, M8×30	4
20	8117007	01	(100005-	) NYLON WASHER $\phi$ 12.9× $\phi$ 24×2.5	8
21	8115405	01	(100005-	) SLEEVE, P/M	4
22	1021820	01	(100000-	) BOLT, HEX HEAD, M8×20	4
23	8117002	00	(100005-	) LEFT BRACKET	1
24	8631101	01	(100005-	) LEFT BRACKET	1
25	8631096	01	(100005-	) BRACKET, SCRUB HEAD LIFTING	1
26	8631114	01	(100005-	) BRACKET	2
27	1885116	02	(100000-	) 3/4" Wire Clamp	4
28	1510410GL	01	(100000-	) HEX SOCKET BUTTON HEAD SCREW	4
29	1021835	01	(100000-	) BOLT, HEX HEAD, M8×35	1
30	1121807	01	(100000-	) NUT, M8	1
31	1021620	01	(100000-	) SCREW, HEX HEAD, M6×20	4
32	1422616	01	(100000-	) LOCK WASHER, M6	4
33	1421618	01	(100000-	) FLAT WASHER, M6× 18×1.6	4
34	8631071	01	(100005-	) BRACKET,ACTUATOR MOUNTING	1
35	1421229	01	(000000-	) FLAT WASHER, M23× $\phi$ 39×3	2

STEERING & DRIVE WHEEL GROUP



## STEERING &amp; DRIVE WHEEL GROUP

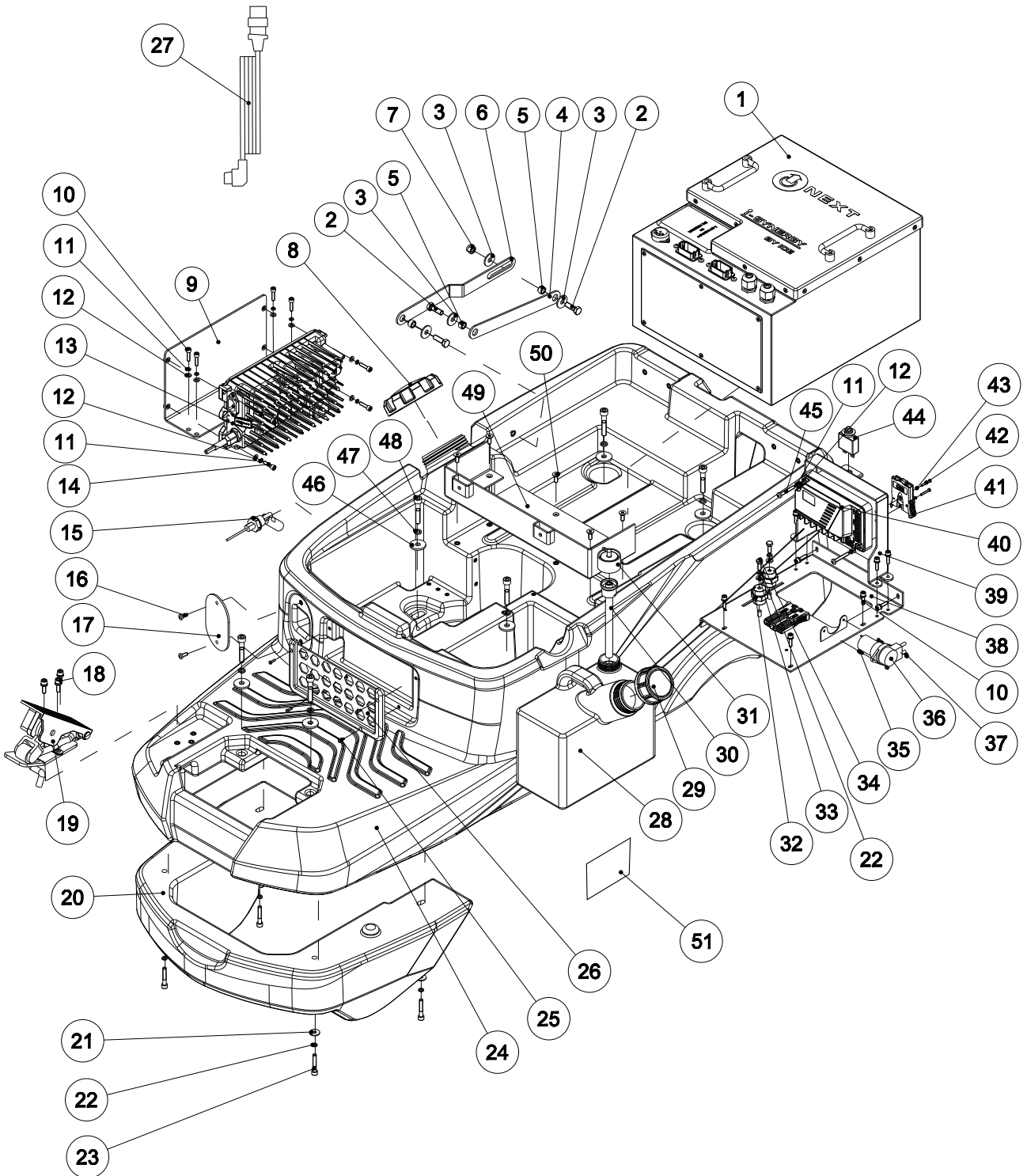
DIA No.	PART NUMBER	VER	SERIAL NUMBER	DESCRIPTION	QTY.
1	8630335	01	(100000-	) COVER, SCREEN	1
2	8630333	01	(100000-	) SEAL	1
3	8630332	01	(100000-	) DECAL, TOUCH SCREEN PANEL	1
4	8630349	02	(100000-	) MOUNTING PLATE	1
5	1421510	01	(100000-	) FLAT WASHER, M5× $\phi$ 10×1.0	4
6	1422513	01	(100000-	) LOCK WASHER, M5	4
7	1221512	01	(100000-	) SCREW, PAN HEAD, M5×12	12
8	8639017	01	(100000-	) SCREEN	1
9	1421307	01	(100000-	) FLAT WASHER, M3× $\phi$ 7×0.5	4
10	1434300	01	(100000-	) LOCK WASHER, M3	4
11	1221306	01	(100000-	) SCREW, PAN HEAD, M3×6	6
12	8630336	01	(100000-	) SEAT, SCREEN	1
13	1221516	01	(100000-	) SCREW, PAN HEAD, M5×16	8
14	8630326	02	(100005-	) NUT, M24*1.5	1
15	8630323	01	(100000-	) TUBE WITH FLANGE	1
16	8630342	01	(100000-	) STEERING WHEEL	1
17	8630337	01	(100000-	) JUST COVER	1
18	1321006GL	01	(100000-	) SCREW, ST3x6	6
19	8639000	01	(100000-	) HORN SWITCH	2
20	8630338	01	(100000-	) SEAT COVER	1
21	8630340	01	(100000-	) HORN LEVER	2
22	8630341	01	(100000-	) COMPRESSION SPRING	2
23	8630369	01	(100000-	) THIMBLE	2
24	1411309	01	(100000-	) FLAT WASHER, M3× $\phi$ 9×1.0	2
25	8630368	01	(100000-	) CLIP	4
26	1312310	01	(100000-	) SCREW,ST2.9×9.5	8
27	8630321	01	(100000-	) SUPPORT FRAME	1
28	8630365	01	(100000-	) TELESCOPIC SLEEVE	1
29	1021830	01	(100000-	) BOLT, HEX HEAD, M8×30	12
30	1422821	01	(100000-	) LOCK WASHER, M8	22
31	1421816	01	(100000-	) FLAT WASHER, M8× $\phi$ 16×1.6	16
32	8313609	01	(100000-	) FLANGE BEARING, PLASTIC	4
	8323609	01			
33	1534508	01	(100000-	) SET SCREW, M5 ×8	13
34	8630351	01	(100000-	) MOUNTING PLATE	1
35	1221310	01	(100000-	) SCREW, PAN HEAD, M3×10	2
36	8310708	01	(100000-	) HORN	1
37	1885103	00	(100000-	) CLIP	8
38	1510410GL	01	(100000-	) HEX SOCKET BUTTON HEAD SCREW	16
39	1021820	01	(100000-	) BOLT, HEX HEAD,M8×20	10
40	1421824	01	(100000-	) FLAT WASHER, M8× $\phi$ 24×2.0	6
41	8630327	01	(100000-	) SLEEVE	2
42	1436025	01	(100000-	) RETAINING RING, 25MM	7

## PARTS LIST

### STEERING & DRIVE WHEEL GROUP

DIA No.	PART NUMBER	VER	SERIAL NUMBER	DESCRIPTION	QTY.
43	8630322	02	(100005-	SHAFT , PULLEY	1
44	1655025	01	(100000-	KEY, 5×5×25	3
45	8630352	02	(100000-	SUPPORT FRAME	1
46	8313606	00	(100000-	PULLEY	2
47	8313607	00	(100000-	BELT	1
48	8630324	01	(100000-	SHAFT , PULLEY	1
49	8313616	01	(100000-	U-JOINT	2
50	1654025	01	(100000-	KEY, 4.75×4.75×25.4	4
51	8630325	01	(100000-	STEERING AXLE	1
52	8630386	01	(100000-	SENSOR BRACKET	1
53	8630375	01	(100000-	SENSOR	1
54	8630382	01	(100000-	MAGNET	1
55	8630383	01	(100000-	MAGNETIC MOUNTING PLATE	1
56	8630381	01	(100000-	STEER-CONTROL ASSEMBLY	1
57	1123016	01	(100000-	NUT LOCK M16	1
58	8631310	01	(100000-	SHAFT SLEEVE	2
59	1421230	01	(100000-	FLAT WASHER, $\phi 16 \times \phi 30 \times 3.0$	1
60	8115200	02	(100000-	WHEEL, 8 INCH	2
61	8631311	01	(100000-	SHAFT SLEEVE	1
62	8631309	01	(100000-	SCREW	1

SOLUTION TANK GROUP



## PARTS LIST

### SOLUTION TANK GROUP

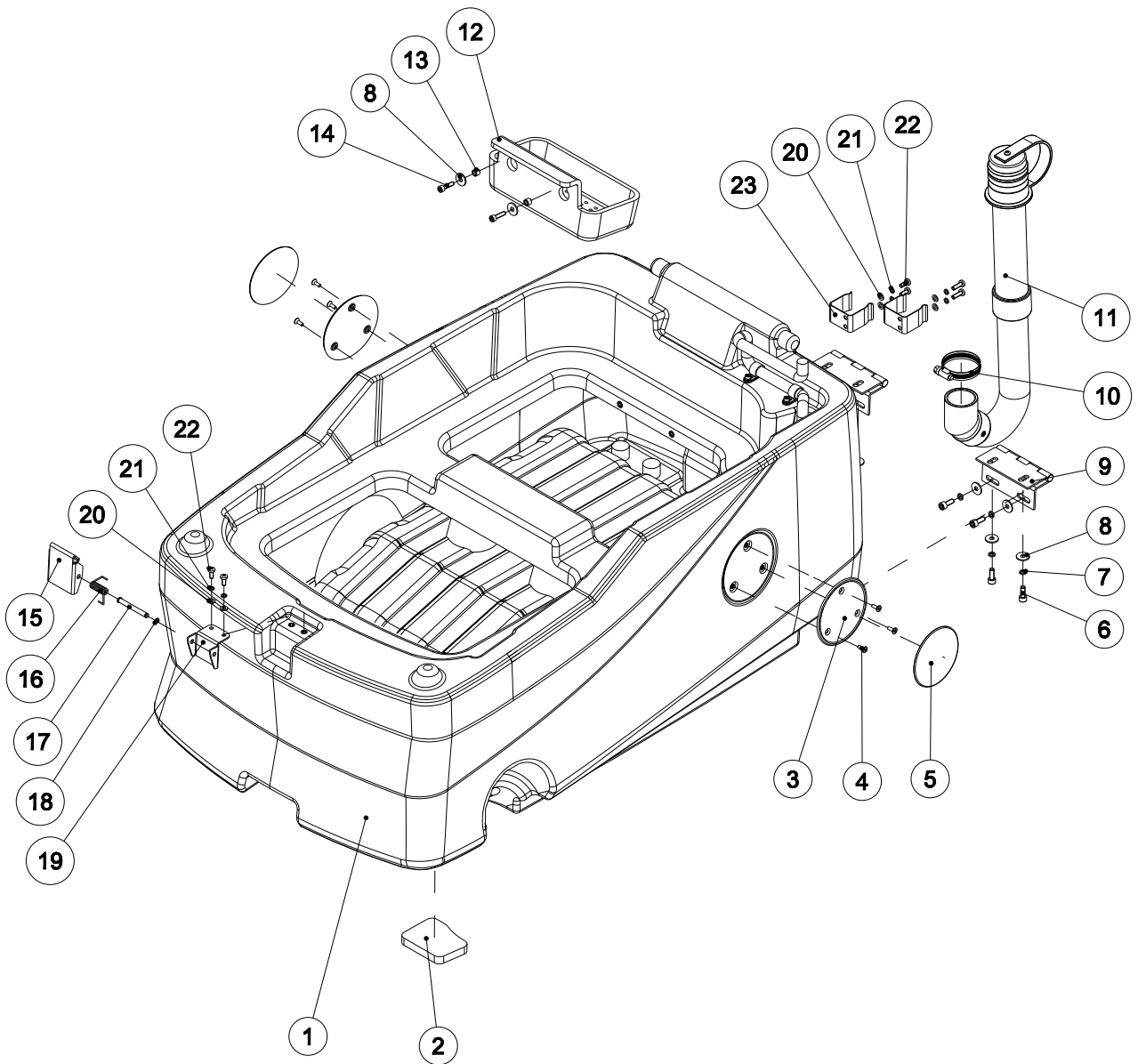
DIA No.	PART NUMBER	VER	SERIAL NUMBER	DESCRIPTION	QTY.
1	N240200	01	(100000-	LITHIUM BATTERY, 24VDC 120AH	1
2	1021825	01	(100000-	BOLT, HEX HEAD, M8×25	3
3	1421824	01	(100000-	FLAT WASHER, M8× $\phi$ 24×2.0	4
4	8630433	01	(100000-	SUPPORT	1
5	8310225	01	(100000-	SLEEVE, $\phi$ 8.1× $\phi$ 12.7×7.8	3
6	8630434	01	(100000-	SUPPORT	1
7	1123810	01	(100000-	LOCK NUT, M8	1
8	8310125	01	(100000-	CAP, SOLUTION TANK	1
9	8630421	01	(100000-100052)	BRACKET	1
	8630427	01	(100052-	BRACKET	1
10	1521520	01	(100000-	SCREW, HEX SOCKET, M5×20	13
11	1422513	01	(100000-	LOCK WASHER, M5	9
12	1421510	01	(100000-	FLAT WASHER, M5× $\phi$ 10×1.0	9
13	7000183	06	(100000-100052)	LI BATTERY CHARGER	1
	8630030	01	(100052-	BATTERY CHARGER,FCH350	1
14	1221516	01	(100000-	SCREW, PAN HEAD, M5×16	4
15	8630373	01	(100000-	SOLUTION SENSING SWITCH	1
16	1221512	01	(100000-	SCREW, PAN HEAD, M5×12	2
17	8210114	00	(100000-	COVER, CHARGING STATUS	1
18	1510620GL	01	(100000-	HEX SOCKET BUTTON HEAD SCREW	3
19	8630376	01	(100000-	ACCELERATOR PEDAL	1
20	8630402	01	(100000-	FRONT COVER	1
21	1421618	01	(100000-	FLAT WASHER, M6× $\phi$ 18×1.6	4
22	1422616	01	(100000-	LOCK WASHER, M6	6
23	1521635	01	(100000-	SCREW, HEX SOCKET, M6×35	4
24	8630401	02	(100005-	SOLUTION TANK	1
25	1221310	01	(100000-	SCREW, PAN HEAD, M3×10	4
26	8490479	01	(100000-	CARGO MESH	1
27	8112030	03	(100000-	POWER CORD, BATTERY CHARGER, KIT, US	1
28	8630422	01	(100000-	DETERGENT TANK	1
29	8310462	01	(100000-	CAP, BOTTLE	1
30	8310464	00	(100000-	INSERT TUBE	1
31	8310463	00	(100000-	CAP ADAPTER	1
32	8114705	00	(100000-	INSULATOR	2
33	1421612	01	(100000-	FLAT WASHER, M6× $\phi$ 12×1.6	2
34	1021616	01	(100000-	SCREW, HEX HEAD, M6×16	2
35	1221310	01	(100000-	SCREW, PAN HEAD, M3×10	2
36	8320910	01	(100000-	PUMP, CHEMICAL	1
37	1123305	01	(100000-	NUT LOCK M3	2
38	8630425	02	(100000-	BRACKET	1
39	8630426	03	(100005-	BRACKET	1
40	8639030	01	(100005-	MAIN CONTROLLER	1

---

SOLUTION TANK GROUP

DIA No.	PART NUMBER	VER	SERIAL NUMBER	DESCRIPTION	QTY.
41	8134750	00	(100000- )	CONNECTOR	1
42	1211325	01	(100000- )	SCREW, PAN HEAD, M3×25	2
43	1434300	01	(100000- )	LOCK WASHER	2
44	8310740	01	(100000- )	CIRCUIT BREAKER	1
45	1221535	01	(100000- )	SCREW, PAN HEAD, M5×35	2
46	1421828	01	(100000- )	FLAT WASHER, M8× $\phi$ 28×2.0	6
47	1422821	01	(100000- )	LOCK WASHER, M8	6
48	1521845	01	(100000- )	SCREW, HEX SOCKET, M8×45	6
49	8630424	02	(100000- )	BRACKET	1
50	1513616GL	00	(100000- )	SCREW, HEX SOCKET, M6×16	5
51	8630915	01	(100000- )	WARNING LABEL	1

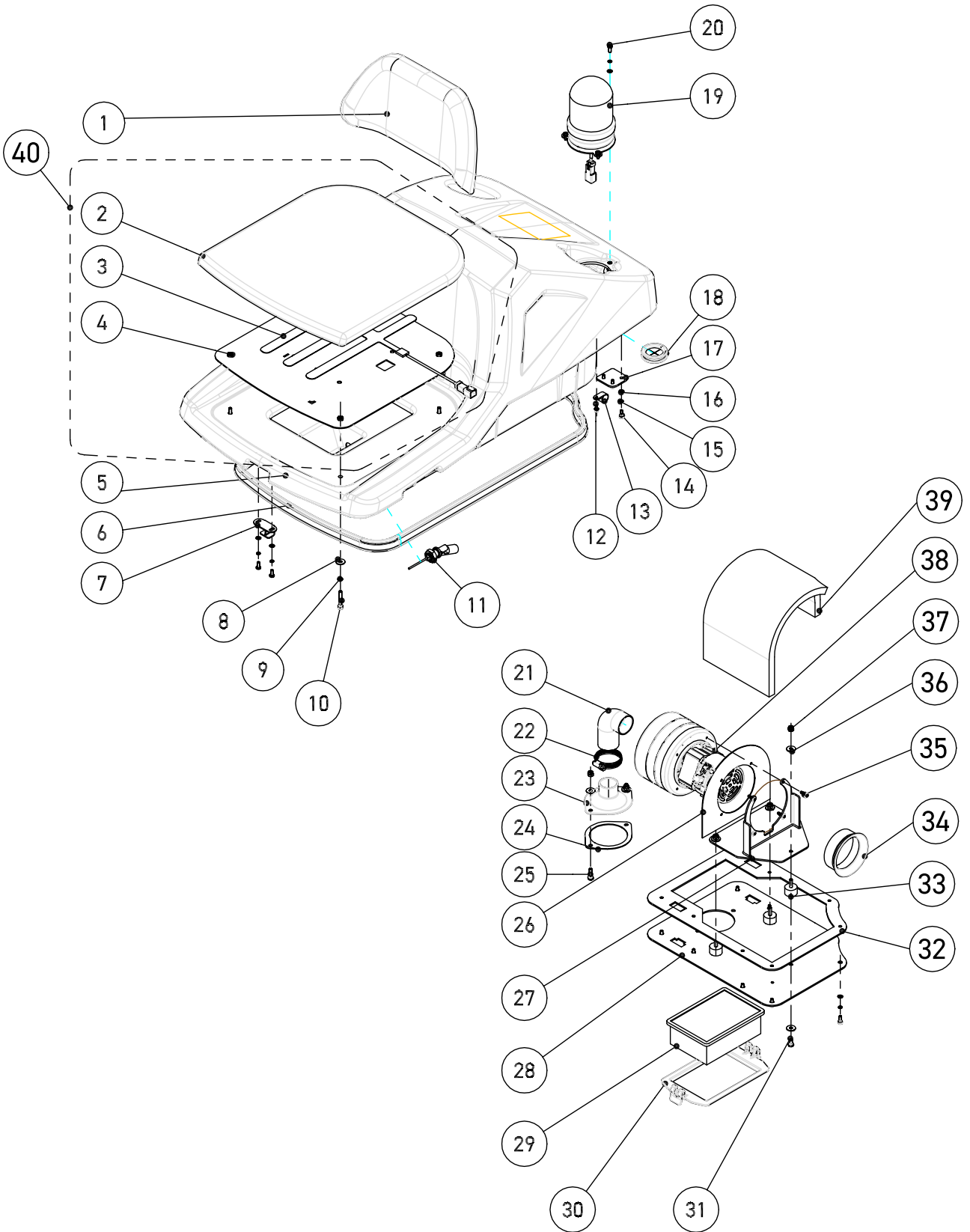
RECOVERY TANK GROUP



RECOVERY TANK GROUP

DIA No.	PART NUMBER	VER	SERIAL NUMBER	DESCRIPTION	QTY.
1	8630503	01	(100000- )	RECOVERY TANK	1
2	8630526	01	(100000- )	PAD	1
3	8630531	01	(100000- )	PEDESTAL	2
4	1222410	01	(100000- )	SCREW, SOCKET, M4×10	6
5	8630532	01	(100000- )	LOGO	2
6	1521616	01	(100000- )	SCREW, HEX SOCKET, M6×16	8
7	1422616	01	(100000- )	LOCK WASHER, M6	8
8	1421618	01	(100000- )	FLAT WASHER, M6×φ18×1.6	10
9	8111300	01	(100000- )	HINGE ASSEMBLY	2
10	1962050	02	(100000- )	CLAMP, 2 INCH	1
11	8630515	01	(100000- )	DRAIN HOSE	1
12	8630520	01	(100000- )	BASKET-DEBRIS TRAY	1
13	8630521	02	(100005- )	SLEEVE, φ9× φ5.2×7.8	2
14	1521520	01	(100000- )	SCREW, HEX SOCKET, M5×20	2
15	8630504	01	(100000- )	LATCH	1
16	8630509	01	(100000- )	SPRING	1
17	8630508	01	(100000- )	PIN	1
18	1439004GL	01	(100000- )	E-RING	1
19	8630505	01	(100000- )	BRACKET	1
20	1421510	01	(100000- )	FLAT WASHER, M5×φ10×1.0	6
21	1422513	01	(100000- )	LOCK WASHER, M5	6
22	1221512	01	(100000- )	SCREW, PAN HEAD, M5×12	6
23	8630522	01	(100000- )	CLAMP	2

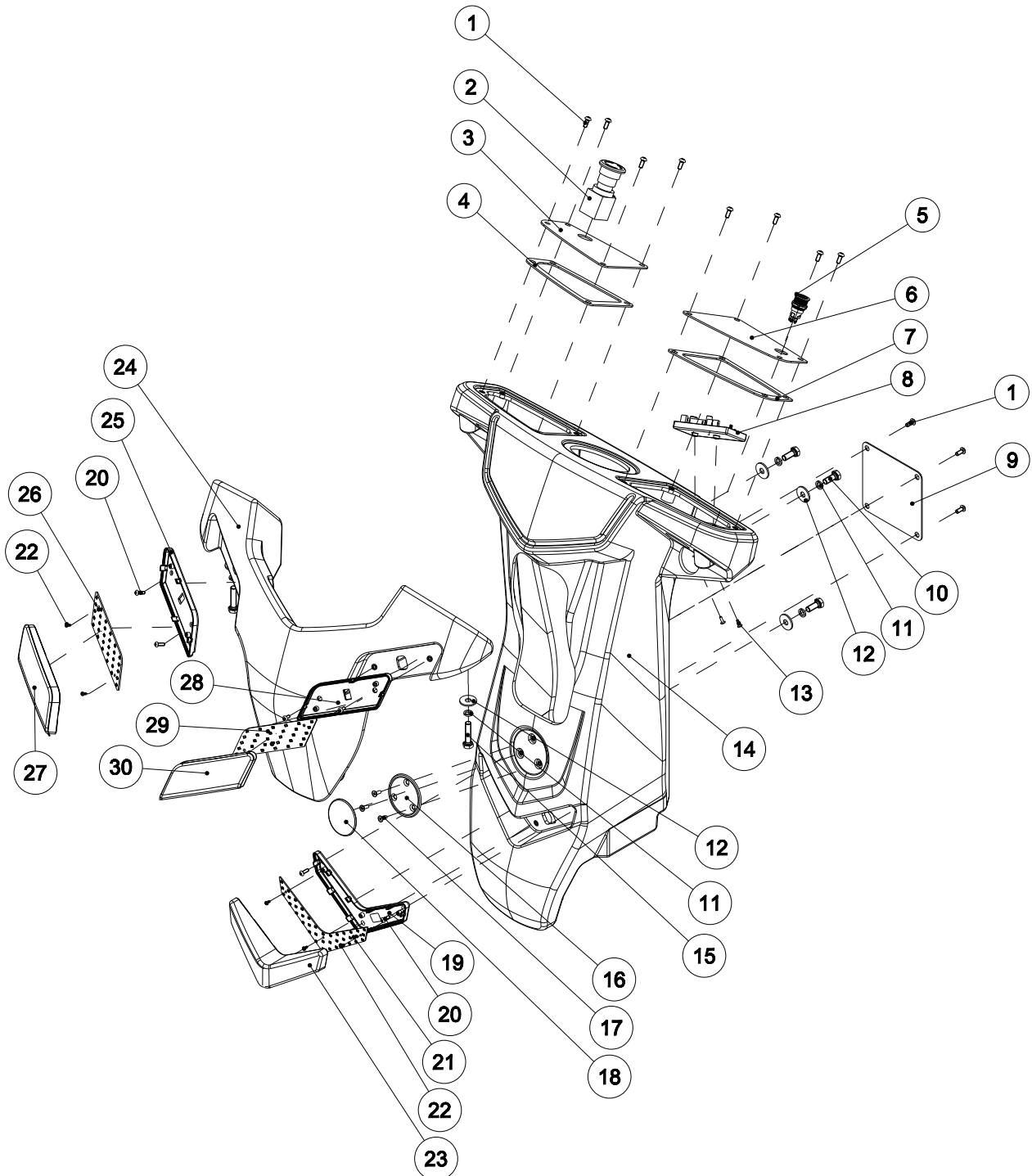
RECOVERY TANK COVER GROUP



## RECOVERY TANK COVER GROUP

DIA No.	PART NUMBER	VER	SERIAL NUMBER	DESCRIPTION	QTY.
1	8630618	01	(100000-	) BACK CUSHION	1
2	8630617	02	(100000-	) CUSHION	1
3	8630635	01	(100000-	) SEA FILM SENSOR	1
4	8630636	02	(100000-	) MOUNTING PLATE	1
5	8630602	05	(100000-	) RECOVER TANK COVER	1
6	8630604	01	(100000-	) SEALING STRIP,RS20	1
7	8630507	01	(100000-	) BRACKET	1
8	1421618	01	(100000-	) FLAT WASHER,Ø6.4×Ø18×1.6	4
9	1422616	01	(100000-	) LOCK WASHER,Ø6	4
10	1521635	01	(100000-	) SCREW, HEX SOCKET, M6 X 35	4
11	8310238	01	(100000-	) SENSOR, SOLUTION LEVEL	1
12	1510410GL	01	(100000-	) HEX SOCKET BUTTON HEAD SCREW-3	1
13	1885117	01	(100000-	) 5/8" WIRE CLAMP	1
14	1521512	01	(100000-	) SOCKET HEAD, M5X12, SST	14
15	1422513	01	(100000-	) LOCK WASHER,Ø5	19
16	1421510	01	(100000-	) FLAT WASHER,Ø5.3×Ø10×1	19
17	8630634	01	(100000-	) RETAINER, RECOVERY TANK	2
18	8630633	01	(100000-	) BUSHING	2
19	8630639	01	(100000-	) CAUTION LIGHT ASSEMBLY	1
20	1221512	01	(100000-	) SCREW, PAN HEAD, M5X12	5
21	8630622	01	(100000-	) HOLLOW THROAT	1
22	1962050	02	(100000-	) HOSE CLAMP	2
23	8310204	00	(100000-	) ADAPTER, VACUUM HOSE	1
24	8310205	01	(100000-	) GASKET, ADAPTER	1
25	1021620	01	(100000-	) HEX HEAD BOLT, M6 ×20	5
26	8630619	01	(100000-	) ORIFICE PLATE	1
27	8630606	01	(100000-	) MOUNTING PLATE	1
28	8631603	01	(100000-	) COVER BOARD	1
29	8320237	00	(100000-	) FILTER, DUST	1
30	8230210	01	(100000-	) BRACKET,FILTER	1
31	1021610	01	(100000-	) BOLT, HEX HEAD, M6×10	3
32	8630616	01	(100000-	) SEAL	1
33	8310208	02	(100000-	) ISOLATER, M6	3
34	8630605	01	(100000-	) MAT	1
35	1311316	01	(100000-	) SCREW, PH,ST4.8 X 16	4
36	1123608	01	(100000-	) LOCK NUT M6	8
37	1421618	01	(100000-	) FLAT WASHER,Ø6.4×Ø18×1.6	13
38	8310210	02	(100000-	) VACUUM MOTOR, 3 STAGE	1
39	8630620	01	(100000-	) SOUNDPROOF SPONGE	1
40	8630641	01	(100000-	) SEAT CUSHION ASSEMBLY	1

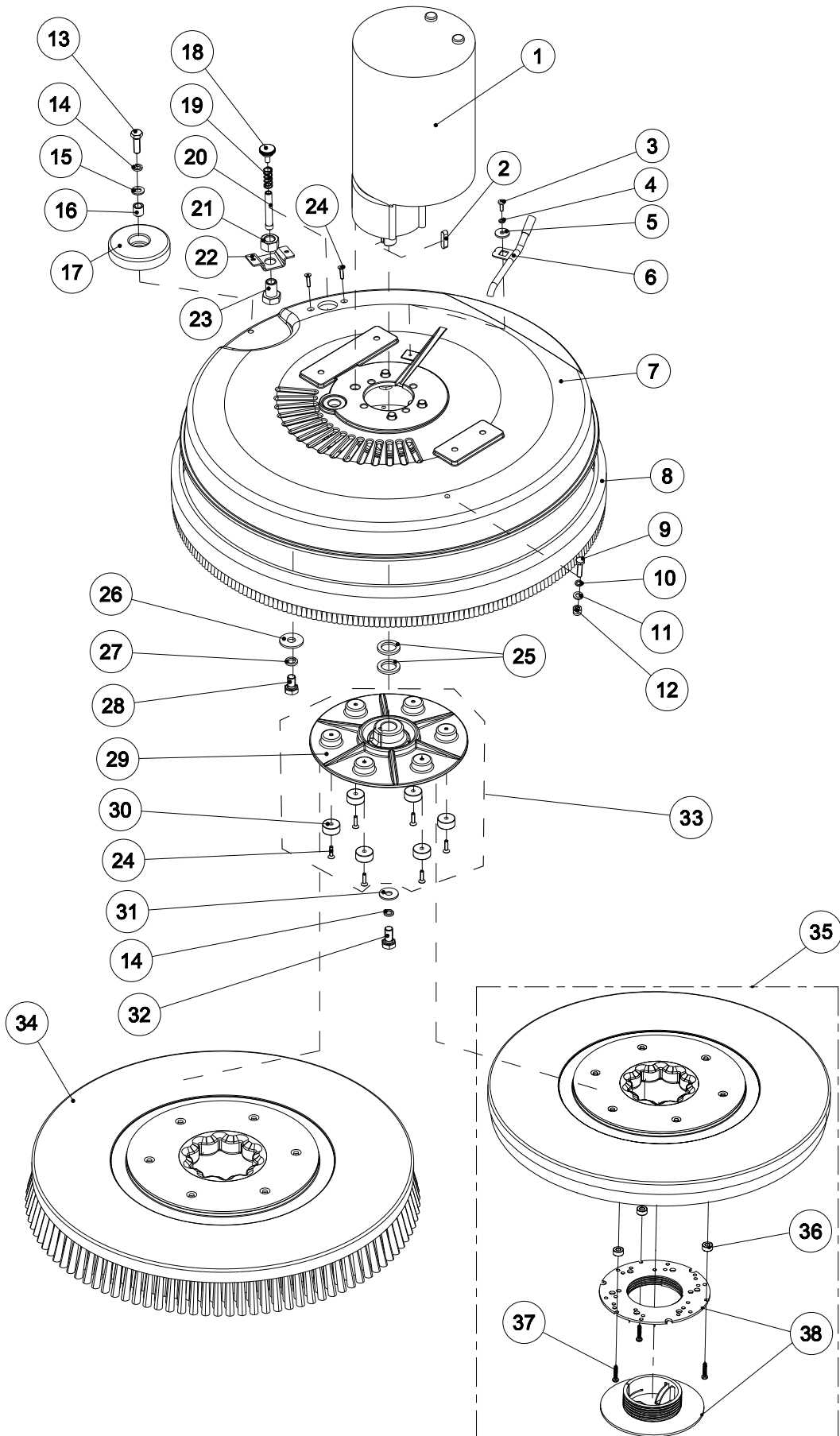
CONTROL PANEL GROUP



CONTROL PANEL GROUP

DIA No.	PART NUMBER	VER	SERIAL NUMBER	DESCRIPTION	QTY.
1	1514512	01	(100000-	) SOCKET ROUND HEAD,M5×12	12
2	8310707	01	(100000-	) EMERGENCY STOP SWITCH	1
3	8630347	01	(100000-	) PLATE, CONTROL PANEL	1
4	8630371	01	(100005-	) GASKET, CONTROL PANEL	1
5	8630803	01	(100000-	) ON/OFF BUTTON	1
6	8630346	01	(100000-	) PLATE, SWITCH PANEL	1
7	8630372	01	(100005-	) GASKET, SWITCH PANEL	1
8	8639016	01	(100000-	) POWER STRIP	1
9	8630329	01	(100000-	) PLATE	1
10	1021820	01	(100000-	) BOLT, HEX HEAD,M8×20	3
11	1422821	01	(100000-	) LOCK WASHER, M8	5
12	1421824	01	(100000-	) FLAT WASHER, M8×24×2.0	5
13	1221310	01	(100000-	) SCREW, PAN HEAD, M3×10	2
14	8630361	01	(100000-	) CONTROL HOUSING	1
15	1021835	01	(100000-	) BOLT, HEX HEAD, M8×35	2
16	8630534	01	(100000-	) PEDESTAL	1
17	1222410	01	(100000-	) SCREW, SOCKET, M4×10	3
18	8630535	01	(100000-	) LOGO	1
19	8630317	02	(100000-	) BASE, LED LIGHT	1
20	1514412	01	(100000-	) SOCKET ROUND HEAD,M4×12	7
21	8639009A	01	(100000-	) LED LIGHT	1
22	1321006GL	01	(100000-	) SCREW, ST3x6	7
23	8630318	01	(100000-	) COVER, LED LIGHT	1
24	8630363	01	(100000-	) FRONT FACIA	1
25	8630312	02	(100000-	) BASE, LED LIGHT RIGHT	1
26	8639006A	01	(100000-	) LED LIGHT RIGHT	1
27	8630314	01	(100000-	) COVER, LED LIGHT RIGHT	1
28	8630311	02	(100000-	) BASE, LED LIGHT LEFT	1
29	8639005A	01	(100000-	) LED LIGHT LEFT	1
30	8630313	01	(100000-	) COVER, LED LIGHT LEFT	1

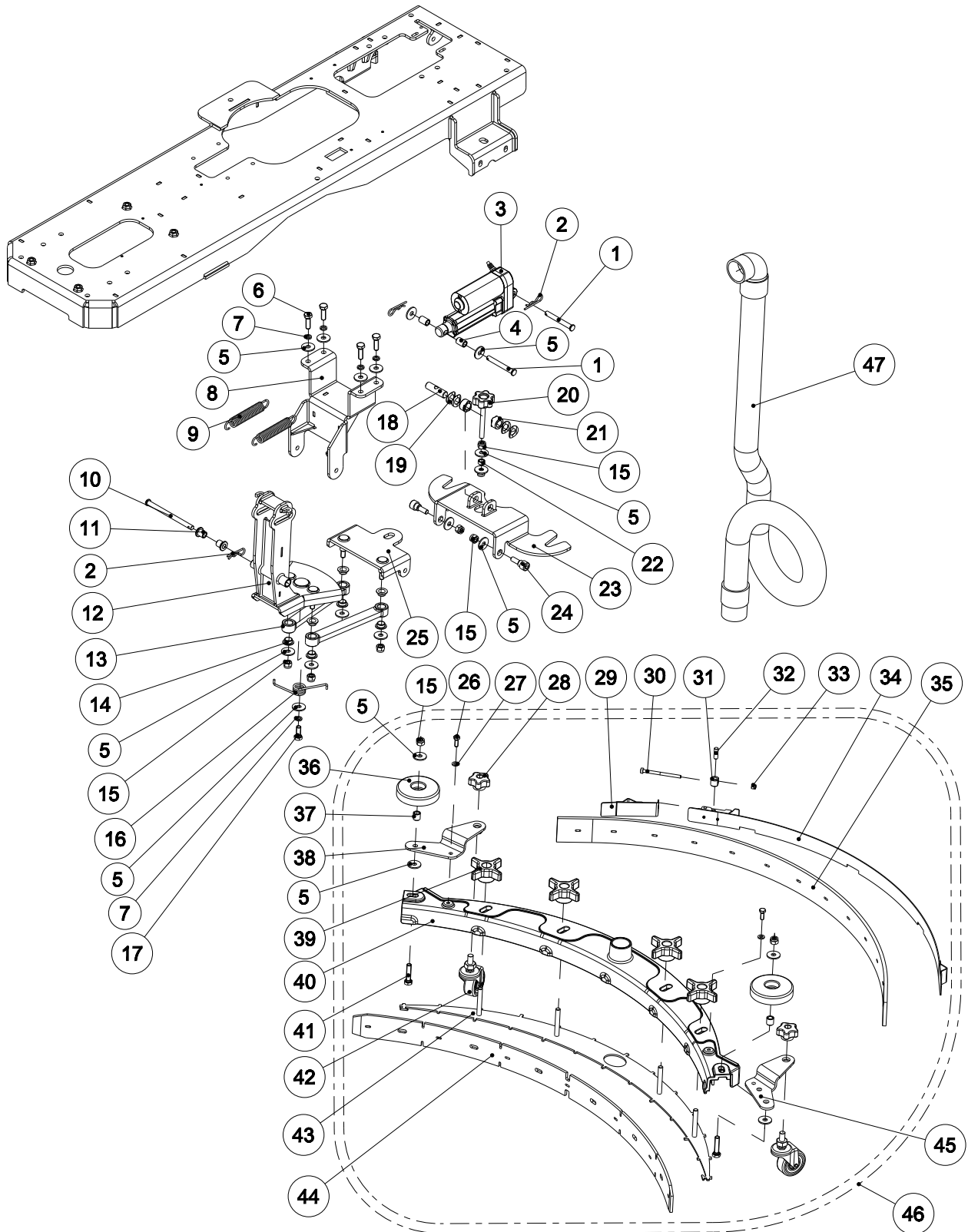
SCRUB HEAD GROUP



SCRUB HEAD GROUP

DIA No.	PART NUMBER	VER	SERIAL NUMBER	DESCRIPTION	QTY.
1	8630117	01	(100000-	) BRUSH MOTOR, 24VDC 650W	1
2	1656433	01	(100000-	) KEY	1
3	1221412	01	(100000-	) SCREW M4×12	1
4	1422513	01	(100000-	) LOCK WASHER, M5	1
5	1421518	01	(100000-	) FLAT WASHER M5× $\phi$ 18×2	1
6	8116100	01	(100000-	) WATER SUPPLY TUBE	1
7	8630118	01	(100000-	) SCRUB HEAD HOUSING	1
8	8116020	02	(100000-	) BUMPER, SCRUB HEAD	1
9	1021625	01	(100000-	) SCREW, HEX HEAD, M6×25	1
10	1422616	01	(100000-	) LOCK WASHER, M6	1
11	1421612	01	(100000-	) FLAT WASHER, M6× $\phi$ 12×1.6	1
12	1123608	01	(100000-	) LOCK NUT, M6	1
13	1021825	01	(100000-	) BOLT, HEX HEAD, M8×25	1
14	1422821	01	(100000-	) LOCK WASHER, M8	2
15	1421824	01	(100000-	) FLAT WASHER, M8× $\phi$ 24×2.0	1
16	8115404	00	(100000-	) SLEEVE, P/M	1
17	8116009	00	(100000-	) PROTECTIVE WHEEL	1
18	8116210	01	(100000-	) KNOB M6	1
19	8116204	00	(100000-	) SRPING	1
20	8630106	01	(100000-	) PIN	1
21	1121913	01	(100000-	) HEX NUT M14	1
22	8630107	01	(100000-	) BRACKET	1
23	8116205	01	(100000-	) SCREW M14 × 20	1
24	1513416GL	01	(100000-	) SCREW, HEX SOCKET, M4×16	8
25	8116001	01	(100000-	) SPACER	2
26	1421030	01	(100000-	) FLAT WASHER M10× $\phi$ 30×2.5	4
27	1422026	01	(100000-	) LOCK WASHER M10	4
28	1023010	01	(100000-	) HEX BOLT 3/8-16 ×1" UNC	4
29	8630112	01	(100000-	) HUB, DRIVE, MAGNETISM	1
30	8630113	01	(100000-	) MAGNET	6
31	8116010	00	(100000-	) FLAT WASHER $\phi$ 8.5× $\phi$ 25.4×4.5	1
32	1023815	01	(100000-	) HEX BOLT 5/16-18 ×1.5" UNC	1
33	8630112A	01	(100000-	) HUB, DRIVE, KIT	1
34	9052020	01	(100000-	) 19" BRUSH,0.7MM,PP,BLACK (OPTIONAL)	1
	9052020E	01	(100000-	) 19" BRUSH,0.5MM,PP,BLUE (OPTIONAL)	1
35	9042020	02	(100000-	) 19" PAD DRIVER	1
36	8116040	01	(100000-	) SPACER	3
37	1321325	01	(100000-	) SELF-TAPPING SCREW,ST5×25	3
38	9000001	01	(100000-	) BIG MOUTH	1

SQUEEGEE GROUP



SQUEEGEE GROUP

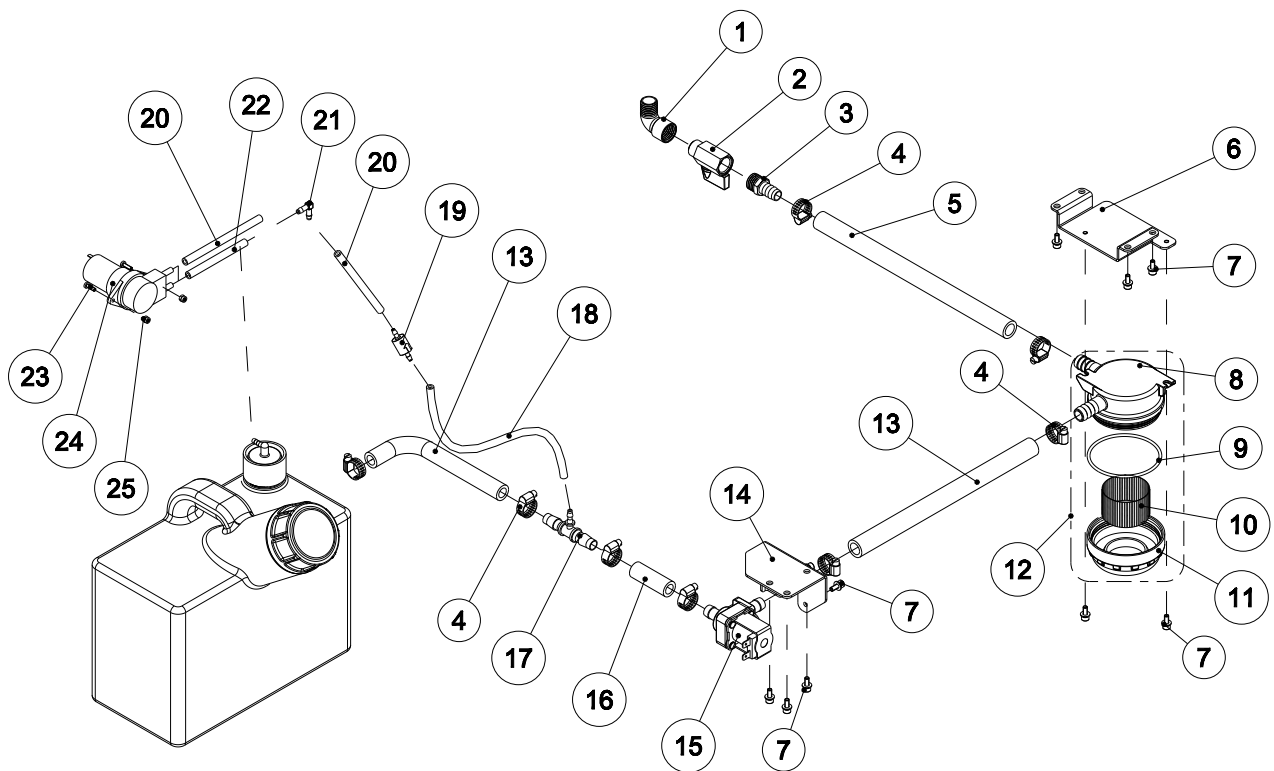
DIA No.	PART NUMBER	VER	SERIAL NUMBER	DESCRIPTION	QTY.
1	8630164	01	(100000-	) PIN, $\phi 8 \times 65$	2
2	8310320	00	(100000-	) PIN, COTTER	3
3	8630084	01	(100000-	) LINEAR, ACTUATOR	1
4	8630170	01	(100000-	) SLEEVE, $\phi 12 \times \phi 8 \times 17.5$	2
5	1421824	01	(100000-	) FLAT WASHER, $M8 \times \phi 24 \times 2.0$	17
6	1021825	01	(100000-	) BOLT, HEX HEAD, $M8 \times 25$	4
7	1422821	01	(100000-	) LOCK WASHER, M8	5
8	8630151	01	(100000-	) BRACKET	1
9	8630154	02	(100005-	) SPRING	2
10	8630153	01	(100000-	) PIN, $\phi 8 \times 112.5$	1
11	8630168	01	(100000-	) SLEEVE	2
12	8630162	02	(100005-	) BRACKET	1
13	8630166	02	(100005-	) ROLLING SUPPORT	2
14	8630172	01	(100000-	) SLEEVE	8
15	1123810	01	(100000-	) LOCK NUT, M8	9
16	8630169	01	(100000-	) SPRING	1
17	1021820	01	(100000-	) BOLT, HEX HEAD, $M8 \times 20$	1
18	8211506	00	(100000-	) SHAFT	1
19	1435013	01	(100000-	) WAVE WASHER $\phi 13 \times \phi 24 \times 0.5\text{mm}$	4
20	8701002	00	(100000-	) KNOB $M8 \times 70$	1
21	8118085	02	(100000-	) SLEEVE	2
22	8211508	00	(100000-	) SLEEVE	1
23	8630163	01	(100000-	) BRACKET	1
24	8211504	00	(100000-	) SHOULDER BOLT	2
25	8630167	02	(100005-	) BRACKET	1
26	1021616	01	(100000-	) BOLT, HEX HEAD, $M6 \times 16$	2
27	1421612	01	(100000-	) FLAT WASHER, $M6 \times \phi 12 \times 1.6$	2
28	8210532	00	(100000-	) KNOB, M10	2
29	8210525	01	(100000-	) SHORT CLAMP ASSEMBLY	1
30	1221575	01	(100000-	) SCREW, PAN HEAD, $M5 \times 75$	1
31	8118623	00	(100000-	) SPACER	1
32	8118624	00	(100000-	) SHAFT	1
33	1123507	01	(100000-	) LOCK NUT, M5	1
34	8311514	02	(100000-	) CLAMP ASSEMBLY	1
35	8311531	02	(100000-	) REAR BLADE, LINATEX	1
	8311541	01	(100000-	) REAR BLADE, PU,OPTION	1
36	8116009	00	(100000-	) PROTECTIVE WHEEL	2
37	8115404	00	(100000-	) SLEEVE, $\phi 8 \times \phi 12.7 \times 12.7$	2
38	8118300	00	(100000-	) RIGHT BRACKET	1
39	8210518	02	(100000-	) KNOB, M8	4

## PARTS LIST

---

### SQUEEGEE GROUP

DIA No.	PART NUMBER	VER	SERIAL NUMBER	DESCRIPTION	QTY.
40	8311561	01	(100000- )	HOUSING	1
41	1021835	01	(100000- )	BOLT, HEX HEAD, M8×35	2
42	8310550	03	(100000- )	CASTER, 2 INCH	2
43	8311562	00	(100000- )	RETAINER, SQUEEGEE	1
44	8311534	00	(100000- )	FRONT BLADE, LINATEX	1
	8311544	00	(100000- )	FRONT BLADE, PU,OPTION	1
45	8118200	00	(100000- )	LEFT BRACKET	1
46	8311570	01	(100000- )	SQUEEGEE ASSEMBLY	1
47	8630519	01	(100000- )	VACUUM HOSE	1

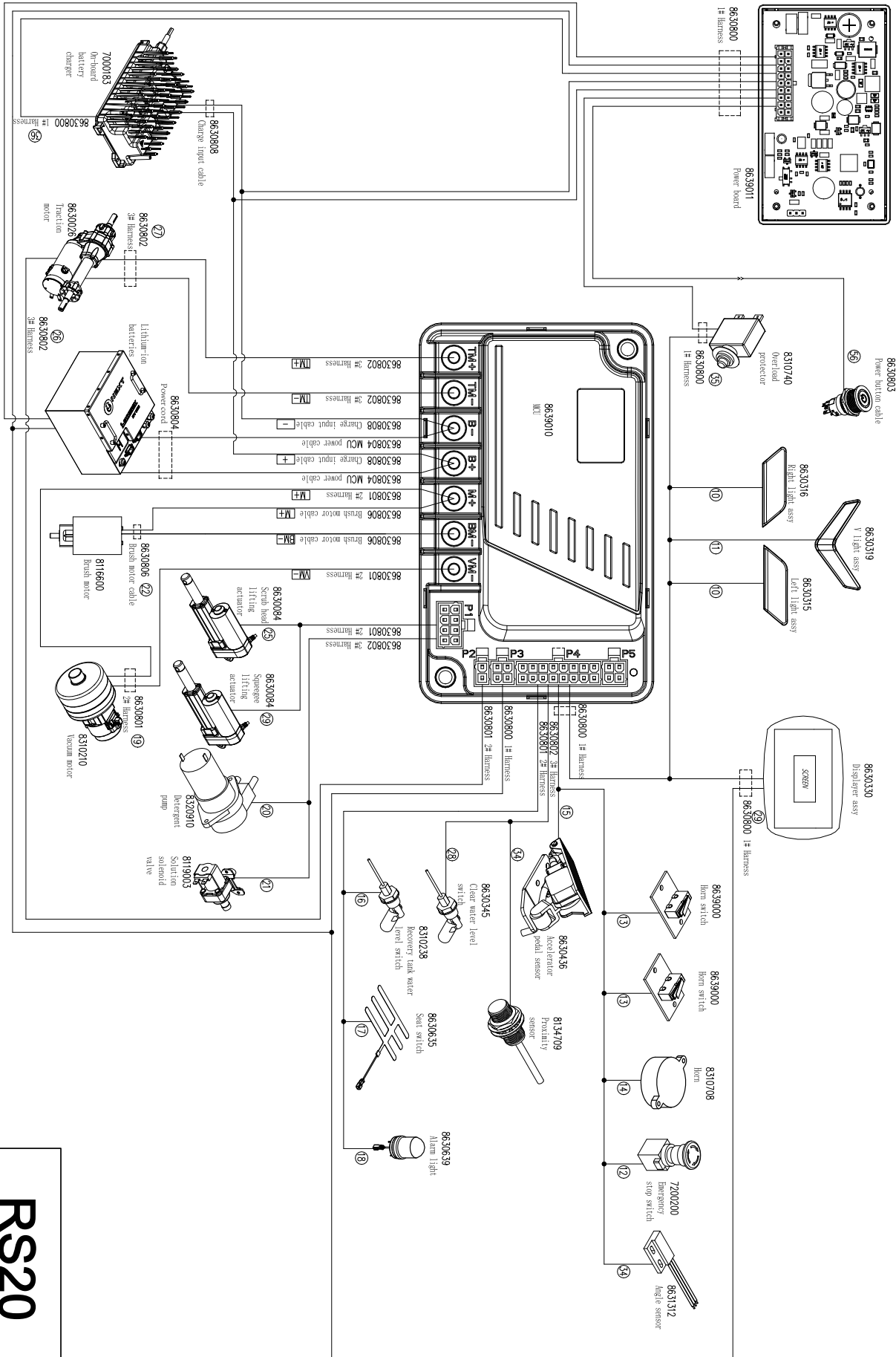
SOLUTION & DETERGENT SYSTEM

## PARTS LIST

### SOLUTION & DETERGENT SYSTEM

DIA No.	PART NUMBER	VER	SERIAL NUMBER	DESCRIPTION	QTY.
1	8013006	02	(100000- )	ELBOW	1
2	8018006	01	(100000- )	BALL VALVE	1
3	8013007	01	(100000- )	TUBING FITTING	1
4	1962016	01	(100000- )	CLAMP, HOSE 3/8"	8
5	8630446	01	(100000- )	TUBING ID=12MM L=230MM	1
6	8630430	02	(100005- )	MOUNTING PLATE	1
7	1510410GL	01	(100000- )	HEX SOCKET BUTTON SCREW	11
8	8119101	04	(100000- )	BASE, FILTER ASSEMBLY	1
9	1623660	01	(100000- )	O RING	1
10	8119104	01	(100000- )	SCREEN, FILTER, 40 MESH	1
11	8119102	02	(100000- )	CAP, FILTER ASSEMBLY	1
12	8119200	01	(100000- )	SCREEN, FILTER, 40 MESH	1
13	8630447	01	(100000- )	TUBING ID=12MM L=240MM	2
14	8630429	02	(100005- )	MOUNTING PLATE	1
15	8119003	01	(100000- )	SOLENOID VALVE,24VDC	1
16	8630448	01	(100000- )	TUBING ID=12MM L=50MM	1
17	8600139	01	(100000- )	TEE BARB	1
18	8630441	01	(100000- )	TUBING,ID= 4MM L=280MM	1
19	8310466	01	(100000- )	ONE WAY VALVE	1
20	8630443	01	(100000- )	TUBING,ID= 4MM L=100MM	2
21	8310467	02	(100000- )	FITTING	1
22	8630444	01	(100000- )	TUBING,ID= 4MM L=80MM	1
23	1221310	01	(100000- )	SCREW, PAN HEAD, M3×10	2
24	8320910A	01	(100000- )	PUMP, CHEMICAL	1
25	1123305	01	(100000- )	NUT LOCK M3	2

WIRING DIAGRAM



**RS20**