

Automatic Scrubber

20Y/20YT/20YT-OB/24YT/ 20YL/20YTL/24YTL

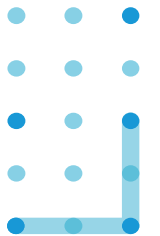
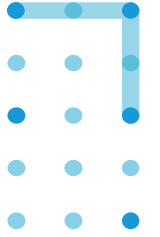


TABLE OF CONTENTS

RECOVERY TANK GROUP.....2-3

VACUUM FAN GROUP.....4-5

SOLUTION TANK GROUP.....6-7

CONTROL CONSOLE GROUP (20Y/20YL).....8-10

CONTROL CONSOLE GROUP (20YT/20YT-OB/24YT/20YTL/24YTL).....11-13

FRAME & WHEEL GROUP (20Y/20YL).....14-15

FRAME & TRANSAXLE GROUP (20YT/20YT-OB/24YT/20YTL/24YTL).....16-17

SCRUB HEAD LIFT GROUP (20Y/20YT/20YL/20YTL).....18-19

SCRUB HEAD LIFT GROUP (24YT/24YTL).....20-21

ORBITAL HEAD LIFT GROUP(20YT-OB).....22-23

SCRUB HEAD GROUP, 3 LUG (20Y/20YT/20YL/20YTL).....24-25

SCRUB HEAD GROUP, MAGNET (20Y/20YT/20YL/20YTL,OPTIONAL).....26-27

SCRUB HEAD LIFT GROUP(24YT/24YTL).....28-30

ORBITAL HEAD GROUP (20YT-OB).....31-32

SQUEEGEE GROUP.....33-34

SOLUTION GROUP.....35-36

WEARABLE PARTS.....37

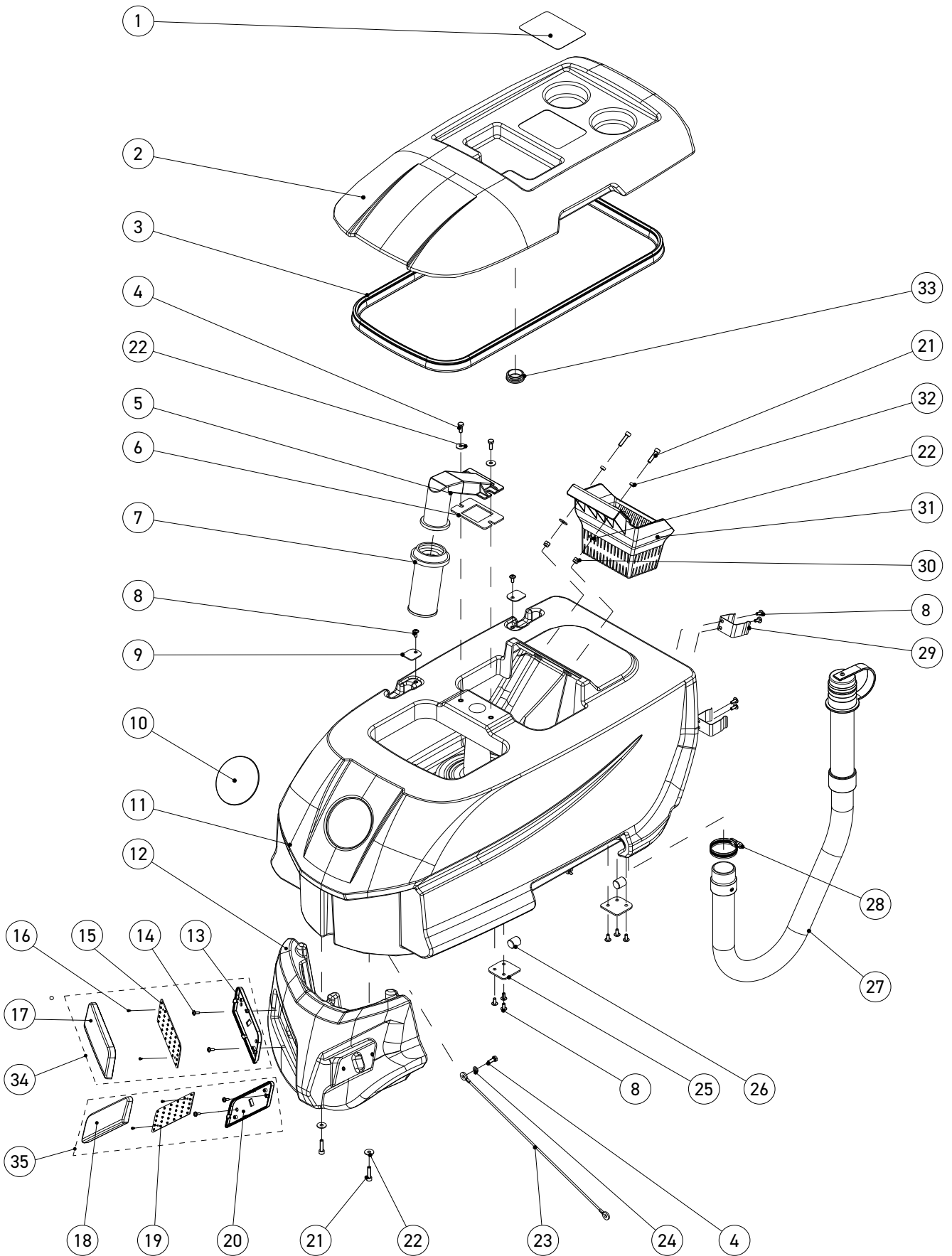
WIRING DIAGRAM (20Y).....38

WIRING DIAGRAM (20YL).....39

WIRING DIAGRAM (20YT/20YT-OB/24YT).....40

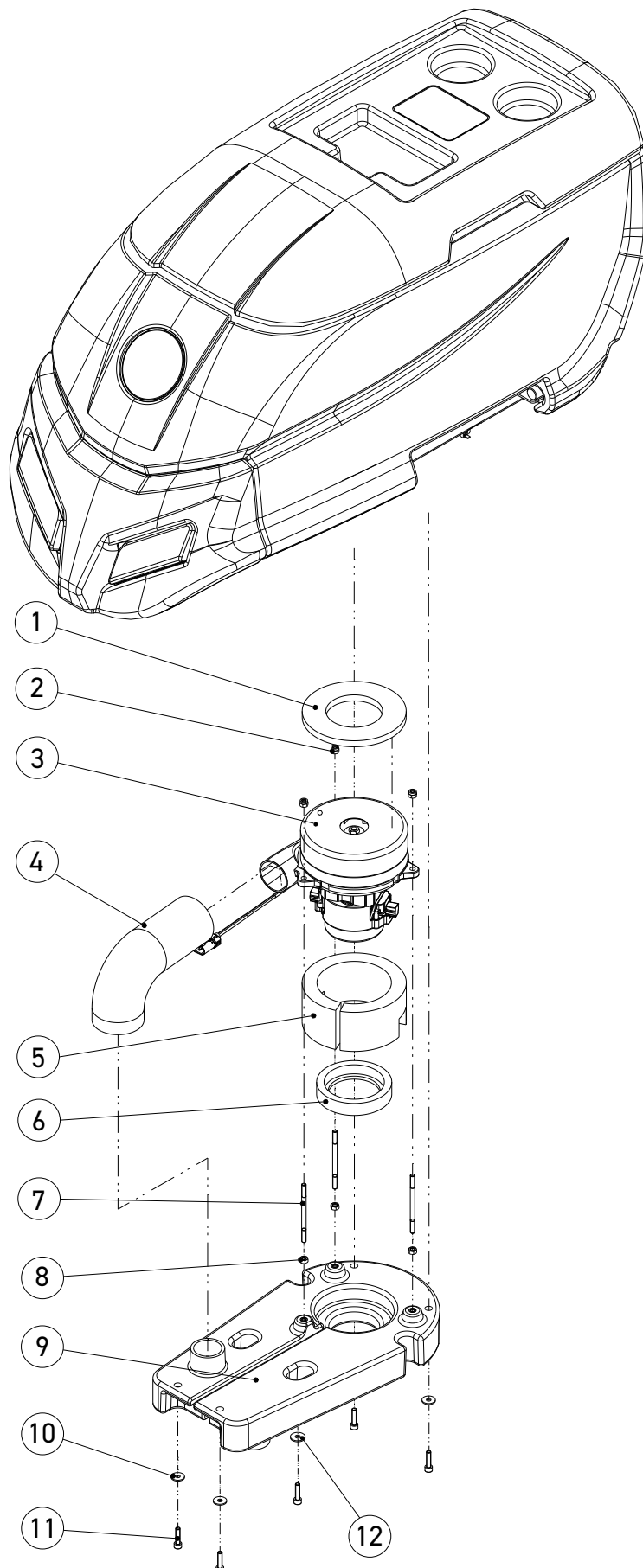
WIRING DIAGRAM (20YTL/24YTL).....41

RECOVERY TANK GROUP



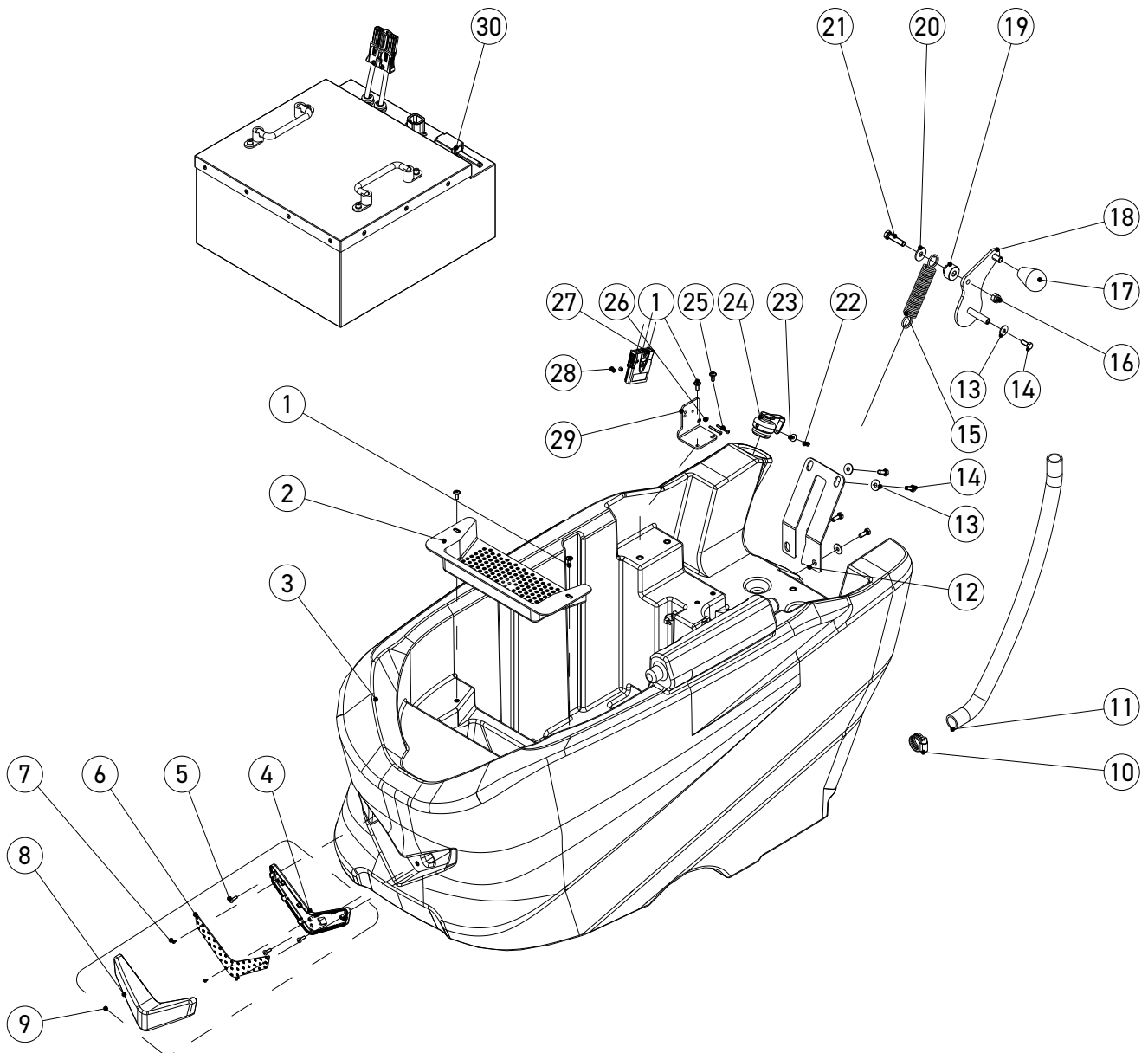
RECOVERY TANK GROUP

DIA No.	PART NUMBER	VER	SERIAL NUMBER	DESCRIPTION	QTY.
1	8111022	00	(100001-)	WARNING LABEL	1
2	8161221	01	(100001-)	RECOVERY TANK COVER	1
3	8160222	01	(100001-)	RECOVERY TANK COVER SEAL	1
4	1021616	01	(100001-)	HEX BOLT,M6×16,SS	3
5	8111014	00	(100001-)	FLOAT ADAPTER	1
6	8111001	00	(100001-)	GASKET	1
7	8111015	00	(100001-)	FLOAT, SHUT-OFF	1
8	1514512	01	(100001-)	SCREW M5×12, SOCKET ROUND HEAD, SS	12
9	8111016	00	(100001-)	PLATE	2
10	8160224	01	(100001-)	ICE LOGO	1
11	8161201	01	(100001-)	RECOVERY TANK	1
12	8161203	01	(100001-)	FRONT FACIA	1
13	8630312	02	(100001-)	RIGHT LAMP BASE	1
14	1221412	01	(100001-)	SCREW M4×12	4
15	8639006A	01	(100001-)	RIGHT EYE LAMP PANEL	1
16	1311006	01	(100001-)	SELF-TAPPING SCREW,ST3.0×6.0	4
17	8630314	01	(100001-)	RIGHT LAMPSHADE	1
18	8630313	01	(100001-)	LEFT LAMPSHADE	1
19	8639005A	01	(100001-)	LEFT EYE LAMP PANEL	1
20	8630311	02	(100001-)	LEFT LAMP BASE	1
21	1521625	01	(100001-)	SCREW M6×25,HEX SOCKET	4
22	1421618	01	(100001-)	FLAT WASHER M6×Ø18×1.6, SS	8
23	8161020	01	(100001-)	CABLE, RECOVERY TANK	1
24	1421612	01	(100001-)	FLAT WASHER,M6×Ø12×1.6	1
25	8630634	01	(100001-)	RETAINER, RECOVERY TANK	2
26	8161207	01	(100001-)	ROLLER	2
27	8160031	01	(100001-)	DRAIN HOSE	1
28	1962050	02	(100001-)	CLAMP, 2 INCH	1
29	8630522	01	(100001-)	CLAMP	2
30	1123608	01	(100001-)	LOCK NUT,M6	2
31	8310250	00	(100001-)	DEBRIS, TRAY	1
32	8012008	00	(100001-)	BUSHING	2
33	8011005	01	(100001-)	CAP	1
34	8630316	01	(100001-)	RIGHT LIGHT ASSEMBLY	1
35	8630315	01	(100001-)	LEFT LIGHT ASSEMBLY	1

VACUUM FAN GROUP

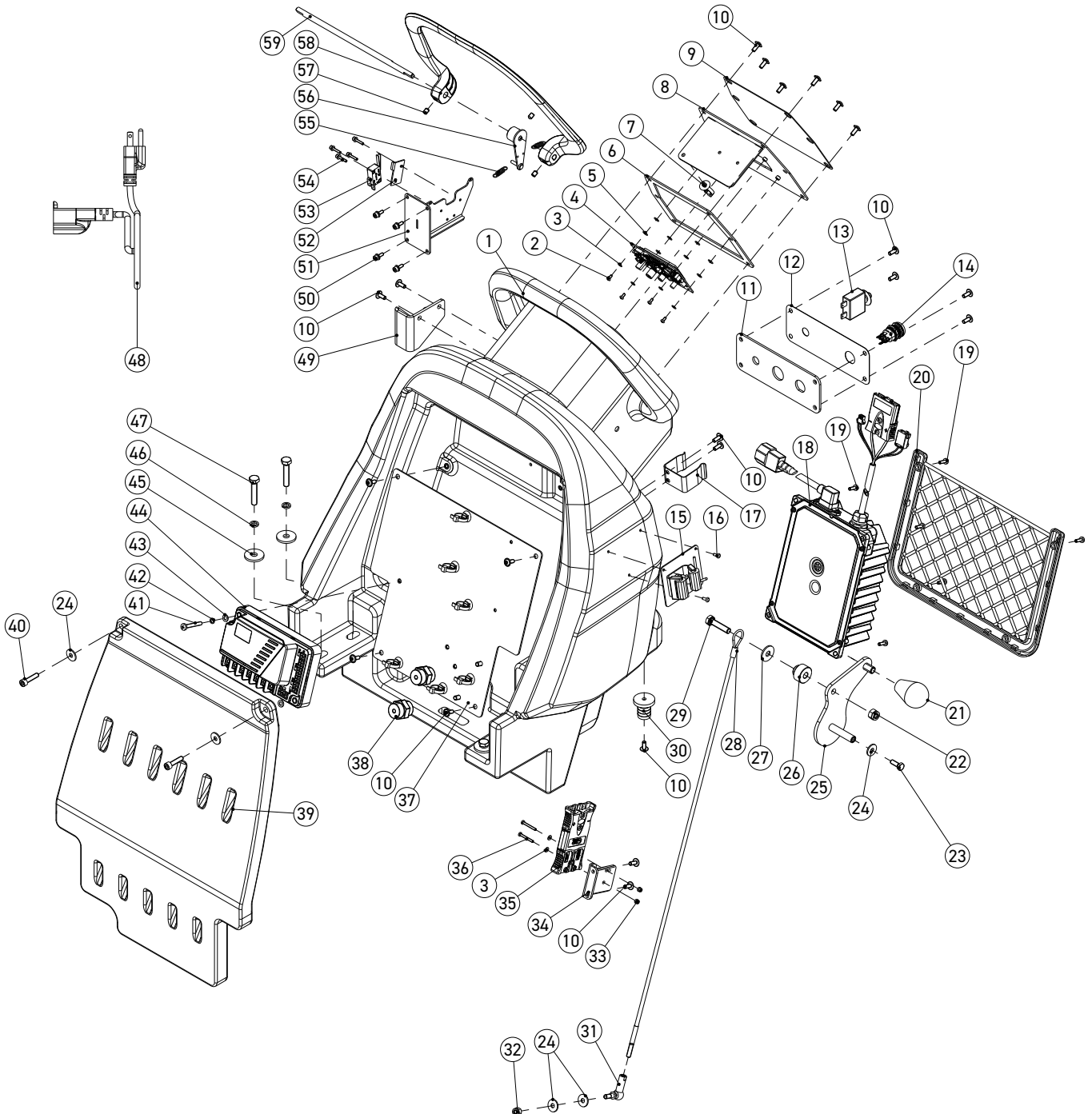
VACUUM FAN GROUP

DIA No.	PART NUMBER	VER	SERIAL NUMBER	DESCRIPTION	QTY.
1	8112005	00	(100001-)	GASKET, VACUUM MOTOR	1
2	1123608	01	(100001-)	LOCK NUT M6	3
3	8160228	01	(100001-)	TWO-STAGE VACUUM MOTOR	1
4	8132007	01	(100001-)	MUFFLER, VACUUM MOTOR	1
5	8160214	01	(100001-)	SILENCING COTTON	1
6	8160213	01	(100001-)	SHOCK-ABSORBING PAD	1
7	8210209	00	(100001-)	STUD M6×110	3
8	1121605	01	(100001-)	HEX NUT M6	3
9	8160208	01	(100001-)	VACUUM MOTOR MOUNTING BASE	1
10	1421618	01	(100001-)	FLAT WASHER M6×Ø18×1.6, SS	4
11	1521625	01	(100001-)	SCREW M6×25,HEX SOCKET	5
12	1421622	01	(100001-)	FLAT WASHER M6×Ø22×2	1

SOLUTION TANK GROUP

SOLUTION TANK GROUP

DIA No.	PART NUMBER	VER	SERIAL NUMBER	DESCRIPTION	QTY.
1	1514512	01	(100001-)	SCREW M5×12, SOCKET ROUND HEAD, SS	4
2	8134067	00	(100001-)	BAFFLE	1
3	8161301	01	(100001-)	SOLUTION TANK	1
4	8630317	02	(100001-)	BASE, LED LIGHT	1
5	1221412	01	(100001-)	SCREW,M4×12	3
6	8639009A	01	(100001-)	LED LIGHT	1
7	1311006	01	(100001-)	SELF-TAPPING SCREW,ST3.0×6.0	3
8	8630318	01	(100001-)	COVER, LED LIGHT	1
9	8630319	01	(100001-)	LED LIGHT ASSEMBLY	1
10	1962032	01	(100001-)	CLAMP,14-27MM	1
11	8160306	01	(100001-)	SITE TUBE	1
12	8161106	01	(100001-)	LIMIT PLATE	1
13	1421618	01	(100001-)	FLAT WASHER M6×Ø18×1.6, SS	5
14	1021616	01	(100001-)	HEX BOLT,M6×16,SS	5
15	8163113	01	(100001-)	SPRING	1
16	1123810	01	(100001-)	LOCK NUT, M8	1
17	8160462	01	(100001-)	KNOB	1
18	8160467	02	(100001-)	SQUEEGEE LIFT BRACKET	1
19	8160463	01	(100001-)	STEP SLEEVE	1
20	1421824	01	(100001-)	FLAT WASHER,M8×Ø24×2	1
21	1021835	01	(100001-)	HEX BOLT,M8×35	1
22	1321110	01	(100001-)	SELF-TAPPING SCREW,ST3.5×10	1
23	1421412	01	(100001-)	FLAT WASHER,M4×12×1,SS	1
24	8133002	03	(100001-)	CAP,SOLUTION FILL	1
25	1211325	01	(100001-)	SCREW,M3×25	2
26	1421307	01	(100001-)	FLAT WASHER,M3×Ø7×0.5	2
27	8113020	01	(100001-)	CONNECTOR, FOR 20Y/20YT/20YT-OB/24YT	1
	1885587	01	(100001-)	CONNECTOR, FOR 20YL/20YTTL/24YTTL	1
28	1123305	01	(100001-)	LOCK NUT,M3	2
29	8161414	01	(100001-)	BRACKET, CONNECTOR MTG	1
30	9325102	01	(100001-)	LITHIUM-ION BATTERY,25.6V/100AH, LAND PARCEL (FOR 20YL/20YTTL/24YTTL, OPTIONAL)	1
	9325103	01	(100001-)	LITHIUM-ION BATTERY,25.6V/100AH, SEA PARCEL (FOR 20YL/20YTTL/24YTTL, OPTIONAL)	1

CONTROL CONSOLE GROUP (20Y/20YL)

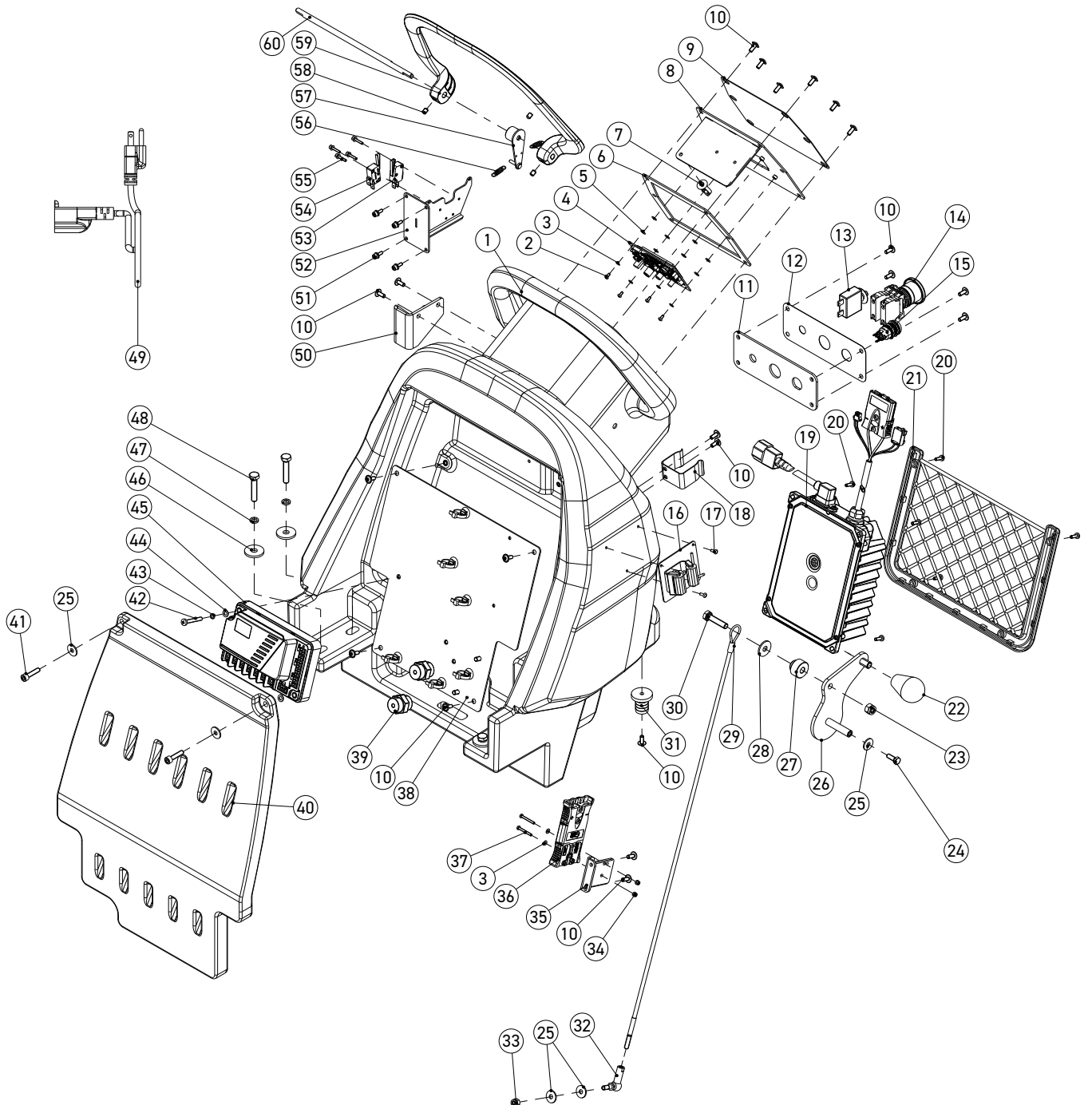
CONTROL CONSOLE GROUP (20Y/20YL)

DIA No.	PART NUMBER	VER	SERIAL NUMBER	DESCRIPTION	QTY.
1	8161401	02	(100001-) CONTROL HOUSING	1
2	1221306	01	(100001-) SCREW M3×6	4
3	1421307	01	(100001-) FLAT WASHER M3×Ø7×0.5	6
4	8160415	01	(100001-) OLED SCREEN ASSEMBLY, FOR DISCOVER BATTERY	1
	8160475	01	(100001-) OLED SCREEN ASSEMBLY, FOR Trojan BATTERY	1
	8160485	01	(100001-) OLED SCREEN ASSEMBLY, FOR LITHIUM-ION BATTERY	1
	8160495	01	(100001-) OLED SCREEN ASSEMBLY, COMPATIBLE, WITH SOP	1
5	1883102	01	(100001-) WASHER M3×Ø8×0.5, PB	8
6	8160411	01	(100001-) GASKET, CONTROL PANEL	1
7	1915205	01	(100001-) FIXED HEAD, CABLE TIE	9
8	8160404	02	(100001-) CONTROL PANEL	1
9	8160414	02	(100001-) DECAL, CONTROL PANEL	1
10	1514512	01	(100001-) SCREW M5×12, SOCKET ROUND HEAD, SS	21
11	8160434	01	(100001-) BRACKET, CIRCUIT BREAKER	1
12	8160428	01	(100001-) LABEL, CIRCUIT BREAKER	1
13	8310740	01	(100001-) CIRCUIT BREAKER	1
14	8310706A	03	(100001-) KEY SWITCH, ASSEMBLY	1
15	8160419	01	(100001-) CLAMP(OPTIONAL)	2
16	1662316	01	(100001-) RIVET Ø3.2x16(MATCHED CLAMP 8160419)	6
17	8630522	01	(100001-) CLAMP	1
18	8160536	01	(100001-) BATTERY CHARGER, FOR DISCOVER BATTERY	1
	8160537	01	(100001-) BATTERY CHARGER, FOR Trojan BATTERY	1
	8160436	03	(100001-) BATTERY CHARGER, FOR 25.6VDC LITHIUM-ION BATTERY	1
19	1221412	01	(100001-) SCREW M4×12	8
20	8320411	01	(100001-) CARGO MESH	1
21	8160462	01	(100001-) KNOB	1
22	1123810	01	(100001-) LOCK NUT, M8	1
23	1021616	01	(100001-) HEX BOLT,M6×16,SS	1
24	1421618	01	(100001-) FLAT WASHER M6×Ø18×1.6, SS	5
25	8160467	02	(100001-) BRACKET, SQUEE LIFT	1
26	8160463	01	(100001-) STEP SLEEVE	1
27	1421824	01	(100001-) FLAT WASHER,M8×Ø24×2	1
28	8162034	01	(100001-) CABLE, SQUEEGEE LIFT	1
29	1021835	01	(100001-) HEX BOLT,M8×35	1
30	8114005	00	(100001-) CONNECTOR	1
31	8114511	00	(100001-) BALL JOINT M6	1
32	1123608	01	(100001-) LOCK NUT M6	1
33	1123305	01	(100001-) LOCK NUT M3	2
34	8161407	01	(100001-) BRACKET, CONNECTOR MTG	1
35	8113020	01	(100001-) CONNECTOR, FOR DISCOVER OR Trojan BATTERY	1
	1885587	01	(100001-) CONNECTOR, FOR LITHIUM-ION BATTERY	1

CONTROL CONSOLE GROUP (20Y/20YL)

DIA No.	PART NUMBER	VER	SERIAL NUMBER	DESCRIPTION	QTY.
36	1211325	01	(100001-) SCREW M3x25	2
37	8161416	01	(100001-) BRACKET, CONTROLLER	1
38	8114705	00	(100001-) INSULATOR,M6	2
39	8162402	03	(100001-) COVER, CONTROL HOUSING	1
40	1521625	01	(100001-) SCREW M6×25,HEX SOCKET	2
41	1221535	01	(100001-) SCREW, M5×35	2
42	1422513	01	(100001-) LOCK WASHER, M5	2
43	1421510	01	(100001-) FLAT WASHER M5×Ø10×1, SS	2
44	8160825	01	(100001-) CONTROLLER	1
45	1421828	01	(100001-) FLAT WASHER M8×Ø28×3, SS	5
46	1422821	01	(100001-) LOCK WASHER, M8	5
47	1021840	01	(100001-) HEX BOLT, M8x40	5
48	8112030	01	(100001-) BATTERY CHARGER POWER CORD, US	1
	8112040	01	(100001-) BATTERY CHARGER POWER CORD, EU	1
	8112050	01	(100001-) BATTERY CHARGER POWER CORD, JP	1
	8112060	01	(100001-) BATTERY CHARGER POWER CORD, CH	1
	8112070	01	(100001-) BATTERY CHARGER POWER CORD, UK	1
49	8161403	01	(100001-) BRACKET	1
50	1510412GL	01	(100001-) SOCKET HEAD CAP SCREW, M4X12	4
51	8161405	02	(100001-) BRACKET, SWITCH	1
52	8161412	01	(100001-) LIMITED BRACKET	1
53	8114712	01	(100001-) MICRO SWITCH	1
54	1510316GL	01	(100001-) SOCKET HEAD CAP SCREW, M3X16	4
55	8161411	01	(100001-) SPRING	2
56	8161431	01	(100001-) ACTUATOR	1
57	1534608	01	(100001-) SET SCREW M6X8	3
58	8134300	01	(100001-) LEVER, BAIL	1
59	8161408	01	(100001-) SHAFT	1

CONTROL CONSOLE GROUP (20YT/20YT-OB/24YT/20YTL/24YTL)

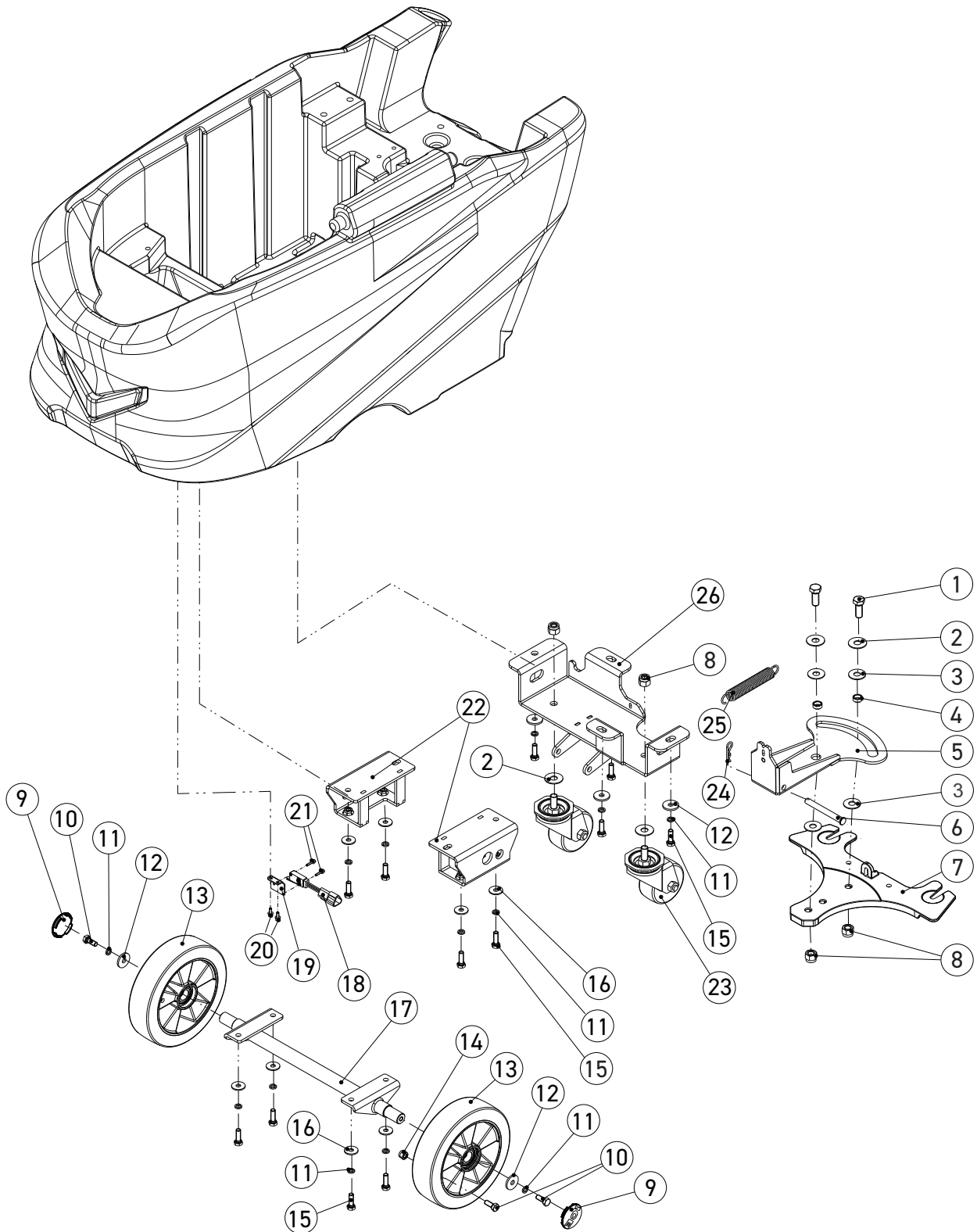


CONTROL CONSOLE GROUP (20YT/20YT-OB/24YT/20YTL/24YTL)

DIA No.	PART NUMBER	VER	SERIAL NUMBER	DESCRIPTION	QTY.
1	8161401	02	(100001-)	CONTROL HOUSING	1
2	1221306	01	(100001-)	SCREW M3×6	4
3	1421307	01	(100001-)	FLAT WASHER M3×Ø7×0.5	6
4	8160416	01	(100001-)	OLED SCREEN ASSEMBLY, FOR DISCOVER BATTERY	1
	8160476	01	(100001-)	OLED SCREEN ASSEMBLY, FOR Trojan BATTERY	1
	8160486	01	(100001-)	OLED SCREEN ASSEMBLY, FOR LITHIUM-ION BATTERY	1
	8160496	01	(100001-)	OLED SCREEN ASSEMBLY, COMPATIBLE, WITH SOP	1
5	1883102	01	(100001-)	WASHER M3×Ø8×0.5, PB	8
6	8160411	01	(100001-)	GASKET, CONTROL PANEL	1
7	1915205	01	(100001-)	FIXED HEAD, CABLE TIE	9
8	8160404	02	(100001-)	CONTROL PANEL	1
9	8160412	02	(100001-)	DECAL, CONTROL PANEL	1
10	1514512	01	(100001-)	SCREW M5×12, SOCKET ROUND HEAD, SS	21
11	8160434	01	(100001-)	BRACKET, CIRCUIT BREAKER	1
12	8160427	01	(100001-)	LABEL, CIRCUIT BREAKER	1
13	8310740	01	(100001-)	CIRCUIT BREAKER	1
14	8310707	02	(100001-)	BUTTON,EMERGENCY STOP	1
15	8310706A	03	(100001-)	KEY SWITCH, ASSEMBLY	1
16	8160419	01	(100001-)	CLAMP(OPTIONAL)	2
17	1662316	01	(100001-)	RIVET Ø3.2x16(MATCHED CLAMP 8160419)	6
18	8630522	01	(100001-)	CLAMP	1
19	8160536	01	(100001-)	BATTERY CHARGER, FOR DISCOVER BATTERY	1
	8160537	01	(100001-)	BATTERY CHARGER, FOR Trojan BATTERY	1
	8160436	03	(100001-)	BATTERY CHARGER, FOR 25.6VDC LITHIUM-ION BATTERY	1
20	1221412	01	(100001-)	SCREW M4×12	8
21	8320411	01	(100001-)	CARGO MESH	1
22	8160462	01	(100001-)	KNOB	1
23	1123810	01	(100001-)	LOCK NUT, M8	1
24	1021616	01	(100001-)	HEX BOLT,M6×16,SS	1
25	1421618	01	(100001-)	FLAT WASHER M6×Ø18×1.6, SS	5
26	8160467	02	(100001-)	BRACKET, SQUE LIFT	1
27	8160463	01	(100001-)	STEP SLEEVE	1
28	1421824	01	(100001-)	FLAT WASHER,M8×Ø24×2	1
29	8162034	01	(100001-)	CABLE, SQGE LIFT	1
30	1021835	01	(100001-)	HEX BOLT,M8×35	1
31	8114005	00	(100001-)	CONNECTOR	1
32	8114511	00	(100001-)	BALL JOINT M6	1
33	1123608	01	(100001-)	LOCK NUT M6	1
34	1123305	01	(100001-)	LOCK NUT M3	2
35	8161407	01	(100001-)	BRACKET, CONNECTOR MTG	1
36	8113020	01	(100001-)	CONNECTOR, FOR DISCOVER OR Trojan BATTERY	1
	1885587	01	(100001-)	CONNECTOR, FOR LITHIUM-ION BATTERY	1

CONTROL CONSOLE GROUP (20YT/20YT-OB/24YT/20YTL/24YTL)

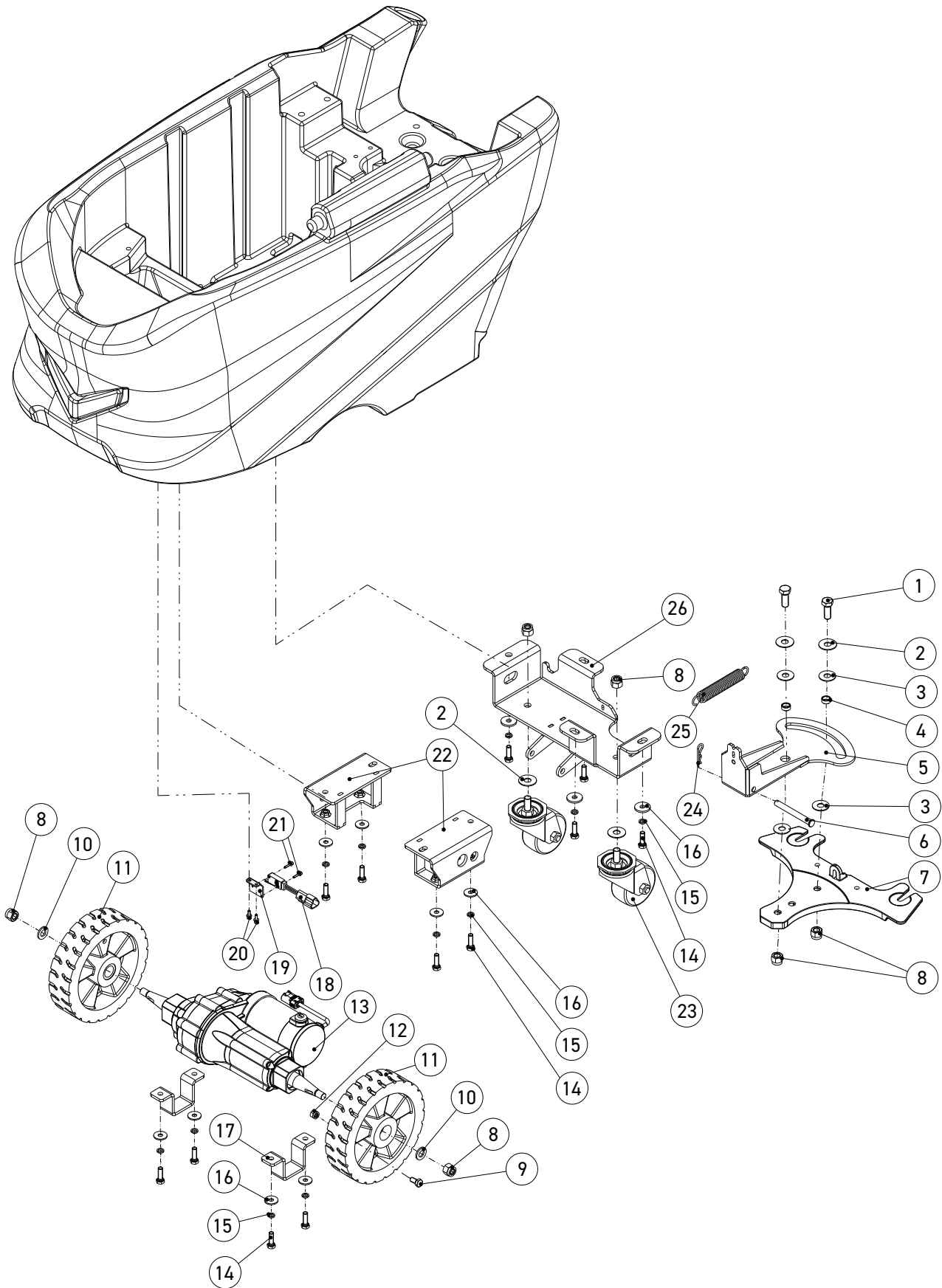
DIA No.	PART NUMBER	VER	SERIAL NUMBER	DESCRIPTION	QTY.
37	1211325	01	(100001-) SCREW M3x25	2
38	8161416	01	(100001-) BRACKET, CONTROLLER	1
39	8114705	00	(100001-) INSULATOR,M6	2
40	8162402	03	(100001-) COVER, CONTROL HOUSING	1
41	1521625	01	(100001-) SCREW M6×25,HEX SOCKET	2
42	1221535	01	(100001-) SCREW,M5x35	2
43	1422513	01	(100001-) LOCK WASHER, M5	2
44	1421510	01	(100001-) FLAT WASHER M5×Ø10×1, SS	2
45	8160820	01	(100001-) CONTROLLER	1
46	1421828	01	(100001-) FLAT WASHER M8×Ø28×3, SS	5
47	1422821	01	(100001-) LOCK WASHER, M8	5
48	1021840	01	(100001-) HEX BOLT, M8x40	5
49	8112030	01	(100001-) BATTERY CHARGER POWER CORD, US	1
	8112040	01	(100001-) BATTERY CHARGER POWER CORD, EU	1
	8112050	01	(100001-) BATTERY CHARGER POWER CORD, JP	1
	8112060	01	(100001-) BATTERY CHARGER POWER CORD, CH	1
	8112070	01	(100001-) BATTERY CHARGER POWER CORD, UK	1
50	8161403	01	(100001-) BRACKET	1
51	1510412GL	01	(100001-) SOCKET HEAD CAP SCREW, M4X12	4
52	8161405	02	(100001-) BRACKET, SWITCH	1
53	8124743	01	(100001-) MICRO SWITCH	1
54	8114712	01	(100001-) MICRO SWITCH	1
55	1510316GL	01	(100001-) SOCKET HEAD CAP SCREW, M3X16	4
56	8161411	01	(100001-) SPRING	2
57	8161431	01	(100001-) ACTUATOR	1
58	1534608	01	(100001-) SET SCREW M6X8	3
59	8134300	01	(100001-) LEVER, BAIL	1
60	8161408	01	(100001-) SHAFT	1

FRAME & WHEEL GROUP (20Y/20YL)

FRAME & WHEEL GROUP (20Y/20YL)

DIA No.	PART NUMBER	VER	SERIAL NUMBER	DESCRIPTION	QTY.
1	1021230	01	(100001-) HEX BOLT, M12x30	2
2	1421132	01	(100001-) FLAT WASHER M12x ϕ 32x1.5	4
3	8135001	01	(100001-) PLASTIC THRUST WASHER M12x ϕ 30x1.5	4
4	8115005	00	(100001-) AXLE SLEEVE	2
5	8161105	02	(100001-) BRACKET, SQGE LIFT	1
6	8160106	01	(100001-) PIN	1
7	8115001	03	(100001-) BRACKET, SQGE MNTG	1
8	1123115	01	(100001-) LOCK NUT M12	4
9	8115203	00	(100001-) COVER, WHEEL	2
10	1021820	01	(100001-) HEX BOLT, M8x20	3
11	1422821	01	(100001-) LOCK WASHER, M8	14
12	1421828	01	(100001-) FLAT WASHER M8x ϕ 28x3, SS	2
13	8115400	01	(100001-) WHEEL, 8 INCH	2
14	1123810	01	(100001-) LOCK NUT, M8	1
15	1021825	01	(100001-) HEX BOLT, M8x25	12
16	1421824	01	(100001-) FLAT WASHER, M8x ϕ 24x2	12
17	8165405	01	(100001-) SHAFT	1
18	7410477	01	(100001-) MICRO SWITCH ASSEMBLY	1
19	8160318	01	(100001-) BRACKET, MICRO SWITCH	1
20	1510412GL	01	(100001-) SOCKET HEAD CAP SCREW, M4X12	2
21	1510316GL	01	(100001-) SOCKET HEAD CAP SCREW, M3X16	2
22	8163101	01	(100001-) BRACKET, WHEEL	2
23	8161150	01	(100001-) CASTER, 3.15 INCH	2
24	8310320	00	(100001-) PIN, COTTER	1
25	8117009	00	(100001-) SPRING	1
26	8161102	02	(100001-) BRACKET, CASTER	1

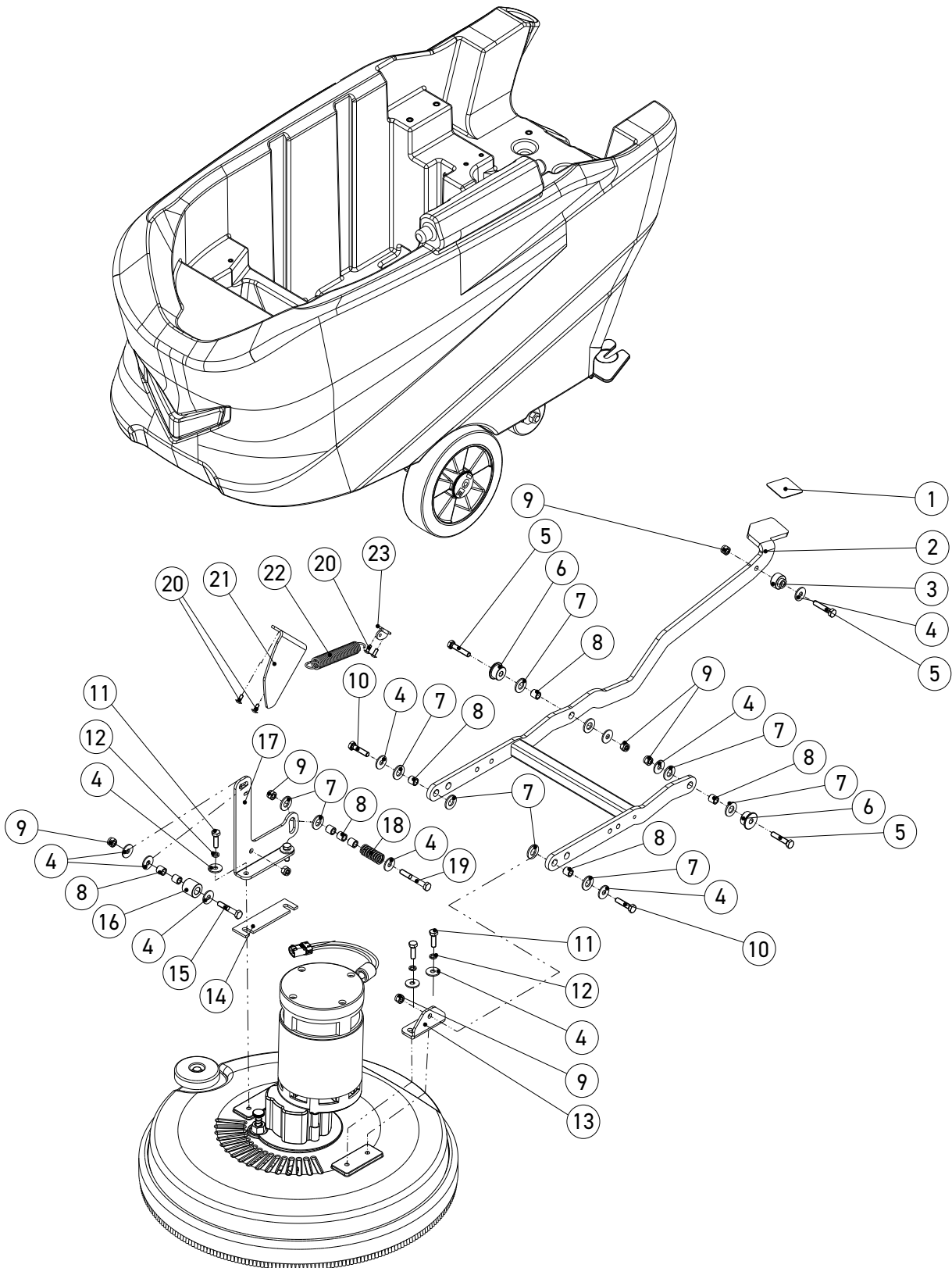
FRAME & TRANSAXLE GROUP (20YT/20YT-OB/24YT/20YTL/24YTL)



FRAME & TRANSAXLE GROUP (20YT/20YT-OB/24YT/20YTL/24YTL)

DIA No.	PART NUMBER	VER	SERIAL NUMBER	DESCRIPTION	QTY.
1	1021230	01	(100001-)	HEX BOLT, M12x30	2
2	1421132	01	(100001-)	FLAT WASHER M12x ϕ 32x1.5	4
3	8135001	01	(100001-)	PLASTIC THRUST WASHER M12x ϕ 30x1.5	4
4	8115005	00	(100001-)	AXLE SLEEVE	2
5	8161105	02	(100001-)	BRACKET, SQGE LIFT	1
6	8160106	01	(100001-)	PIN	1
7	8115001	03	(100001-)	BRACKET, SQGE MNTG	1
8	1123115	01	(100001-)	LOCK NUT M12	6
9	1021820	01	(100001-)	HEX BOLT, M8x20	1
10	1421124	01	(100001-)	FLAT WASHER M12x ϕ 24x2.5	2
11	8163210	01	(100001-)	WHEEL, 8 INCH	2
12	1123810	01	(100001-)	LOCK NUT, M8	1
13	8163120	01	(100001-)	TRANSAXLE, KIT	1
14	1021825	01	(100001-)	HEX BOLT, M8x25	12
15	1422821	01	(100001-)	LOCK WASHER, M8	12
16	1421824	01	(100001-)	FLAT WASHER, M8x ϕ 24x2	12
17	8163122	01	(100001-)	PRESSING PLATE, TRANSAXLE	2
18	7410477	01	(100001-)	MICRO SWITCH ASSEMBLY	1
19	8160318	01	(100001-)	BRACKET, MICRO SWITCH	1
20	1510412GL	01	(100001-)	SOCKET HEAD CAP SCREW, M4X12	2
21	1510316GL	01	(100001-)	SOCKET HEAD CAP SCREW, M3X16	2
22	8163101	01	(100001-)	BRACKET, WHEEL	2
23	8161150	01	(100001-)	CASTER, 3.15 INCH	2
24	8310320	01	(100001-)	PIN, COTTER	1
25	8117009	00	(100001-)	SPRING	1
26	8161102	01	(100001-)	BRACKET, CASTER	1

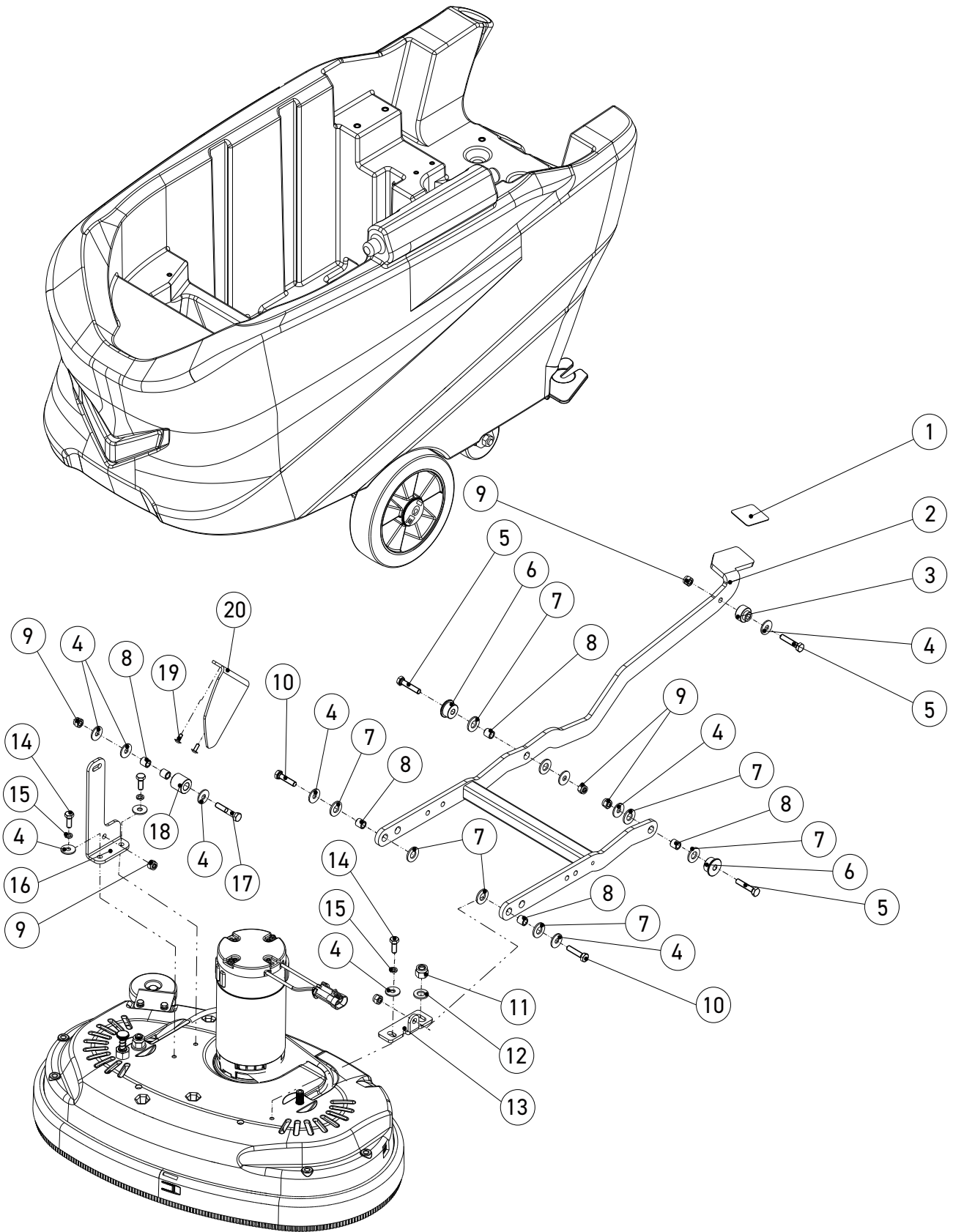
SCRUB HEAD LIFT GROUP (20Y/20YT/20YL/20YTL)



SCRUB HEAD LIFT GROUP (20Y/20YT/20YL/20YTL)

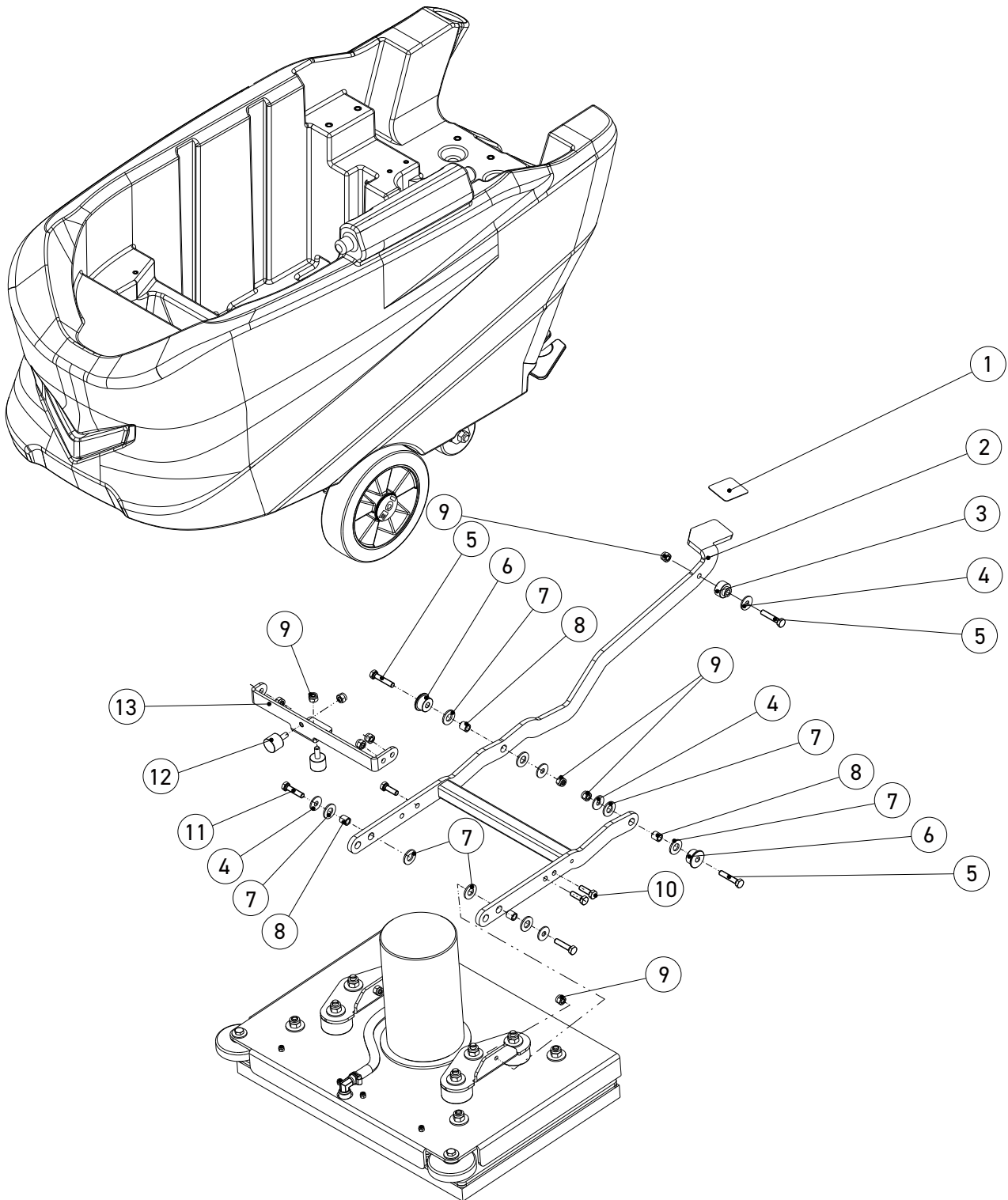
DIA No.	PART NUMBER	VER	SERIAL NUMBER	DESCRIPTION	QTY.
1	8137006	00	(100001-)	NON-SLIP MAT	1
2	8163174	01	(100001-)	BRACKET, SCRUB HEAD LIFT	1
3	8160463	01	(100001-)	STEP SLEEVE	1
4	1421824	01	(100001-)	FLAT WASHER,M8× ϕ 24×2	13
5	1021840	01	(100001-)	HEX BOLT,M8x40	3
6	8165001	01	(100001-)	STEP SLEEVE	2
7	8117007	01	(100001-)	NYLON WASHER ϕ 12.9× ϕ 24×2.5	10
8	8115404	00	(100001-)	SLEEVE, P/M	9
9	1123810	01	(100001-)	LOCK NUT, M8	7
10	1021835	01	(100001-)	HEX BOLT,M8×35	2
11	1021825	01	(100001-)	HEX BOLT,M8x25	4
12	1422821	01	(100001-)	LOCK WASHER, M8	4
13	8117002	00	(100001-)	LEFT BRACKET	1
14	8117005	00	(100001-)	SPACER(USED FOR 20YT/20YTL)	1
15	1022845	01	(100001-)	HEX BOLT M8x45	1
16	8117004	00	(100001-)	ROLLER	1
17	8117021	01	(100001-)	RIGHT BRACKET	1
18	8117008	00	(100001-)	SPRING	1
19	1022860	01	(100001-)	HEX BOLT M8x60	1
20	1514512	01	(100001-)	SCREW M5×12, SOCKET ROUND HEAD, SS	4
21	8160302	01	(100001-)	BRACKET, GUIDE	1
22	8117009	00	(100001-)	SPRING	1
23	8160303	01	(100001-)	BRACKET, SPRING	1

SCRUB HEAD LIFT GROUP (24YT/24YTL)



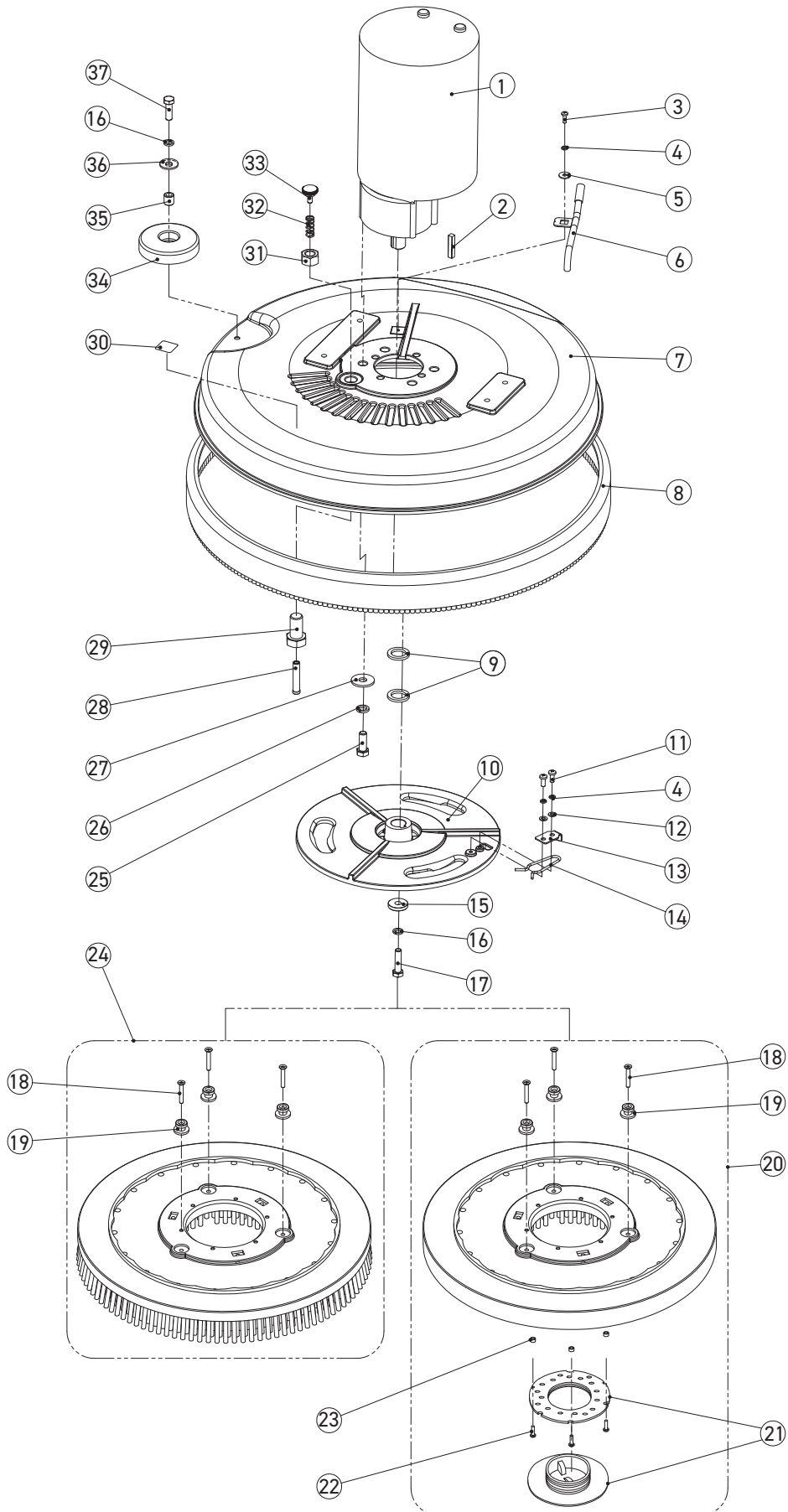
SCRUB HEAD LIFT GROUP (24YT/24YTL)

DIA No.	PART NUMBER	VER	SERIAL NUMBER	DESCRIPTION	QTY.
1	8137006	00	(100001-)	NON-SLIP MAT	1
2	8163174	01	(100001-)	BRACKET, SCRUB HEAD LIFT	1
3	8160463	01	(100001-)	STEP SLEEVE	1
4	1421824	01	(100001-)	FLAT WASHER, M8× ϕ 24×2	11
5	1021840	01	(100001-)	HEX BOLT, M8×40	3
6	8165001	01	(100001-)	STEP SLEEVE	2
7	8117007	01	(100001-)	NYLON W ASHER ϕ 12.9× ϕ 24×2.5	8
8	8115404	00	(100001-)	SLEEVE, P/M	6
9	1123810	01	(100001-)	LOCK NUT, M8	6
10	1021835	01	(100001-)	HEX BOLT, M8×35	2
11	1123115	01	(100001-)	LOCK NUT M12	1
12	1421124	01	(100001-)	FLAT WASHER M12× ϕ 24×2.5	1
13	8126011	01	(100001-)	LEFT BRACKET	1
14	1021820	01	(100001-)	HEX BOLT, M8×20	3
15	1422821	01	(100001-)	LOCK WASHER, M8	3
16	8126015	01	(100001-)	RIGHT BRACKET	1
17	1022845	01	(100001-)	HEX BOLT M8×45	1
18	8117004	00	(100001-)	ROLLER	1
19	1514512	01	(100001-)	SCREW M5×12, SOCKET ROUND HEAD, SS	2
20	8160302	01	(100001-)	BRACKET, GUIDE	1

ORBITAL HEAD LIFT GROUP (20YT-OB)

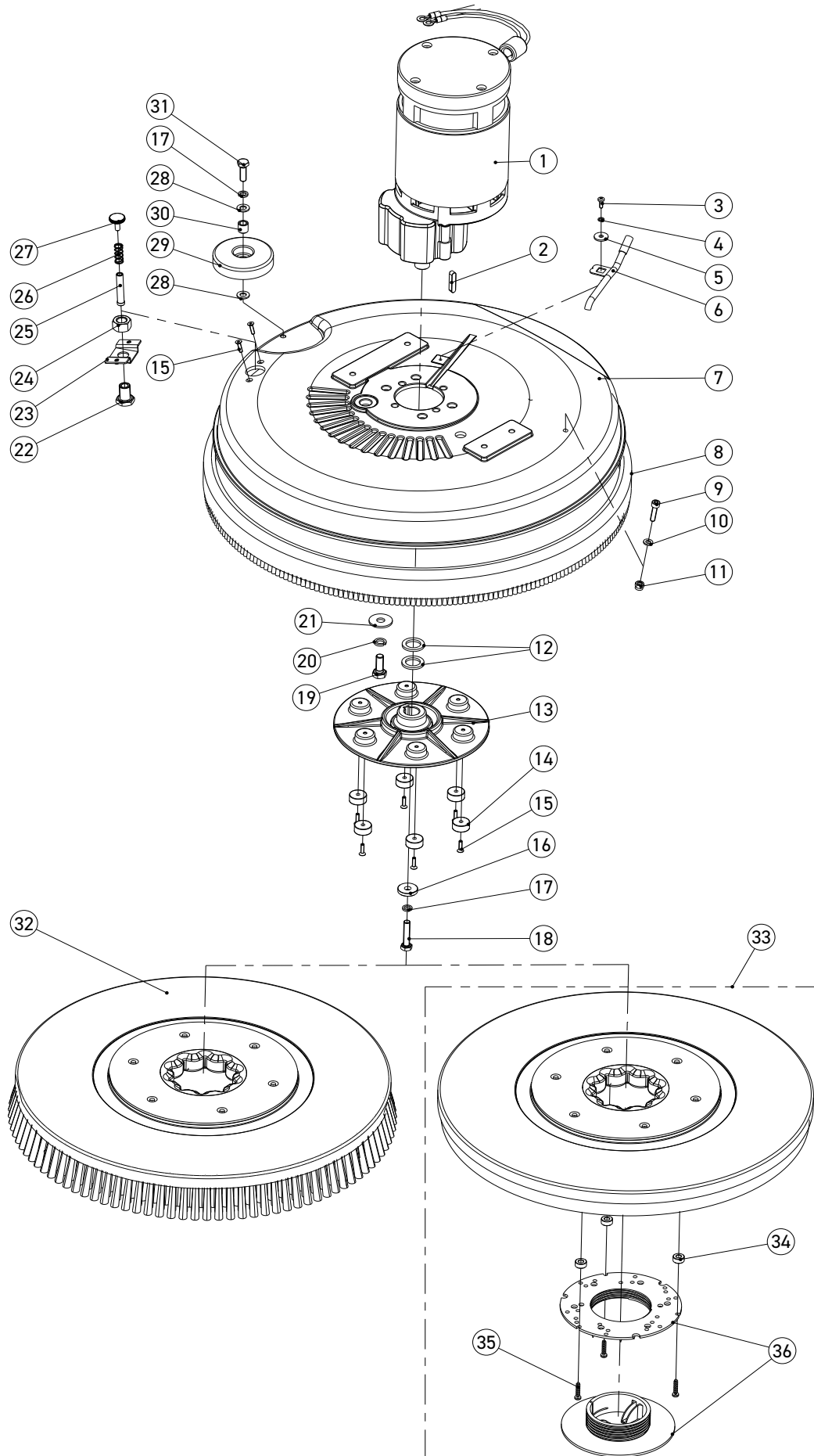
ORBITAL HEAD LIFT GROUP (20YT-OB)

DIA No.	PART NUMBER	VER	SERIAL NUMBER	DESCRIPTION	QTY.
1	8137006	00	(100001-)	NON-SLIP MAT	1
2	8163174	01	(100001-)	BRACKET, SCRUB HEAD LIFT	1
3	8160463	01	(100001-)	STEP SLEEVE	1
4	1421824	01	(100001-)	FLAT WASHER, M8× ϕ 24×2	11
5	1021840	01	(100001-)	HEX BOLT, M8x40	3
6	8165001	01	(100001-)	STEP SLEEVE	2
7	8117007	01	(100001-)	NYLON WASHER ϕ 12.9× ϕ 24×2.5	8
8	8125414	00	(100001-)	SLEEVEE, STAINLESS STEEL	4
9	1123808	01	(100001-)	LOCK NUT, M8	9
10	1021825	01	(100001-)	HEX BOLT, M8x25	3
11	1021830	01	(100001-)	HEX BOLT, M8x30	2
12	8133151	01	(100001-)	BUMPER	2
13	8146532	01	(100001-)	BRACKET, ORBITAL HEAD LIFT	1

SCRUB HEAD GROUP, 3 LUG (20Y/20YT/20YL/20YTL)

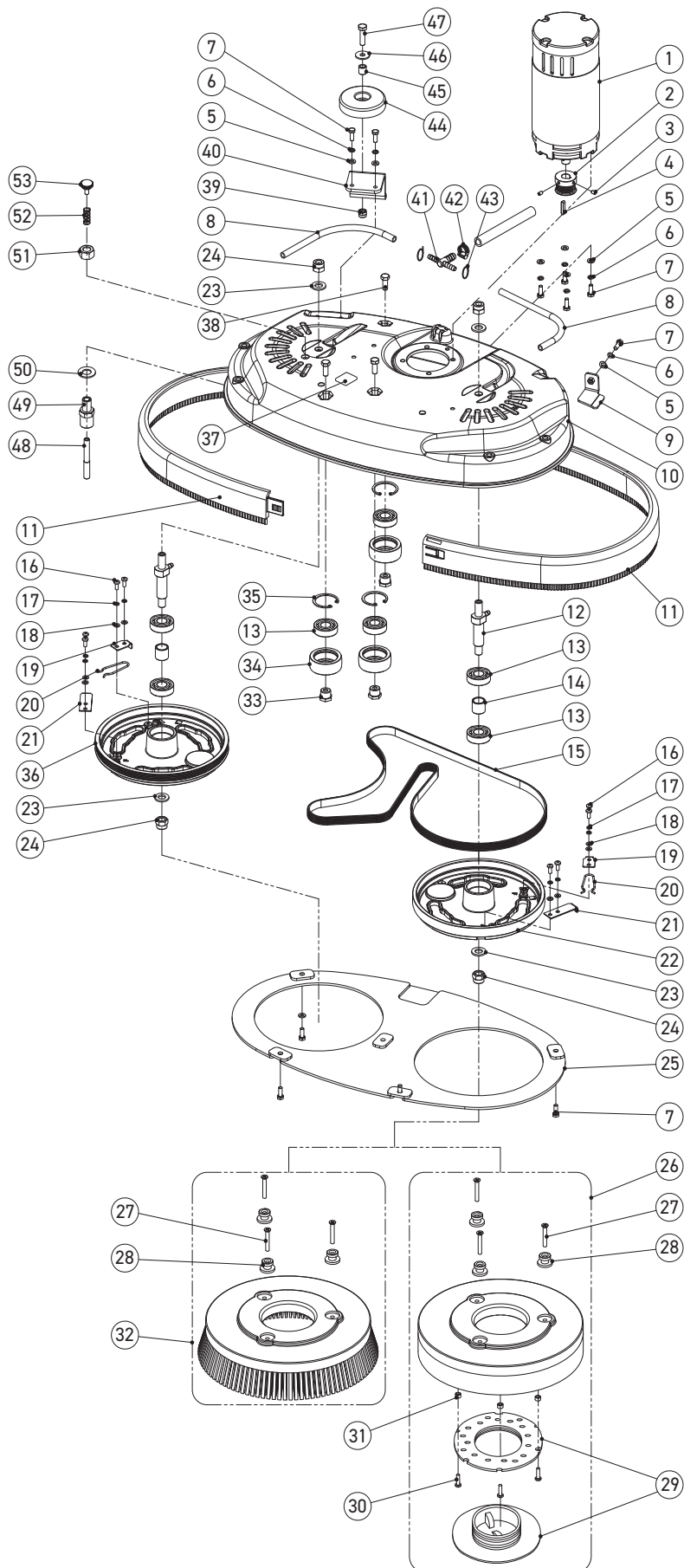
SCRUB HEAD GROUP, 3 LUG (20Y/20YT/20YL/20YTL)

DIA No.	PART NUMBER	VER	SERIAL NUMBER	DESCRIPTION	QTY.
1	8161117	01	(100001-)	BRUSH MOTOR, 24VDC 1.0HP, KIT	1
	8116601	01	(100001-)	CARBON BRUSH,MOTOR	2
2	1656433	01	(100001-)	KEY	1
3	1221412	01	(100001-)	SCREW M4×12	1
4	1422513	01	(100001-)	LOCK WASHER M5	3
5	1421518	01	(100001-)	FLAT WASHER M5× Ø18×2	1
6	8116100	01	(100001-)	WATER SUPPLY TUBE	1
7	8116006	00	(100001-)	SCRUB HEAD HOUSING	1
8	8116020	01	(100001-)	BUMPER, SCRUB HEAD	1
9	8116001	00	(100001-)	SPACER	2
10	8116008	01	(100001-)	HUB, DRIVE, 3 LUG	1
11	1514512	01	(100001-)	SCREW M5×12, SOCKET ROUND HEAD, SS	2
12	1421510	01	(100001-)	FLAT WASHER M5×Ø10×1,SS	2
13	8116002	00	(100001-)	BRUSH CLAMP PLATE	1
14	8116003	00	(100001-)	SPRING CLIP	1
15	8116010	00	(100001-)	FLAT WASHER Ø8.5× Ø25.4×4.5	1
16	1422821	01	(100001-)	LOCK WASHER M8	2
17	1023815	01	(100001-)	HEX BOLT 5/16-18 ×1.5" UNC	1
18	1222635	01	(100001-)	SCREW, M6X35	6
19	8116030	01	(100001-)	STUD	6
20	9040019	01	(100001-)	19" PAD DRIVER, BIG MOUTH, 3LUG	1
	9040019K	01	(100001-)	19" PAD DRIVER ,CENTER-LOK 3, 3LUG (OPTIONAL)	1
21	9000001	01	(100001-)	BIG MOUTH	1
	9000003	01	(100001-)	CENTER-LOK 3 (OPTIONAL)	1
22	1321325	01	(100001-)	SELF-TAPPING SCREW, ST4.8X25	3
23	8116040	01	(100001-)	SPACER	3
24	9050020	01	(100001-)	20" BRUSH, 0.7mm BLACK PP BRISTLE, 3LUG	1
	9050020B	01	(000001-)	20" BRUSH, 1.5~2.0mm BROWN BRISTLE, 3LUG (OPTIONAL)	1
	9050020E	01	(100001-)	20" BRUSH, 0.5mm BLUE PP BRISTLE, 3LUG (OPTIONAL)	1
	9050020P	01	(000001-)	20" BRUSH, 0.5mm WHITE PA66 BRISTLE, 3LUG (OPTIONAL)	1
	9050020W	01	(000001-)	20" BRUSH, 0.35mm WHITE PP BRISTLE, 3LUG(OPTIONAL)	1
25	1023010	01	(100001-)	HEX BOLT 3/8-16 ×1" UNC	4
26	1422026	01	(100001-)	LOCK WASHER M10	4
27	1421030	01	(100001-)	FLAT WASHER M10× Ø30×2.5	4
28	8116202	00	(100001-)	PIN	1
29	8116205	01	(100001-)	SCREW M14 × 20	1
30	8111023	01	(100001-)	WARNING LABEL	1
31	1121913	01	(100001-)	HEX NUT M14	1
32	8116204	00	(100001-)	SRPING	1
33	8116210	01	(100001-)	KNOB M6	1
34	8116009	00	(100001-)	PROTECTIVE WHEEL	1
35	8115404	00	(100001-)	SLEEVE, P/M	1
36	1421824	01	(100001-)	FLAT WASHER,M8×Ø24×2	1
37	1021825	01	(100001-)	HEX BOLT M8×25	1

SCRUB HEAD GROUP, MAGNET(20Y/20YT/20YL/20YTL)

SCRUB HEAD GROUP, MAGNET(20Y/20YT/20YL/20YTL)

DIA No.	PART NUMBER	VER	SERIAL NUMBER	DESCRIPTION	QTY.
1	8161117	01	(100001-)	BRUSH MOTOR, 24VDC 1.0HP, KIT	1
	8116601	01	(100001-)	CARBON BRUSH,MOTOR	2
2	1656433	01	(100001-)	KEY	1
3	1221412	01	(100001-)	SCREW M4×12	1
4	1422513	01	(100001-)	LOCK WASHER M5	3
5	1421518	01	(100001-)	FLAT WASHER M5× Ø 18×2	1
6	8116100	01	(100001-)	WATER SUPPLY TUBE	1
7	8116006	00	(100001-)	SCRUB HEAD HOUSING	1
8	8116020	01	(100001-)	BUMPER, SCRUB HEAD	1
9	1521625	01	(100001-)	SCREW M6×25,HEX SOCKET	1
10	1421612	01	(100001-)	FLAT WASHER M6×Ø12×1.6	1
11	1123608	01	(100001-)	LOCK NUT M6	1
12	8116001	01	(100001-)	SPACER	2
13	8630112	01	(100001-)	HUB, DRIVE, MAGNETISM	1
14	8630113	01	(100001-)	MAGNET	6
15	1513416GL	01	(100001-)	SCREW, HEX SOCKET, M4×16	8
16	8116010	00	(100001-)	FLAT WASHER Ø8.5× Ø25.4×4.5	1
17	1422821	01	(100001-)	LOCK WASHER M8	2
18	1023815	01	(100001-)	HEX BOLT 5/16-18 ×1.5" UNC	1
19	1023010	01	(100001-)	HEX BOLT 3/8-16 ×1" UNC	4
20	1422026	01	(100001-)	LOCK WASHER M10	4
21	1421030	01	(100001-)	FLAT WASHER M10× Ø30×2.5	4
22	8116205	01	(100001-)	SCREW M14 × 20	1
23	8631107	01	(100001-)	BRACKET	1
24	1121913	01	(100001-)	HEX NUT M14	1
25	8630106	02	(100001-)	PIN	1
26	8116204	00	(100001-)	SPRING	1
27	8116210	01	(100001-)	KNOB M6	1
28	1421824	01	(100001-)	FLAT WASHER,M8×Ø24×2	2
29	8116009	00	(100001-)	PROTECTIVE WHEEL	1
30	8115404	01	(100001-)	SLEEVE, P/M	1
31	1021825	01	(100001-)	HEX BOLT, M8×25	1
32	9052020	01	(100001-)	20" BRUSH, 0.7mm BLACK PP BRISTLE, MAGNET	1
	9052020E	01	(000001-)	20" BRUSH, 0.5mm BLUE PP BRISTLE, MAGNET (OPTIONAL)	1
	9052020P	01	(000001-)	20" BRUSH, 0.5mm WHITE PA66 BRISTLE, MAGNET (OPTIONAL)	1
33	9042020	02	(100001-)	19" PAD DRIVER, BIG MOUTH, MAGNET	1
	9042020K	01	(000001-)	19" PAD DRIVER, CENTER-LOK 3, MAGNET (OPTIONAL)	1
34	8116040	01	(000001-)	SPACER	3
35	1321325	01	(000001-)	SELF-TAPPING SCREW,ST5×25	3
36	9000001	01	(000001-)	BIG MOUTH	1
	9000003	01	(000001-)	CENTER-LOK 3 (OPTIONAL)	1

SCRUB HEAD GROUP(24YT/24YTL)

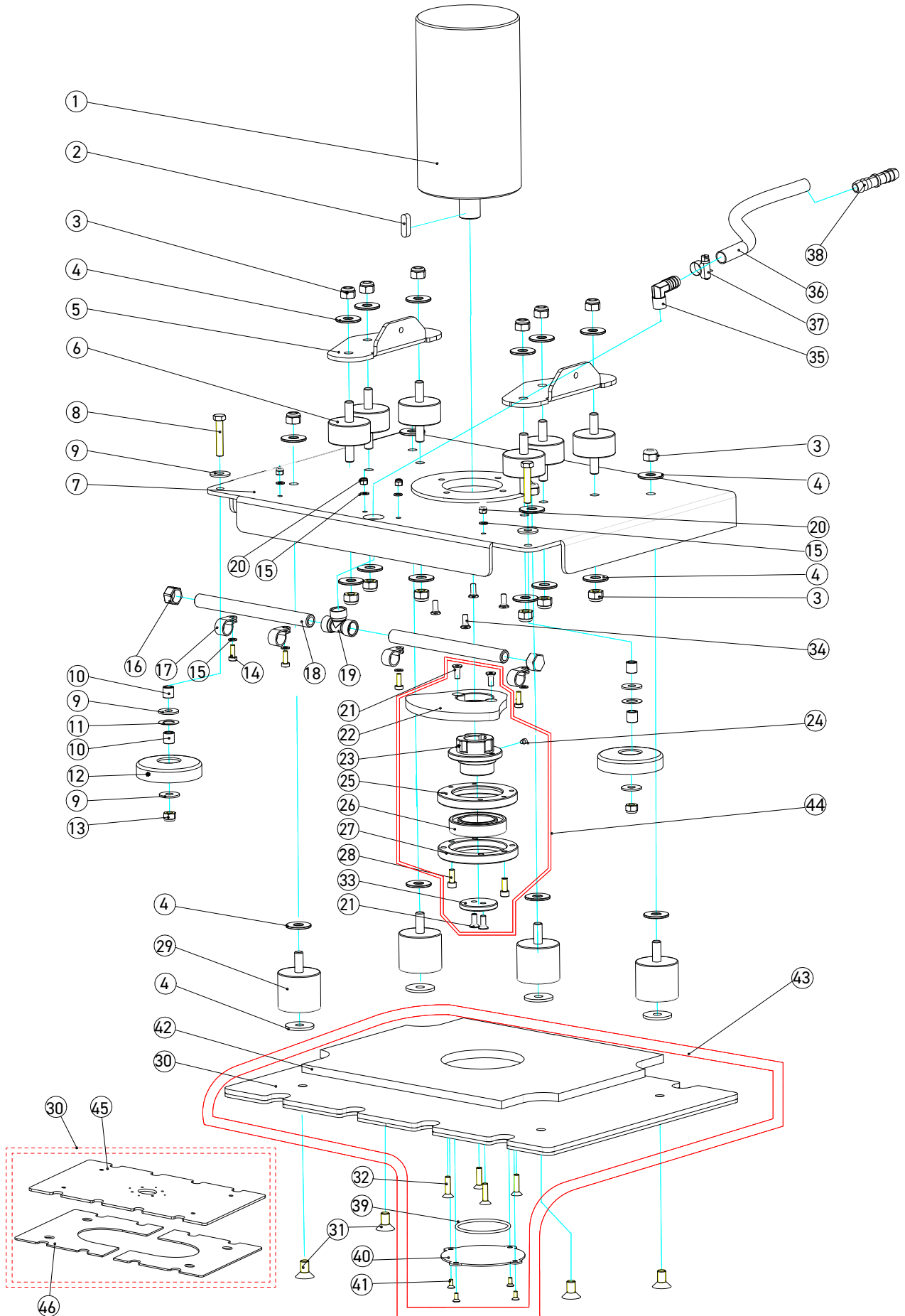
SCRUB HEAD GROUP (24YT/24YTL)

DIA No.	PART NUMBER	VER	SERIAL NUMBER	DESCRIPTION	QTY.
1	8160530	01	(100001-)	BRUSH MOTOR, 24VDC 680W 2000RPM, KIT	1
	8210850	01	(100001-)	CARBON BRUSH, MOTOR	2
2	8126006	01	(100001-)	SHEAVE, SS	1
3	1534508	01	(100001-)	SCREW, SET, M5X8	2
4	1655025	01	(100001-)	KEY, 5X5X25	1
5	1421612	01	(100001-)	FLAT WASHER M6× Ø12×1.6	7
6	1422616	01	(100001-)	LOCK WASHER, M6	7
7	1021616	01	(100001-)	HEX BOLT M6×16	12
8	8119301	01	(100001-)	TUBING, ID=6mm, L=250mm	2
9	8126007	01	(100001-)	BRACKET, GUIDE, BELT	1
10	8126002	01	(100001-)	SCRUB HEAD HOUSING	1
11	8126050	01	(100001-)	BUMPER, SCRUB HEAD	2
12	8126040	01	(100001-)	SHAFT, PULLY	2
13	1612203	01	(100001-)	BEARING, 6203RS	7
14	8126008	01	(100001-)	BUSHING	2
15	8126005	01	(100001-)	BELT, 6PJ1598	1
16	1221512	01	(100001-)	SCREW M5×12	8
17	1422513	01	(100001-)	LOCK WASHER M5	8
18	1421510	01	(100001-)	FLAT WASHER M5×Ø10×1, SS	8
19	8116002	01	(100001-)	BRUSH CLAMP PLATE	2
20	8116003	01	(100001-)	SPRING CLIP	2
21	8126009	01	(100001-)	PLATE, CLAMP, BRUSH	2
22	8126004	01	(100001-)	HUB, DRIVER, 3LUG, PULLY	1
23	1421124	01	(100001-)	FLAT WASHER M12xØ24x2.5	4
24	1123115	01	(100001-)	LOCK NUT M12	4
25	8126020	01	(100001-)	BRACKET, GUARD, SPLASH	1
26	9040011	01	(100001-)	11" PAD DRIVER,CONFIGURE BIG MOUTH	2
	9040011K	01	(100001-)	11" PAD DRIVER,CONFIGURE CENTER-LOK 3(OPTIONAL)	2
	9040011U	01	(100001-)	11" PAD DRIVER,CONFIGURE BIG MOUTH WITH L-800 LUGS(OPTIONAL)	2
27	1222635	01	(100001-)	SCREW, M6X35	12
28	8116030	01	(100001-)	STUD	12
29	9000001	01	(100001-)	BIG MOUTH	2
	9000003	01	(100001-)	CENTER-LOK 3 (OPTIONAL)	2
30	1321325	01	(100001-)	SELF-TAPPING SCREW, ST4.8X25	6
31	8116040	01	(100001-)	SPACER	6
32	9050012	01	(100001-)	12" BRUSH, 0.5mm BLACK PP BRISTLE	2
	9050012B	01	(100001-)	12" BRUSH, 1.5~2.0mm BROWN BRISTLE (OPTIONAL)	2
	9050012P	01	(100001-)	12" BRUSH, 0.5mm WHITE PA66 BRISTLE(OPTIONAL)	2
	9050012P-A	00	(100001-)	12" BRUSH, 0.5mm WHITE PA66 BRISTLE WITH L-800 LUGS(OPTIONAL)	2
	9050012U	00	(100001-)	12" BRUSH, 0.5mm BLACK PP BRISTLE WITH L-800 LUGS(OPTIONAL)	2

SCRUB HEAD GROUP (24YT/24YTL)

DIA No.	PART NUMBER	VER	SERIAL NUMBER	DESCRIPTION	QTY.
33	8126032	01	(100001-)	SPACER, IDLER	3
34	8126031	01	(100001-)	PULLEY, IDLER	3
35	1437040	01	(100001-)	RING, RETAINING, 40	3
36	8126003	01	(100001-)	HUB, DRIVE, 3LUG, 6GRV	1
37	8111023	01	(100001-)	WARNING LABEL	1
38	1021820	01	(100001-)	HEX BOLT, M8×20	3
39	1123810	01	(100001-)	LOCK NUT M8	1
40	8126012	01	(100001-)	BRACKET, WALL-ROLLER	1
41	8119004	01	(100001-)	FITTING, PLASTIC, TEE	1
42	1962016	01	(100001-)	CLAMP, 10-16mm	1
43	1914300	01	(100001-)	TIE, NYLON, 5X300	2
44	8116009	01	(100001-)	PROTECTIVE WHEEL	1
45	8115404	01	(100001-)	SLEEVE, P/M	1
46	1421824	01	(100001-)	FLAT WASHER M8× Ø 24×2	1
47	1021825	01	(100001-)	HEX BOLT, M8×25	1
48	8126202	01	(100001-)	PIN	1
49	8126205	01	(100001-)	GUIDE, M14X20	1
50	1421428	01	(100001-)	FLAT WASHER M14× Ø 28×2.0	1
51	1121913	01	(100001-)	NUT M14	1
52	8116204	01	(100001-)	SPRING	1
53	8116210	01	(100001-)	KNOB M6	1

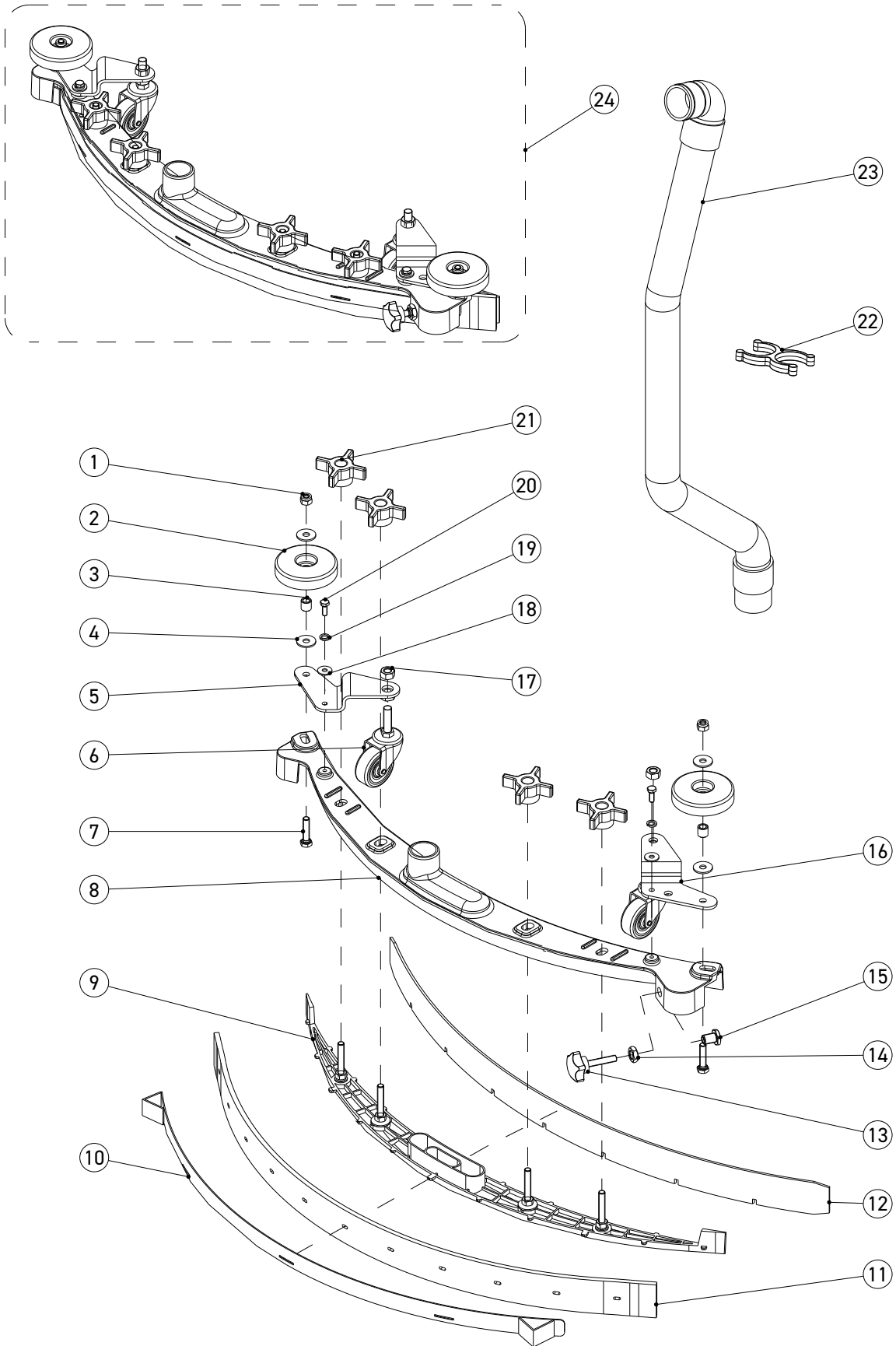
ORBITAL HEAD GROUP (20YT-OB)



ORBITAL HEAD GROUP (20YT-OB)

DIA No.	PART NUMBER	VER	SERIAL NUMBER	DESCRIPTION	QTY.
1	8160540	01	(100001-)	MOTOR, 24VDC 550W 2200RPM, KIT	1
2	8146110	01	(100001-)	KEY, 8×7×28	1
3	1123012	01	(100001-)	LOCK NUT, M10	16
4	1421030	01	(100001-)	FLAT WASHER M10×Ø30×2.5	24
5	8146520	01	(100001-)	MOUNTING BRACKET, ORBITAL HEAD	2
6	8146116	00	(100001-)	ISOLATORS, M10×25	6
7	8146501	01	(100001-)	BRACKET, MOTOR MOUNTING	1
8	1022845	01	(100001-)	HEX BOLT M8×45	2
9	1421824	01	(100001-)	FLAT WASHER M8×Ø24×2	6
10	8115404	00	(100001-)	SLEEVE, P/M	4
11	1435013	01	(100001-)	WAVE WASHER	2
12	8116009	00	(100001-)	PROTECTIVE WHEEL	2
13	1123810	01	(100001-)	LOCK NUT, M8	2
14	1221515	01	(100001-)	SCREW, M5×15	4
15	1421510	01	(100001-)	FLAT WASHER M5×Ø10×1, SS	8
16	8146303	00	(100001-)	END CAP 3/8	2
17	8146305	01	(100001-)	PLASTIC CLAMP	4
18	8146508	00	(100001-)	PVC TUBING	2
19	8146301	01	(100001-)	TEE FITTING 3/8	1
20	1123507	01	(100001-)	LOCK NUT M5	4
21	1513616	01	(100001-)	HEX SOCKET SCREW, M6×16	4
22	8146202	01	(100001-)	ECCENTRIC	1
23	8146201	03	(100001-)	ECCENTRIC SHAFT	1
24	1535610	01	(100001-)	SET SCREW, M6×10	1
25	8146204	00	(100001-)	BEARING HOUSING	1
26	1612608	01	(100001-)	BALL BEAING 6008	1
27	8146203	00	(100001-)	BEARING HOUSING	1
28	1521616	01	(100001-)	HEX SOCKET BOLT M6×16	2
29	8146107	00	(100001-)	ISOLATORS, M10×25	4
30	8146502	01	(100001-)	PAD DRIVER	1
31	1513020	01	(100001-)	HEX SOCKET SCREW, M10×20	4
32	1513625	01	(100001-)	HEX SOCKET SCREW, M6×25	4
33	8146205	00	(100001-)	PLATE	1
34	1513620	01	(100001-)	HEX SOCKET SCREW, M6×20	4
35	8146511	00	(100001-)	ELBOW, 3/8	1
36	8146512	01	(100001-)	TUBING, WIRE REINFORCED	1
37	1962016	01	(100001-)	CLAMP,HOSE 3/8"	1
38	8119012	02	(100001-)	COUPLER	1
39	1623660	01	(100001-)	O RING SEAL	1
40	8146208	00	(100001-)	SEALING COVER	1
41	1222410	01	(100001-)	SCREW M4X10	4
42	8146209	00	(100001-)	MAT	1
43	8146700	01	(100001-)	VIBRATE WORKING DISK ASSEMBLY	1
44	8146200	01	(100001-)	ECCENTRIC SHAFT KIT	1
45	8146503	03	(100001-)	WORK TRAY	1
46	8146504	00	(100001-)	REPLACEMENT GRIP FACE	2

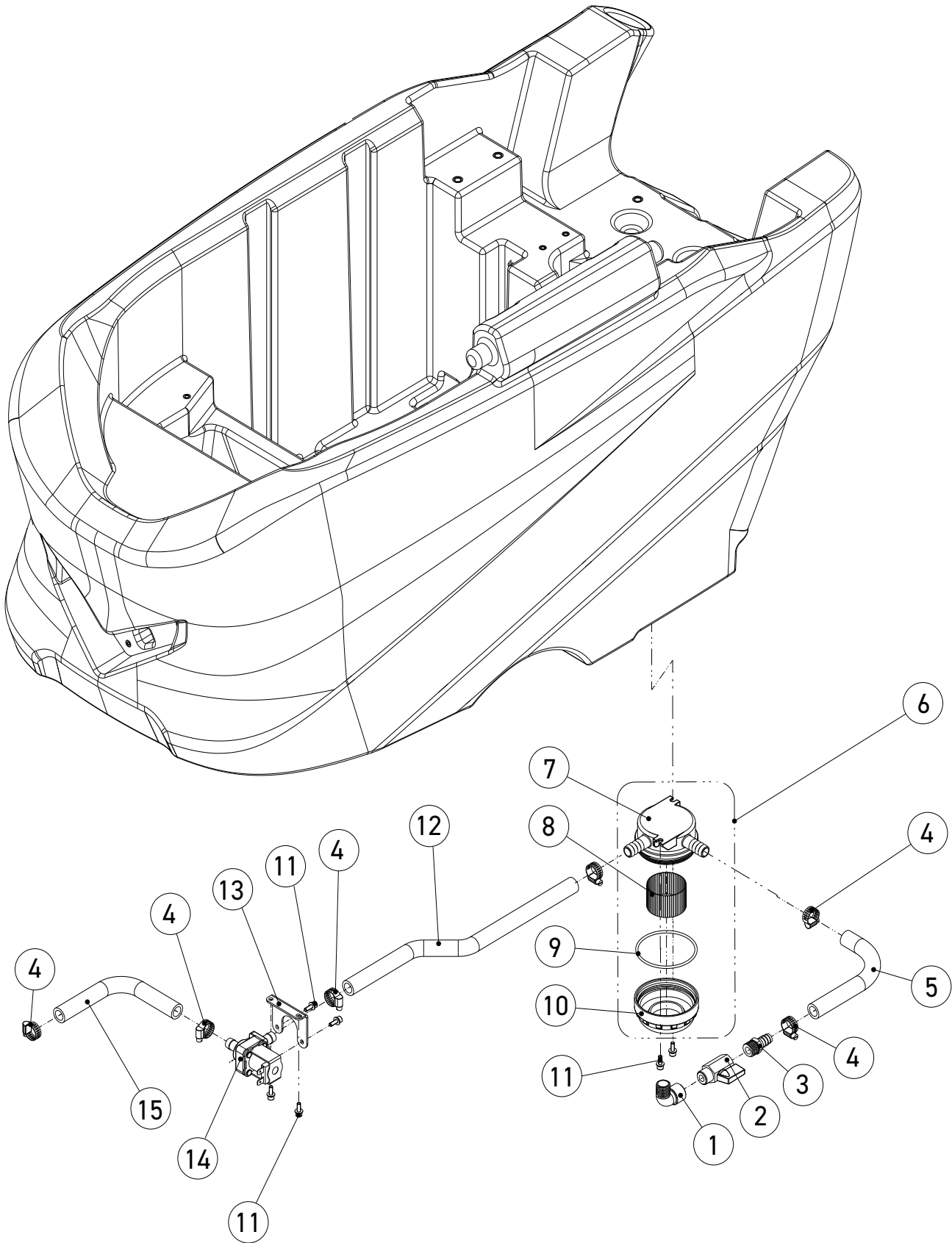
SQUEEGEE GROUP



SQUEEGEE GROUP

DIA No.	PART NUMBER	VER	SERIAL NUMBER	DESCRIPTION	QTY.
1	1123810	01	(100001-)	LOCK NUT, M8	2
2	8116009	01	(100001-)	PROTECTIVE WHEEL	2
3	8115404	01	(100001-)	SLEEVE, P/M	2
4	1421824	01	(100001-)	FLAT WASHER, M8×Ø24×2	6
5	8118300	01	(100001-)	LEFT BRACKET	1
6	8158007	01	(100001-)	CASTER, 2 INCH	2
7	1021835	01	(100001-)	HEX BOLT, M8×35	2
8	8158001	01	(100001-)	SQUEEGEE HOUSING	1
9	8158002	01	(100001-)	RETAINER	1
10	8158005	01	(100001-)	CLAMP ASSEMBLY	1
11	8118055	01	(100001-)	REAR BLADE, RED, LINATEX	1
	8118155	01	(100001-)	REAR BLADE, BLUE, PU (OPTIONAL)	1
12	8118054	01	(100001-)	FRONT BLADE, RED, LINATEX	1
	8118154	01	(100001-)	FRONT BLADE, BLUE, PU (OPTIONAL)	1
13	8158010	01	(100001-)	STAR SCREW, M8×41	1
14	1121206	01	(100001-)	NUT, M12	1
15	8158016	01	(100001-)	BOLT	1
16	8118200	01	(100001-)	RIGHT BRACKET	1
17	1121008	01	(100001-)	HEX NUT M10	2
18	1421618	01	(100001-)	FLAT WASHER M6×Ø18×1.6, SS	2
19	1422821	01	(100001-)	LOCK WASHER, M8	6
20	1021616	01	(100001-)	HEX BOLT, M6×16, SS	2
21	8158013	01	(100001-)	STAR KNOB M8	4
22	8118109	01	(100001-)	HOLDER VACUUM HOSE	1
23	8310270	01	(100001-)	VACUUM HOSE	1
24	8158000	01	(100001-)	SQUEEGEE ASSEMBLY, 31.5 INCH	1

SOLUTION GROUP



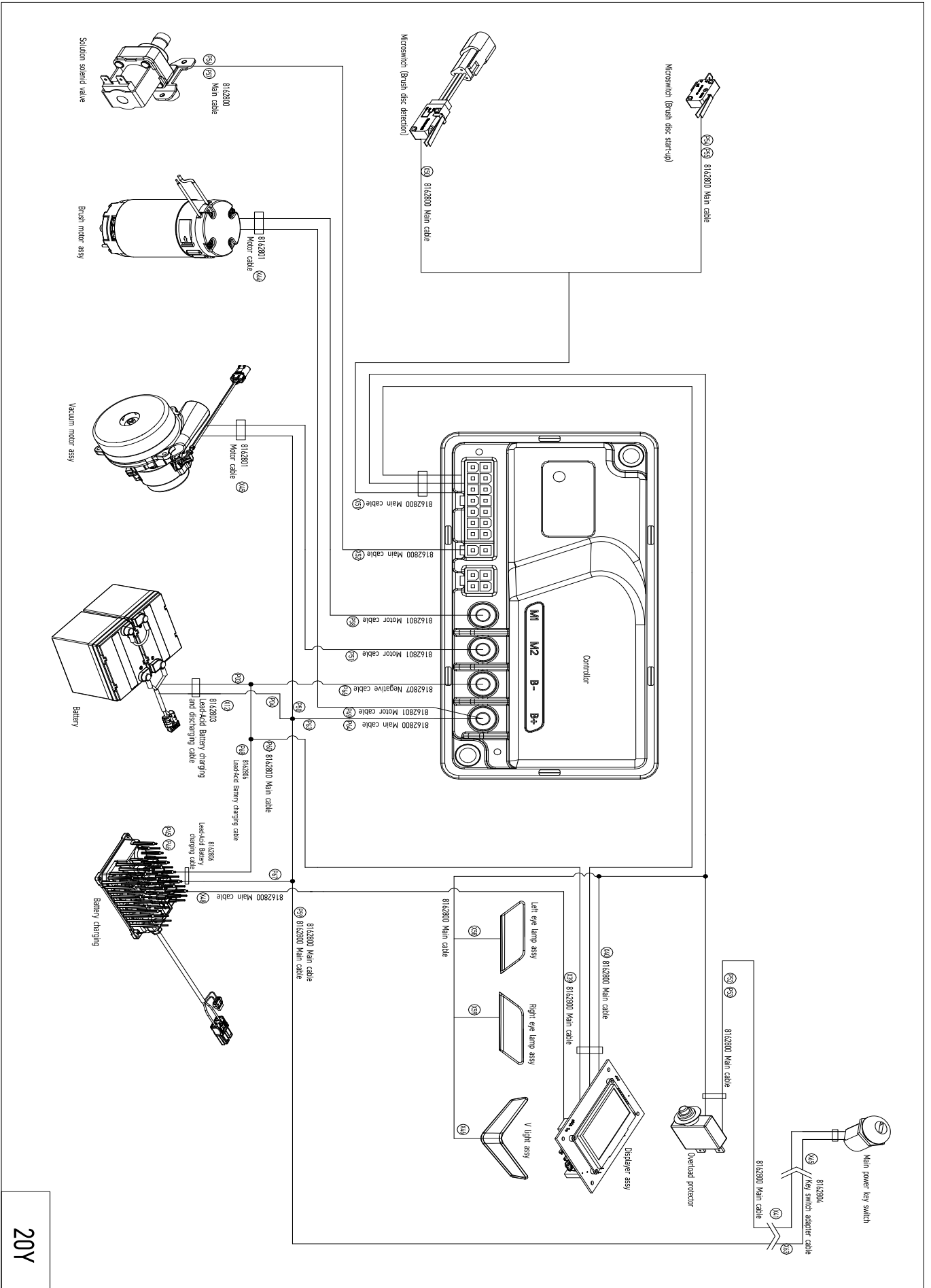
SOLUTION GROUP

DIA No.	PART NUMBER	VER	SERIAL NUMBER	DESCRIPTION	QTY.
1	8013006	02	(100001-)	ELBOW G 3/8"	1
2	8018006	01	(100001-)	BALL VALVE, G 3/8"	1
3	8013007	01	(100001-)	TUBING FITTING	1
4	1962016	01	(100001-)	CLAMP, 10-16mm	6
5	8160312	01	(100001-)	TUBING ID=12MM L=180MM	1
6	8119200	01	(100001-)	FILTER ASSEMBLY (40 MESH)	1
7	8119101	01	(100001-)	BASE, FILTER ASSEMBLY	1
8	8119104	01	(100001-)	SCREEN, FILTER, 40 MESH	1
9	1623660	01	(100001-)	O RING	1
10	8119102	01	(100001-)	CAP, FILTER ASSEMBLY	1
11	1510412GL	01	(100001-)	SOCKET HEAD CAP SCREW, M4X12	6
12	8160311	01	(100001-)	TUBING ID=12MM L=325MM	1
13	8160315	01	(100001-)	BRACKET, SOLENOID VALVE	1
14	8119003	01	(100001-)	SOLENOID VALVE,24VDC	1
15	8160313	01	(100001-)	TUBING ID=10MM L=230MM	1

WEARABLE PARTS

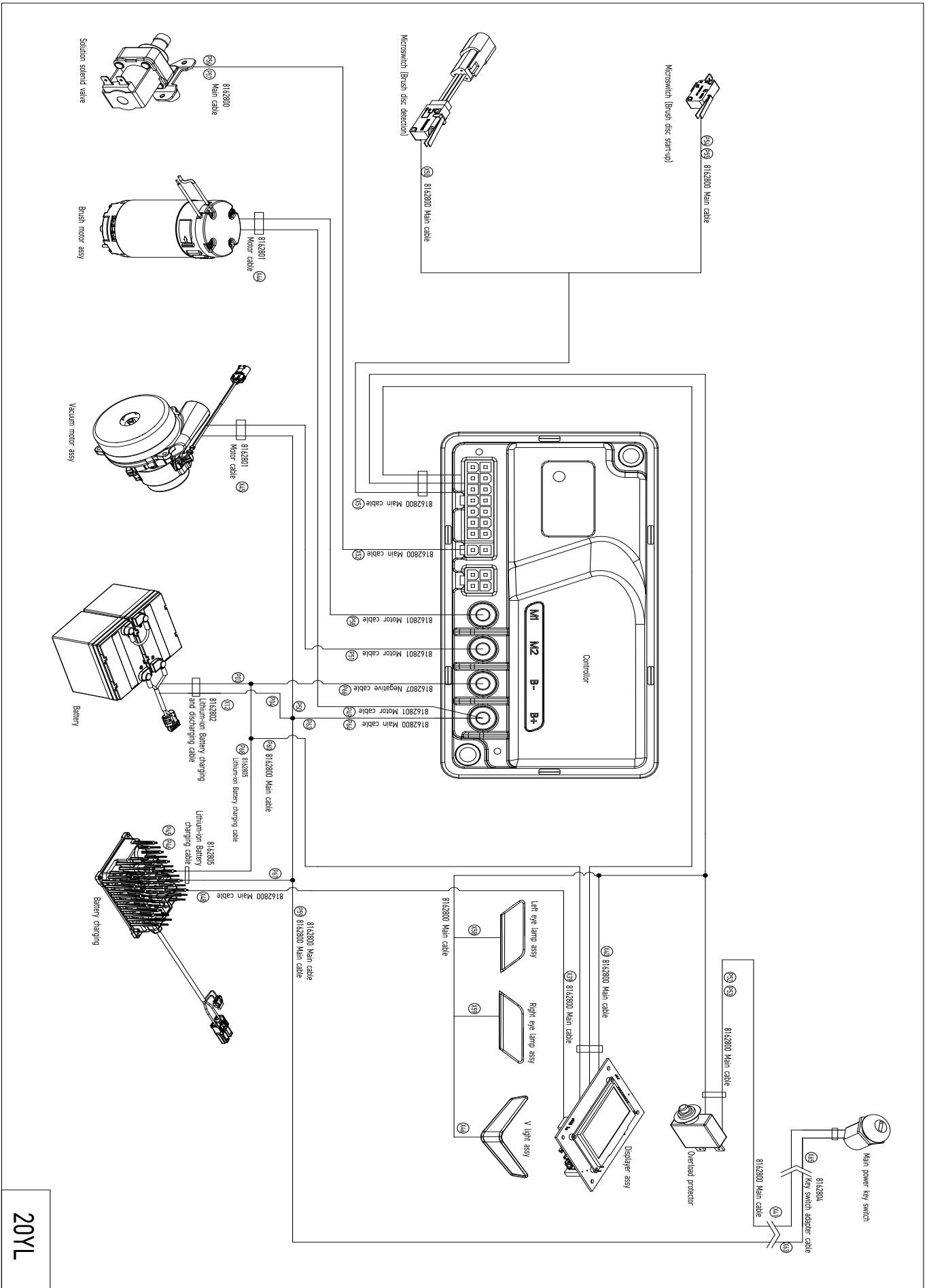
DIA No.	PART NUMBER	DESCRIPTION	QTY.
1	8115400	WHEEL, 8 INCH(FOR 20Y/20YL)	2
	8163210	WHEEL, 8 INCH(FOR 20YT/20YT-OB/24YT/20YTL/24YTL)	2
2	8116009	PROTECTIVE WHEEL	2
3	8158007	CASTER,2 INCH	2
4	8118055	REAR BLADE, RED, LINATEX	1
	8118155	REAR BLADE, BLUE,PU (OPTIONAL)	1
5	8118054	FRONT BLADE, RED, LINATEX	1
	8118154	FRONT BLADE, BLUE,PU (OPTIONAL)	1
6	8116020	BUMPER, SCRUB HEAD(FOR 20Y/20YT/20YL/20YTL)	1
7	8126050	BUMPER, SCRUB HEAD(FOR 24YT/24YTL)	1
8	9040019	19" PAD DRIVER, BIG MOUTH, 3LUG	1
	9040019K	19" PAD DRIVER ,CENTER-LOK 3, 3LUG (OPTIONAL)	1
9	9042020	19" PAD DRIVER, BIG MOUTH, MAGNET	1
	9042020K	19" PAD DRIVER, CENTER-LOK 3, MAGNET (OPTIONAL)	1
10	9050020	20" BRUSH, 0.7mm BLACK PP BRISTLE, 3LUG	1
	9050020B	20" BRUSH, 1.5~2.0mm BROWN BRISTLE, 3LUG (OPTIONAL)	1
	9050020E	20" BRUSH, 0.5mm BLUE PP BRISTLE, 3LUG (OPTIONAL)	1
	9050020P	20" BRUSH, 0.5mm WHITE PA66 BRISTLE, 3LUG (OPTIONAL)	1
	9050020W	20" BRUSH, 0.35mm WHITE PP BRISTLE, 3LUG (OPTIONAL)	1
11	9052020	20" BRUSH, 0.7mm BLACK PP BRISTLE , MAGNET	1
	9052020E	20" BRUSH, 0.5mm BLUE PP BRISTLE , MAGNET (OPTIONAL)	1
	9052020P	20" BRUSH, 0.5mm WHITE PA66 BRISTLE , MAGNET (OPTIONAL)	1
12	9040011	11" PAD DRIVER, BIG MOUTH	2
	9040011K	11" PAD DRIVER, CENTER-LOK 3(OPTIONAL)	2
	9040011U	11" PAD DRIVER, BIG MOUTH WITH L-800 LUGS(OPTIONAL)	2
13	9050012	12" BRUSH, 0.5mm BLACK PP BRISTLE	2
	9050012B	12" BRUSH, 1.5~2.0mm BROWN BRISTLE (OPTIONAL)	2
	9050012P	12" BRUSH, 0.5mm WHITE PA66 BRISTLE (OPTIONAL)	2
	9050012P-A	12" BRUSH, 0.5mm WHITE PA66 BRISTLE WITH L-800 LUGS (OPTIONAL)	2
	9050012U	12" BRUSH, 0.5mm BLACK PP BRISTLE WITH L-800 LUGS (OPTIONAL)	2

WIRING DIAGRAM(20Y)



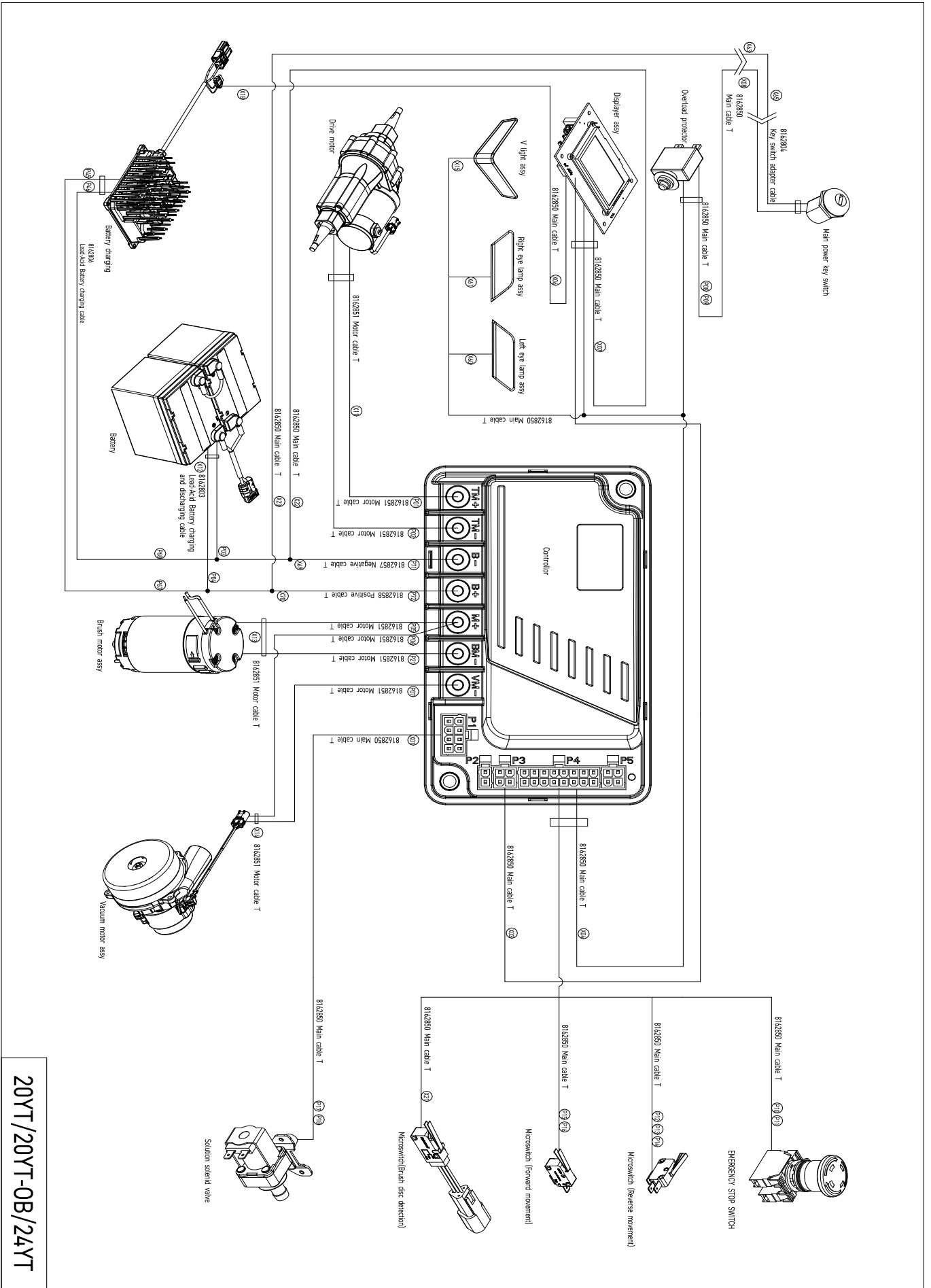
20Y

WIRING DIAGRAM(20YL)



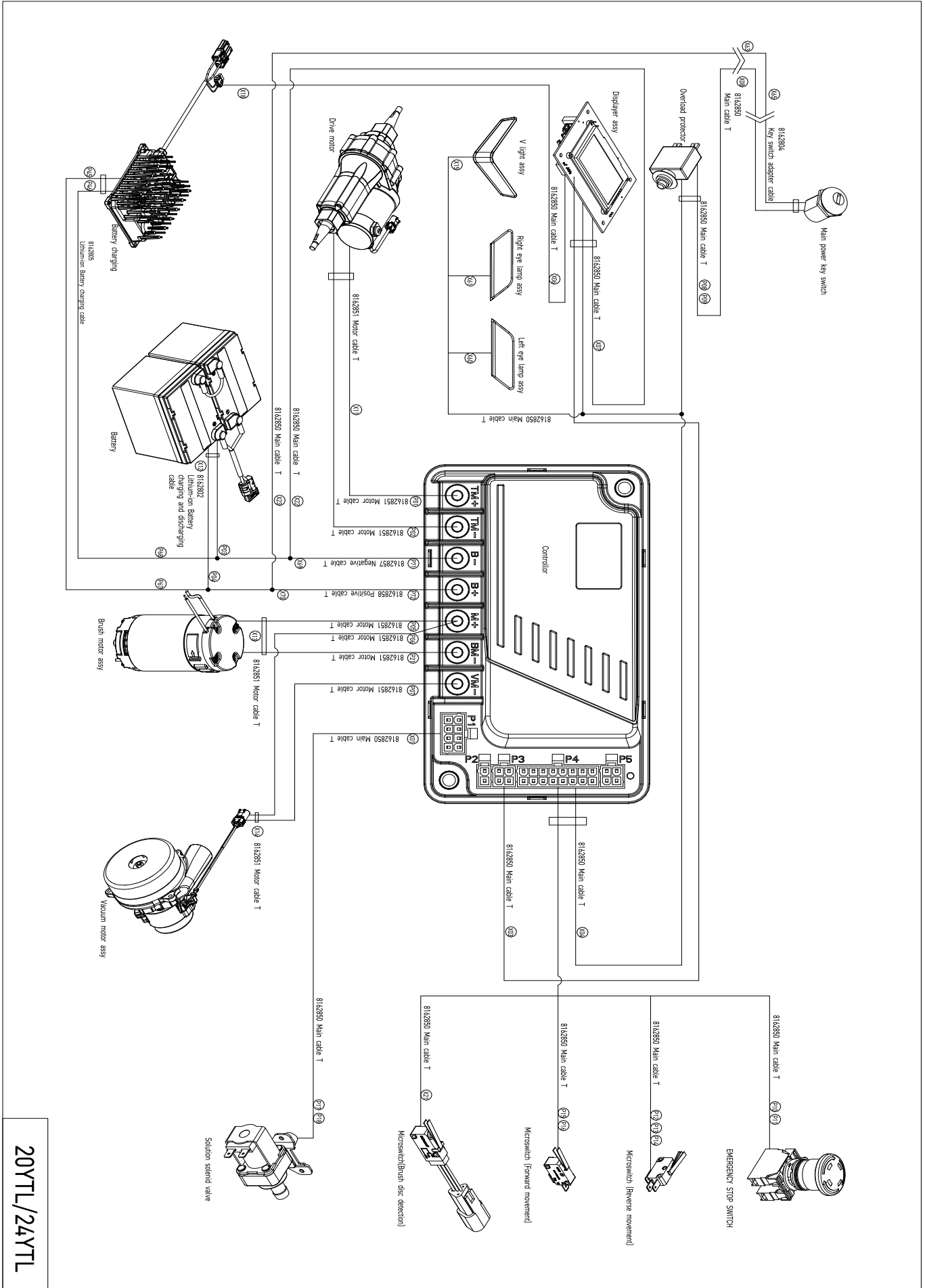
20YL

WIRING DIAGRAM(20YT/20YT-OB/24YT)



20YT/20YT-OB/24YT

WIRING DIAGRAM(20YT/24YT)



20YT/24YT

CERTIFICATE OF QUALIFIED

MODEL: _____

SERIAL NO.: _____

INSPECTOR: _____

DATE: _____

ICE Cobotics (GuangDong) Company Limited

TEL:(+86) 769 8186 9000 FAX:(+86) 769 8186 3000