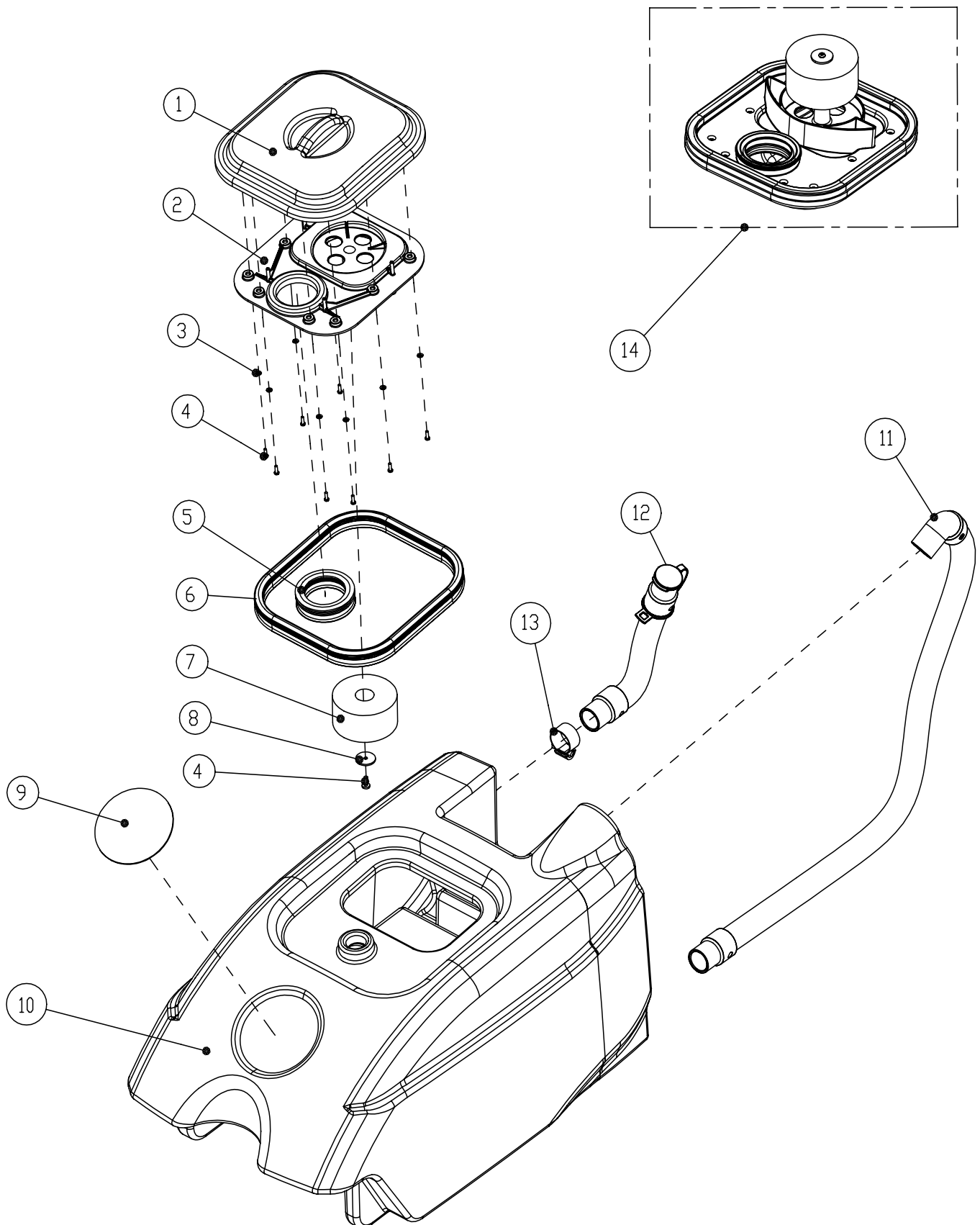


Automatic Scrubber  
**i15B**



TABLE OF CONTENTS

PARTS LIST.....3-22  
WEARABLE PARTS.....23  
WIRING DIAGRAM.....24-25

**RECOVERY TANK GROUP (100101- )**

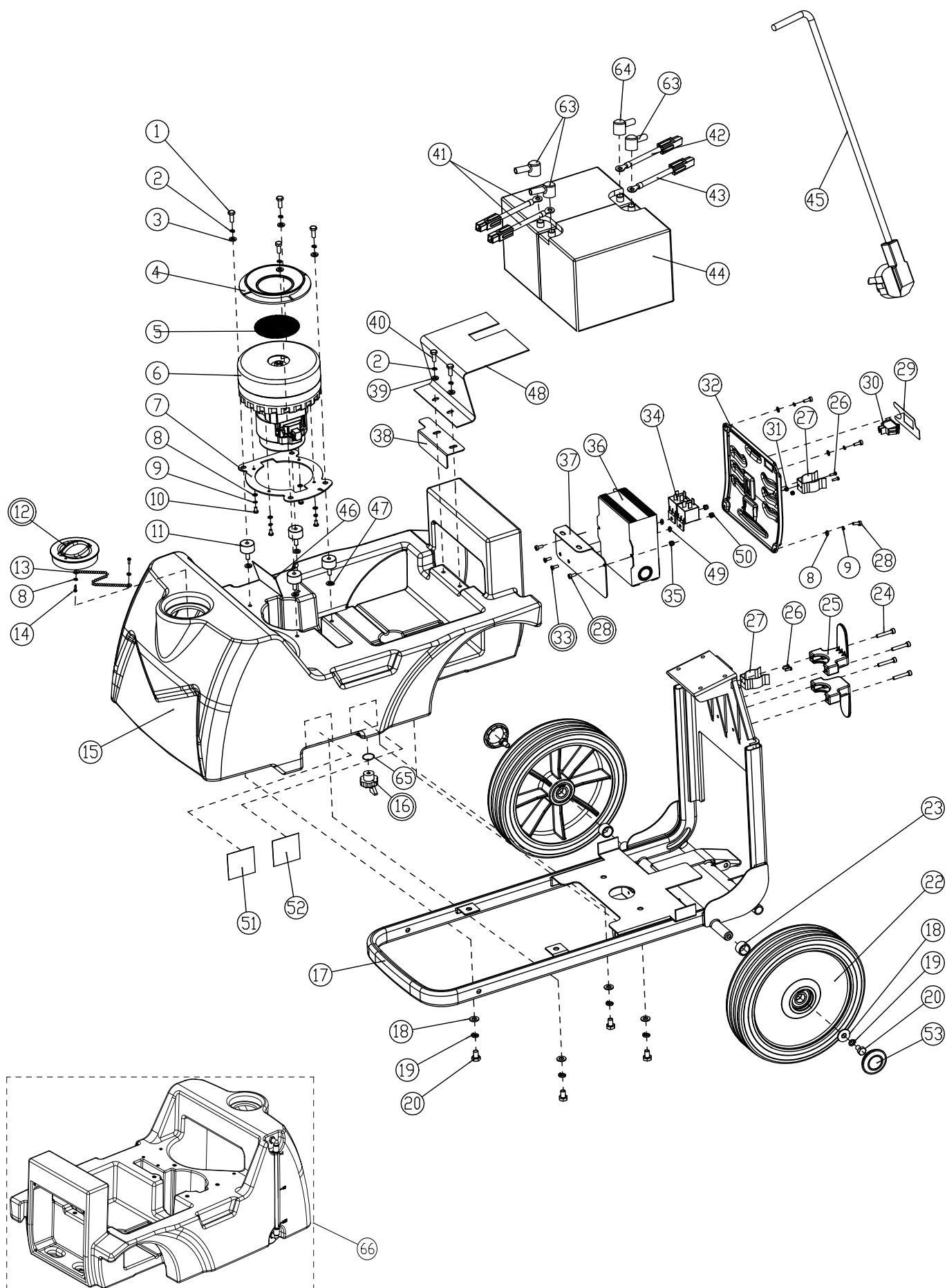
**RECOVERY TANK GROUP (100101- )**

DIA NO.	PART NUMBER	VER	SERIAL NUMBER	DESCRIPTION	NO. REQ'D
1	8401204	01	(100101- )	RECOVERY LID	1
2	8401205	01	(100101- )	LOWER LID OF RECOVERY TANK	1
3	1421409	01	(100101- )	FLAT WASHER M4× $\phi$ 9×0.8	8
4	1321110	01	(100101- )	SCREW,ST3.5×10	9
5	<del>8401207</del>	<del>01</del>	(100101-100435)	RECOVERY TANK COVER SEAL	<del>1</del>
	8401217	01	(100436- )	RECOVERY TANK COVER SEAL	1
6	8401206	01	(100101- )	RECOVERY TANK COVER SEAL	1
7	8401208	01	(100101- )	FLOAT	1
8	1421425	01	(100101- )	FLAT WASHER, $\phi$ 4.3× $\phi$ 25×1.5	1
9	4010316	04	(100101- )	ICE LOGO	1
10	<del>8401201</del>	<del>01</del>	(100101-100834)	RECOVERY TANK	<del>1</del>
	8401201	02	(100835- )	RECOVERY TANK	1
11	8401211	02	(100101- )	DRAIN HOSE	1
12	8401210	02	(100101- )	VACUUM HOSE	1
13	<del>1962032</del>	<del>01</del>	(100101-100435)	CLAMP	<del>1</del>
	1962033	01	(100436- )	CLAMP	1
14	8401215	01	(100101- )	RECOVERY TANK COVER GROUP	1

## NOTES:

1. DIA NO. 5, 8401207 is optimized material, Follow-up maintenance unified use 8401217;
2. DIA NO. 10, 8401201 is optimized structure. Follow-up maintenance unified use VER 02.
3. DIA NO. 13, 1962033 is optimized structure. Follow-up maintenance unified use 1962033.

## SOLUTION TANK GROUP (100101-100953)



**SOLUTION TANK GROUP(100101-100953)**

DIA NO.	PART NUMBER	VER	SERIAL NUMBER	DESCRIPTION	NO. REQ'D
1	1221612	01	(100101- )	SCREW,M6×12	4
2	1422616	01	(100101- )	LOCK WASHER, M6	6
3	1421616	01	(100101- )	FLAT WASHER M6×φ16×1	4
4	8401212	01	(100101- )	VACUUM SEAL	1
5	8401213	01	(100101- )	FILTER	1
6	8401216	01	(100101-100882)	VACUUM MOTOR KIT,DELPHI CONNECTOR	1
	8401203B	01	(100883-100953)	VACUUM MOTOR KIT,AMASS CONNECTOR	1
7	8401209	02	(100101- )	MOUNTING PLATE	1
8	1421409	01	(100101- )	FLAT WASHER M4×φ9×0.8	8
9	1422411	01	(100101- )	LOCK WASHER, M4	10
10	1321213	01	(100101-100953)	SCREW,ST4×13	4
11	8310208	01	(100101-100203)	ISOLATER, M6	4
	8401145	01	(100204- )	ISOLATER, M6	4
12	8401202	01	(100101- )	FRONT FILL COVER	1
13	8050153	00	(100101- )	CHAIN,FRONT COVER	1
14	1321110	01	(100101- )	SCREW,ST3.5×10	2
15	8401101	01	(100101-100920)	SOLUTION TANK	1
	8401101	03	(100921- )	SOLUTION TANK	1
16	8401121	02	(100101- )	SOLUTION DRAIN CAP	1
17	8401102	04	(100101- )	MAIN FRAME	1
18	1421824	01	(100101- )	FLAT WASHER M8×φ24×2	6
19	1422821	01	(100101- )	LOCK WASHER, M8	6
20	1021820	01	(100101- )	SCREW,M8×20	6
21	--	--	--	-	-
22	8401108	02	(100101- )	WHEEL,10 INCH	2
23	8401127	02	(100101- )	BUSHING	2
24	1511525	01	(100101- )	SCREW,M5×25,HEX SOCKET	4
25	4010405	00	(100101- )	CORD WRAP	2
26	1221310GL	01	(100101- )	SCREW,M3×10,HEX HEAD	6
27	8401131	03	(100101- )	HOSE CLAMP	3
28	1221410	01	(100101- )	SCREW,M4×10	6
29	8401133	01	(100101- )	DECAL,SWITCH	1
30	6210503	01	(100101- )	ROCKER SWITCH	1
31	1123305	01	(100101- )	NUT,LOCK M3	2
32	8401104	01	(100101-100953)	REAR COVER	1
33	1222512	01	(100101- )	SCREW,M5×12	2
34	8114707	01	(100101- )	RELAY 20A	2
35	1123406	01	(100101- )	NUT,LOCK M4	4
36	8401107	03	(100101-100711)	BATTERY CHARGER,24V,SPE	1
	8401109	02	(100712- )	BATTERY CHARGER,24V,QQE	1

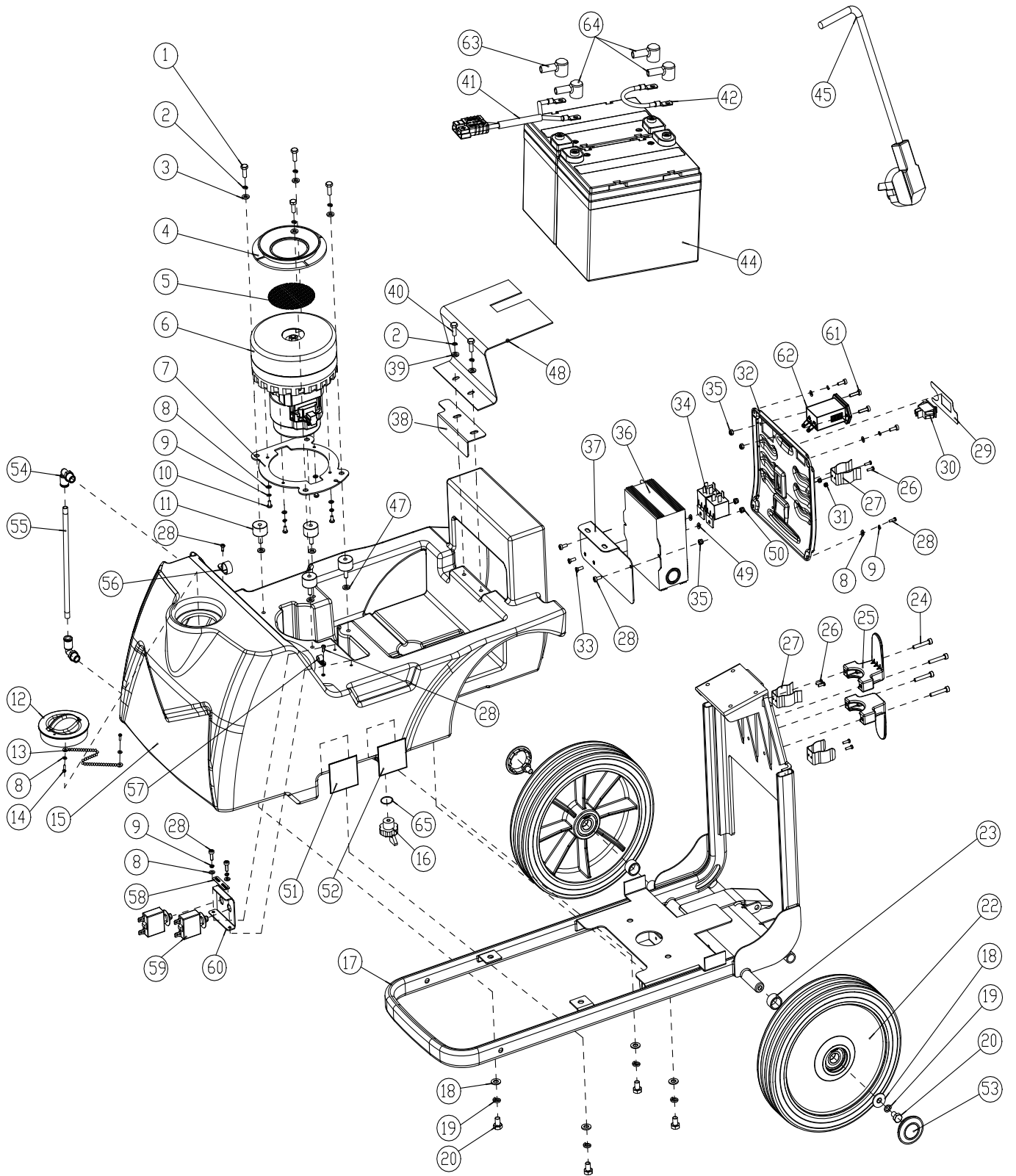
**SOLUTION TANK GROUP(100101-100953)**

DIA NO.	PART NUMBER	VER	SERIAL NUMBER	DESCRIPTION	NO. REQ'D
37	8401103	03	(100101- )	MOUNTING PLATE	1
38	8401132	01	(100101- )	MOUNTING PLATE	1
39	1421612	01	(100101- )	LOCK WASHER, M6	2
40	1021616	01	(100101- )	SCREW M6×16	2
41	8401711	01	(100101-100953)	BATTERY CONNECT CABLE,RED	2
42	8401712	01	(100101-100953)	BATTERY CONNECT CABLE,BLACK	1
43	8401713	01	(100101-100953)	BATTERY CONNECT CABLE,RED	1
44	8401710	01	(100101-100953)	BATTERY (LEOCH AGMU1 (12V 35AH)),OPTION	2
45	8112030	03	(100101- )	CHARGER CORD (FOR US)	1
	8112040	03	(100101- )	CHARGER CORD (FOR EU)	1
	8112050	03	(100101- )	CHARGER CORD (FOR JP)	1
	8112060	03	(100101- )	CHARGER CORD (FOR CK)	1
	8112070	02	(100101- )	CHARGER CORD (FOR UK)	1
	8112080	00	(100101- )	CHARGER CORD (FOR SA)	1
46	8401906	01	(100514-100953)	INDICATED LABEL	1
47	1421618	01	(100204- )	FLAT WASHER M6× $\phi$ 18×1.6	4
48	8401147	01	(100514- )	SHIELDED PIECE	1
49	1421510	01	(100101- )	FLAT WASHER M5× $\phi$ 10×1.0	2
50	1123507	01	(100101- )	NUT M5	2
51	8401139	01	(100101- )	INDICATES STICKER	1
52	8401141	01	(100101- )	INDICATES STICKER	1
53	8401108-1	01	(100101- )	WHEEL COVER(FOR WHEEL 8401108)	2
54-62	--	--	--	--	--
63	8401715	01	(100101-100953)	INSULATION CAP,RED	3
64	8401716	01	(100101-100953)	INSULATION CAP,BLACK	1
65	8490491	01	(100101- )	O-RING	1
66	8401170	01	(100101-100920)	SOLUTION TANK REPLACE COMPONENTS	1

## NOTES:

- 1.DIA NO.11,8401145 is optimized material.Follow-up maintenance unified use 8401145.
- 2.DIA NO.15,Before SN.100920, the SOLUTION TANK Follow-up maintenance unified code 8401170;after SN.100921 (including), the SOLUTION TANK Follow-up maintenance unified code 8401101 latest version.
- 3.DIA NO.47,1421618 FLAT WASHER,which is matching with 8401145(DIA NO.11).
- 4.DIA NO.36,8401107 and 8401109,they are different in the power interface position size. So,the aftermarket component before SN.100711(including) is"8401109 1pc+8401103 1pc", and the aftermarket component after SN.100712(including) is still "8401109 1pc".

**SOLUTION TANK GROUP (100954- )**





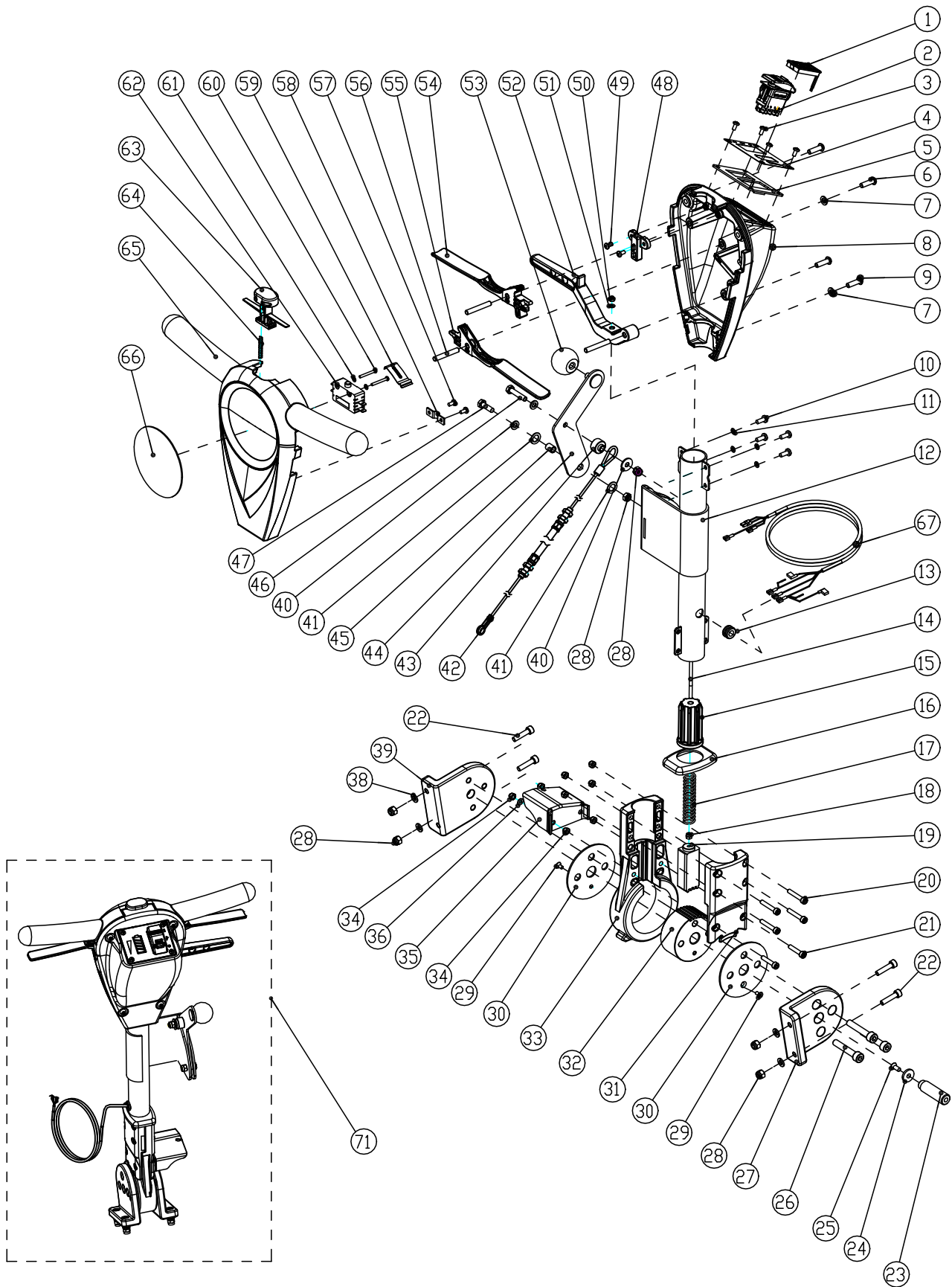
**SOLUTION TANK GROUP (100954- )**

DIA NO.	PART NUMBER	VER	SERIAL NUMBER	DESCRIPTION	NO. REQ'D
1	1221612	01	(100101- )	SCREW,M6×12	4
2	1422616	01	(100101- )	LOCK WASHER, M6	6
3	1421616	01	(100101- )	FLAT WASHER M6× $\phi$ 16×1	4
4	8401212	01	(100101- )	VACUUM SEAL	1
5	8401213	01	(100101- )	FILTER	1
6	8401223A	01	(100954- )	VACUUM MOTOR KIT,KST CONNECTOR	1
7	8401209	02	(100101- )	MOUNTING PLATE	1
8	1421409	01	(100101- )	FLAT WASHER M4× $\phi$ 9×0.8	8
9	1422411	01	(100101- )	LOCK WASHER, M4	10
10	1311216	01	(100101- )	SCREW,ST4.2×16	4
11	8401145	01	(100204- )	ISOLATER, M6	4
12	8401202	01	(100101- )	FRONT FILL COVER	1
13	8050153	00	(100101- )	CHAIN,FRONT COVER	1
14	1321110	01	(100101- )	SCREW,ST3.5×10	2
15	8401101	03	(100921- )	SOLUTION TANK	1
16	8401121	02	(100101- )	SOLUTION DRAIN CAP	1
17	8401102	04	(100101- )	MAIN FRAME	1
18	1421824	01	(100101- )	FLAT WASHER M8× $\phi$ 24×2	6
19	1422821	01	(100101- )	LOCK WASHER, M8	6
20	1021820	01	(100101- )	SCREW,M8×20	6
21	--	--		-	-
22	8401108	02	(100101- )	WHEEL,10 INCH	2
23	8401127	02	(100101- )	BUSHING	2
24	1511525	01	(100101- )	SCREW,M5×25,HEX SOCKET	4
25	4010405	00	(100101- )	CORD WRAP	2
26	1221310GL	01	(100101- )	SCREW,M3×10,HEX HEAD	6
27	8401131	03	(100101- )	HOSE CLAMP	3
28	1221410	01	(100101- )	SCREW,M4×10	6
29	8401133	01	(100101- )	DECAL,SWITCH	1
30	6210503	01	(100101- )	ROCKER SWITCH	1
31	1123305	01	(100101- )	NUT,LOCK M3	2
32	8401159	00	(100954- )	REAR COVER	1
33	1222512	01	(100101- )	SCREW,M5×12	2
34	8114707	01	(100101- )	RELAY 20A	2
35	1123406	01	(100101- )	NUT,LOCK M4	4
36	8401109	02	(100712- )	BATTERY CHARGER,24V,QQE	1
37	8401103	03	(100101- )	MOUNTING PLATE	1
38	8401132	01	(100101- )	MOUNTING PLATE	1
39	1421612	01	(100101- )	LOCK WASHER, M6	2
40	1021616	01	(100101- )	SCREW M6×16	2

**SOLUTION TANK GROUP (100954- )**

DIA NO.	PART NUMBER	VER	SERIAL NUMBER	DESCRIPTION	NO. REQ'D
41	8401723	01	(100954- )	BATTERY POWER CABLE	1
42	8401724	01	(100954- )	BATTERY CABLE	1
43	---	---	---	---	---
44	8401740	01	(100954- )	BATTERY (Vision, SCP12350 U1,12V 35Ah(20hr),OPTION)	2
45	8112030	03	(100101- )	CHARGER CORD (FOR US)	1
	8112040	03	(100101- )	CHARGER CORD (FOR EU)	1
	8112050	03	(100101- )	CHARGER CORD (FOR JP)	1
	8112060	03	(100101- )	CHARGER CORD (FOR CK)	1
	8112070	02	(100101- )	CHARGER CORD (FOR UK)	1
	8112080	00	(100101- )	CHARGER CORD (FOR SA)	1
46	---	---	---	---	1
47	1421618	01	(100204- )	FLAT WASHER M6×φ18×1.6	4
48	8401147	01	(100514- )	SHIELDED PIECE	1
49	1421510	01	(100101- )	FLAT WASHER M5×φ10×1.0	2
50	1123507	01	(100101- )	NUT M5	2
51	8401139	01	(100101- )	INDICATES STICKER	1
52	8401141	01	(100101- )	INDICATES STICKER	1
53	8401108-1	01	(100101- )	WHEEL COVER(FOR WHEEL 8401108)	2
54	4160150	00	(100954- )	ELBOW,NPT1/4"	2
55	1869206	01	(100954- )	PU TUBE	0.21m
56	1885116	02	(100954- )	3/4" WIRE CLAMP	1
57	1885105	01	(100954- )	1/4" WIRE CLAMP	1
58	8401157	01	(100954- )	BREAKER STICKER	1
59	8114703	01	(100954- )	CIRCUIT BREAKER, 35A	2
60	8401156	01	(100954- )	BREKER FIXED PLATE	1
61	1221416	01	(100954- )	SCREW,RHM,M4X16,SST	2
62	8114710	01	(100954- )	TIMER	1
63	8401715	01	(100954- )	INSULATION CAP,RED	1
64	8401716	01	(100954- )	INSULATION CAP,BLACK	3
65	8490491	01	(100101- )	O-RING	1

**HANDLE ASSEMBLY (100101-100953)**



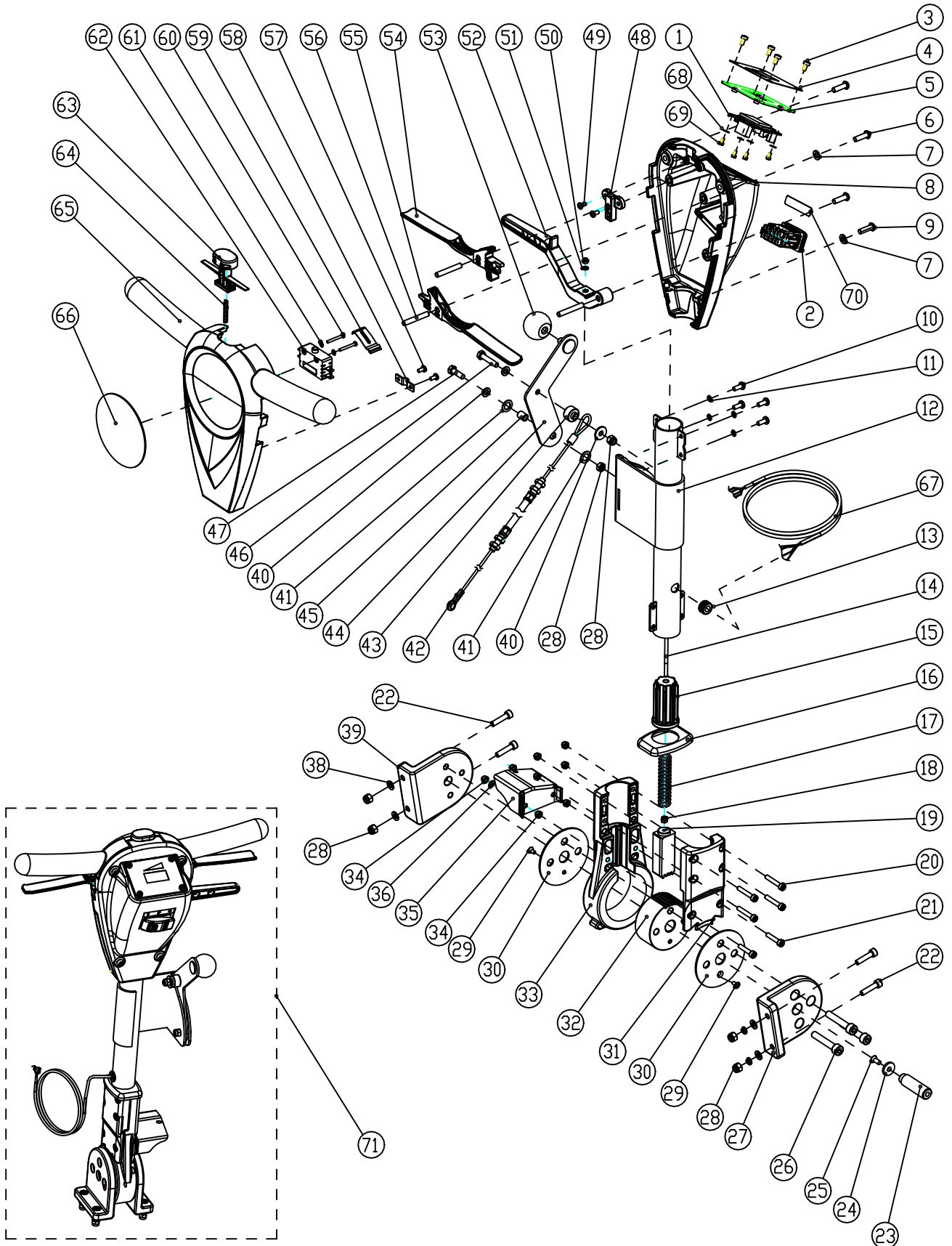
**HANDLE ASSEMBLY (100101-100953)**

DIA NO.	PART NUMBER	VER	SERIAL NUMBER	DESCRIPTION	NO. REQ'D
1	8014063	01	(100101-100953)	BATTERY CAPACITY METER	1
2	1885301	01	(100101- )	POWER CONTROL SWITCH	1
3	1211408	01	(100101- )	SCREW, M4×08	4
4	8401704	01	(100101-100953)	DECAL,CONTROL PANEL	1
5	8401703	01	(100101-100953)	CONTROL PANEL	1
6	1512625	01	(100101- )	SCREW, M6×25	2
7	1421616	01	(100101- )	FLAT WASHER M6× $\phi$ 16×1.0	4
8	8401401	01	(100101-100953)	THE HANDLE BACK COVER	1
9	1512635	01	(100101- )	SCREW, M6×35	2
10	1211512	01	(100101- )	SCREW, M5×12	4
11	1434500	01	(100101- )	TOOTH WASHER, $\phi$ 5	4
12	8401402	01	(100101- )	HANDLE TUBE	1
13	8401405	01	(100101- )	CONTROL LINE PROTECTION RING	1
14	8401403	01	(100101- )	PULL ROD	1
15	4010207	00	(100101- )	SEAT,SPRING	1
16	4010216	00	(100101- )	SEAL,SEAT	1
17	4010208	00	(100101- )	SPRING,LEVELING	1
18	1111403	01	(100101- )	NUT M4	1
19	4010211	01	(100101- )	INSERT	1
20	1511530	01	(100101- )	SCREW, M5×30	4
21	1511540	01	(100101- )	SCREW, M5×40	2
22	1521620	01	(100101- )	SCREW, M6×20	4
23	4010110	00	(100101- )	SHAFT	1
24	4010114	00	(100101- )	WASHER	1
25	1222512	01	(100101- )	SCREW, M5×12	1
26	1521845	01	(100101- )	SCREW, M8×45	3
27	5012416	00	(100101- )	HANDLE,STAND,LEFT	1
28	1123608	01	(100101- )	NUT M6	4
29	1212410	01	(100101- )	SCREW, M4×10	2
30	4010212	00	(100101- )	COVER	2
31	4010202	00	(100101- )	COVER,SEAT GEAR	1
32	8401404	01	(100101- )	GEAR	1
33	4010201	01	(100101- )	MOUNTING BASE,GEAR	1
34	1123507	01	(100101- )	NUT M5	8
35	8401415	01	(100101- )	MOUNTING BRACKET	1
36	1421510	01	(100101- )	FLAT WASHER M5× $\phi$ 10×1.0	2
37	—	—	—	—	—
38	1421612	01	(100101- )	FLAT WASHER M6× $\phi$ 12×1.0	4
39	5012415	00	(100101- )	HANDLE,STAND,RIGHT	1
40	1421618	01	(100101- )	FLAT WASHER M6× $\phi$ 18×1.6	3
41	8113111	00	(100101- )	NYLON FLAT WASHER $\phi$ 12.9× $\phi$ 25.4×0.8	2
42	8401411	02	(100101- )	SQUEEGEE LIFT CABLE	1

**HANDLE ASSEMBLY (100101-100953)**

<b>DIA NO.</b>	<b>PART NUMBER</b>	<b>VER</b>	<b>SERIAL NUMBER</b>	<b>DESCRIPTION</b>	<b>NO. REQ'D</b>
43	8014101	00	(100101- )	LIFTING CABLE SPACER	1
44	8401407	01	(100101- )	HANDLE,SQUEEGEE LIFT	1
45	8401413	01	(100101- )	AXLE SLEEVE	1
46	1021630	01	(100101- )	HEX HEAD BOLT M6×30,SS	1
47	1021620	01	(100101- )	HEX HEAD BOLT M6×20,SS	1
48	4010317	00	(100101- )	SEAT,BALL	1
49	1211408	01	(100101- )	SCREW, M4×8	2
50	1123406	01	(100101- )	NUT M4	1
51	1421412	01	(100101- )	FLAT WASHER M4× $\phi$ 12×1.0	1
52	4010304	00	(100101- )	LEVELONG ROD	1
53	8113104	01	(100101- )	BALL KNOB M8	1
54	4010330	02	(100101- )	TRIGGER,SWITCH,RIGHT	1
55	4010331	02	(100101- )	TRIGGER,SWITCH,LEFT	1
56	4010314	00	(100101- )	PIN	4
57	1221406	01	(100101- )	SCREW M4×6	2
58	4010311	00	(100101- )	CLAMP,CORD	1
59	4010323	00	(100101- )	SPRING,SWITCH	1
60	1211325	01	(100101- )	SCREW M3×25	2
61	1434300	01	(100101- )	TOOTH WASHER M3	2
62	8401709	01	(100101- )	SWITCH	1
63	4010307	01	(100101- )	SAFETY,BUTTON	1
64	4010333	00	(100101- )	SPRING,SAFTY	1
65	8401408	01	(100101- )	FRONT COVER	1
66	4010316	04	(100101- )	ICE,LOGO	1
67	8401702	03	(100101-100953)	SWITCH LINE	1
68-70	—	—	—	—	—
71	8401400	02	(100101-100953)	HANDLE ASSEMBLY	1

**HANDLE ASSEMBLY (100954- )**



**HANDLE ASSEMBLY (100954- )**

DIA NO.	PART NUMBER	VER	SERIAL NUMBER	DESCRIPTION	NO. REQ'D
1	8401160	02	(100954- )	CONTROL PCBA	1
2	1885301	01	(100101- )	POWER CONTROL SWITCH	1
3	1211408	01	(100101- )	SCREW, M4×08	4
4	8401154	01	(100954- )	DECAL,CONTROL PANEL	1
5	8401153	01	(100954- )	CONTROL PANEL	1
6	1512625	01	(100101- )	SCREW, M6×25	2
7	1421616	01	(100101- )	FLAT WASHER M6× $\phi$ 16×1.0	4
8	8401152	00	(100954- )	THE HANDLE BACK COVER	1
9	1512635	01	(100101- )	SCREW, M6×35	2
10	1211512	01	(100101- )	SCREW, M5×12	4
11	1434500	01	(100101- )	TOOTH WASHER, $\phi$ 5	4
12	8401402	01	(100101- )	HANDLE TUBE	1
13	8401405	01	(100101- )	CONTROL LINE PROTECTION RING	1
14	8401403	01	(100101- )	PULL ROD	1
15	4010207	00	(100101- )	SEAT,SPRING	1
16	4010216	00	(100101- )	SEAL,SEAT	1
17	4010208	00	(100101- )	SPRING,LEVELING	1
18	1111403	01	(100101- )	NUT M4	1
19	4010211	01	(100101- )	INSERT	1
20	1511530	01	(100101- )	SCREW, M5×30	4
21	1511540	01	(100101- )	SCREW, M5×40	2
22	1521620	01	(100101- )	SCREW, M6×20	4
23	4010110	00	(100101- )	SHAFT	1
24	4010114	00	(100101- )	WASHER	1
25	1222512	01	(100101- )	SCREW, M5×12	1
26	1521845	01	(100101- )	SCREW, M8×45	3
27	5012416	00	(100101- )	HANDLE,STAND,LEFT	1
28	1123608	01	(100101- )	NUT M6	4
29	1212410	01	(100101- )	SCREW, M4×10	2
30	4010212	00	(100101- )	COVER	2
31	4010202	00	(100101- )	COVER,SEAT GEAR	1
32	8401404	01	(100101- )	GEAR	1
33	4010201	01	(100101- )	MOUNTING BASE,GEAR	1
34	1123507	01	(100101- )	NUT M5	8
35	8401415	01	(100101- )	MOUNTING BRACKET	1
36	1421510	01	(100101- )	FLAT WASHER M5× $\phi$ 10×1.0	2
37	—	—	—	—	—
38	1421612	01	(100101- )	FLAT WASHER M6× $\phi$ 12×1.0	4
39	5012415	00	(100101- )	HANDLE,STAND,RIGHT	1
40	1421618	01	(100101- )	FLAT WASHER M6× $\phi$ 18×1.6	3
41	8113111	00	(100101- )	NYLON FLAT WASHER $\phi$ 12.9× $\phi$ 25.4×0.8	2
42	8401411	02	(100101- )	SQUEEGEE LIFT CABLE	1

**HANDLE ASSEMBLY (100954- )**

DIA NO.	PART NUMBER	VER	SERIAL NUMBER	DESCRIPTION	NO. REQ'D
43	8014101	00	(100101- )	LIFTING CABLE SPACER	1
44	8401407	01	(100101- )	HANDLE,SQUEEGEE LIFT	1
45	8401413	01	(100101- )	AXLE SLEEVE	1
46	1021630	01	(100101- )	HEX HEAD BOLT M6×30,SS	1
47	1021620	01	(100101- )	HEX HEAD BOLT M6×20,SS	1
48	4010317	00	(100101- )	SEAT,BALL	1
49	1211408	01	(100101- )	SCREW, M4×8	2
50	1123406	01	(100101- )	NUT M4	1
51	1421412	01	(100101- )	FLAT WASHER M4× $\phi$ 12×1.0	1
52	4010304	00	(100101- )	LEVELONG ROD	1
53	8113104	01	(100101- )	BALL KNOB M8	1
54	4010330	02	(100101- )	TRIGGER,SWITCH,RIGHT	1
55	4010331	02	(100101- )	TRIGGER,SWITCH,LEFT	1
56	4010314	00	(100101- )	PIN	4
57	1221406	01	(100101- )	SCREW M4×6	2
58	4010311	00	(100101- )	CLAMP,CORD	1
59	4010323	00	(100101- )	SPRING,SWITCH	1
60	1211325	01	(100101- )	SCREW M3×25	2
61	1434300	01	(100101- )	TOOTH WASHER M3	2
62	8401709	01	(100101- )	SWITCH	1
63	4010307	01	(100101- )	SAFETY,BUTTON	1
64	4010333	00	(100101- )	SPRING,SAFTY	1
65	8401408	01	(100101- )	FRONT COVER	1
66	4010316	04	(100101- )	ICE,LOGO	1
67	8401722	01	(100954- )	HANDLE CABLE	1
68	1883102	00	(100954- )	WASHER, M3, PB	4
69	1221306	01	(100954- )	SCREW M3×6	4
70	8401155	01	(100954- )	DECAL,POWER SWITCH	1
71	8401400-CK	04	(100954- )	HANDLE ASSEMBLY	1





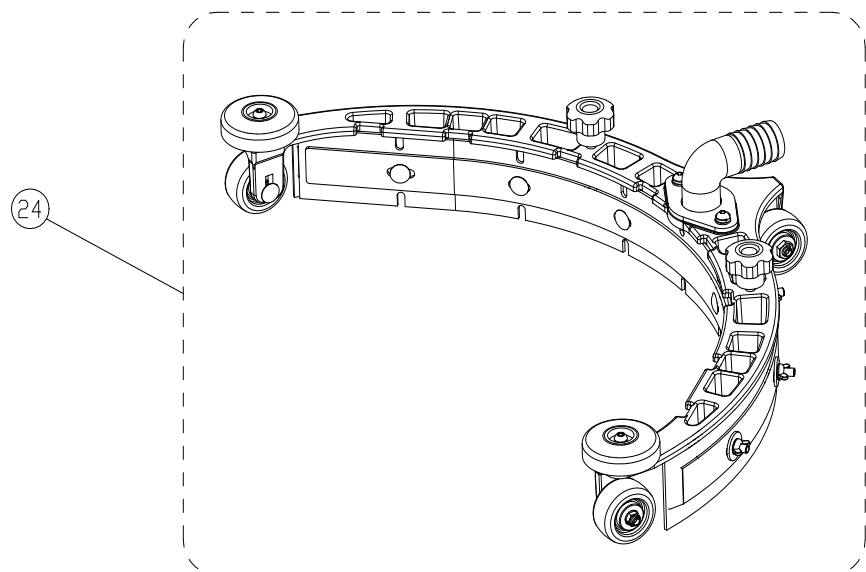
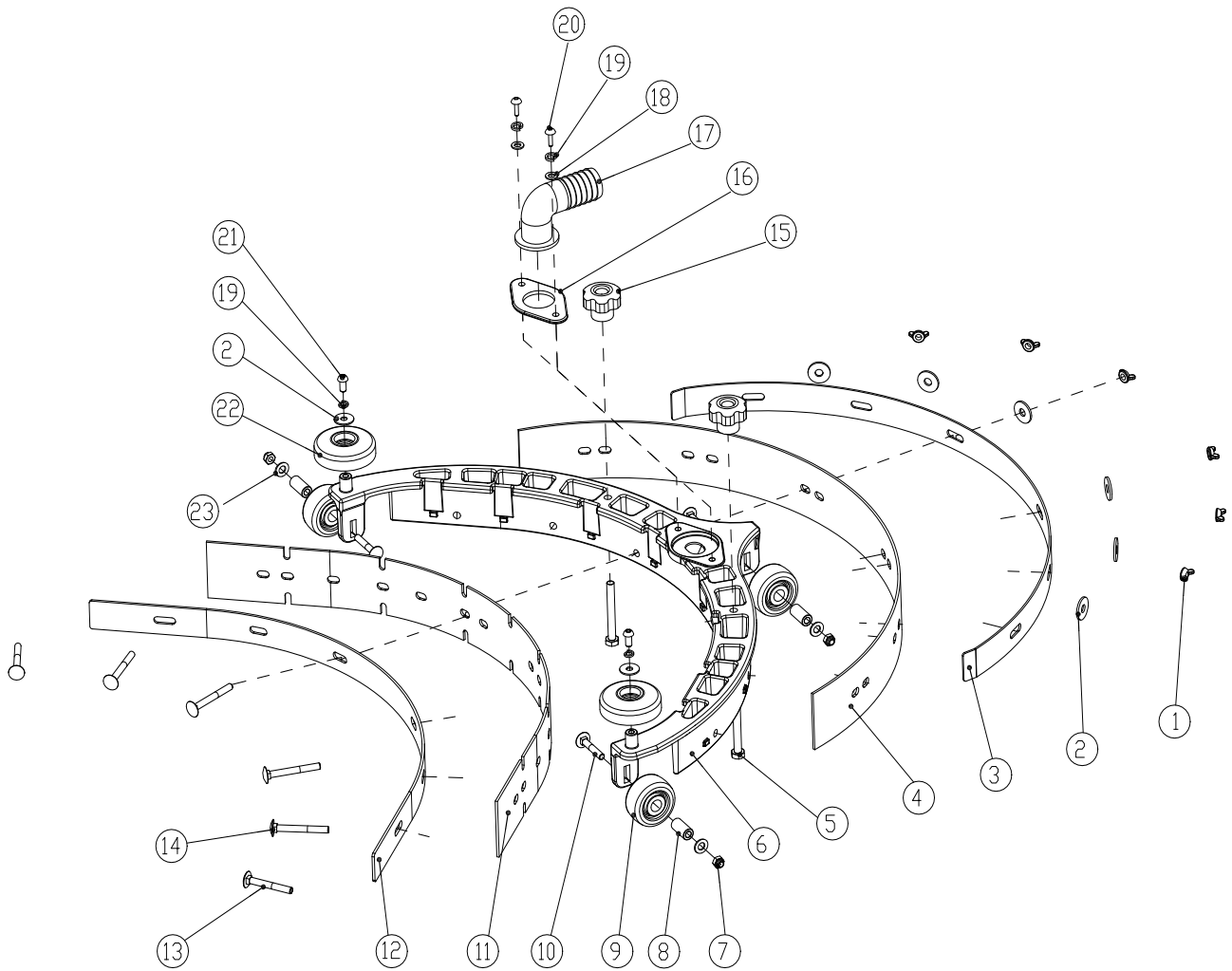
**SCRUB HEAD GROUP (100101- )**

DIA NO.	PART NUMBER	VER	SERIAL NUMBER	DESCRIPTION	NO. REQ'D
1	8401310	01	(100101-100882)	BRUSH MOTOR KIT,DELPHI CONNECTOR	1
	8401312B	01	(100883-100953)	BRUSH MOTOR KIT,AMASS CONNECTOR	1
	8401312A	01	(100954- )	BRUSH MOTOR KIT,KST CONNECTOR	1
2	8401303	03	(100101- )	MOUNTING PLATE	1
3	1123810	01	(100101- )	LOCK NUT M8	2
4	1422821	01	(100101- )	WASHER LOCK $\phi$ 8	1
5	1421816	01	(100101- )	FLAT WASHER M8 $\times$ $\phi$ 16 $\times$ 1.0	2
6	1421824	01	(100101- )	FLAT WASHER M8 $\times$ $\phi$ 24 $\times$ 2.0	3
7	1021835	01	(100101- )	SCREW M8 $\times$ 35	2
8	1021620	01	(100101- )	SCREW M6 $\times$ 20	2
9	1422616	01	(100101- )	WASHER LOCK $\phi$ 6	10
10	1421616	01	(100101- )	FLAT WASHER M6 $\times$ $\phi$ 16 $\times$ 1.0	2
11	8401512	02	(100101- )	CONNECTING ROD	2
12	1123608	01	(100101- )	LOCK NUT M6	3
13	8401511	01	(100101- )	SQUEEGEE MOUNT BRACKET	1
14	8401515	01	(100101- )	SPRING	2
15	1421622	01	(100101- )	FLAT WASHER M6 $\times$ $\phi$ 22 $\times$ 2.0	2
16	1421409	01	(100101- )	FLAT WASHER M4 $\times$ $\phi$ 9 $\times$ 1.0	3
17	1221410	01	(100101- )	SCREW M4 $\times$ 10	3
18	8401516	01	(100101- )	SCREW	1
19	8401301	02	(100101- )	BRUSH PLATE COVER	1
20	8401513	02	(100101-100834)	BRACKET(PLASTIC)	4
	8401523	02	(100835- )	BRACKET(SHEET METAL)	1
21	8401514	02	(100101-100834)	MOUNT(PA66+30%GF,BLACK)	4
	8401524	01	(100835-100953)	MOUNT(ALUMINIUM ALLOY)	1
	8401534	01	(100954- )	MOUNT(STAINLESS SHEET)	1
22	1421612	01	(100101- )	FLAT WASHER M6 $\times$ $\phi$ 12 $\times$ 1.0	8
23	1021616	01	(100101- )	SCREW M6 $\times$ 16	8
24	8401305	02	(100101- )	BRUSH PLATE HOLDER	1
25	—	—	—	—	—
26	1021825	01	(100101- )	SCREW M8 $\times$ 25	1
27	9050015	03	(100101- )	15"BRUSH	1
28	8401520	01	(100101- )	HANG CIRCLE	1
29	1422411	01	(100101- )	WASHER LOCK $\phi$ 4	3
30	9040015	01	(100101- )	15"PAD DRIVER (OPTION)	1
31	8211508	00	(101845- )	AXLE SLEEVE	2

## NOTES:

1.DIA NO.20,8401513 and 8401523,the installation and use mode are fully compatible,Follow-up maintenance unified use 8401523;

2.DIA NO.21,8401514,8401524 and 8401534,the installation and use mode are fully compatible,Follow-up maintenance unified use 8401524 or 8401534.

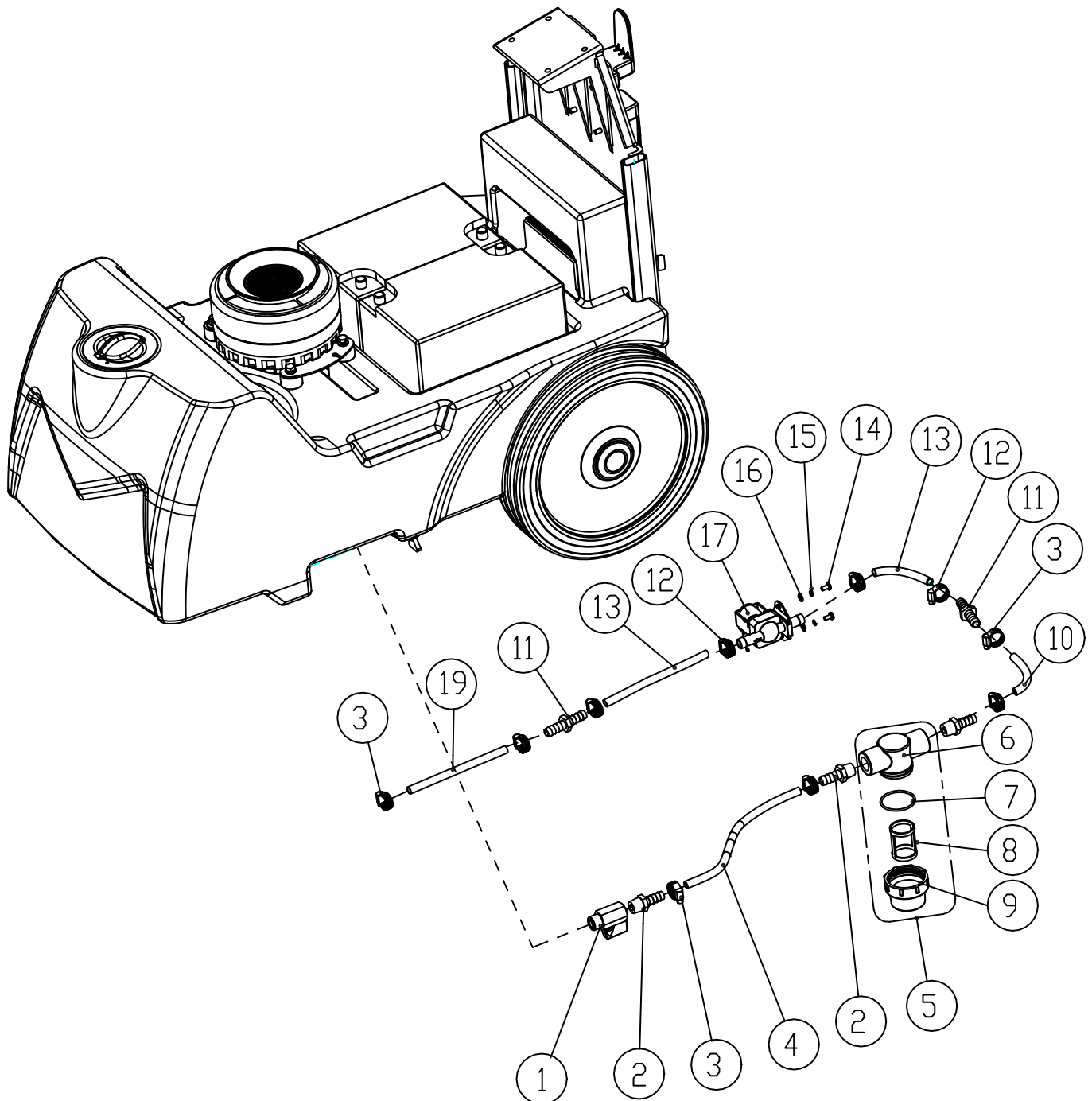
**SQUEEGEE GROUP (100101- )**

**SQUEEGEE GROUP (100101- )**

DIA NO.	PART NUMBER	VER	SERIAL NUMBER	DESCRIPTION	NO. REQ'D
1	1127510	01	(100101- )	NUT M5	6
2	1421515	01	(100101- )	FLAT WASHER M5× $\phi$ 16×1.0	8
3	8401504	03	(100101- )	CLAMP ASSEMBLY,REAR	1
4	8401503	01	(100101- )	SQUEEGEE BLADE,REAR,LINATEX	1
	8401543	01	(100101- )	SQUEEGEE BLADE,REAR,PU(OPTION)	1
5	1021650	01	(100101- )	HEX HEAD BOLT M6×50	2
6	<del>8401501</del>	<del>01</del>	(100101-100834)	SQUEEGEE HOUSING	<del>1</del>
	8401501	03	(100835- )	SQUEEGEE HOUSING	1
7	1123507	01	(100101- )	NUT M5	3
8	8401517	02	(100101- )	AXLE SLEEVE	3
9	8401518	02	(100101- )	SQUEEGEE WHEEL,1.5INCH	3
10	1033535	01	(100101- )	SCREW M5×35	3
11	8401502	01	(100101- )	SQUEEGEE BLADE,FRONT,LINATEX	1
	8401542	01	(100101- )	SQUEEGEE BLADE,FRONT,PU(OPTION)	1
12	8401505	03	(100101- )	CLAMP ASSEMBLY,FRONT	1
13	1033540	01	(100101- )	SCREW M5×40	2
14	1033545	01	(100101- )	SCREW M5×45	4
15	7000177	01	(100101- )	KNOB	2
16	8401506	02	(100101- )	PLATE,COUPLING	1
17	8401507	02	(100101- )	ANGLE COUPLING	1
18	1421510	01	(100101- )	FLAT WASHER M5× $\phi$ 10×1.0	2
19	1422513	01	(100101- )	WASHER LOCK $\phi$ 5	4
20	1321316	01	(100101-100834)	SELF-TAPPING SCREW ST4.8×16	2
	1221516	01	(100835- )	SCREW M5×16	2
21	1321310	01	(100101- )	SELF-TAPPING SCREW ST4.8×10	2
22	8411607	01	(100101- )	BUMPER WHEEL	2
23	1421511	01	(100101- )	FLAT WASHER M5× $\phi$ 12×1.0	3
24	8401500	02	(100101- )	SQUEEGEE ASSEMBLY,LINATEX	1

## NOTES:

1.DIA NO.6,When replace the 8401501 03 version, DIA NO.20 must be replaced with 1221516 at the same time.

**SOLUTION FLOW GROUP (100101- )**

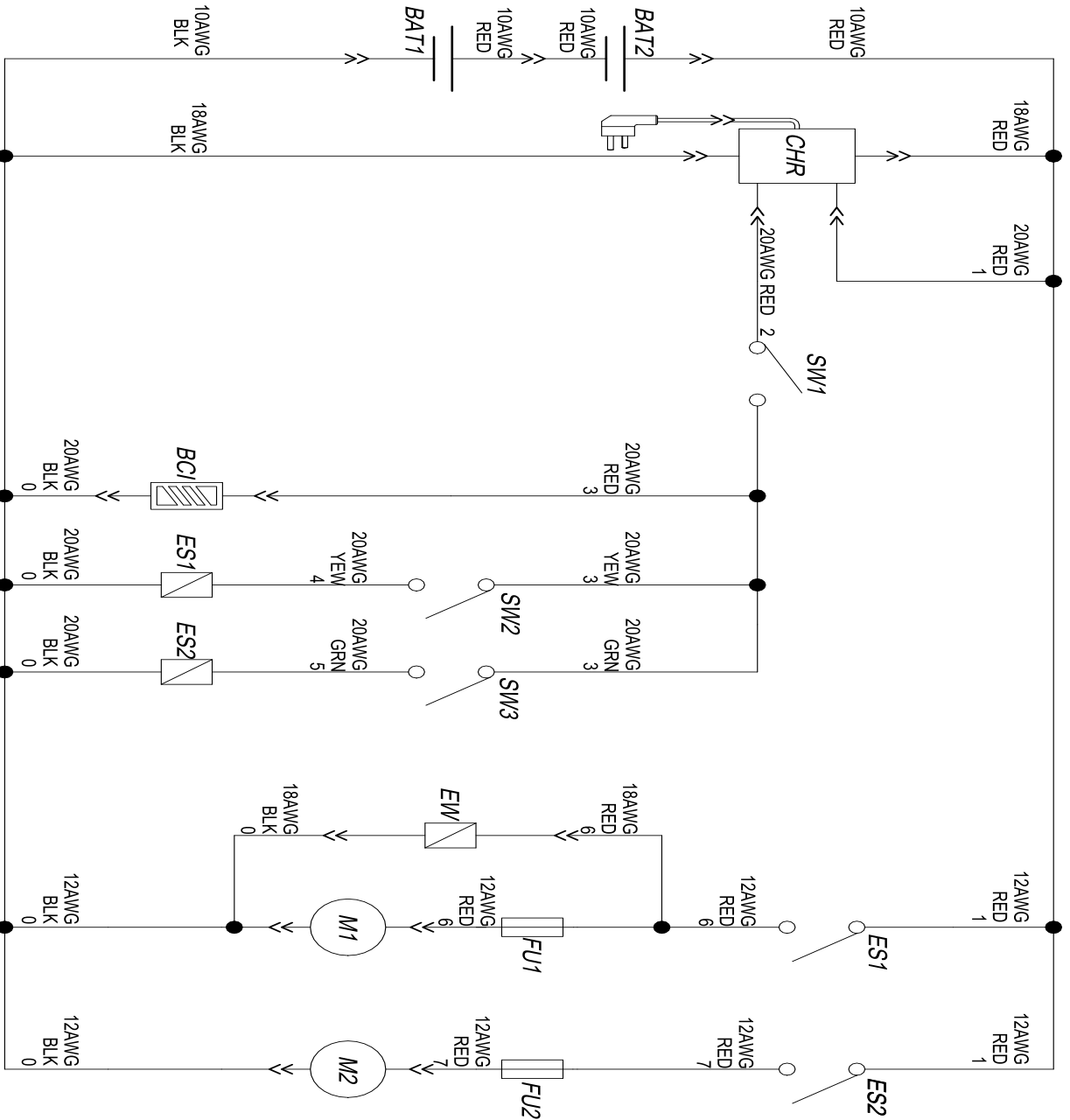
**SOLUTION FLOW GROUP (100101- )**

<b>DIA NO.</b>	<b>PART NUMBER</b>	<b>VER</b>	<b>SERIAL NUMBER</b>	<b>DESCRIPTION</b>	<b>NO. REQ'D</b>
1	8018006	01	(100101- )	BALL VALVE,3/8	1
2	8401116	04	(100101- )	ELBOW,3/8	3
3	8401142	02	(100101- )	CLAMP	6
4	8401138	01	(100101- )	TUBING,ID=8MM L=200mm	1
5	8401115	01	(100101- )	FILTER ASSEMBLY	1
6	8401111	01	(100101- )	BASE,FILTER ASSEMBLY	1
7	8401114	01	(100101- )	O RING	1
8	8401112	01	(100101- )	SCREEN,FILTER	1
9	8401113	01	(100101- )	CAP,FILTER ASSEMBLY	1
10	8401135	01	(100101- )	TUBING,ID=8MM L=120mm	1
11	8401129	03	(100101- )	ELBOW	2
12	1962016	01	(100101- )	CLAMP	4
13	8401136	01	(100101- )	TUBING,ID=15MM L=120mm	2
14	1221410	01	(100101- )	SCREW M4×10	2
15	1422411	01	(100101- )	WASHER LOCK $\phi 4$	2
16	1421409	01	(100101- )	FLAT WASHER M4× $\phi 9$ ×1.0	2
17	8018007	01	(100101- )	SOLENOID VALVE,24VDC	1
18	—	—	—	—	—
19	8401134	01	(100101- )	TUBING,ID=8MM L=300mm	1

**WEARABLE PARTS (100101- )**

<b>DIA NO.</b>	<b>PART NUMBER</b>	<b>DESCRIPTION</b>	<b>NO. REQ'D</b>
1	8401108	WHEEL, 10INCH, WITH BEARINGS	2
2	8411607	BUMPER WHEEL	2
3	8401518	SQUEEGEE WHEEL,1.5INCH	3
4	8401502	FRONT SQUEEGEE BLADE, LINATEX	1
5	8401503	REAR SQUEEGEE BLADE, LINATEX	1
6	9050015	BRUSH, 15 INCH	1
7	9040015	15"PAD DRIVER (OPTION)	1
8	8401720	WIRING HARNESS KIT FOR i15B(100101-100953)	1
	8401729	WIRING HARNESS KIT FOR i15B(100954- )	1

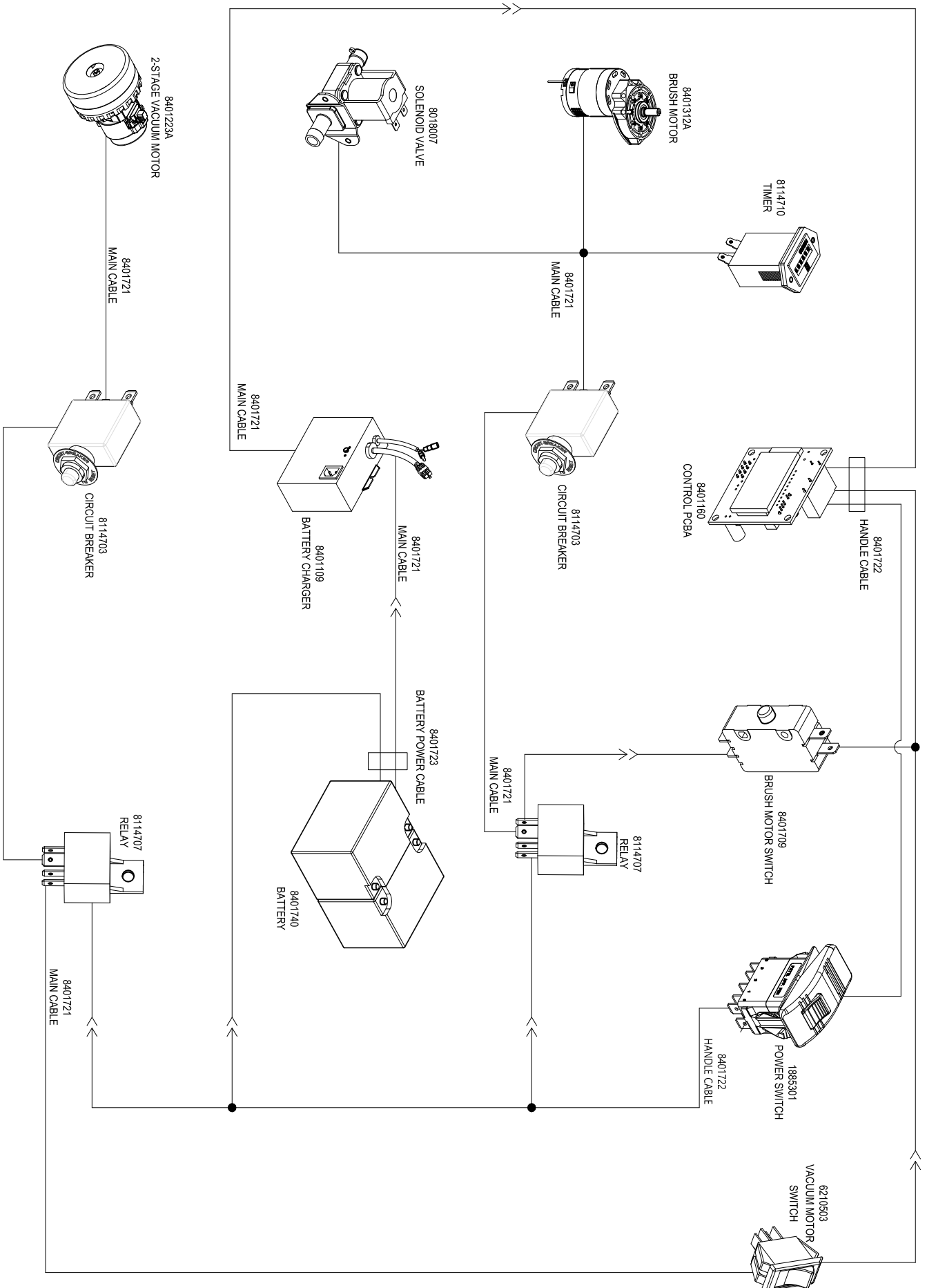
**WIRING DIAGRAM (100101-100953)**



- BAT1: 12V battery
  - BAT2: 12V battery
  - FU1: FUSE 25A {PN: 1885295}
  - FU2: FUSE 30A {PN: 1885297}
  - CHR: Charger
  - SW1: Main switch
  - SW2: The switch of Brush motor and solution selenoid valve
  - SW3: Vacuum motor switch
  - BCI: Battery capacity indicator
  - ES1: The relay of Bush motor and solution selenoid valve
  - ES2: Vacuum motor relay
  - EW: Solution selenoid valve
  - M1: Brush motor
  - M2: Vacuum motor
- RED : Red  
 BLK : Black  
 GRN : Green  
 YEW : Yellow



WIRING DIAGRAM (100954- )



## CERTIFICATE OF QUALIFIED

MODEL: \_\_\_\_\_

SERIAL NO.: \_\_\_\_\_

INSPECTOR: \_\_\_\_\_

DATE: \_\_\_\_\_

ICE Cobotics (GuangDong)Company Limited

TEL:(+86) 769 8186 9000 FAX:(+86) 769 8186 3000