



Operator & Parts Manual

Battery Automatic Floor Scrubber

Model: i20NBV



8130054
REV.05(06-2024)

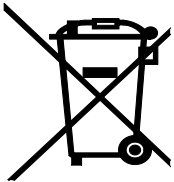


READ OPERATOR MANUAL CAREFULLY!

HOW TO ORDER PARTS

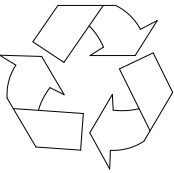
Please contact your local distributor. Having the following information available will be helpful:

- Machine model name
- Serial number from serial plate
- Part # and quantity (do not order by page number)



PROTECT THE ENVIRONMENT

Please dispose of packaging materials, old machine components such as batteries, hazardous fluids, including antifreeze and oil, in an environmentally safe way according to local waste disposal regulations.



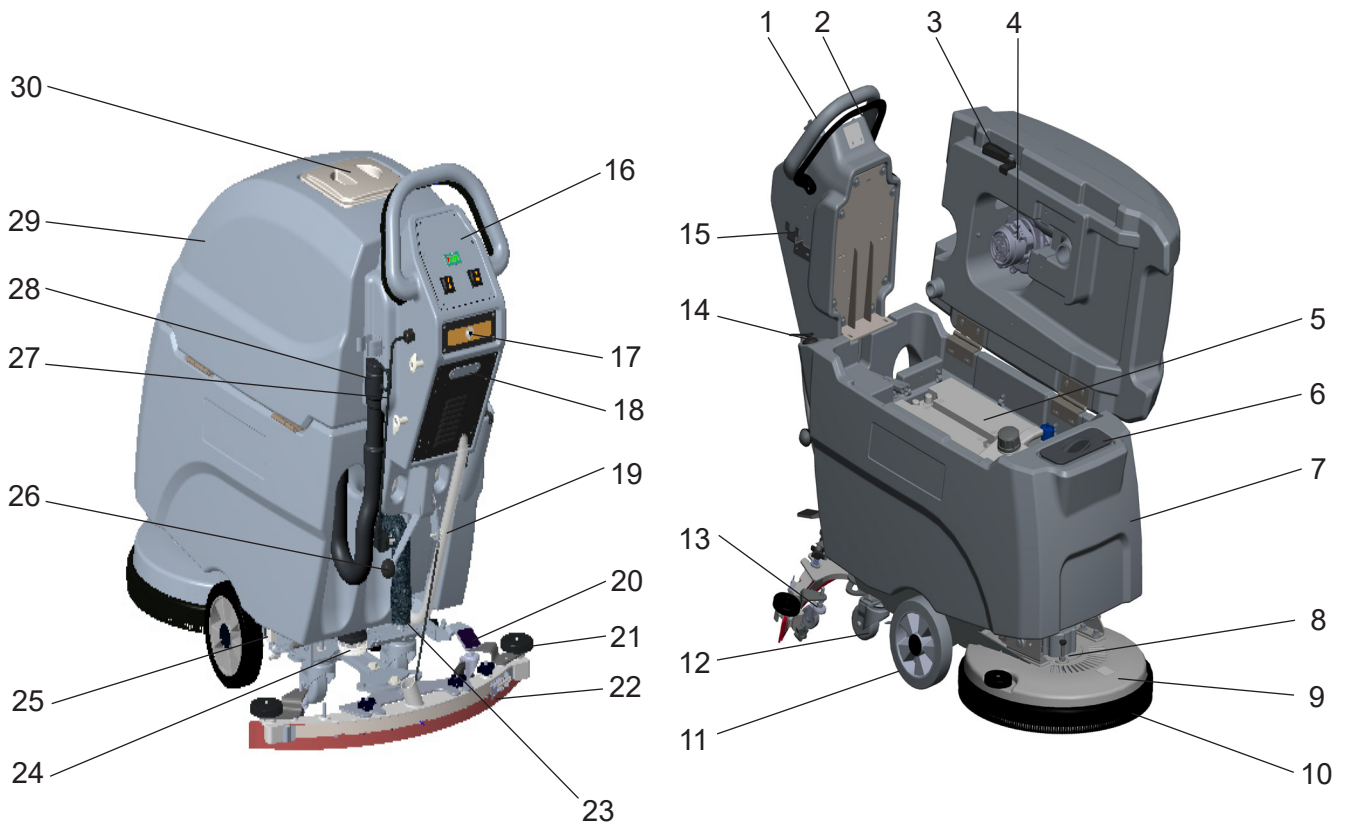
Always remember to recycle.

Specifications and parts are subject to change without notice.

TABLE OF CONTENTS

SAFETY PRECAUTIONS.....	4
MACHINE COMPONENTS.....	5
PANEL COMPONENTS.....	6
MACHINE SETUP & INSTALLATION.....	7
MACHINE OPERATION.....	8
WHILE OPERATING MACHINE.....	8
TANK DRAINING.....	9
BATTERY CHARGING.....	9
PREVENTATIVE MAINTENANCE.....	9-10
ADJUSTMENT OF SQUEEGEE ASSEMBLY	11
BASIC TROUBLESHOOTING.....	12
TECHNICAL SPECIFICATIONS.....	13
PARTS LIST.....	14-33
WEAR AND TEAR PARTS.....	34
WIRING DIAGRAM	35

MACHINE COMPONENTS



1. Control Handle
2. Control Handle Start Bail
3. Recovery Tank Support Stand
4. Vacuum Motor, 24VDC
5. Batteries
6. Bucket Fill Port/ Clean-Out Port
7. Solution Tank
8. Motor Hub Lock Pin (Disk Models)
9. Scrub Head Assembly
10. Scrub Head Skirt
11. Wheels, 8 Inch
12. Caster, 3.15 Inch
13. Caster, 2 Inch, Squeegee Blade Adjustment
14. Hose Fill-Port
15. Squeegee Storage Bracket
16. Control panel (see Panel components)
17. Overload protector
18. On-board battery charger / Window
19. Solution Tank Level / Drain Hose
20. Scrub Head Lift Pedal
21. Bumper Rollers
22. Squeegee Assembly
23. Squeegee Vacuum Hose
24. Filter Assembly
25. Ball Valve
26. Squeegee Lift Lever
27. Power cord, on-board Battery charger
28. Recovery Tank Drain Hose
29. Recovery Tank
30. Cover

SAFETY PRECAUTIONS

This machine is intended for commercial use. It is designed exclusively to scrub hard floors in an indoor environment and is not constructed for any other use. Only use recommended accessories.

All operators shall read, understand and exercise the following safety precautions:

1. Do not operate machine:

- Unless trained and authorized.
- Unless you have read and understand the operators manual.
- In flammable or explosive areas.
- If not in proper operating condition.
- In outdoors areas.

2. Before starting machine:

- Make sure all safety devices are in place and operate properly.

3. When using machine:

- Go slow on inclines and slippery surfaces.
- Follow all safety guidelines.
- Be very careful when using the machine in reverse.
- Reduce speed when turning.
- Report and fix any damage to machine prior to operating it.
- Never allow children to play on or around.
- Do not operate on inclines that exceed 5% (3°).


4. Before leaving or servicing machine:


- Stop on level surface.
- Turn off machine.

5. When servicing machine:

- Read operators manual thoroughly prior to operating or servicing this machine.
- Use manufacturer supplied or approved replacement parts.
- Secure machine with wheel blocks prior to jacking the machine up.
- Use approved jack or hoist to safely elevate the machine.
- Disconnect batteries prior to working on machine.
- Wear gloves when handling batteries or battery cables.

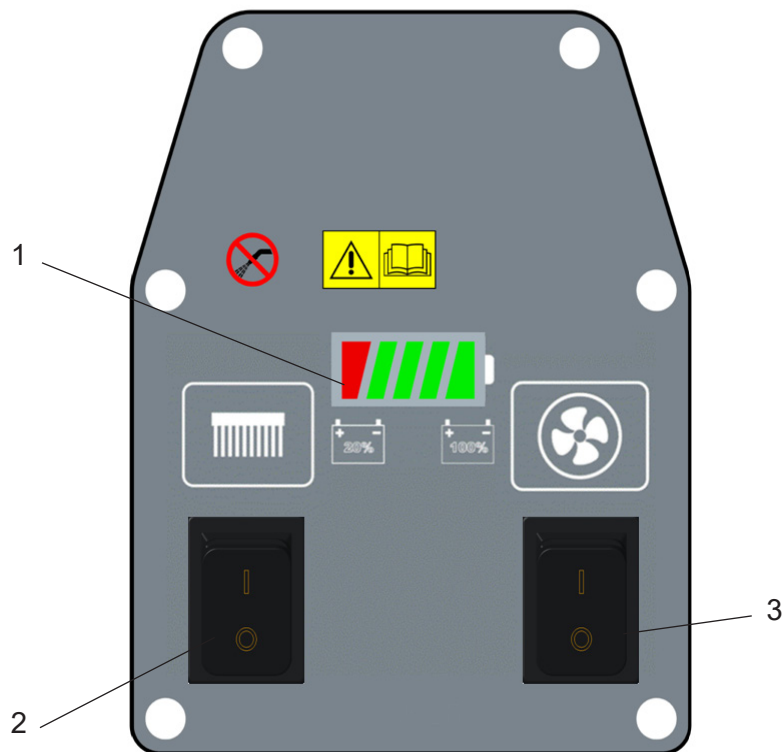
- Avoid any contact with battery acid.
- Avoid moving parts. Do not wear loose fitting clothing while servicing machine.

 **WARNING: Batteries emit hydrogen gas. Explosion or fire can result from hydrogen gas. Keep sparks and open flames away! Keep battery compartment open when charging.**

 **WARNING: Flammable materials can cause an explosion or fire. Do not use flammable materials in tanks.**

 **WARNING: Flammable materials or reactive metals can cause explosion or fire. Do not pick up.**

PANEL COMPONENTS



1. Battery capacity indicator
2. Bush motor switch
3. Vacuum motor switch

MACHINE SET UP & INSTALLATION

UNCRATING MACHINE

Be sure and check packing carton for any damage. Immediately report any damage to carrier. Check the contents of package to ensure that the following items are included:

- Machine
- Requires 2-12V Batteries
- Squeegee assembly
- Battery Charger
- Pad Driver

INSTALLING BATTERIES

The batteries are already in the machine upon delivery; However you will need to connect the cables to the battery posts.



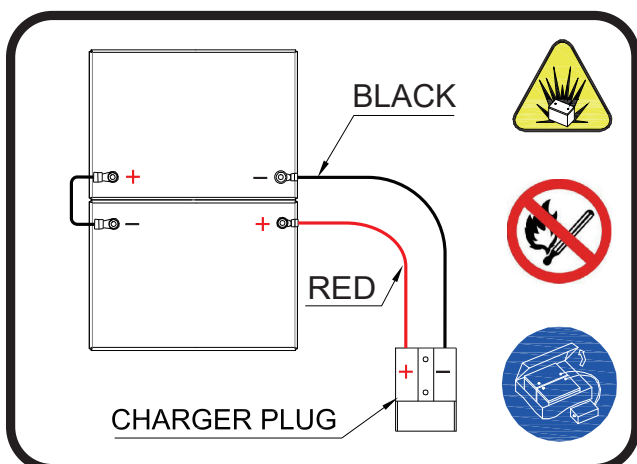
WARNING: Batteries emit hydrogen gas. Explosion or fire can result from hydrogen gas. Keep sparks and open flames away! Keep battery compartment open when charging.

1. Make sure vacuum motor and brush switch are in the OFF position
2. Open recovery tank to gain access to battery compartment.
3. Carefully place the two batteries into the compartment as shown in figure below. Place the battery brace at the rear of the two batteries.

DO NOT DROP BATTERIES INTO COMPARTMENT!

4. Connect battery cables to posts in numbered order as shown in drawing below.

RED to POSITIVE and BLACK to NEGATIVE.



MACHINE SET UP

PRE-OPERATION CHECKS

1. Sweep or dust mop the surface to be cleaned.
2. Check battery meter to make sure batteries are fully charged. (See BATTERY CHARGING).
3. Check that squeegee is properly installed.
4. Check that brush / pad is properly installed.

INSTALLING PAD DRIVER OR BRUSH

1. Ensure that the machine is turned off.
2. Step down on the scrub head lift pedal (see machine components, item #20) to raise the scrub head off the floor.
3. If using a Pad Driver, first attach the appropriate pad to the pad driver surface.
4. Turn the brush motor hub until the slot with the spring clip is visible through the scrub head window.
5. Mount the pad driver or brush to the brush motor hub by lining up the three studs with the three holes in the brush motor hub. Once in the holes, rotate the driver toward the spring clip to lock the pad driver into place.

If necessary, press down on the motor hub lock pin (see machine components, item # 8) to lock motor hub in place.

MOUNTING THE SQUEEGEE ASSEMBLY

1. Lift the squeegee lift lever (see machine components, item #26) to the upward position.
2. Mount the squeegee assembly to the squeegee pivot bracket. Make sure the knobs are completely seated into the slots before securing knobs.
3. Connect the vacuum hose to the squeegee assembly. Loop the hose by using the hose clip provided.
4. Check the squeegee blades for proper adjustment.


OPERATOR MANUAL

FILLING THE SOLUTION TANK


The machine is equipped with a hose fill-port (see machine components, item #14) at the rear of the machine, and a bucket fill-port at the front of the solution tank. (see machine components, item #6) Fill the solution tank to the "16Gal" level on the solution tank sight gauge. When using the bucket fill-port, stop filling when the level reaches the bottom edge of the fill-port.

Conventional scrubbing - Fill solution tank with water (not to exceed 60°C/140°F. Pour a recommended cleaning detergent into the solution tank according to mixing instructions on the container)

NOTE: When filling the solution tank with a bucket, make sure that the bucket is clean. Do not use the same bucket for filling and draining the machine.

 **WARNING:** Do not put any flammable materials into solution tank. This can cause an explosion or a fire. Only use recommended cleaning chemicals. Contact Dealer for recommendations on proper chemicals.

MACHINE OPERATION

 **WARNING:** Do not operate machine unless you have read and understand this manual.

1. Lower squeegee assembly to the floor by lowering the squeegee lift lever (see machine components, item #26).
2. Lower the scrub head to the floor by stepping on the scrub head lift pedal (see machine components, item #20).
3. Turn the power button switch (see machine components, item #20) to the on (I) position.
4. Check the battery meter (see Panel components, item #1), if the battery is very low, Please DO NOT continue to operate the machine and recharge the batteries immediately.
5. To change solution flow use the ball valve to increase or decrease flow rate. When ball valve is in horizontal position, the solution flow is OFF turn to vertical position for maximum flow rate.
NOTE: Solution will not begin to flow until the control handle bail is pulled.
6. Turn on the vacuum motor switch (see Panel components, item #3).
7. i20NBV: Pull the control handle bail (see machine components, item #2) backwards to start scrubbing by moving the machine forward.


NOTE: 45-60 meters (150-200 ft) per minute is the recommended scrubbing speed.

8. To stop scrubbing, release the control handle bail, raise the scrub head and the squeegee assembly.


WHILE OPERATING MACHINE

 **WARNING:** Fire or Explosion Hazard. Do Not Pick Up Flammable Materials or Reactive Metals.

1. Go slow on inclines and slippery surfaces. Do not operate the machine on inclines that exceed 5% (3°).
2. Do not keep the machine in the same position with pad / brush spinning, keep the machine moving to prevent damage to floor finish.
3. If the squeegee assembly leaves streaks on the floor, raise the squeegee off the floor and wipe the blades down with a damp cloth. Pre-sweep the area to prevent leaving streaks on the floor.
4. Pour a recommended defoamer into the recovery tank if excessive foam appears.

 **WARNING:** Do not allow foam to enter the float shut-off screen, vacuum motor damage will result. Foam will not activate the float shut-off screen.

5. Occasionally check the battery meter (see Panel components, item #1). When the battery is very low, stop scrubbing and recharge the batteries.

 **WARNING:** When battery is very low, do not continue to operate the machine. Battery damage may result.

6. When the solution tank runs empty, raise the brush head off the floor. Keep the squeegee down and continue to vacuum until all the dirty water is picked up.

NOTE: See **TANK DRAINING** section to learn how to drain recovery and solution tanks.

CIRCUIT BREAKER

The machine is equipped with a resettable circuit breaker (see machine components, item #21) to protect electronic components. If the circuit breaker should trip, it can't be reset immediately. You must first determine what caused the breaker to trip, and allow electronic components to cool down and then you can manually reset the circuit breakers.

NOTE: Contact Dealer for machine repairs.

TANK DRAINING

1. Turn the machine off on.
2. With the squeegee and scrub head in their "up" position, transport machine to approved area for draining tank(s).

DRAINING THE RECOVERY TANK

Any time scrubbing is completed, or when refilling solution tank, the recovery tank should be drained and cleaned.

! WARNING: If the recovery tank is not drained when the solution tank has been refilled, foam or water may enter the float shut-off screen and cause damage to the vacuum motor.

1. While holding the drain hose (see machine components, item #28) upward, remove the cap and lower hose to drain.
2. Open the recovery tank cover and rinse out the tank. Use a rag to remove any excess dirt.
3. Clean the float shut-off screen and debris tray located in the recovery tank .

DRAINING THE SOLUTION TANK

Any time scrubbing operation is completed, the solution tank should be drained and cleaned.

1. Pull the solution tank level hose (see machine components, item #19) off the hose fitting, this will allow the solution to flow freely into a bucket or floor drain.
2. Remove the cover of the filter assembly (see machine components, item #24) to drain the

solution tank, check the filter screen and clean up it if necessary.

3. Rinse the solution tank with clean water after every use. This will help prevent chemical buildup and clogging of the solution lines.
4. After rinsing out the tank, securely reconnect the tank level hose to the hose fitting, replace the filter assembly cover and be sure the filter screen and the "O" ring is in the correct position.

BATTERY CHARGING

! WARNING: Fire or Explosion Hazard. Batteries Emit Hydrogen Gas. Keep Sparks and Open Flame Away. Keep Battery Compartment Propped Open When Charging.

NOTE: Use only approved chargers with the following specifications:

- Automatic shut-off circuit
 - Deep cycle charging
 - Output current of 10-20 Amps
 - Output voltage of 24 volts
1. Place machine in a well ventilated area.
 2. Turn the machine off.
 3. If charging wet (lead acid) batteries check the fluid level before charging.
 4. Connect the charger's AC power supply cord (see machine components, item #33) to a properly grounded receptacle.
 5. Prop up the recovery tank by the support stand (see machine components, item #3) for ventilation when charging.
 6. The charger will automatically begin to charge and will automatically shut-off once the batteries are fully charged.
 7. Upon completion of charging, disconnect the AC power supply cord.

PREVENTATIVE MAINTENANCE

! WARNING: Before performing any maintenance on the machine, be sure that the power is turned off, or the batteries are disconnected!

! WARNING: Repairs are to be completed by Dealer only. Any repairs completed by unauthorized persons will void the warranty.

OPERATOR MANUAL

DAILY MAINTENANCE

1. Remove pad driver/ brush and clean with approved cleaner.
2. Drain recovery and solution tanks completely and rinse out with clean water. Visually check the recovery tank for debris and clean out as necessary.
3. Raise the squeegee assembly off floor and wipe it down with a damp towel. Be sure to store the squeegee in the up position.
4. Remove the float shut-off assembly and rinse it out with clean water.
5. Clean machine with an approved cleaner and a damp towel.
6. Recharge the batteries.
7. Check the condition of the squeegee blade wiping edge, rotate blade if worn.
2. Keep battery tops and terminals free from corrosion. A strong solution of baking soda and water is the best way to keep the batteries corrosion free. **DO NOT ALLOW THE BAKING SODA / WATER SOLUTION TO ENTER THE BATTERY CELLS.**
3. Use a wire brush with the baking soda solution to properly clean the battery posts and connections.
4. Check battery connections for wear and loose terminals. Replace if necessary.

MONTHLY MAINTENANCE

1. Clean the battery tops to prevent corrosion.
2. Check for loose battery cable connections.
3. Inspect and clean the recovery tank cover seal. Replace it if damaged.
4. Lubricate all grease points and pivot points with silicon spray and approved grease.
5. Check the machine for loose nuts and bolts.
6. Check the machine for leaks.
7. Battery must be stored in a charged state, please charge monthly.
1. Always store the machine indoors.
2. Always store the machine in a dry area.
3. Always store the machine in its upright position.
4. Always store the machine with the pad driver/ brush raised off the floor.
5. Always store the machine with the squeegee assembly raised off the floor.
6. If storing in an area which may reach freezing temperatures, be sure to drain all fluids from the machine prior to storage. Any damage caused by freezing temperatures will not be covered by the warranty.
7. Drain the recovery tank.
8. Drain the solution tank of all fluid.

MOTOR MAINTENANCE

1. Contact Dealer for any motor maintenance.
2. Motor should have the brushes checked every 250 hours. Brushes should be replaced when they are worn to a length of 10 mm or less.

BATTERY MAINTENANCE



WARNING: Batteries emit hydrogen gas and an explosion or fire can result. Keep sparks and fire away from batteries at all times.



WARNING: Whenever servicing batteries, be sure to wear protective gloves. Avoid contact with battery acid at all times.

NOTE: For the best machine performance, keep batteries charged at all times. Do not let them sit in a discharged condition.

1. Always follow the battery charging directions as outlined in the BATTERY CHARGING section of this manual.

ADJUSTMENT OF SQUEEGEE ASSEMBLY

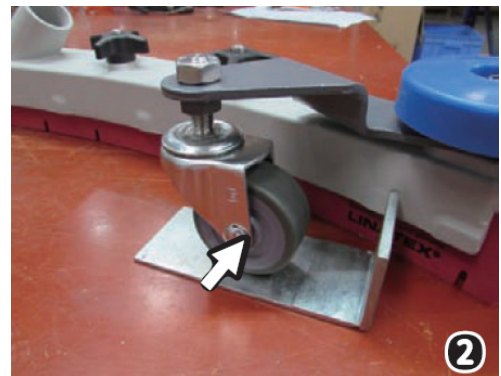
Model: i20NBV

Tools: Offset spanner (17mm)
Gauge block (2mm)

For optimum squeegee blade performance, the squeegee assembly casters might need to be adjusted to the floor type and squeegee blade wear.

**Adjustment Process:**

1. Turn off the machine after you lower the squeegee assembly down.
2. Clean up foreign matter or dirty surfaces on the squeegee blades.
3. Check that the squeegee Blades are installed correctly and not worn out or damaged.
(The assembly needs to be placed on a level surface. And the front/rear squeegee should be close to the Horizontal plane).
4. Check the caster and adjust it to approximately 2MM.



To adjust the caster height, loosen the top nut with 17mm Spanner wrench and Turn the adjustment nut until properly adjusted (Step 4). After adjusting, tighten the top nut. Repeat step for the other caster.

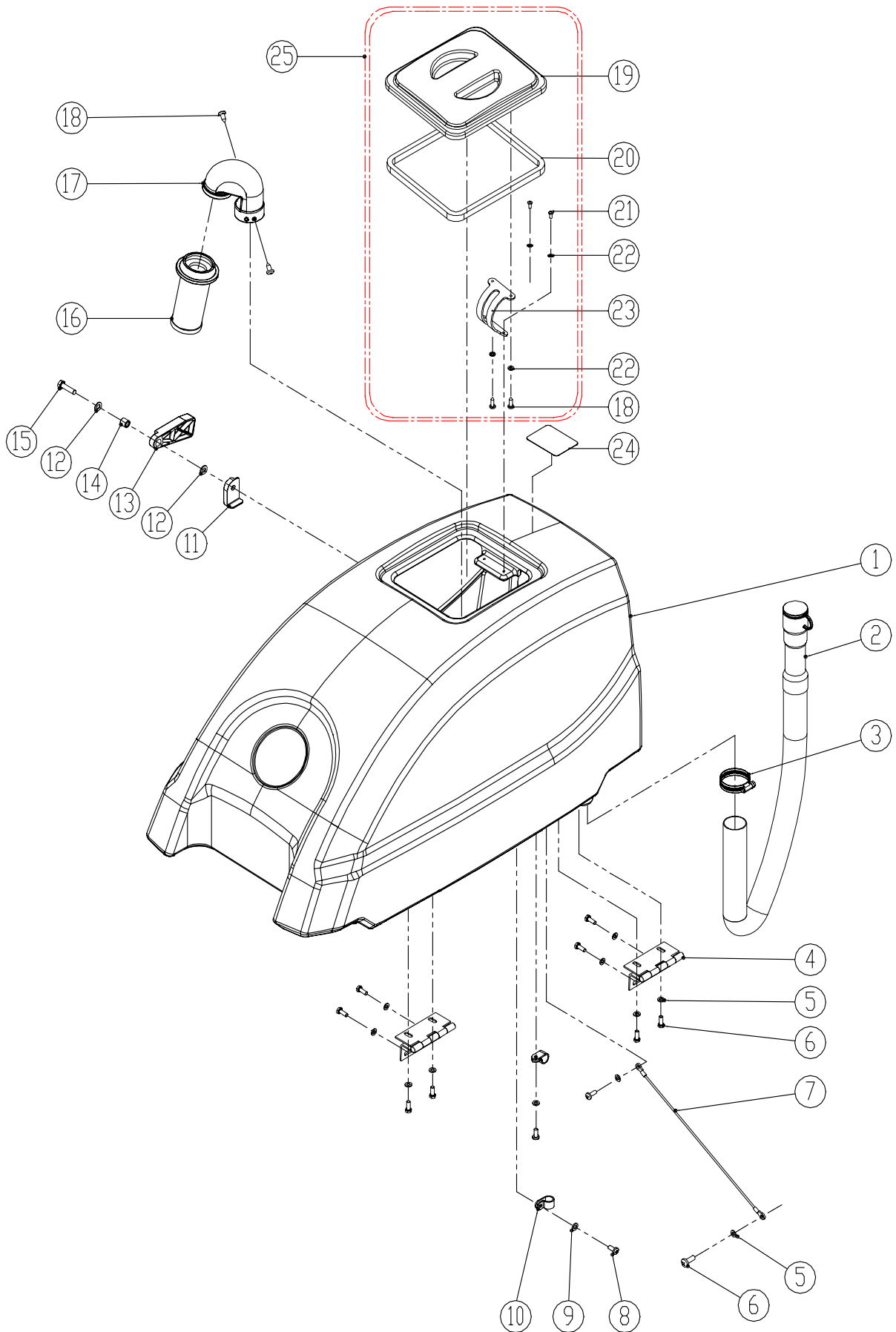
BASIC TROUBLESHOOTING

PROBLEM	CAUSE	SOLUTION
Machine will not operate	Control handle bail not pulled	Pull control handle bail
	Batteries need to be charged	Charge batteries
	Bad batteries	Replace batteries
	Loose batteries connection	Tighten the connector
	Circuit breaker tripped	Reset breaker
	Faulty button switch	Contact Dealer
Brush motor will not operate	Scrub head is raised off floor	Lower scrub head
	Faulty scrub head (up/down) switch	Contact Dealer
	Faulty control handle bail switch	Contact Dealer
	Faulty brush motor or wiring	Contact Dealer
	Worn motor carbon brushes	Contact Dealer
Vacuum motor will not operate	Faulty vacuum motor or wiring	Contact Dealer
	Worn motor carbon brushes	Contact Dealer
Little or no solution flow	Ball valve set too low or shut off	Turn on the ball valve
	Solution flow control knob set too low or shut-off	Adjust solution control flow knob
	Clogged solution tank filter or solution hose	Clean solution tank filter or flush out solution hose
	Clogged solution solenoid valve	Remove valve and clean
Poor water pick up	Recovery tank is full	Drain recovery tank
	Loose drain hose cap	Tighten cap
	Clogged float shut-off screen located in recovery tank	Clean screen
	Clogged squeegee assembly	Clean squeegee assembly
	Worn squeegee blades	Replace or rotate squeegee blades
	Incorrect squeegee blade deflection	Adjust squeegee blade height
	Loose vacuum hose connections	Secure hose connections
	Clogged vacuum hose	Remove clogged debris
	Damaged vacuum hose	Replace vacuum hose
	Recovery tank cover not in place	Properly position cover
	Damaged recovery tank cover seal	Replace seal
	Faulty vacuum motor	Contact Dealer
	Low battery charge	Recharge batteries
Short run time	Low battery charge	Fully recharge batteries
	Defective batteries	Replace batteries
	Faulty battery charger	Repair or replace battery charger

TECHNICAL SPECIFICATIONS

MODEL	i20NBV Brush Assist
DIMENSIONS L	55.7 in / 1,415 mm
DIMENSIONS W	22 in / 560 mm
DIMENSIONS H	44.9 in / 1,140 mm
WEIGHT	210 lbs / 95 Kg
WEIGHT WITH BATTERIES	410 lbs / 185 Kg
RECOVERY TANK CAPACITY	17.2 Gal / 65 L
SOLUTION TANK CAPACITY	15.9 Gal / 60 L
SQUEEGEE WIDTH	30 in / 762 mm
CLEANING PATH WIDTH	20 in / 500 mm (Disk)
PRODUCTIVITY RATE	19,375 ft ² / 1,800 m ² h
DRIVE SYSTEM	Brush Assisted
TRAVEL SPEED, MAXIMUM	N/A
MINIMUM AISLE TURN	63 in / 1,600 mm
PAD/BRUSH PRESSURE	65 lbs / 30 Kg Min
SOLUTION FLOW RATE	0 ~ 0.37 Gal / Min 0 ~ 1,400 ml / Min
BRUSH MOTOR	0.75hp / 0.55KW 180 RPM
VIBRATIONS @ CONTROLS	N/A
VACUUM MOTOR	0.54hp / 0.4KW
WATER LIFT - AIR FLOW	45 in / 1,143 mm
BATTERIES	2-12, 105AH @ 20 hr
RUN TIME PER CHARGE	3 Hours
VOLTAGE DC	24V
DECIBEL RATE AT OPERATOR'S EAR, INDOORS	68dB(A)
GRADE LEVEL, MAX	5% (3°)

RECOVERY TANK GROUP



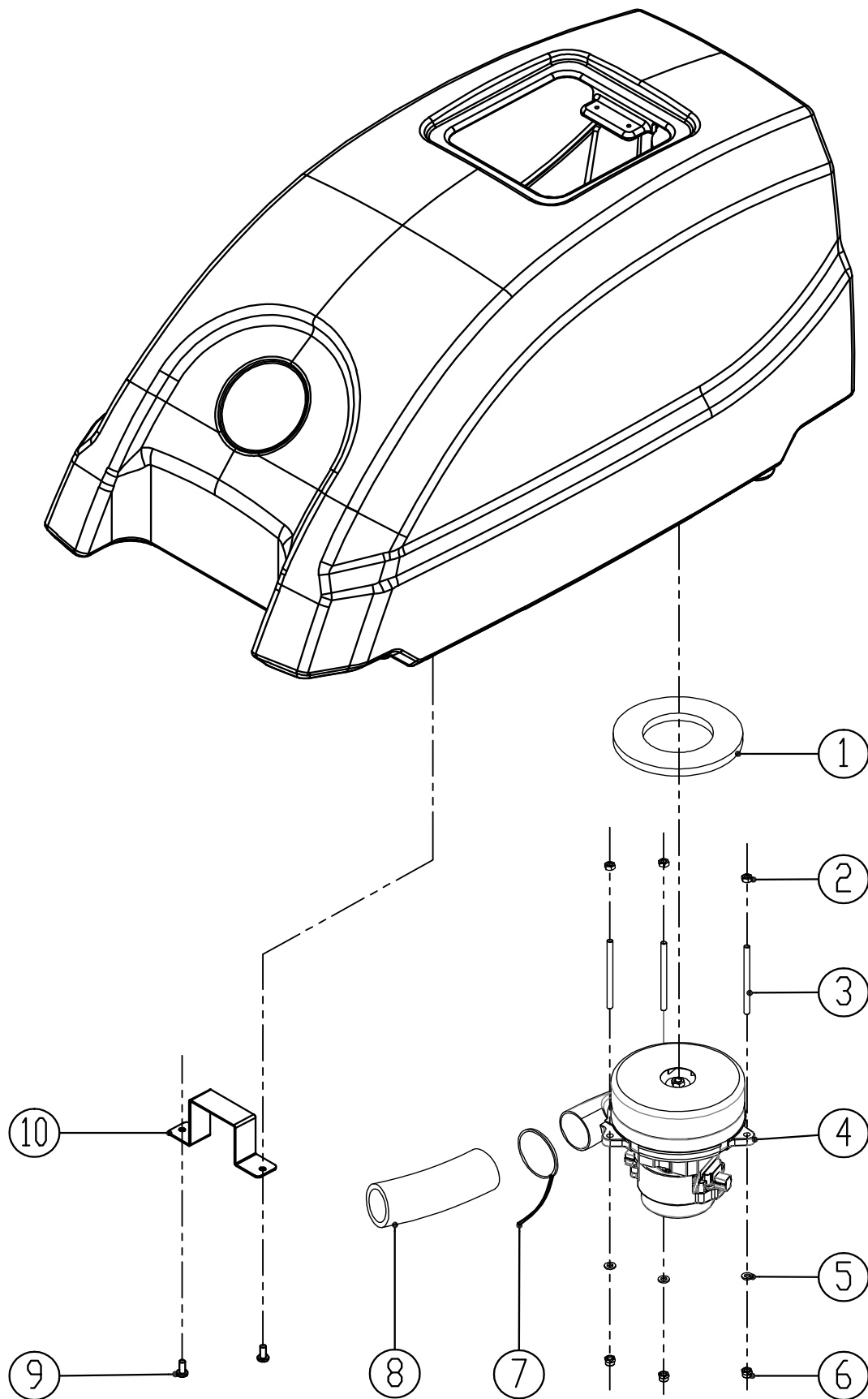
RECOVERY TANK GROUP

DIA NO.	PART NUMBER	DESCRIPTION	SERIAL NUMBER	NO. REQ'D
1	8136003	RECOVERY TANK COVER		1
2	8131030	DRAIN HOSE	60041100101~60041100274	1
	8131031	DRAIN HOSE	60041100275~	
3	1962050	CLAMP		1
4	8111300	HINGE ASSEMBLY		2
5	1421618	FLAT WASHER M6×DIA18×1.6		10
6	1021616	HEX BOLT M6×16		10
7	8131020	CABLE		1
8	1221512	SCREW M5×12		2
9	1421510	FLAT WASHER M5×DIA10×1		2
10	8113009	NYLON, CLAMP		2
11	8111008	BRACKET		1
12	1421816	FLAT WASHER M8×DIA16×1.6		2
13	8111007	RECOVERY TANK SUPPORT		1
14	8115404	SLEEVE, P/M		1
15	1021830	HEX BOLT M8×30		1
16	8111015	FLOAT, SHUT-OFF		1
17	2320220	BEND		1
18	1321210	SCREW, SELF-TAPPING,		4
19	2320216	COVER, CLEAR		1
20	2320218	GASKET, CLEAR WINDOW		1
21	1221410	SCREW M4×10		2
22	1421409	FLAT WASHER M4.3×DIA9×0.8		4
23	2320217	RUBBER HINGE		1
24	8111022	WARNING LABEL		1
25	2320216A	CLEAR COVER, KIT		1

NOTES:

DIA NO.2:Supplier change, material number change;

VACUUM FAN GROUP



VACUUM FAN GROUP

DIA NO.	PART NUMBER	DESCRIPTION	SERIAL NUMBER	NO. REQ'D
1	8112005	GASKET, VACUUM MOTOR		1
2	1121605	HEX NUT M6		3
3	8112006	STUD M6×92		3
4	8116500	VACUUM MOTOR , 24VDC, 2-STAGE, KIT	60041100101~	1
5	1421612	FLAT WASHER M6×DIA12×1.6		3
6	1123608	LOCK NUT M6		3
7	1914300	TIE, NYLON, 5×300		1
8	8132007	MUFFLER, VACUUM MOTOR		1
9	1221512	SCREW M5×12		2
10	8133012	BRACKET		1

SOLUTION TANK GROUP

DIA NO.	PART NUMBER	DESCRIPTION	SERIAL NUMBER	NO. REQ'D
1	8136002	SOLUTION TANK		1
2	8133008	CLEAN TUBING	60041100101~	1
3	1962032	CLAMP 16-27mm		1
4	8119005	BALL VALVE, G1/2		1
5	8119007	ELBOW G1/2		1
6	8113021	HANDLE, CONNECTOR		1
7	8113020	CONNECTOR		2
8	8114731	BATTERY CONNECT CABLE, ASSEMBLY		1
9	8113013	SPACER, BATTERY		2
10	-	CONTACT ICE USA FOR BATTERY PART NUMBER		2
11	8113012	BATTERY TRAY		1
12	8050475	BATTERY CONNECT CABLE, BLACK		2
13	8114751	JACKET, BATTERY TERMINAL, BLACK		4
14	1421510	FLAT WASHER M5×DIA10×1		11
15	8119200	FILTER ASSEMBLY		1
16	8050152	SEAL		1
17	1321310	SCREW, SELF-TAPPING, ST5×10		2
18	8050153	CHAIN		1
19	8050156	LID, SOLUTION TANK FILL PORT		1
20	8050150-BK	LID, KIT		1
21	8113009	NYLON, CLAMP		7
22	1123305	LOCK NUT M3		2
23	8113010	BRACKET, CONNECTOR MOUNTING		1
24	1434300	LOCK WASHER, TOOTH, M3		2
25	1211325	SCREW M3×25		2
26	8134783	BATTERY CONNECT CABLE, ASSEMBLY		1

OPERATOR MANUAL

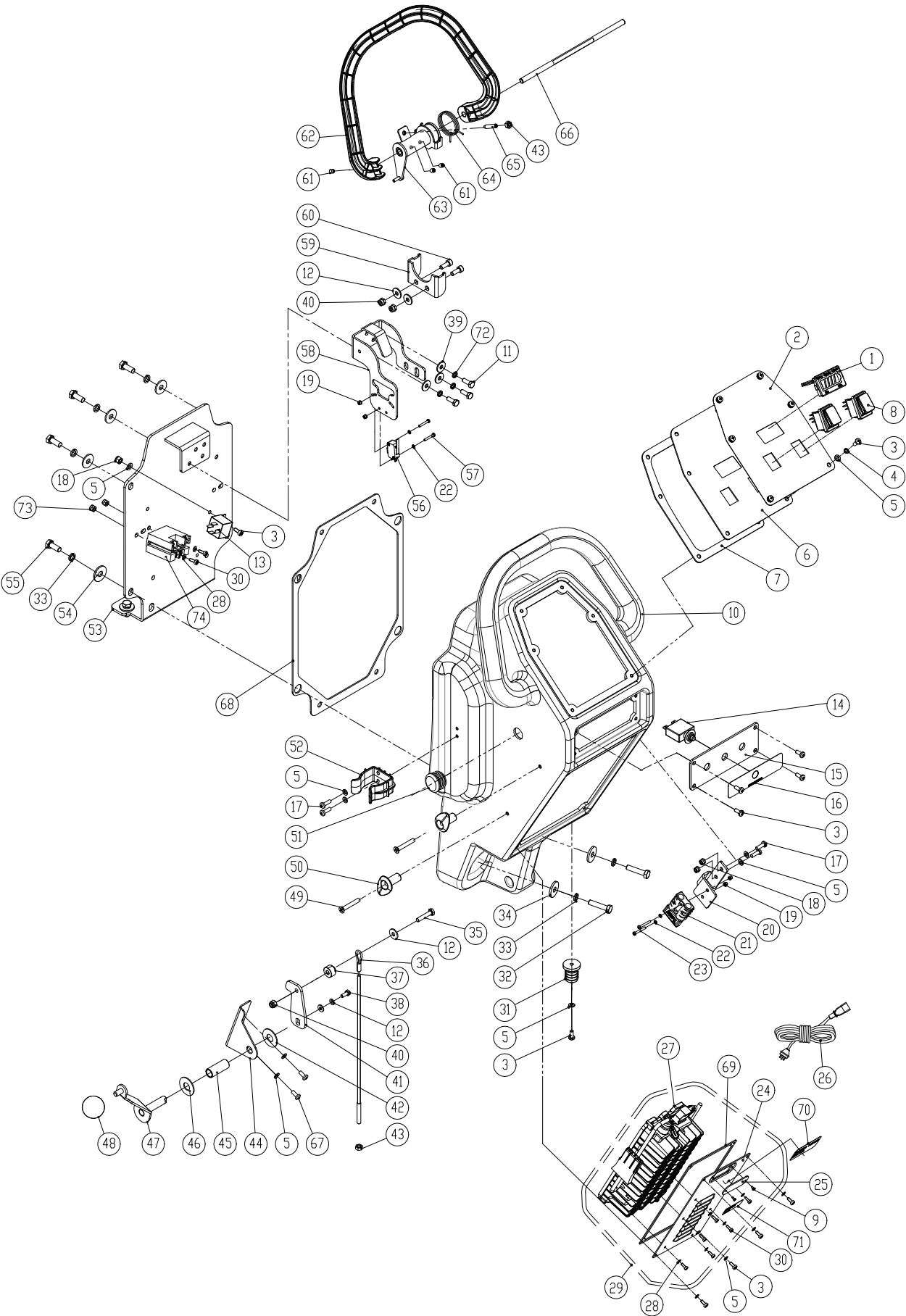
SOLUTION TANK GROUP

DIA NO.	PART NUMBER	DESCRIPTION	SERIAL NUMBER	NO. REQ'D
27	1422513	LOCK WASHER M5		2
28	1321110	SELF-TAPPING SCREW ST3.5×10		1
29	1421412	FLAT WASHER M4×DIA12×1.0		1
30	8133002	CAP, SOLUTION FILL		1
31	1221512	SCREW M5×12		9
32	8133027	LABEL,BALL VALVE		1

NOTES:

DIA NO.2:Change the material number so that the material number is the same as the actual use number;

CONTROL CONSOLE GROUP



OPERATOR MANUAL

CONTROL CONSOLE GROUP

DIA NO.	PART NUMBER	DESCRIPTION	SERIAL NUMBER	NO. REQ'D
1	8014063	BATTERY CAPACITY INDICATOR		1
2	8134741	CONTROL PANEL DECAL, I20NBV		1
3	1221512	SCREW M5×12		17
4	1422513	LOCK WASHER M5		6
5	1421510	FLAT WASHER M5×DIA10×1.0		13
6	8134811	CONTROL PANEL, I20NBV		1
7	8134015	GASKET		1
8	8014006	WATERPROOF SWITCH		2
9	1221306	SCREW M3×6		2
10	8134005	CONTROL HOUSING, I20NBV		1
11	1021616	HEX BOLT M6×16		5
12	1421618	PLAIN WASHER M6×DIA18×1.6, SS		5
13	8114707	RELAY		1
14	8114703	OVERLOAD PROTECTOR, 35A		1
15	8134006	PLATE, CIRCUIT BREAKERS MOUNTING		1
16	8144025	LABEL, CIRCUIT BREAKER		1
17	1221515	PH SCREW M5×15		4
18	1123507	LOCK NUT M5		4
19	1123305	LOCK NUT M3		4
20	8113010	BRACKET, CONNECTOR MOUNTING		1
21	8113020	CONNECTOR		1
22	1434300	LOCK WASHER, TOOTH, M3		4
23	1211325	SCREW M3×25		2
24	8134060	PLATE, ON BOARD BATTERY CHARGER	60041100101~60041100274	1
	8134066	PLATE, ON BOARD BATTERY CHARGER	60041100275~	
25	8134061	CLEAR COVER		1
26	8112030A	BATTERY CHARGER POWER CORD, KIT	60041100101~60041100274	1
	8112030	BATTERY CHARGER POWER CORD, KIT, US	60041100275~	1
27	8132020-PC	Pro charging charger	60041100101~60041100274	1
	8132015	ON BOARD BATTERY CHARGER, 380W	60041100275~	
28	1421409	FLAT WASHER, M4×DIA9×0.8		6
29	8132071-US	CHARGER BRACKET,KIT	60041100101~60041100274	1
	8132015A	Onboard Charger Kit with Charger Plate and Cover	60041100275~	
30	1221412	SCREW M4×12		6
31	8114005	CONNECTOR		1
32	1021840	HEX BOLT M8×40		2
33	1422821	LOCK WASHER M8		12
34	1421828	FLAT WASHER M8×DIA28×3		2
35	1021630	HEX HEAD BOLT M6×30, SS		1
36	8134082	CABLE, SQUEEGEE LIFT		1
37	8014101	LIFTING ROPE SPACER		1

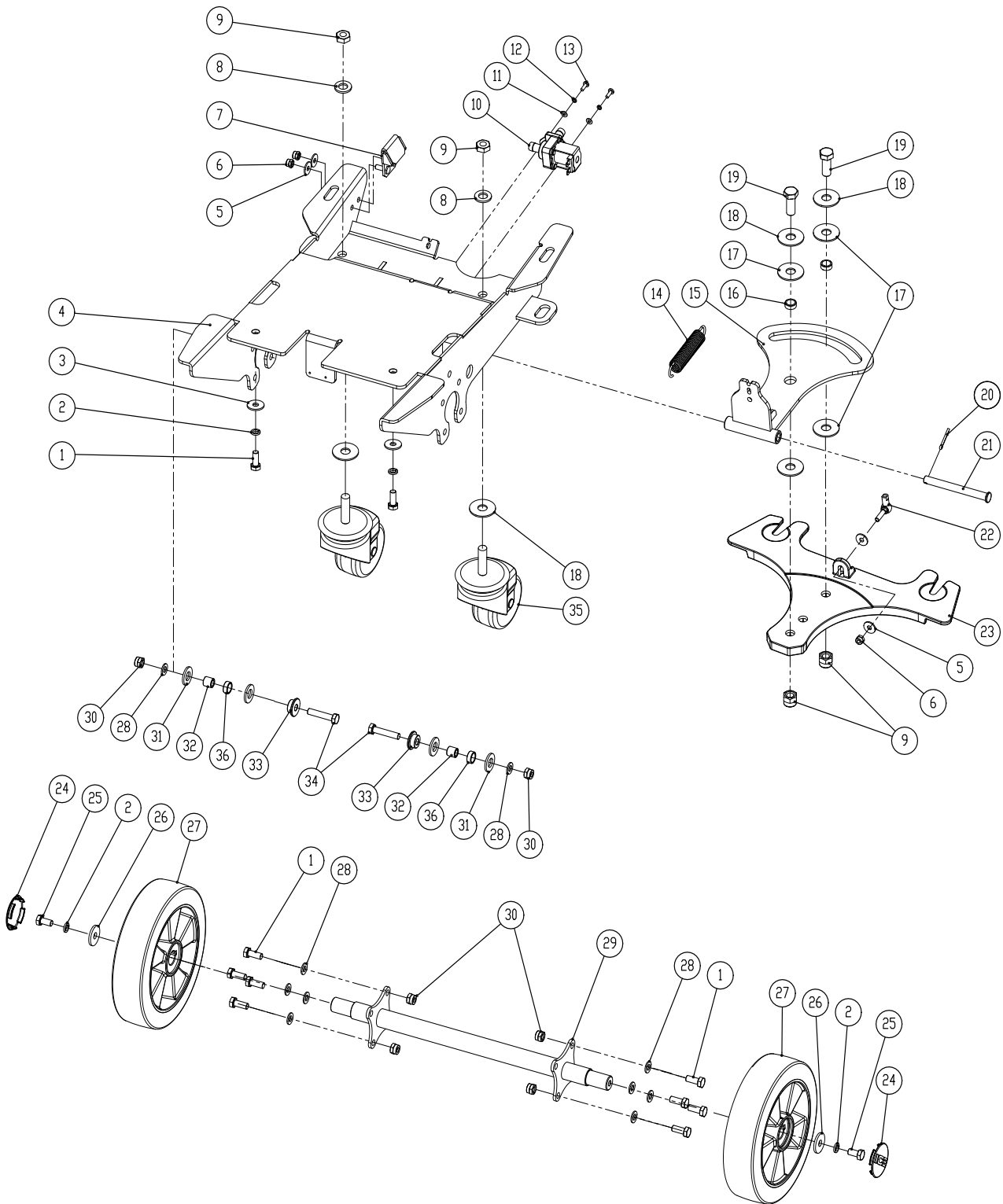
CONTROL CONSOLE GROUP

DIA NO.	PART NUMBER	DESCRIPTION	SERIAL NUMBER	NO. REQ'D
38	1021610	HEX HEAD BOLT M6×10, SS		1
39	1421612	FLAT WASHER M6×DIA12×1.6		3
40	1123608	LOCK NUT M6		3
41	8014012	BAFFLE		1
42	8113111	NYLON FLAT WASHER DIA12.9×DIA25.4×0.8		1
43	1121605	HEX NUT M6		2
44	8134501	BRACKET		1
45	8134081	SLEEVEE		1
46	1421132	FLAT WASHER M12×DIA32×1.5		1
47	8134080	SQUEEGEE LIFTING HANDLE		1
48	8113104	BALL KNOB M8		1
49	1222641	SUNK HEAD SCREW M6×40		2
50	8210112	HOOK,POWER CORD		2
51	8014054	STRAIN RELIEF	60041100101~60041100274	4
	7000318	PLUG(ROUND PLUG)	60041100275~	1
52	6210120	CLAMP, DRAIN HOSE		1
53	8134070	REAR PLATE, CONTROL CONSOLE		1
54	1421824	FLAT WASHER M8×DIA24×2		10
55	1021820	HEX BOLT M8×20		10
56	8114712	MICRO SWITCH		1
57	1021320	SCREW M3×20		2
58	8134022	BRACKET, SWITCH		1
59	8114402	BRACKET, SPRING		1
60	1521616	SCREW M6×16, HEX SCOKET		2
61	1534608	SET SCREW M6×8		4
62	8134301	LEVER, BAIL		1
63	8114300	ACTUATOR		1
64	8114306	SPRING		1
65	1535630	SET SCREW M6×30		1
66	8114101	SHAFT		1
67	1021512	HEX HEAD BOLT M5×12, SS		2
68	8134085	SEALING RING ON back OF CONTROL BOX	60041100275~	1
69	8134083	CONTROL BOX SEAL RING	60041100275~	1
70	8133051	CHARGING STATUS INDICATING STICKER	60041100275~	1
71	8140022	CHARGER CODING STICKER(FIRMWARE UPGRADE)	60041100436~	1
72	1422616	WASHER LOCK φ6		4
73	1123406	NUT, LOCK, M4		2
74	8210421	RELAY		1

NOTES:

DIA NO 68,69,70,71:Structural optimization increase.

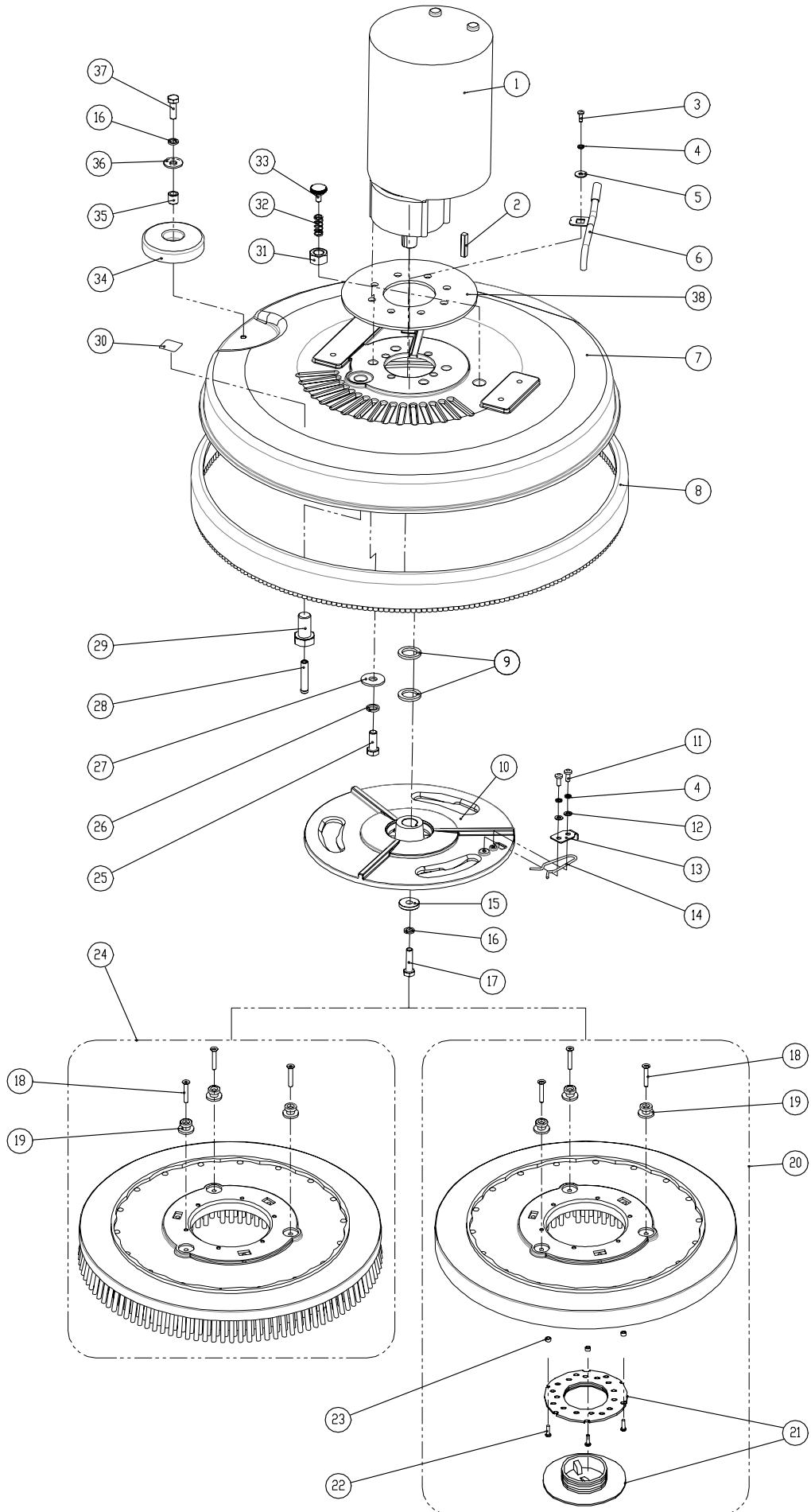
FRAME & WHEEL GROUP



FRAME & WHEEL GROUP

DIA NO.	PART NUMBER	DESCRIPTION	SERIAL NUMBER	NO. REQ'D
1	1021820	HEX BOLT M8×20		12
2	1422821	LOCK WASHER M8		6
3	1421824	FLAT WASHER M8×DIA24×2		4
4	8145100	MAIN FRAME		1
5	1421618	FLAT WASHER M6×DIA18×1.6		4
6	1123608	LOCK NUT M6		3
7	8115300	BRACKET, PEDAL LOCKING		1
8	1421124	FLAT WASHER M12×DIA24×2.5		4
9	1123115	LOCK NUT M12		4
10	8119003	SOLENOID VALVE, 24VDC		1
11	1421409	FLAT WASHER M4×DIA9×0.8		2
12	1422411	LOCK WASHER M4		2
13	1221412	SCREW M4×12		4
14	8115004	SPIRNG		1
15	8135010	BRACKET, SQUEEGEE LIFT	60041100257~	1
16	8115005	AXLE SLEEVE		2
17	8135001	PLASTIC THRUST WASHER M12×DIA30×1.5		4
18	1421132	FLAT WASHER M12×DIA32×1.5		4
19	1021230	HEX BOLT M12×30		2
20	1645324	COTTER 3.2×24		1
21	8115003	PIN		1
22	8114511	BALL JOINT M6		1
23	8115001	BRACKET, SQUEEGEE MOUNTING		1
24	8115206	COVER, WHEEL		2
25	1021816	HEX BOLT M8×16		2
26	1421828	FLAT WASHER M8×DIA28×3		2
27	8115200	WHEEL, 8 INCH		2
	1612607	BALL BEARING, 6004LU		4
28	1421816	FLAT WASHER M8×DIA16×1.6		10
29	8135405	SHAFT		1
30	1123810	LOCK NUT M8		10
31	8117007	NYLON WASHER DIA12.9×DIA24×2.5		4
32	8115404	BEARING, JOURNAL		2
33	8145001	BUSHING		2
34	1021840	HEX BOLT M8×40		2
35	8115500	CASTER, SWIVEL, 80MM		2
36	8115405	SLEEVE, P/M		2

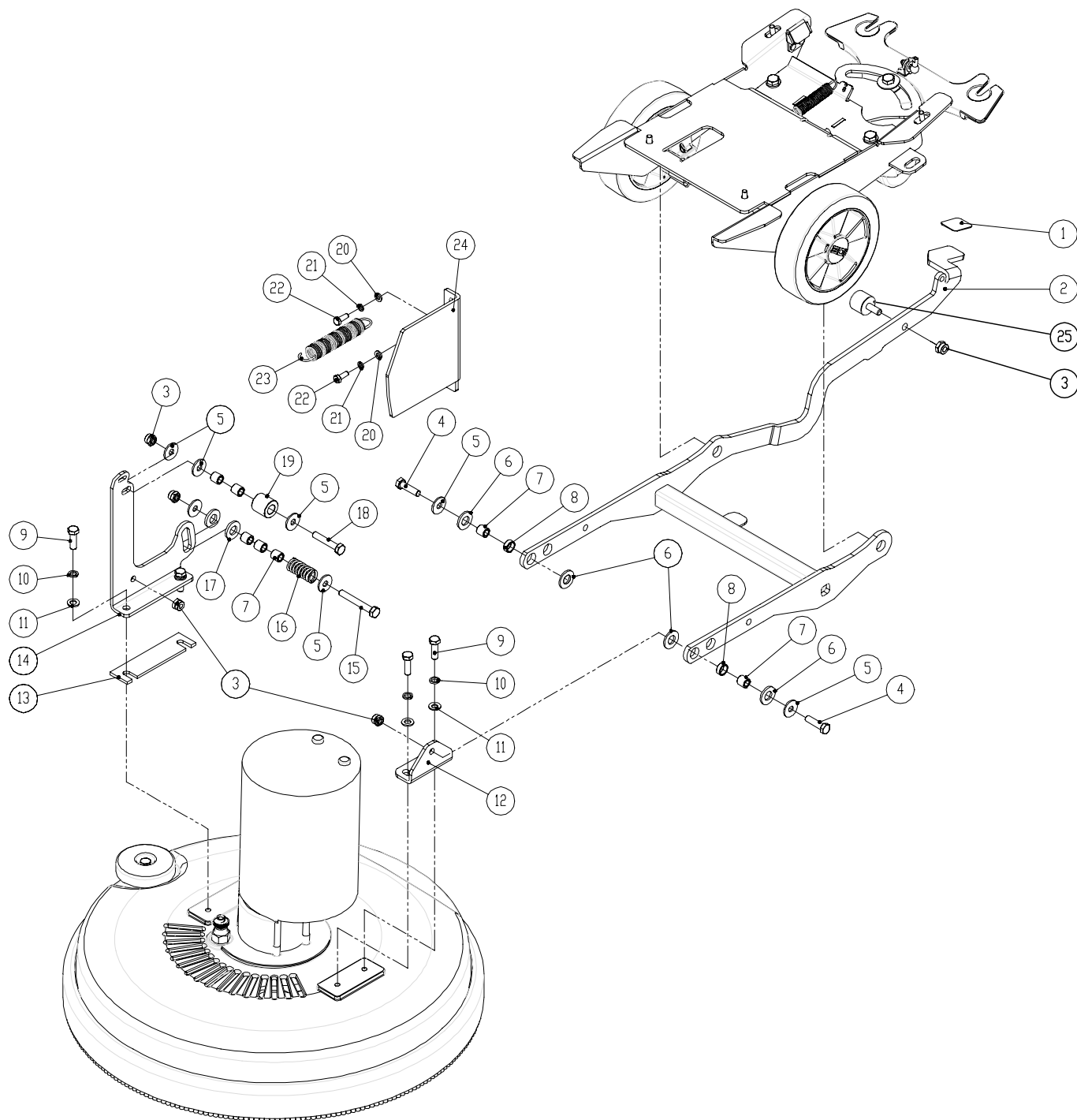
SCRUB HEAD GROUP



SCRUB HEAD GROUP

DIA NO.	PART NUMBER	DESCRIPTION	SERIAL NUMBER	NO. REQ'D
1	8015200	BRUSH MOTOR, 24V,550W,KIT		1
2	1656433	KEY		1
3	1221412	SCREW M4×12		1
4	1422513	LOCK WASHER M5		3
5	1421518	FLAT WASHER M5×DIA18×2		1
6	8116100	WATER SUPPLY TUBE		1
7	8116017	SCRUB HEAD HOUSING		1
8	8116020	BUMPER, SCRUB HEAD		1
9	8116001	SPACER		2
10	8116008	HUB, DRIVE, 3 LUG		1
11	1221512	SCREW M5×12		2
12	1421510	FLAT WASHER M5×DIA10×1		2
13	8116002	BRUSH CLAMP PLATE		1
14	8116003	SPRING CLIP		1
15	8116010	FLAT WASHER DIA8.5×DIA25.4×4.5		1
16	1422821	LOCK WASHER M8		2
17	1023815	HEX BOLT 5/16-18×1.5" UNC		1
18	1222635	SCREW, M6x35		6
19	8116030	STUD		6
20	9040019	19" PAD DRIVER		1
21	9000001	BIG MOUTH		1
22	1321325	SELF-TAPPING SCREW, ST4.8×25		3
23	8116040	SPACER		3
24	9050020	20" BRUSH, 0.7mm PP BRISTLE (OPTION)		1
	9050020E	20" BRUSH, 0.5mm PP BRISTLE (OPTION)		1
25	1023010	HEX BOLT 3/8-16×1" UNC		4
26	1422026	LOCK WASHER M10		4
27	1421030	FLAT WASHER M10×DIA30×2.5		4
28	8116202	PIN		1
29	8116205	SCREW M14×20		1
30	8111023	WARNING LABEL		1
31	1121913	HEX NUT M14		1
32	8116204	SPRING		1
33	8116210	KNOB M6		1
34	8116078	PROTECTIVE WHEEL		1
35	8115404	SLEEVE, P/M		1
36	1421824	FLAT WASHER M8×DIA24×2.0		1
37	1021825	HEX BOLT M8×25		1
38	8210803	SPACER,RUBBER		1

SCRUB HEAD LIFT GROUP



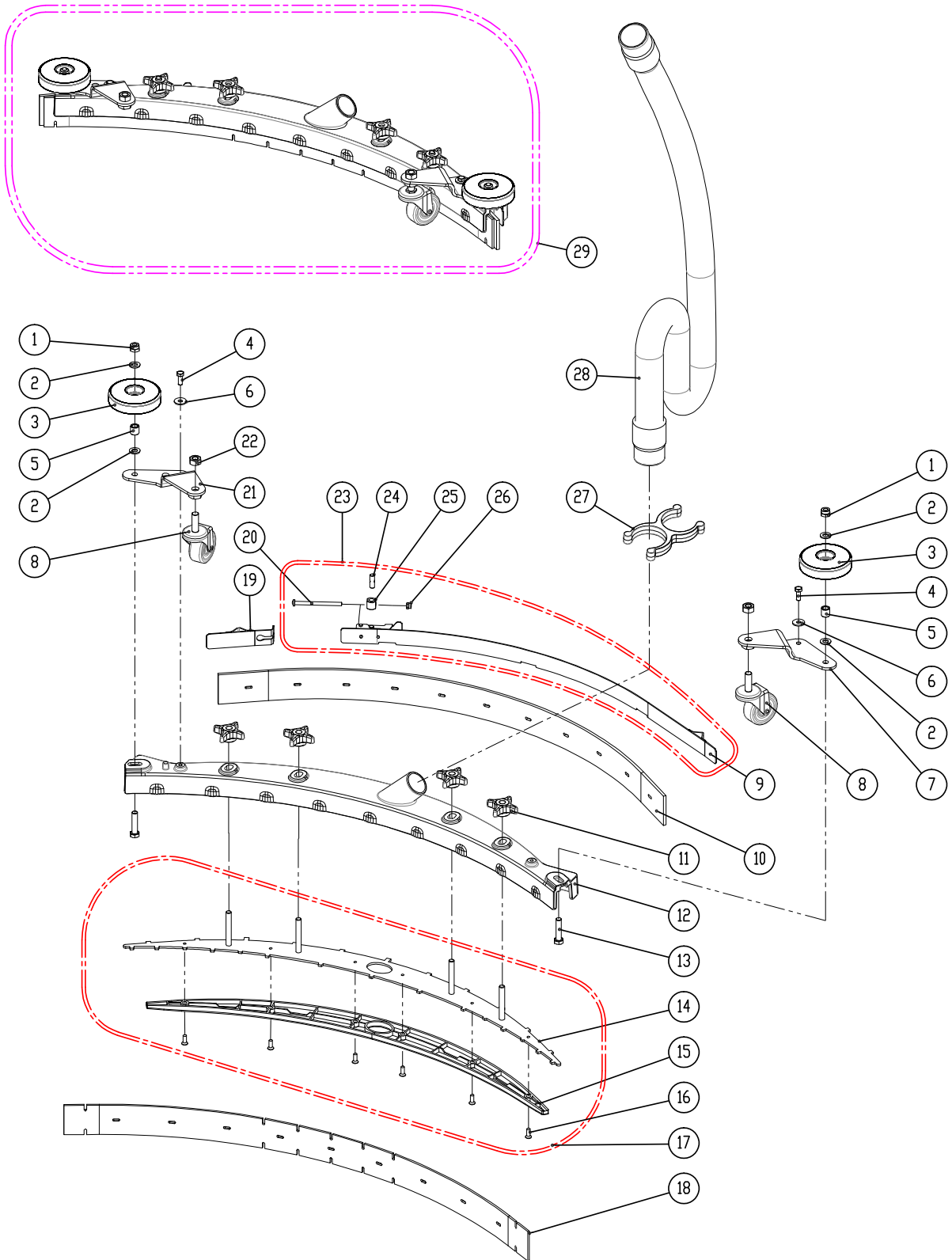
SCRUB HEAD LIFT GROUP

DIA NO.	PART NUMBER	DESCRIPTION	SERIAL NUMBER	NO. REQ'D
1	8137006	NON-SLIP MAT		1
2	8137100	BRACKET, SCRUB HEAD LIFT		1
3	1123810	LOCK NUT M8		5
4	1021830	HEX BOLT M8×30		2
5	1421824	FLAT WASHER M8×DIA24×2		6
6	8117007	NYLON WASHER DIA12.9×DIA24×2.5		4
7	8115404	BEARING, JOURNAL		7
8	8115405	SLEEVE, P/M		2
9	1021825	HEX BOLT M8×25		4
10	1422821	LOCK WASHER M8		4
11	1421816	FLAT WASHER M8×DIA16×1.6		4
12	8117002	LEFT BRACKET		1
13	8117005	SPACER		1
14	8117003	RIGHT BRACKET		1
15	1022860	HEX BOLT M8×60		1
16	8117008	SPRING		1
17	8113109	BEARING, THRUST		2
18	1022845	HEX BOLT M8×45		1
19	8117004	ROLLER		1
20	1421612	FLAT WASHER M6×DIA12×1.6		2
21	1422616	LOCK WASHER M6		2
22	1021616	HEX BOLT M6×16		2
23	8133150	SPRING		1
24	8117001	BRACKET, GUIDE		1
25	8133151	BUMPER	60041100275~	1

NOTES:

DIA NO 25: Structural optimization increase。

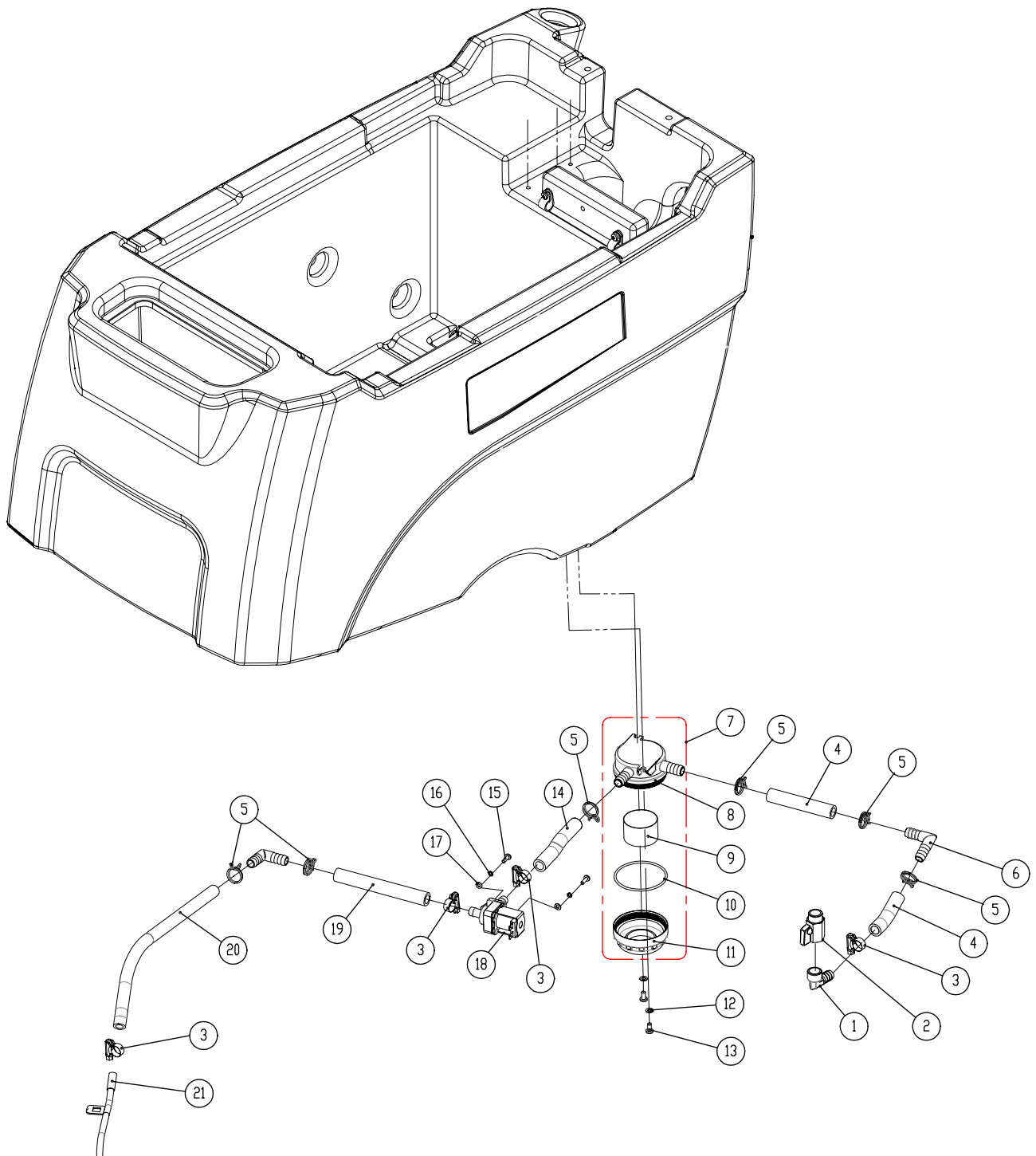
SQUEEGEE GROUP



SQUEEGEE GROUP

DIA NO.	PART NUMBER	DESCRIPTION	SERIAL NUMBER	NO. REQ'D
1	1123810	LOCK NUT M8		2
2	1421824	FLAT WASHER M8×DIA24×2.0		4
3	8116078	PROTECTIVE WHEEL		2
4	1021616	HEX BOLT M6×16		2
5	8115404	BEARING, JOURNAL		2
6	1421612	FLAT WASHER M6×DIA12×1.6		2
7	8118300	LEFT BRACKET		1
8	8118400	CASTER, 2 INCH		2
9	8118600	CLAMP ASSEMBLY, SQUEEGEE		1
10	8118022	SQUEEGEE BLADE, REAR, LINATEX		1
	8118002	SQUEEGEE BLADE, REAR, PU(OPTION)		1
11	8118003	STAR KNOB M8		4
12	8118004	SQUEEGEE HOUSING		1
13	1021835	HEX BOLT M8×35		2
14	8118009	STAINLESS STEEL RETAINER, SQUEEGEE		1
15	8118008	PLASTIC SPACER		1
16	1222515	COUNTERSUNK FLAT HEAD SCREW M5×15		6
17	8118010	RETAINER KIT		1
18	8118021	SQUEEGEE BLADE, FRONT, LINATEX		1
	8118001	SQUEEGEE BLADE, FRONT, PU(OPTION)		1
19	8118610	SHORT CLAMP ASSEMBLY		1
20	1221575	SCREW M5×75		1
21	8118200	RIGHT BRACKET		1
22	1121008	HEX NUT M10		2
23	8118600A	CLAMP ASSEMBLY		1
24	8118624	SHAFT		1
25	8118623	SPACER		1
26	1123507	LOCK NUT M5		1
27	8118109	HOLDER VACUUM HOSE		1
28	8118018	VACUUM HOSE		1
29	8118000-BK	SQUEEGEE ASSEMBLY, LINATEX		1

SOLUTION GROUP



SOLUTION GROUP

DIA NO.	PART NUMBER	DESCRIPTION	SERIAL NUMBER	NO. REQ'D
1	8119007	ELBOW G1/2		1
2	8119005	BALL VALVE, G1/2		1
3	1962016	CLAMP, 10-16mm		4
4	8119201	TUBING ID=12MM L=70MM		2
5	8119006	CLAMP		6
6	8119002	TUBING ID=12MM L=100MM		2
7	8119200	SCREEN, FILTER, 40 MESH		1
8	8119101	BASE, FILTER ASSEMBLY		1
9	8119104	SCREEN, FILTER, 40 MESH		1
10	1623660	O RING		1
11	8119102	CAP, FILTER ASSEMBLY		1
12	1421510	FLAT WASHER M5×DIA10×1		2
13	1221512	SCREW M5×12		2
14	8119202	TUBING ID=12MM L=100MM		1
15	1221412	SCREW M4×12		2
16	1422411	LOCK WASHER M4		2
17	1421409	FLAT WASHER M4×DIA9×0.8		2
18	8119003	SOLENOID VALVE, 24VDC		1
19	8119203	TUBING ID=12MM L=135MM		1
20	8119204	TUBING ID=10MM L=360MM		1
21	8116100	WATER SUPPLY TUBE		1

NOTES:

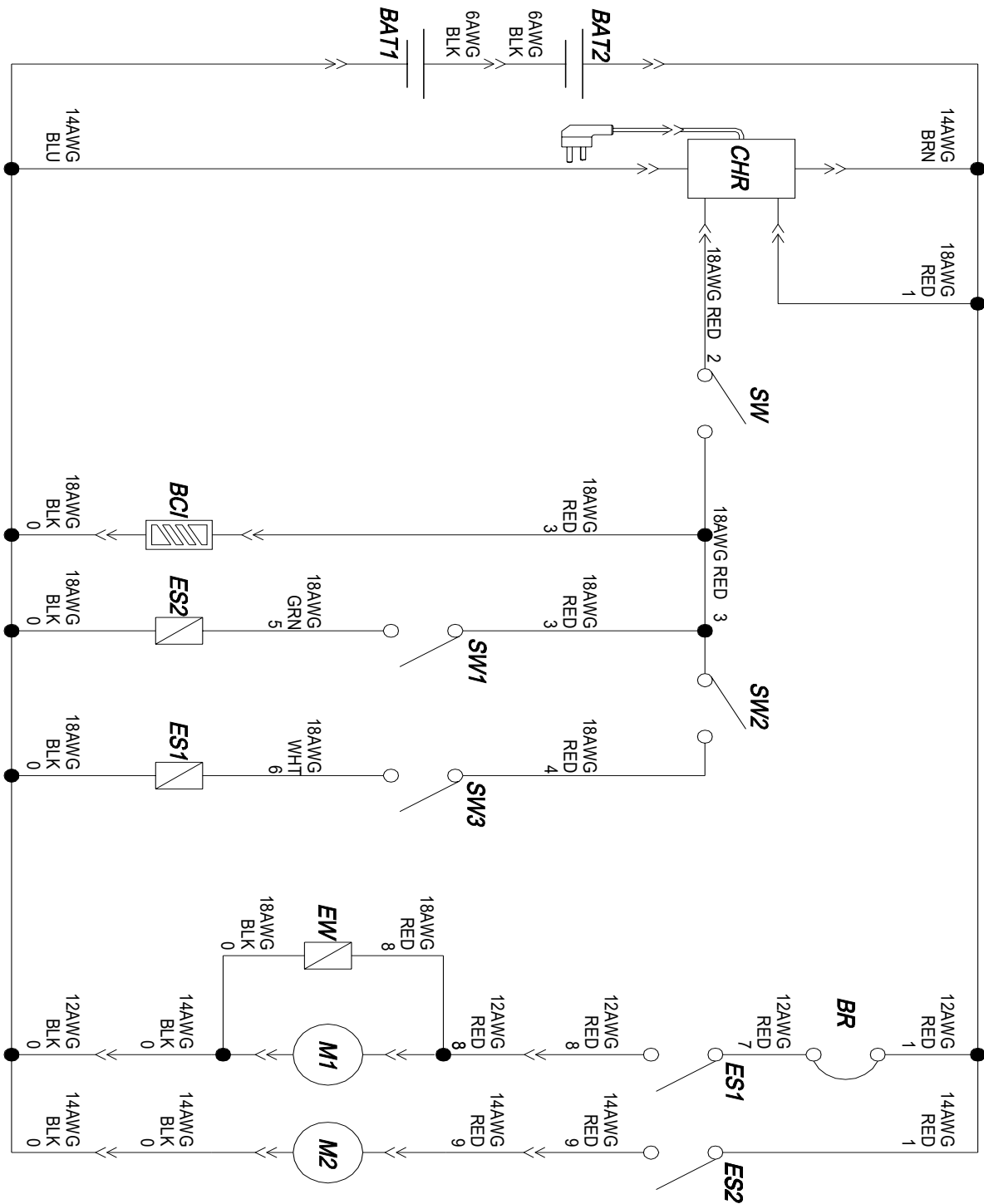
DIA NO 3~11: Change the material number so that the material number is the same as the actual use number;

OPERATOR MANUAL

WEAR AND TEAR PARTS

DIA NO.	PART NUMBER	DESCRIPTION	SERIAL NUMBER	NO. REQ'D
1	8115200	WHEEL, 8 INCH		2
	1612607	BEARING, BALL, 6004, 8" WHEEL		4
2	8116078	PROTECTIVE WHEEL		3
3	8118021	SQUEEGEE BLADE, FRONT, LINATEX		1
4	8118022	SQUEEGEE BLADE, REAR, LINATEX		1
5	9050020	20" BRUSH, 0.7MM PP BRISTLE, BLACK. (OPTIONAL)		1
	9050020E	20" BRUSH, 0.5MM PP BRISTLE, BLUE. (OPTIONAL)		1
6	9040019	19" PAD HOLDER		1

WIRING DIAGRAM(i20NBV)



BAT1: 12V battery

BAT2: 12V battery

CHR: Charger

SW: Main switch

SW1: Vacuum motor switch

SW2: Brush motor safety switch

SW3: Control handle switch

BCI: Battery capacity indicator

ES1: Brush motor solenoid switch

ES2: Vacuum motor relay

BR: Circuit breaker

EW: Solution solenoid valve

M1: Brush motor

M2: Vacuum motor

CERTIFICATE OF QUALIFIED

MODEL:_____ SERIAL NO.:_____

INSPECTOR:_____ DATE:_____

ICE Cobotics (GuangDong)Company Limited

TEL:(+86) 769 8186 9000 FAX:(+86) 769 8186 3000