

Autonomous Hard Floor Scrubber Cobi 18



Table of Contents

CHASSIS GROUP.....2-4

BUMPER GROUP.....5-6

VACUUM MOTOR GROUP.....7-8

TRACTION WHEEL GROUP.....9-10

SENSOR & LINEAR ACTUATOR GROUP.....11-12

BRUSH DECK GROUP.....13-15

SCRUB HEAD LIFT GROUP.....16-17

TANK GROUP(CH,HK,EU).....18-19

TANK GROUP(US).....20-21

UPPER HOUSING GROUP(CH,HK,EU).....22-24

UPPER HOUSING GROUP(US).....25-27

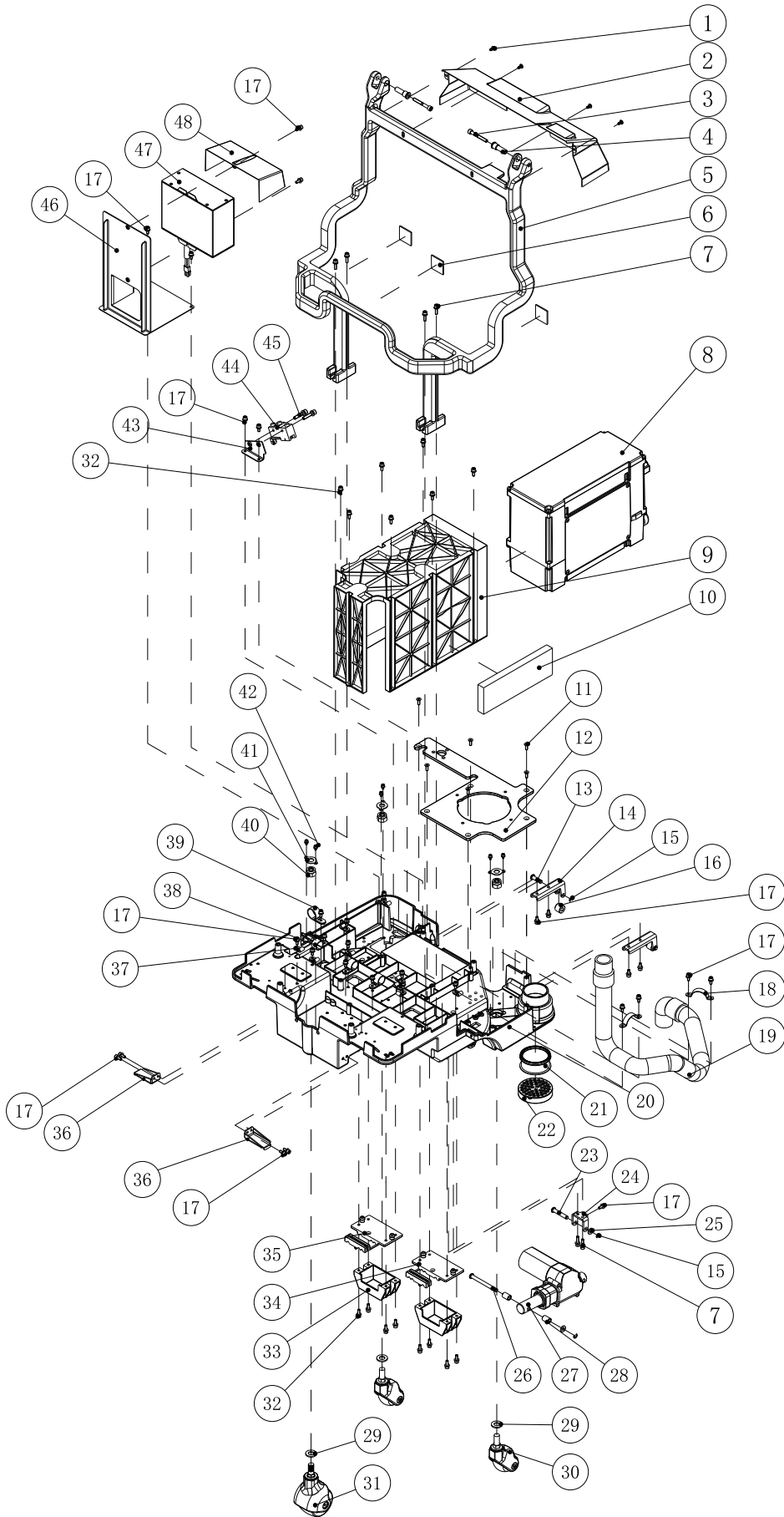
FRONT SHADE GROUP.....28-29

SQUEEGEE GROUP.....30-31

ELECTRICAL COMPONENTS GROUP.....32-33

WEARING PARTS LIST.....34-35

CHASSIS GROUP



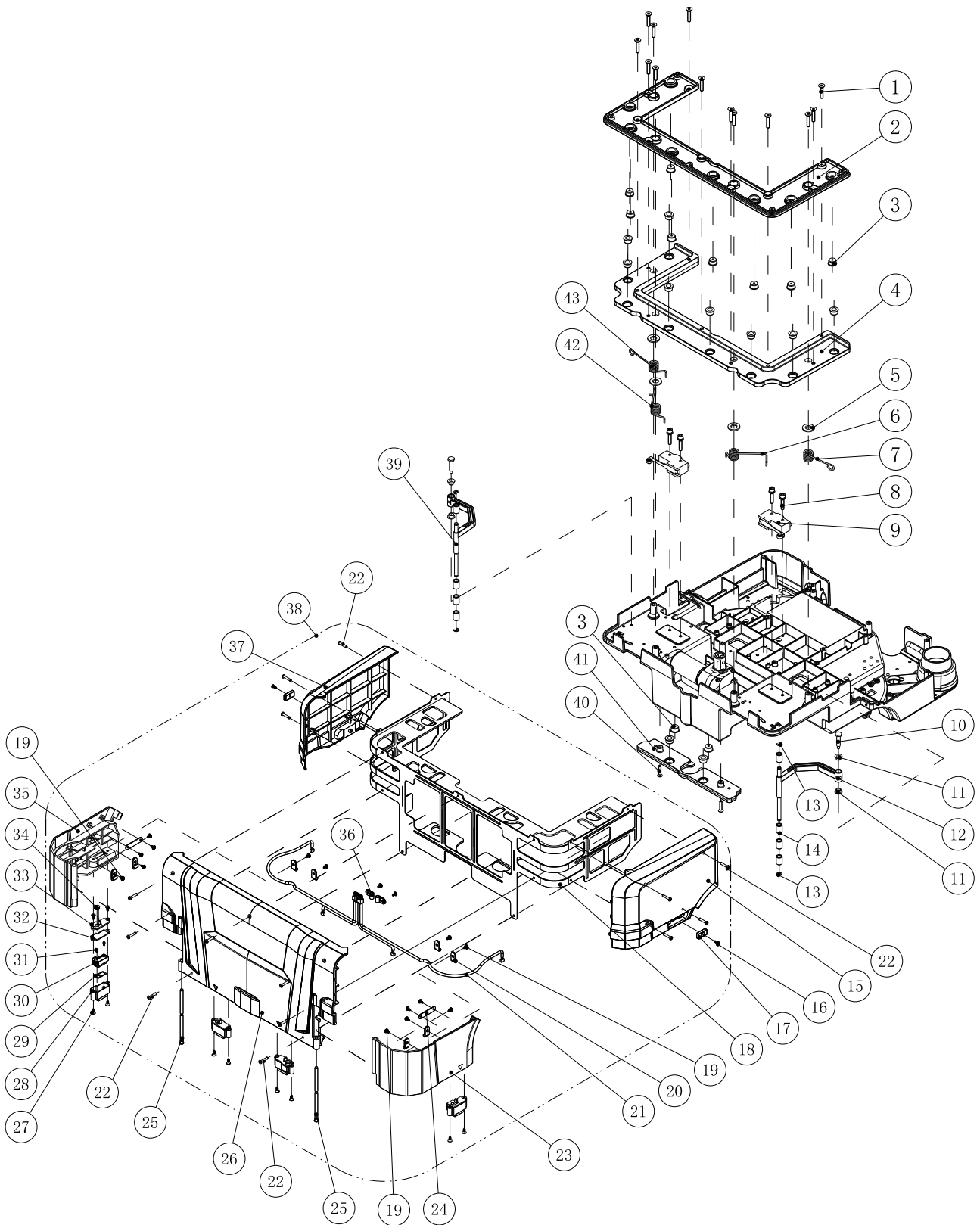
CHASSIS GROUP

DIA No.	PART NUMBER	VER	SERIAL NUMBER	DESCRIPTION	QTY.
1	1321210	01	(100000-) SELF-TAPPING SCREW, ST3.9X10	4
2	8490624	01	(100000-) WATER RETAINING COVER, CONTROLLER	1
3	8490612	01	(100000-) SOCKET HEAD CAP SCREW, M5 X 40	2
4	8490615	02	(100436-) SHAFT SLEEVE	2
5	8490607	02	(100436-) MAIN FRAME	1
6	8490726	01	(100000-) VIBRATION PATCH	3
7	1510416GL	01	(100000-) SOCKET HEAD CAP SCREW, M4X16	6
8	N250025	02	(100000-) LITHIUM-ION BATTERY, 25V 25Ah	1
9	8490604	04	(101211-) BATTERY COVER	1
10	8490724	01	(100000-) SOUND-ABSORBING COTTON	1
11	1513412GL	01	(100000-) SOCKET HEAD,COUNTERSUNK CAP SCREW,M4X12	6
12	8490509	01	(100000-) COVER PLATE	1
13	8490563	01	(100000-) PIN	2
14	8490561	01	(100000-) BRACKET	2
15	1439004GL	01	(100000-) SPLIT WASHER	3
16	8490562	01	(100000-) SLEEVE	2
17	1510410GL	01	(100000-) SOCKET HEAD CAP SCREW, M4X10	28
18	8490526	01	(100000-) METAL PLATE	2
19	8491508	01	(101211-) SQUEEGEE VACUUM HOSE	1
20	8490001	06	(101275-) CHASSIS	1
21	8490714	02	(100000-) FILTER	1
22	8490004	01	(100000-) EXHAUST WINDOW	1
23	8490332	01	(100000-) PIN	1
24	8490321	01	(100000-) MOUNTING BASE	3
25	1421612GL	01	(100000-) FLAT WASHER	2
26	8490313	01	(100000-) PIN	1
27	8490006	05	(100701-) LINEAR ACTUATOR	1
28	8490312	01	(100000-) SPACER BUSHING	2
29	1421020GL	01	(100000-) FLAT WASHER	3
30	8490016	03	(100000-) CASTER	2
31	8490017	03	(100000-) FRONT CASTER	1
32	1510412GL	01	(100000-) SOCKET HEAD CAP SCREW, M4X12	15
33	8490633	01	(100000-) WATERPROOF COVER	2
34	8490634	03	(100000-) GASKET, LEFT TRACTION MOTOR	1
35	8490636	03	(100000-) GASKET, RIGHT TRACTION MOTOR	1
36	8491325	01	(101275-) BRACKET	2
37	1885120	02	(100000-) 3/16" WIRE CLAMP	9
38	1885102	02	(100000-) 1/2" WIRE CLAMP	3
39	7240860	02	(100000-) 3/4" WIRE CLAMP	1
40	1123012	01	(101137-) LOCK NUT, M10	3

CHASSIS GROUP

DIA No.	PART NUMBER	VER	SERIAL NUMBER	DESCRIPTION	QTY.
41	8490103	01	(100000-)	FRONT CASTER MOUNTING PLATE	3
42	1510306GL	01	(100000-)	SOCKET HEAD CAP SCREW, M3X6	8
43	8490638	02	(100000-)	MICROSWITCH BRACKET	1
44	8470714	02	(100000-)	MICRO SWITCH	1
45	1510425	01	(100000-)	SOCKET HEAD CAP SCREW, M4X25	2
46	8490616	02	(100000-)	CHARGER MOUNTING PLATE	1
47	8460805	07	(101211-)	CHARGER	1
48	8490625	01	(100000-)	CHARGER WATER COVER	1

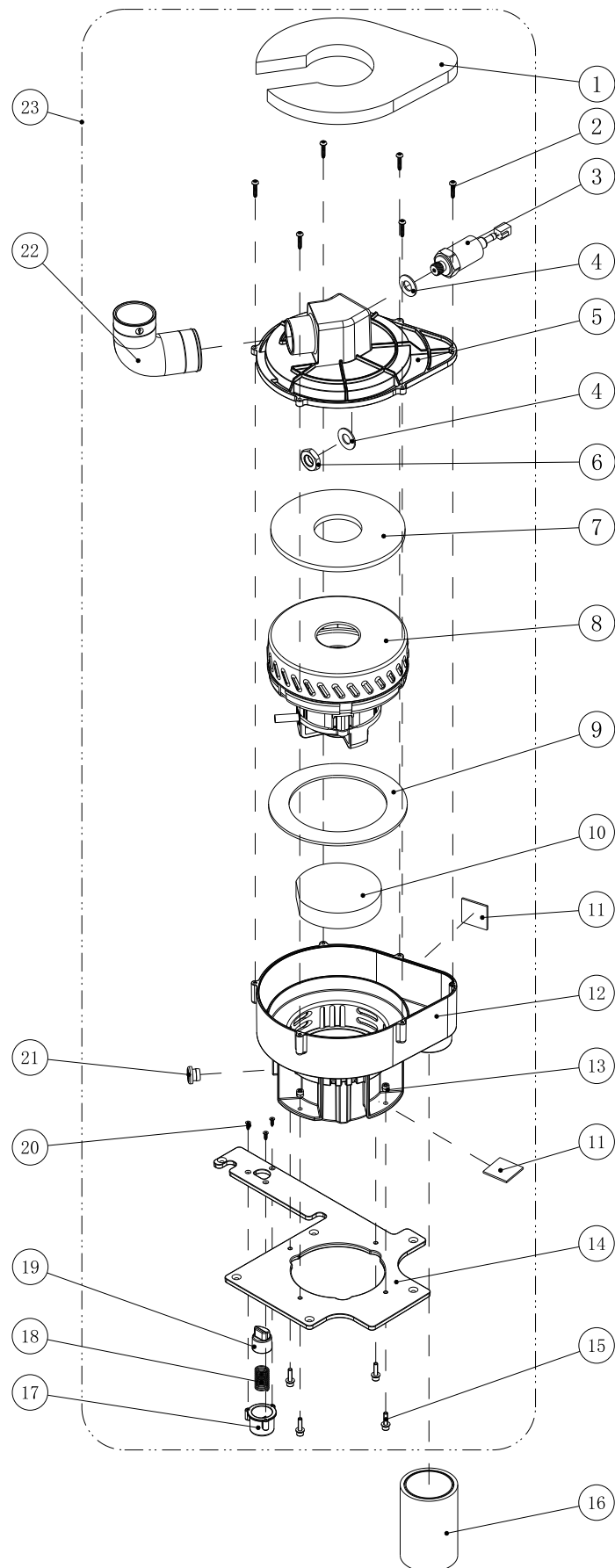
BUMPER GROUP



BUMPER GROUP

DIA No.	PART NUMBER	VER	SERIAL NUMBER	DESCRIPTION	QTY.
1	1513525	01	(100000-)	SOCKET HEAD,COUNTERSUNK CAP SCREW,M5X25	13
2	8490344	03	(100000-)	MOUNTING BRACKET, BOTTOM	1
3	8490343	01	(100000-)	UNIVERSAL BALL	20
4	8490341	03	(100000-)	MOUNTING BRACKET, TOP	1
5	1421020GL	01	(100000-)	FLAT WASHER	4
6	8490346	02	(100556-)	RETURN SPRING, BUMPER, RIGHT FRONT	1
7	8490387	03	(100556-)	RETURN SPRING, BUMPER, RIGHT REAR	1
8	1510425	01	(100000-)	SOCKET HEAD CAP SCREW, M4X25	4
9	8470714	02	(100000-)	MICRO SWITCH	2
10	8490348	02	(100000-)	SCREW ROD	2
11	8490326	02	(100000-)	BUSHING	4
12	8490347	02	(100000-)	RETURN PUSH ROD, BUMPER, LEFT	1
13	1439004GL	01	(100000-)	SPLIT WASHER	4
14	8490312	01	(100000-)	SPACER BUSHING	8
15	8490019	05	(101275-)	FRONT BUMPER, RIGHT SIDE	1
16	1312310GL	01	(100000-)	SELF-TAPPING,COUNTERSUNK SCREW,ST2.9X10	2
17	8490354	02	(100000-)	MAGNET	2
18	8490349	02	(100000-)	ANTI-COLLISION EDGE BRACKET	1
19	1312306	02	(100898-)	SELF-TAPPING SCREW, ST2.9X6	16
20	1885121	02	(100000-)	1/8" WIRE CLAMP	8
21	8460852	03	(100000-)	CLIFF SENSOR WIRE	1
22	1662320	01	(101211-)	RIVET	15
23	8490008	07	(101275-)	LOWER LEFT ANTI-COLLISION EDGE	1
24	8490352	01	(100000-)	GUIDE BLOCK	2
25	8490355	03	(100898-)	PIN	2
26	8490003	07	(101275-)	BUMPER,FRONT	1
27	1312309	01	(100000-)	SELF-TAPPING,COUNTERSUNK SCREW,ST3.5X10	16
28	8480026	02	(100000-)	CLIFF SENSOR DUST PROOF HOUSING	4
29	8480027	02	(100000-)	GASKET,CLIFF SENSOR	4
30	7200147	00	(100000-)	CLIFF SENSOR	4
31	1321005GL	01	(100000-)	SELF-TAPPING SCREW, ST2X6	8
32	8480030	02	(100000-)	GASKET,CLIFF SENSOR	4
33	8480031	02	(100000-)	CLIFF SENSOR DUST COVER	4
34	8480032	01	(100000-)	GROMMET	4
35	8490007	07	(101275-)	LOWER RIGHT ANTI-COLLISION EDGE	1
36	1885120	02	(100000-)	3/16" WIRE CLAMP	2
37	8490018	05	(101275-)	FRONT BUMPER LEFT SIDE	1
38	8490009	02	(100898-)	BUMPER ASSEMBLY (INCLUDES THE CLIFF SENSORS)	1
39	8490353	01	(100000-)	RETURN PUSH ROD, BUMPER, RIGHT	1
40	1513420	01	(100000-)	SOCKET HEAD,COUNTERSUNK CAP SCREW,M4X20	2
41	8490351	03	(100000-)	BUMPER FIXED BASE	1
42	8490345	02	(100556-)	RETURN SPRING, BUMPER, LEFT UPPER	1
43	8490388	03	(100556-)	RETURN SPRING, BUMPER, LEFT LOWER	1

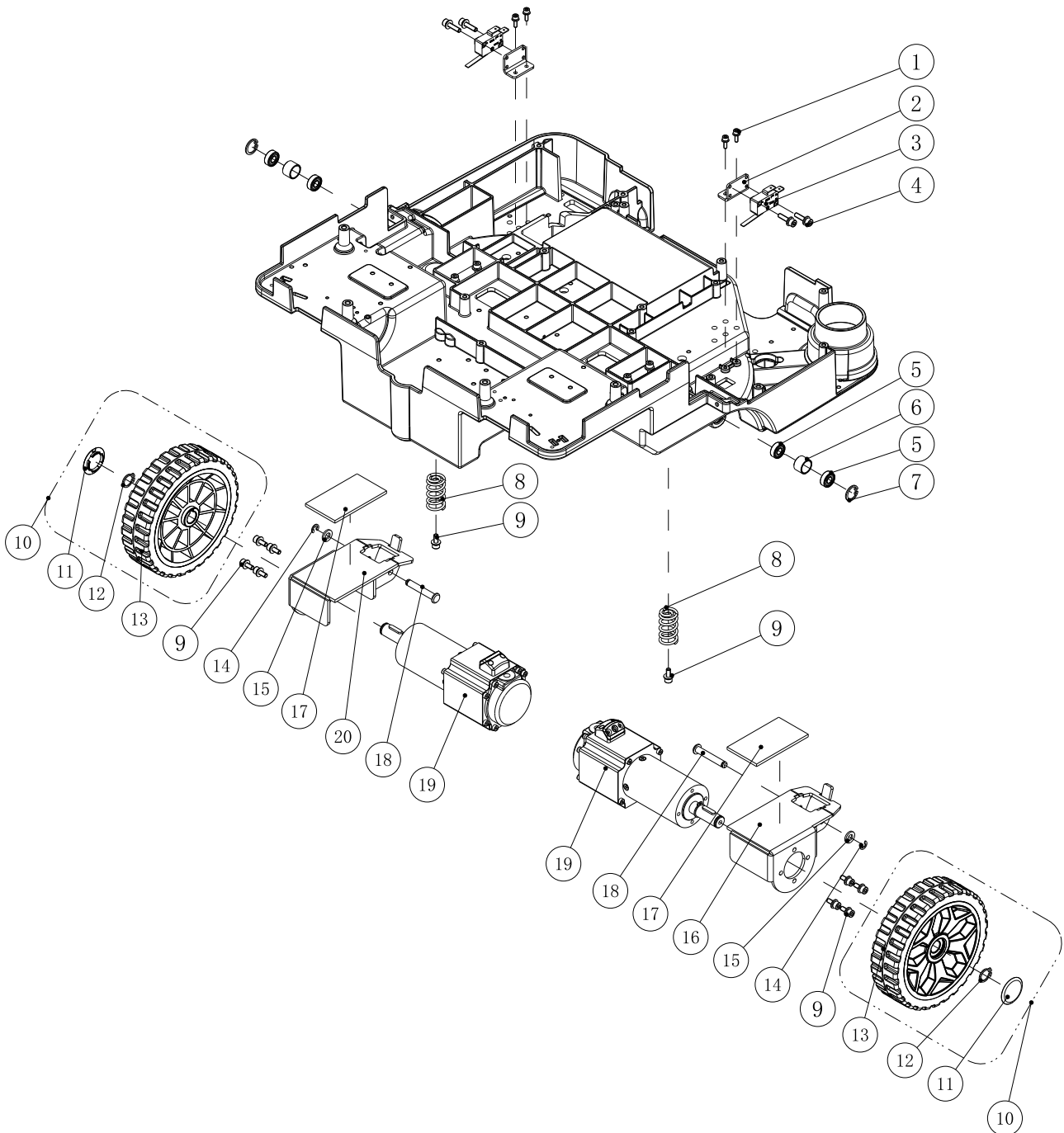
VACUUM MOTOR GROUP



VACUUM MOTOR GROUP

DIA No.	PART NUMBER	VER	SERIAL NUMBER	DESCRIPTION	QTY.
1	8490720	02	(100000-) SOUND-ABSORBING COTTON	1
2	1321419	01	(100000-) SELF-TAPPING SCREW, ST3.5X19	6
3	8470708	03	(100000-) PRESSURE SENSOR	1
4	7200328	00	(100000-) SEAL	2
5	8490712	01	(100000-) UPPER COVER, VACUUM MOTOR	1
6	7200197	00	(100000-) NUT	1
7	8490717	01	(100000-) GASKET	1
8	7220209	02	(100000-) VACUUM MOTOR, 1-STAGE	1
9	8490719	01	(100000-) GASKET	1
10	8490716	01	(100000-) FILTER, COTTON	1
11	8490726	01	(100000-) VIBRATION PATCH	2
12	8490711	01	(100000-) BOTTOM HOUSING, VACUUM MOTOR	1
13	1123406	01	(100000-) NUT, LOCK, M4	4
14	8490509	01	(100000-) COVER PLATE	1
15	1510416GL	01	(100000-) SOCKET HEAD CAP SCREW, M4X16	4
16	8490713	02	(100000-) EXHAUST BAFFLE	1
17	8490611	02	(100000-) BATTERY BUCKLE BASE	1
18	8490614	01	(100000-) SPRING	1
19	8490610	01	(100000-) BATTERY BLOCK BUTTON	1
20	1312310GL	01	(100000-) SELF-TAPPING,COUNTERSUNK SCREW,ST2.9X10	3
21	7200282	00	(100000-) BUSHING	1
22	8490523	01	(100000-) 90 DEGREE ELBOW	1
23	8490710	01	(100000-) VACUUM ASSEMBLY	1

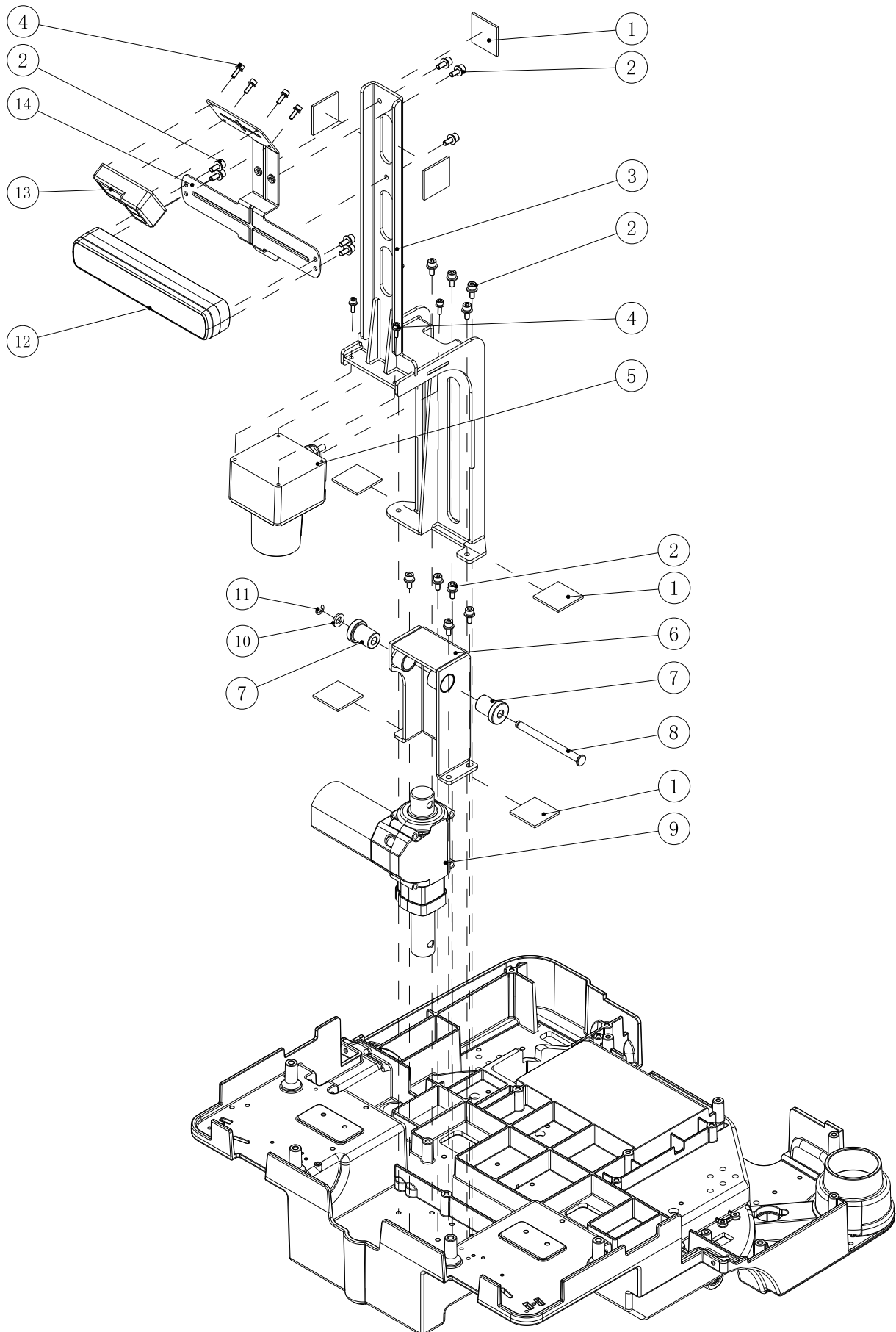
TRACTION WHEEL GROUP



TRACTION WHEEL GROUP

DIA No.	PART NUMBER	VER	SERIAL NUMBER	DESCRIPTION	QTY.
1	1510310GL	01	(100000-) SOCKET HEAD CAP SCREW, M3X10	4
2	8480022	01	(100000-) MICRO SWITCH MOUNTING PLATE	2
3	8114712	00	(100000-) MICRO SWITCH	2
4	1510316GL	01	(100000-) SOCKET HEAD CAP SCREW, M3X16	4
5	8460037	02	(100000-) BALL BEARING, 619/6-2RS	4
6	8490207	01	(100000-) SHAFT SLEEVE	2
7	1437015	01	(100000-) RESILIENT RING FOR HOLES	2
8	8490211	03	(101275-) SPRING	2
9	1510410GL	01	(100000-) SOCKET HEAD CAP SCREW, M4X10	10
10	8490210	01	(100000-) DRIVE WHEEL ASSEMBLY(ANTI-SLIP)(OPTIONAL)	2
	8491210	01	(101275-) DRIVE WHEEL ASSEMBLY(STANDARD)	2
11	8490208	01	(100000-) CAP, WHEEL	2
12	1436012	01	(100000-) EXTERNAL RETAINING RING	2
13	8492205	01	(101275-) TRACTION WHEEL	2
14	1439004GL	01	(100000-) SPLIT WASHER	2
15	1421612GL	01	(100000-) FLAT WASHER	2
16	8490201	02	(100000-) LEFT BRACKET, TRACTION MOTOR	1
17	8490206	01	(100000-) GASKET	2
18	8510205	02	(100000-) PIN	2
19	8490209	05	(100000-) TRACTION MOTOR	2
20	8490202	02	(100000-) RIGHT BRACKET, TRACTION MOTOR	1

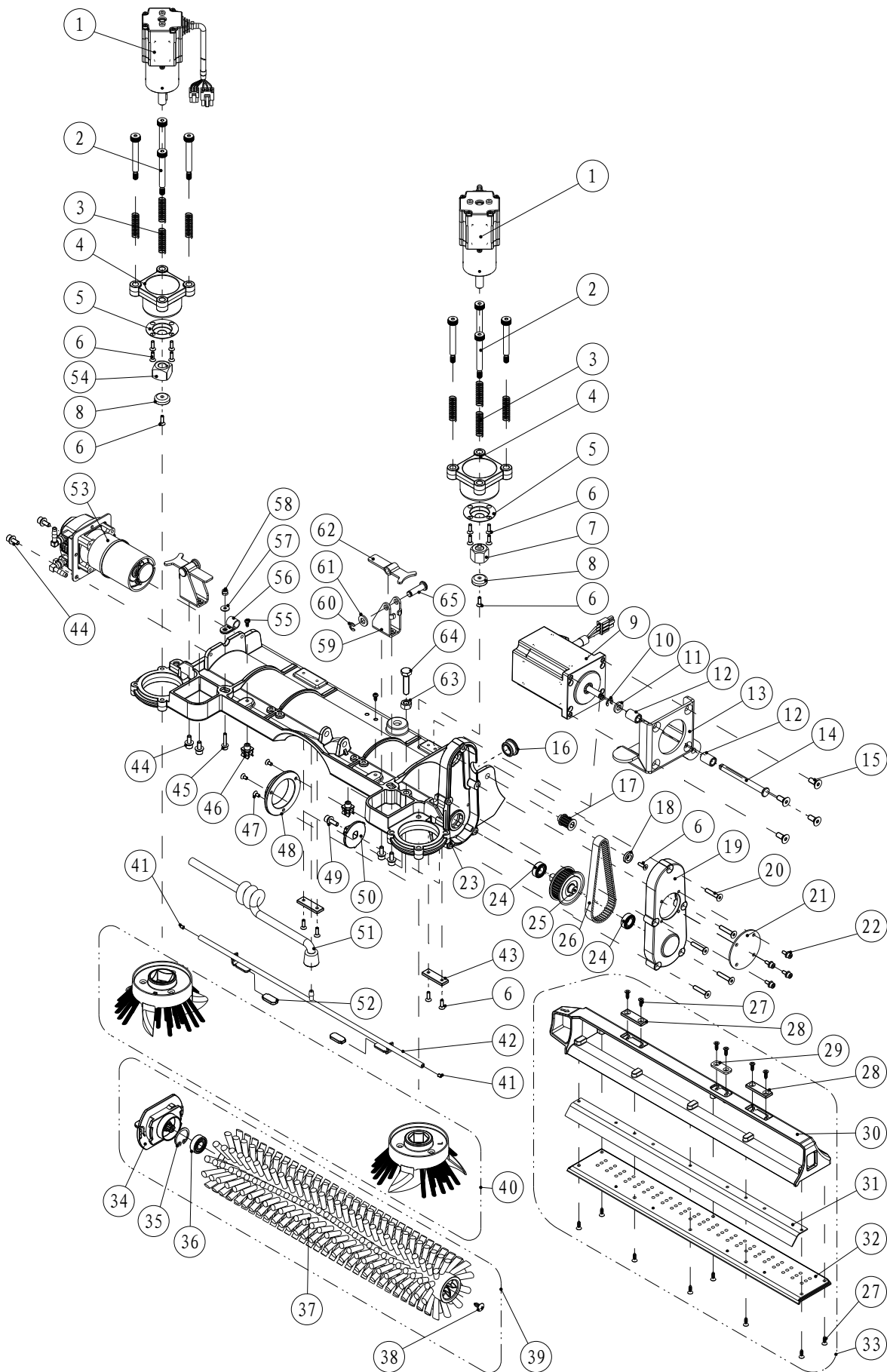
SENSOR & LINEAR ACTUATOR GROUP



SENSOR & LINEAR ACTUATOR GROUP

DIA No.	PART NUMBER	VER	SERIAL NUMBER	DESCRIPTION	QTY.
1	8490726	01	(100000-) VIBRATION PATCH	7
2	1510410GL	01	(100000-) SOCKET HEAD CAP SCREW, M4X10	17
3	8490104	02	(100000-) ACTUATOR BRACKET	1
4	1510310GL	01	(100000-) SOCKET HEAD CAP SCREW, M3X10	8
5	8470010	01	(100000-) LIDAR	1
6	8490339	01	(100000-) LINEAR ACTUATOR MOUNTING FRAME	1
7	8490379	01	(100000-) ISOLATOR GROMMET	2
8	8490372	01	(100000-) PIN	1
9	8490006	05	(100701-) LINEAR ACTUATOR	1
10	1421612GL	01	(100000-) FLAT WASHER	1
11	1439004GL	01	(100000-) SPLIT WASHER	1
12	8470007	02	(100000-) BINOCULAR CAMERA MODULE	1
13	8470009	02	(100000-) 3D TOF	1
14	8490106	02	(100000-) SENSOR MODULE MOUNTING BRACKET	1

BRUSH DECK GROUP



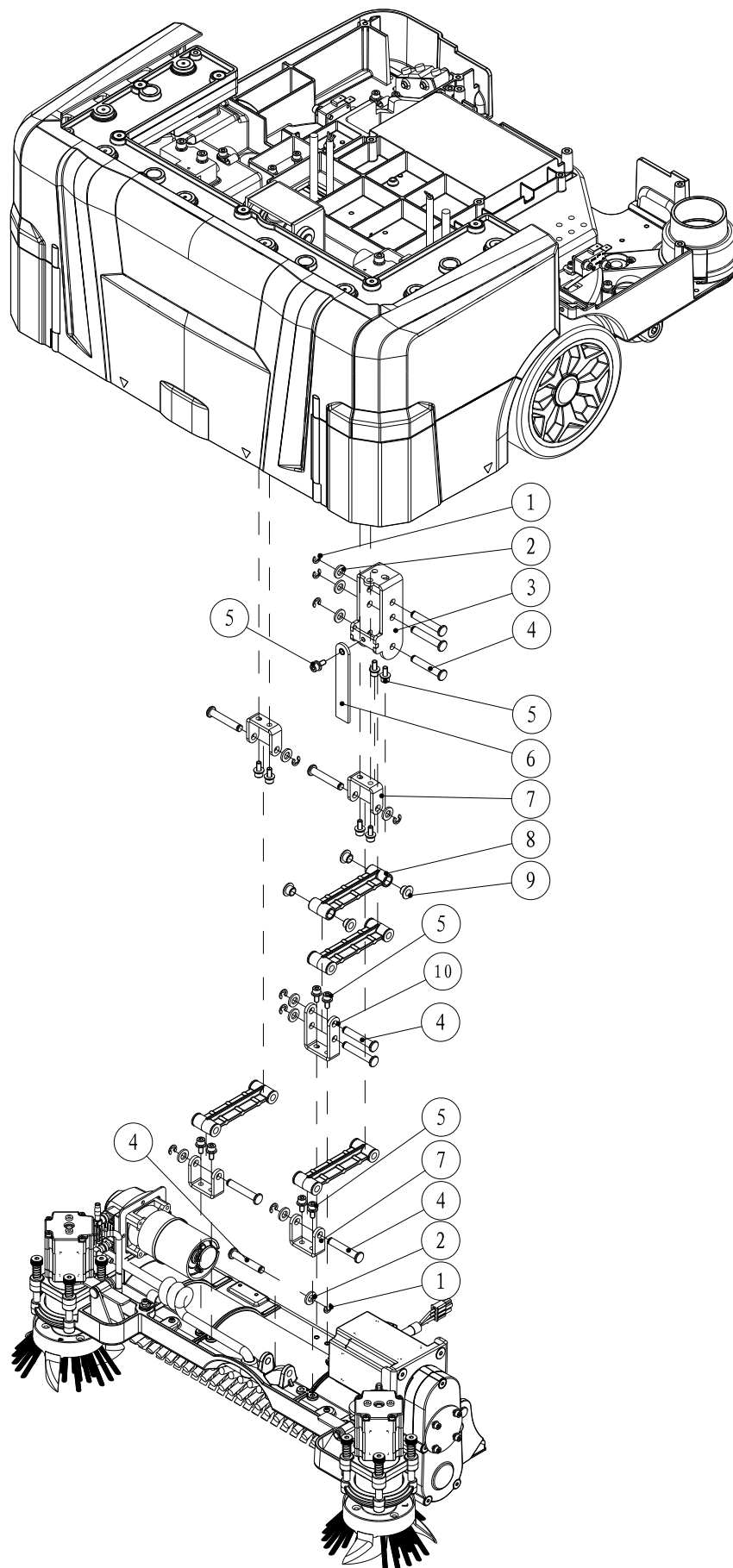
BRUSH DECK GROUP

DIA No.	PART NUMBER	VER	SERIAL NUMBER	DESCRIPTION	QTY.
1	8490301	08	(101275-) SIDE BRUSH MOTOR	2
2	8490358	02	(100000-) SCREW ROD	8
3	8490327	02	(100000-) SPRING	8
4	8490324	02	(100340-) SIDE BRUSH MOUNTING BRACKET	2
5	8491397	01	(101274-) WATERPROOF COVER	2
6	1513310GL	01	(100000-) SOCKET HEAD,COUNTERSUNK CAP SCREW,M3X10	15
7	8490053	01	(100000-) DRIVER, LEFT SIDE BRUSH	1
8	8490054	02	(100333-) MAGNET	2
9	7220076	04	(100000-) MAIN BRUSH MOTOR	1
10	1439004GL	01	(100000-) SPLIT WASHER	1
11	1421612GL	01	(100000-) FLAT WASHER	1
12	8490312	01	(100000-) SPACER BUSHING	2
13	8490310	01	(100000-) MAIN BRUSH MOTOR MOUNTING BRACKET	1
14	8490313	01	(100000-) PIN	1
15	1513512	01	(100000-) SOCKET HEAD,COUNTERSUNK CAP SCREW,M5X12	4
16	8490375	01	(100000-) RUBBER CAP	1
17	8490308	01	(100000-) DRIVING PULLEY	1
18	8490356	01	(100000-) MAT BLOCK	1
19	8490311	03	(100000-) GEAR COVER	1
20	1513420	01	(100000-) SOCKET HEAD,COUNTERSUNK CAP SCREW,M4X20	5
21	8490390	02	(100000-) SYNCHRONOUS BELT WHEEL COVER	1
22	1510306GL	01	(100000-) SOCKET HEAD CAP SCREW, M3X6	4
23	8491302	01	(101275-) BRUSH HOUSING CHASSIS	1
24	1612618	02	(100000-) DOUBLE-SIDED SEALED BALL BEARING	2
25	8490309	03	(100000-) DRIVEN PULLEY	1
26	8490307	02	(100000-) BELT	1
27	1312310GL	01	(100000-) SELF-TAPPING SCREW, ST2.9X9.5	14
28	8490398	02	(100267-) HOPPER MAGNET	2
29	8490377	01	(100000-) INDUCTION METAL	1
30	8490381	02	(101241-) HOPPER HOUSING	1
31	8490383	03	(101137-) RUBBER BLADE	1
32	8490382	02	(101137-) HOPPER COVER	1
33	8490380	01	(100000-) DEBRIS HOPPER	1
34	8490314	02	(101211-) MAIN BRUSH LOCKING HANDLE	1
35	1437019	01	(100000-) SNAP RING	1
36	1612619	02	(100000-) DOUBLE-SIDED SEALED BALL BEARING	1
37	8490370	02	(101211-) ROLLER BRUSH(0.4 PA BRISTLE,BLACK)(STANDARD)	1
	8491314	01	(101211-) ROLLER BRUSH(0.2 PA BRISTLE,WHITE)(OPTIONAL)	1
	8491317	01	(101211-) ROLLER BRUSH(500 GRIT BRISTLE,RED)(OPTIONAL)	1
38	1321210	01	(100000-) SELF-TAPPING SCREW, ST3.9X10	1

BRUSH DECK GROUP

DIA No.	PART NUMBER	VER	SERIAL NUMBER	DESCRIPTION	QTY.
39	8490316	03	(100000-	MAIN BRUSH(0.4 PA BRISTLE,BLACK)(STANDARD)	1
	8491313	03	(100000-	MAIN BRUSH(0.2 PA BRISTLE,WHITE)(OPTIONAL)	1
	8491315	03	(100000-	MAIN BRUSH(500 GRIT BRISTLE,RED)(OPTIONAL)	1
40	8490080	02	(100702-	BRUSH ASSEMBLY	1
41	1534304GL	00	(101275-	SET SCREW, M3X4	2
42	8491343	01	(101275-	SPRAY BAR	1
43	8490392	01	(100000-	HOPPER MAGNET	2
44	1510410GL	01	(100000-	SOCKET HEAD CAP SCREW, M4X10	2
45	1510316GL	01	(101275-	SOCKET HEAD CAP SCREW, M3X16	1
46	8490357	02	(101211-	CLIP	2
47	1513306GL	00	(101275-	SOCKET HEAD,COUNTERSUNK CAP SCREW,M3X6	3
48	8490396	01	(101275-	RING	1
49	1510412GL	01	(100000-	SOCKET HEAD CAP SCREW, M4X12	1
50	8490394	01	(101137-	ROLLER BRUSH MOUNTING BASE	1
51	8491361	01	(101275-	TUBE	1
52	8491351	01	(101275-	HEAT SHRINK TUBING,BLUE	0.05m
53	8490364	02	(100000-	PERISTALTIC PUMP	1
54	8490056	01	(100000-	DRIVER, RIGHT SIDE BRUSH	1
55	1321006GL	01	(100000-	SELF-TAPPING SCREW, ST3X6	2
56	1885119	02	(101275-	5/16" WIRE CLAMP	1
57	1411309	01	(101275-	FLAT WASHER	1
58	1123305GL	01	(101275-	NUT, LOCK, M3	1
59	8491322	02	(101275-	BRACKET	2
60	1439004GL	01	(100000-	SPLIT WASHER	2
61	1421612GL	01	(100000-	FLAT WASHER	2
62	8491321	01	(101275-	LEVER	2
63	1121605	01	(100000-	HEX NUT, M6	1
64	1021625	01	(100000-	HEX HEAD BOLT, M6X30	1
65	8491323	01	(101275-	PIN	2

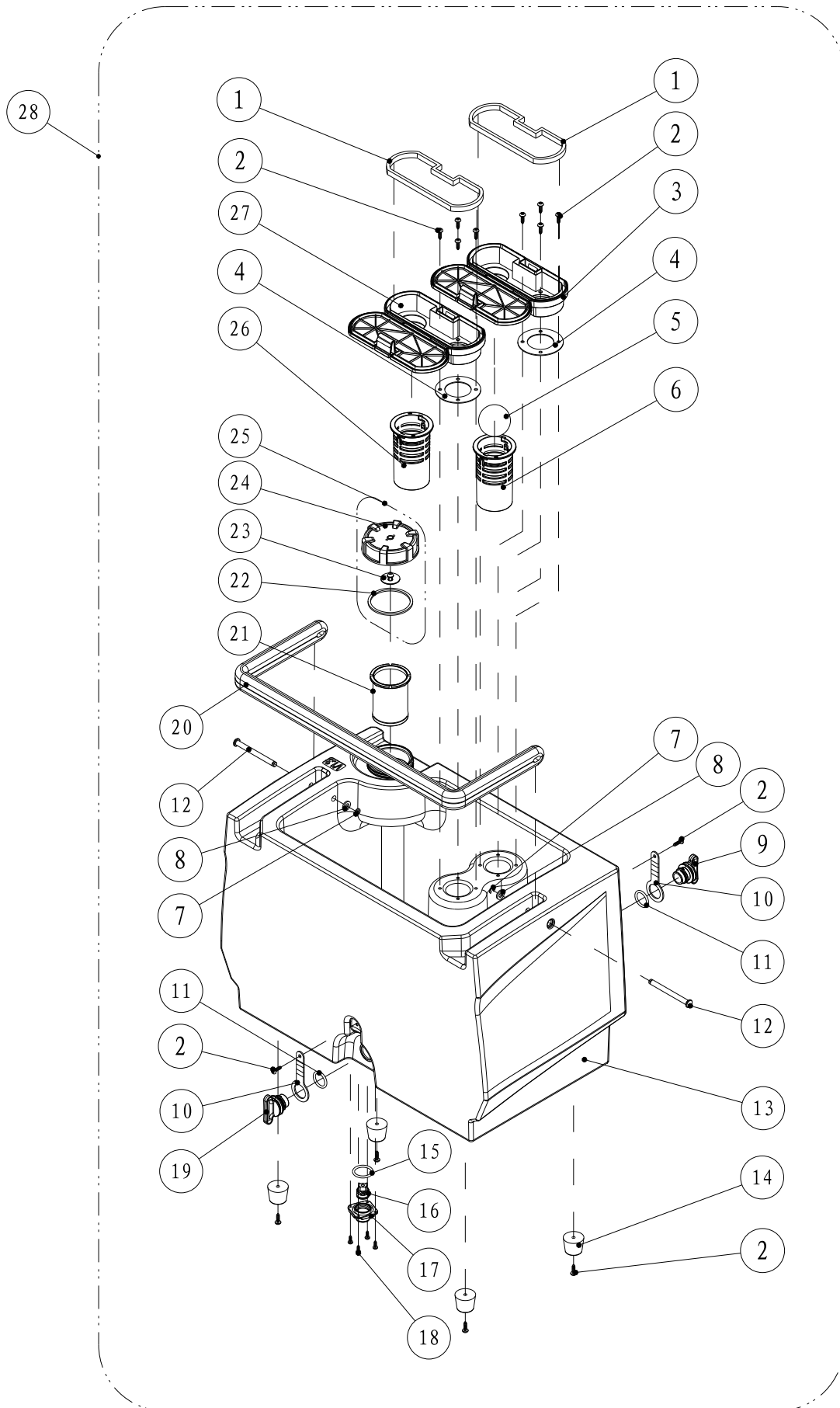
SCRUB HEAD LIFT GROUP



SCRUB HEAD LIFT GROUP

DIA No.	PART NUMBER	VER	SERIAL NUMBER	DESCRIPTION	QTY.
1	1439004GL	01	(100000-)	SPLIT WASHER	10
2	1421612GL	01	(100000-)	FLAT WASHER	10
3	8490322	03	(100000-)	FOUNDATION SUPPORT	1
4	8490332	01	(100000-)	PIN	10
5	1510410GL	01	(100000-)	SOCKET HEAD CAP SCREW, M4X10	12
6	8490551	01	(100000-)	GROUNDING STRAP	1
7	8490321	01	(100000-)	MOUNTING BASE	4
8	8490318	01	(100000-)	CONNECTING ROD	4
9	8490326	02	(100000-)	BUSHING	16
10	8490389	01	(100000-)	BRACKET	1

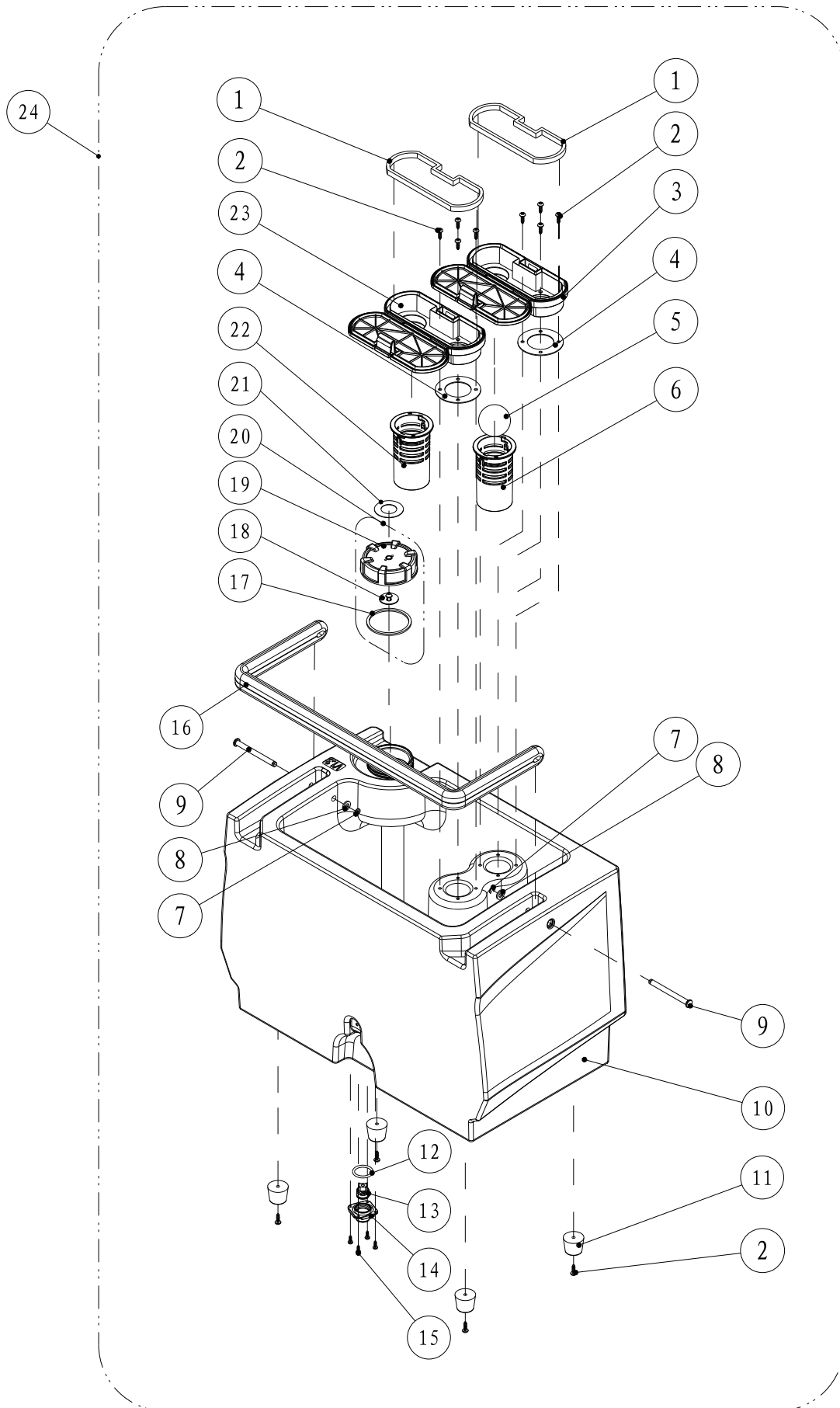
TANK GROUP(CH,HK,EU)



TANK GROUP(CH,HK,EU)

DIA No.	PART NUMBER	VER	SERIAL NUMBER	DESCRIPTION	QTY.
1	8490425	01	(100250-) SEALING	2
2	1311412	01	(100000-) SELF-TAPPING SCREW, ST4X12	14
3	8490412	03	(100898-) BRACKET, FLOAT	2
4	8490426	01	(100000-) GASKET	2
5	8490421	01	(100000-) FLOATING BALL	1
6	8490465	01	(100000-) SCREEN, FLOAT	2
7	1439004GL	01	(100000-) SPLIT WASHER	2
8	1421612GL	01	(100000-) FLAT WASHER	2
9	8490489	02	(100000-) DRAIN PLUG (SOLUTION TANK)	1
10	8490486	01	(100000-) STRAP	2
11	8490491	02	(100340-) O-RING	2
12	8490313	01	(100000-) PIN	2
13	8491432	02	(101275-) TANK	1
14	8490408	01	(100000-) RUBBER STAND	4
15	5910112	01	(100000-) O-RING	1
16	5910126	02	(100000-) CHECK VALVE	1
17	5910105	02	(101275-) ONE WAY VALVE SEAT	1
18	1311310GL	01	(101137-) SELF-TAPPING SCREW, ST3.0X10	4
19	8490483	02	(100000-) DRAIN PLUG (RECOVERY TANK)	1
20	8490420	03	(101275-) TANK HANDLE	1
21	5910245	01	(100333-) FILTER SCREEN	1
22	5910211	01	(100000-) SEALING WASHER	1
23	5910210	01	(100000-) SEAL RING	1
24	5910209	01	(100000-) SOLUTION TANK CAP	1
25	5910250	01	(100000-) SOLUTION TANK CAP - ASSEMBLY	1
26	8490411	01	(100000-) SCREEN, FLOAT	1
27	8490466	02	(100898-) BRACKET, FLOAT	1
28	8490410	02	(101275-) SOLUTION/RECOVERY TANK ASSEMBLY	1

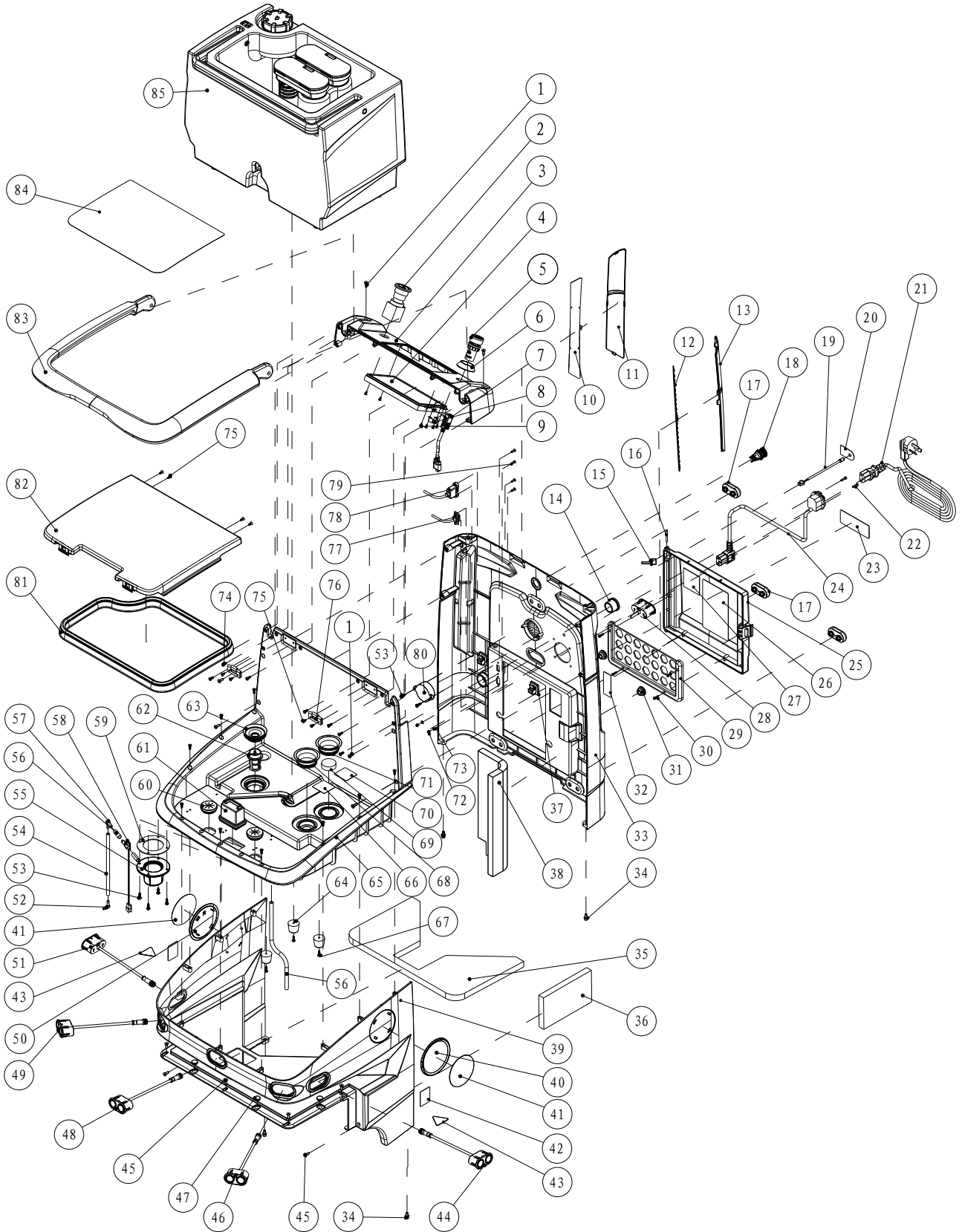
TANK GROUP(US)



TANK GROUP(US)

DIA No.	PART NUMBER	VER	SERIAL NUMBER	DESCRIPTION	QTY.
1	8490425	01	(100250-) SEALING	2
2	1311412	01	(100000-) SELF-TAPPING SCREW, ST4X12	12
3	8490412	03	(100898-) BRACKET, FLOAT	2
4	8490426	01	(100000-) GASKET	2
5	8490421	01	(100000-) FLOATING BALL	1
6	8490465	01	(100000-) SCREEN, FLOAT	2
7	1439004GL	01	(100000-) SPLIT WASHER	2
8	1421612GL	01	(100000-) FLAT WASHER	2
9	8490313	01	(100000-) PIN	2
10	8491433	02	(101275-) TANK	1
11	8490408	01	(100000-) RUBBER STAND	4
12	5910112	01	(100000-) O-RING	1
13	5910126	02	(100000-) CHECK VALVE	1
14	5910105	02	(101275-) ONE WAY VALVE SEAT	1
15	1311310GL	01	(101137-) SELF-TAPPING SCREW, ST3.0X10	4
16	8490420	03	(100271-) TANK HANDLE	1
17	5910211	01	(100000-) SEALING WASHER	1
18	5910210	01	(100000-) SEAL RING	1
19	5910209	01	(100000-) SOLUTION TANK CAP	1
20	5910250	01	(100000-) SOLUTION TANK CAP - ASSEMBLY	1
21	8490847	01	(101275-) TANK CAP DECAL	1
22	8490411	01	(100000-) SCREEN, FLOAT	1
23	8490466	02	(100898-) BRACKET, FLOAT	1
24	8491430	02	(101275-) SOLUTION/RECOVERY TANK ASSEMBLY	1

UPPER HOUSING GROUP(CH,HK,EU)



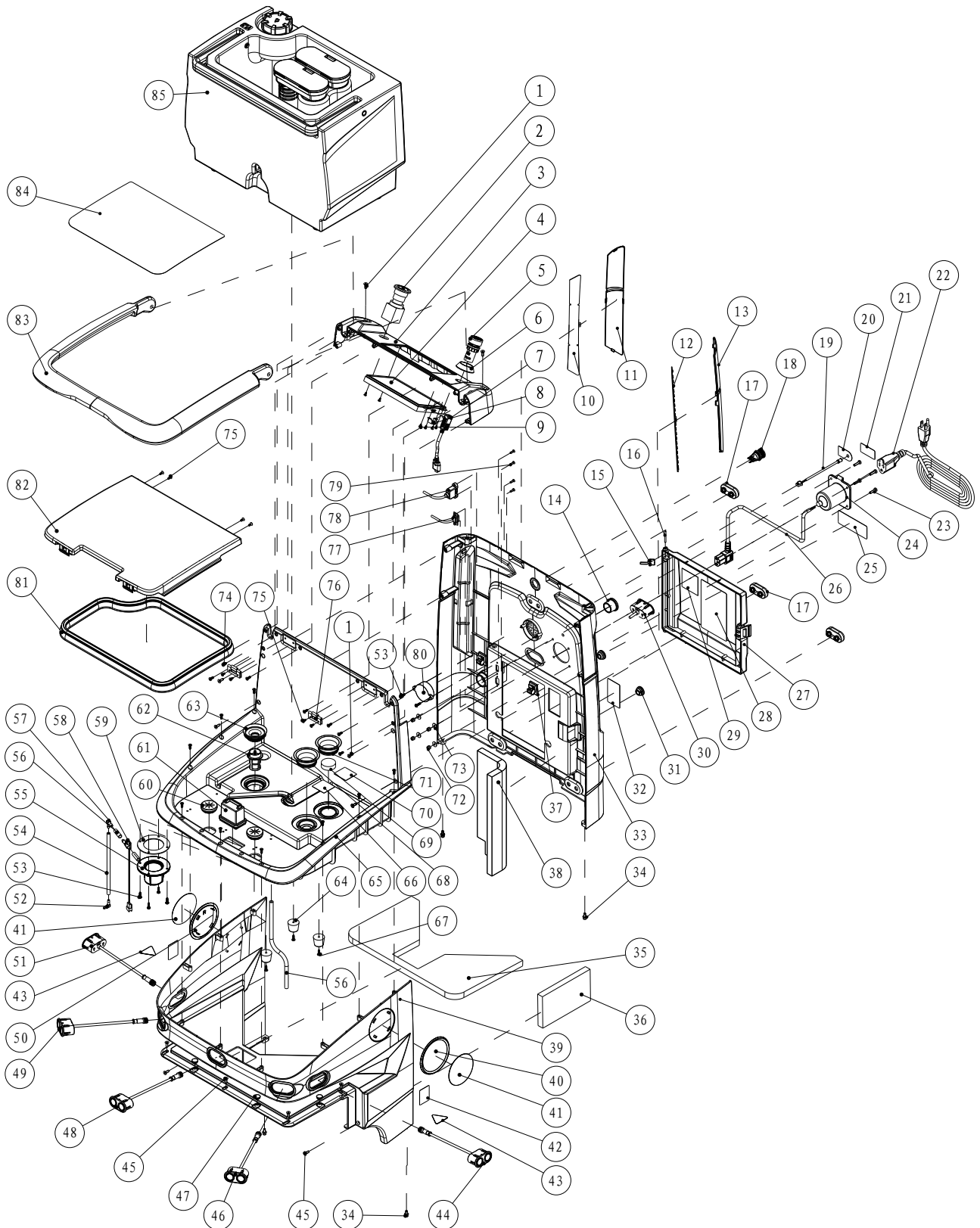
UPPER HOUSING GROUP(CH,HK,EU)

DIA No.	PART NUMBER	VER	SERIAL NUMBER	DESCRIPTION	QTY.
1	1513412GL	01	(100436-)	SOCKET HEAD,COUNTERSUNK CAP SCREW,M4X12	6
2	8310707	02	(101275-)	E-STOP BUTTON	1
3	8490449	03	(101275-)	CONTROL PANEL COVER	1
4	8460040	02	(100000-)	TOUCH SCREEN	1
5	7200204	02	(100000-)	START/PAUSE BUTTON	1
6	8490497	01	(100000-)	BUTTON COVER	1
7	8460871	01	(100000-)	DATA CABLE	1
8	7240359	01	(100000-)	HOLDER	1
9	1321006GL	01	(100000-)	SELF-TAPPING SCREW, ST3X6	6
10	8490474	03	(100000-)	LED LIGHT BOARD, RIGHT BACK	1
11	8490476	01	(100000-)	LENS, BACK COVER, RIGHT SIDE	1
12	8490475	03	(100000-)	LED LIGHT BOARD, LEFT BACK	1
13	8490473	01	(100000-)	LENS, BACK COVER, LEFT SIDE	1
14	8490487	01	(100000-)	CHARGING INDICATOR LAMP LENS	1
15	8490378	01	(100000-)	TORSION SPRING	1
16	1643330	01	(100000-)	PIN	1
17	8490488	02	(100000-)	RUBBER GASKET	3
18	8460877	03	(100000-)	BUTTON SWITCH	1
19	8490814	01	(101275-)	CHARGING LED	1
20	8490752	01	(101275-)	CHARG INDICATOR DECAL	1
21	8112040	03	(101275-)	POWER CORD(EU)	1
	8112060	03	(101275-)	POWER CORD(CH)	
	8112070	02	(101275-)	POWER CORD(UK)	
22	1222315	01	(101275-)	CROSS-RECESS COUNTERSUNK CAP SCREW,M3X15	2
23	8490877	01	(101275-)	CHARGE WARNING LABEL	1
24	8491403	01	(101275-)	POWER SUPPLY RECEPTACLE PLUG ASSEMBLY	1
25	8490477	05	(101275-)	BATTERY DOOR	1
26	8490934	04	(100000-)	MACHINE LABEL(EU)	1
	8490932	03	(100000-)	MACHINE LABEL(HK)	
	8490919	03	(100000-)	MACHINE LABEL(CH)	
27	8490854	02	(100000-)	QR CODE LABEL(EU)	1
	8490852	01	(100000-)	QR CODE LABEL(HK)	
	8490856	01	(100000-)	QR CODE LABEL(CH)	
28	8470029	02	(100000-)	ULTRA-SONIC SENSOR 006	1
29	8490479	02	(100000-)	STORAGE NET	1
30	1311312GL	01	(100000-)	SELF-TAPPING SCREW, ST3X12	4
31	8490635	01	(100000-)	GROMMET	2
32	8491355	01	(101275-)	FUSE DECAL	1
33	8491405	02	(101275-)	REAR COWL	1
34	1510410GL	01	(100000-)	SOCKET HEAD CAP SCREW, M4X10	4
35	8490725	01	(100000-)	SOUND-ABSORBING COTTON	1
36	8490723	01	(100000-)	SOUND-ABSORBING COTTON	1
37	1883093	01	(101275-)	FIXED BUCKLE	2
38	8490722	01	(100000-)	SOUND-ABSORBING COTTON	1
39	8490437	03	(101275-)	HOUSING, FRONT MIDDLE	1
40	8490499	02	(100000-)	CHROME LOGO HOUSING, LEFT	1

UPPER HOUSING GROUP(CH,HK,EU)

DIA No.	PART NUMBER	VER	SERIAL NUMBER	DESCRIPTION	QTY.
41	8490991	01	(100000-)	ICE COBOTICS LOGO	2
42	8490871	01	(101275-)	LIFT HERE LABEL	2
43	8490975	01	(100000-)	HANDING LABEL	2
44	8470024	02	(100000-)	ULTRA-SONIC SENSOR 001	1
45	1513412GL	01	(100000-)	SOCKET HEAD,COUNTERSUNK CAP SCREW,M4X12	7
46	8470025	02	(100000-)	ULTRA-SONIC SENSOR 002	1
47	8490403	01	(100000-)	BLOCK	4
48	8470026	03	(100000-)	ULTRA-SONIC SENSOR 003	1
49	8470027	02	(100000-)	ULTRA-SONIC SENSOR 004	1
50	8490498	02	(100000-)	CHROME LOGO HOUSING, RIGHT	1
51	8470028	02	(100000-)	ULTRA-SONIC SENSOR 005	1
52	8310467	02	(100000-)	FITTING	1
53	1321412	02	(100000-)	SELF-TAPPING SCREW, ST3.5X12	6
54	1869105	01	(100000-)	SILICON TUBE	0.3m
55	8490492	02	(101211-)	MESH SEAT	1
56	1869206	01	(100000-)	PU TUBE	0.5m
57	8480404	01	(100000-)	RIGHT ANGLE CONNECTOR HEAD	1
58	8490728	02	(101211-)	CLEAN WATER LEVEL SENSOR	1
59	8490495	02	(101211-)	SEALING GASKET	1
60	8490626	01	(100000-)	GROMMET	2
61	8490627	01	(100000-)	RUBBER SHEATH FOR RADAR BRACKET	1
62	8491494	01	(101275-)	100 MESH FILTER	1
63	8490493	04	(101211-)	RUBBER SLEEVE	1
64	8490408	01	(100000-)	RUBBER STAND	3
65	8490401	04	(101275-)	TANK BASE	1
66	8490971	01	(100000-)	RISE BY WATER LABEL	1
67	1311412	01	(100000-)	SELF-TAPPING SCREW, ST4X12	3
68	8490529	01	(101137-)	RUBBER ADAPTER	1
69	8490496	02	(100000-)	COTTON FILTER	1
70	8490978	01	(100000-)	NO WASHING LABEL	1
71	8490524	01	(101137-)	RUBBER ADAPTER	1
72	1123305GL	01	(101275-)	LOCK NUT, M3	2
73	1421307GL	00	(101275-)	FLAT WASHER	2
74	1322413	01	(101275-)	SELF-TAPPING SCREW, ST4X13	17
75	1312309	01	(100000-)	SELF-TAPPING COUNTERSUNK SCREW,ST3.5X10	8
76	8490484	02	(101275-)	HINGE	2
77	8460885	01	(100436-)	PATCH CORD	1
78	8491887	01	(101275-)	USB CABLE	1
79	1513310GL	01	(100436-)	SOCKET HEAD,COUNTERSUNK CAP SCREW,M3X10	4
80	7200857	03	(101022-)	BEEPER	1
81	8131005-2	01	(100000-)	GASKET	1.5m
82	8490404	06	(101275-)	LID, RECOVERY TANK	1
83	8490402	03	(101167-)	HANDLE	1
84	8490864	01	(100000-)	PERFORM DAILY MAINTENANCE LABEL	1
85	8490410	02	(101275-)	SOLUTION/RECOVERY TANK ASSEMBLY	1

UPPER HOUSING GROUP(US)



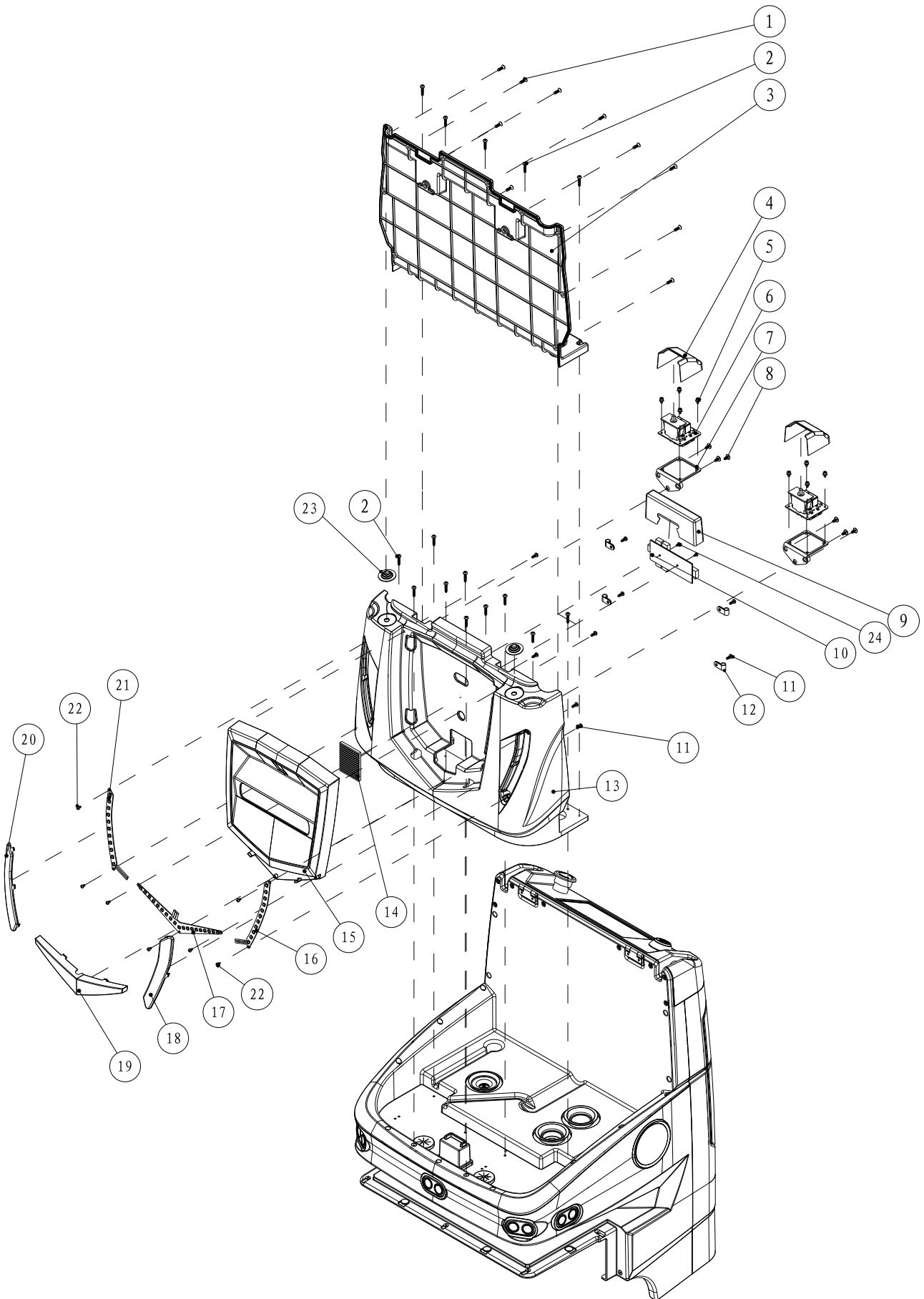
UPPER HOUSING GROUP(US)

DIA No.	PART NUMBER	VER	SERIAL NUMBER	DESCRIPTION	QTY.
1	1513412GL	01	(100436-) SOCKET HEAD,COUNTERSUNK CAP SCREW,M4X12	6
2	8310707	02	(101275-) E-STOP BUTTON	1
3	8490449	03	(101275-) CONTROL PANEL COVER	1
4	8460040	02	(100000-) TOUCH SCREEN	1
5	7200204	02	(100000-) START/PAUSE BUTTON	1
6	8490497	01	(100000-) BUTTON COVER	1
7	8460871	01	(100000-) DATA CABLE	1
8	7240359	01	(100000-) HOLDER	1
9	1321006GL	01	(100000-) SELF-TAPPING SCREW, ST3X6	6
10	8490474	03	(100000-) LED LIGHT BOARD, RIGHT BACK	1
11	8490476	01	(100000-) LENS, BACK COVER, RIGHT SIDE	1
12	8490475	03	(100000-) LED LIGHT BOARD, LEFT BACK	1
13	8490473	01	(100000-) LENS, BACK COVER, LEFT SIDE	1
14	8490487	01	(100000-) CHARGING INDICATOR LAMP LENS	1
15	8490378	01	(100000-) TORSION SPRING	1
16	1643330	01	(100000-) PIN	1
17	8490488	02	(100000-) RUBBER GASKET	3
18	8460877	03	(100000-) BUTTON SWITCH	1
19	8490814	01	(101275-) CHARGING LED	1
20	8490752	01	(101275-) CHARG INDICATOR DECAL	1
21	8490839	01	(101275-) TRADEMARK	1
22	8490812	01	(101275-) POWER CORD(US)	1
23	1221416	01	(101275-) CROSS-RECESS SCREW,M4X16	4
24	8491350	01	(101275-) POWER SUPPLY RECEPTACLE PLUG	1
25	8490877	01	(101275-) CHARGE WARNING LABEL	1
26	8490813	01	(101275-) POWER ADAPTER CORD	1
27	8490477	05	(101275-) BATTERY DOOR	1
28	8490930	03	(100000-) MACHINE LABEL(US)	1
29	8490843	01	(101275-) SERIAL NUMBER DECAL	1
30	8470029	02	(100000-) ULTRA-SONIC SENSOR 006	1
31	8490635	01	(100000-) GROMMET	2
32	8491355	01	(101275-) FUSE DECAL	1
33	8491405	02	(101275-) REAR COWL	1
34	1510410GL	01	(100000-) SOCKET HEAD CAP SCREW, M4X10	4
35	8490725	01	(100000-) SOUND-ABSORBING COTTON	1
36	8490723	01	(100000-) SOUND-ABSORBING COTTON	1
37	1883093	01	(101275-) FIXED BUCKLE	2
38	8490722	01	(100000-) SOUND-ABSORBING COTTON	1
39	8490437	03	(101275-) HOUSING, FRONT MIDDLE	1
40	8490499	02	(100000-) CHROME LOGO HOUSING, LEFT	1
41	8490991	01	(100000-) ICE COBOTICS LOGO	2
42	8490871	01	(101275-) LIFT HERE LABEL	2
43	8490975	01	(100000-) HANDING LABEL	2

UPPER HOUSING GROUP(US)

DIA No.	PART NUMBER	VER	SERIAL NUMBER	DESCRIPTION	QTY.
44	8470024	02	(100000-) ULTRA-SONIC SENSOR 001	1
45	1513412GL	01	(100000-) SOCKET HEAD,COUNTERSUNK CAP SCREW,M4X12	7
46	8470025	02	(100000-) ULTRA-SONIC SENSOR 002	1
47	8490403	01	(100000-) BLOCK	4
48	8470026	03	(100000-) ULTRA-SONIC SENSOR 003	1
49	8470027	02	(100000-) ULTRA-SONIC SENSOR 004	1
50	8490498	02	(100000-) CHROME LOGO HOUSING, RIGHT	1
51	8470028	02	(100000-) ULTRA-SONIC SENSOR 005	1
52	8310467	02	(100000-) FITTING	1
53	1321412	02	(100000-) SELF-TAPPING SCREW, ST3.5X12	6
54	1869105	01	(100000-) SILICON TUBE	0.3m
55	8490492	02	(101211-) MESH SEAT	1
56	1869206	01	(100000-) PU TUBE	0.5m
57	8480404	01	(100000-) RIGHT ANGLE CONNECTOR HEAD	1
58	8490728	02	(101211-) CLEAN WATER LEVEL SENSOR	1
59	8490495	02	(101211-) SEALING GASKET	1
60	8490626	01	(100000-) GROMMET	2
61	8490627	01	(100000-) RUBBER SHEATH FOR RADAR BRACKET	1
62	8491494	01	(101275-) 100 MESH FILTER	1
63	8490493	04	(101211-) RUBBER SLEEVE	1
64	8490408	01	(100000-) RUBBER STAND	3
65	8490401	04	(101275-) TANK BASE	1
66	8490971	01	(100000-) RISE BY WATER LABEL	1
67	1311412	01	(100000-) SELF-TAPPING SCREW, ST4X12	3
68	8490529	01	(101137-) RUBBER ADAPTER	1
69	8490496	02	(100000-) COTTON FILTER	1
70	8490978	01	(100000-) NO WASHING LABEL	1
71	8490524	01	(101137-) RUBBER ADAPTER	1
72	1123406	01	(101275-) LOCK NUT, M4	4
73	1421412	01	(101275-) FLAT WASHER	4
74	1322413	01	(101275-) SELF-TAPPING SCREW, ST4X13	17
75	1312309	01	(100000-) SELF-TAPPING COUNTERSUNK SCREW,ST3.5X10	8
76	8490484	02	(101275-) HINGE	2
77	8460885	01	(100436-) PATCH CORD	1
78	8491887	01	(101275-) USB CABLE	1
79	1513310GL	01	(100436-) SOCKET HEAD,COUNTERSUNK CAP SCREW,M3X10	4
80	7200857	03	(101022-) BEEPER	1
81	8131005-2	01	(100000-) GASKET	1.5m
82	8490404	06	(101275-) LID, RECOVERY TANK	1
83	8490402	03	(101167-) HANDLE	1
84	8490849	01	(101275-) PERFORM DAILY MAINTENANCE LABEL	1
85	8491430	02	(101275-) SOLUTION/RECOVERY TANK ASSEMBLY	1

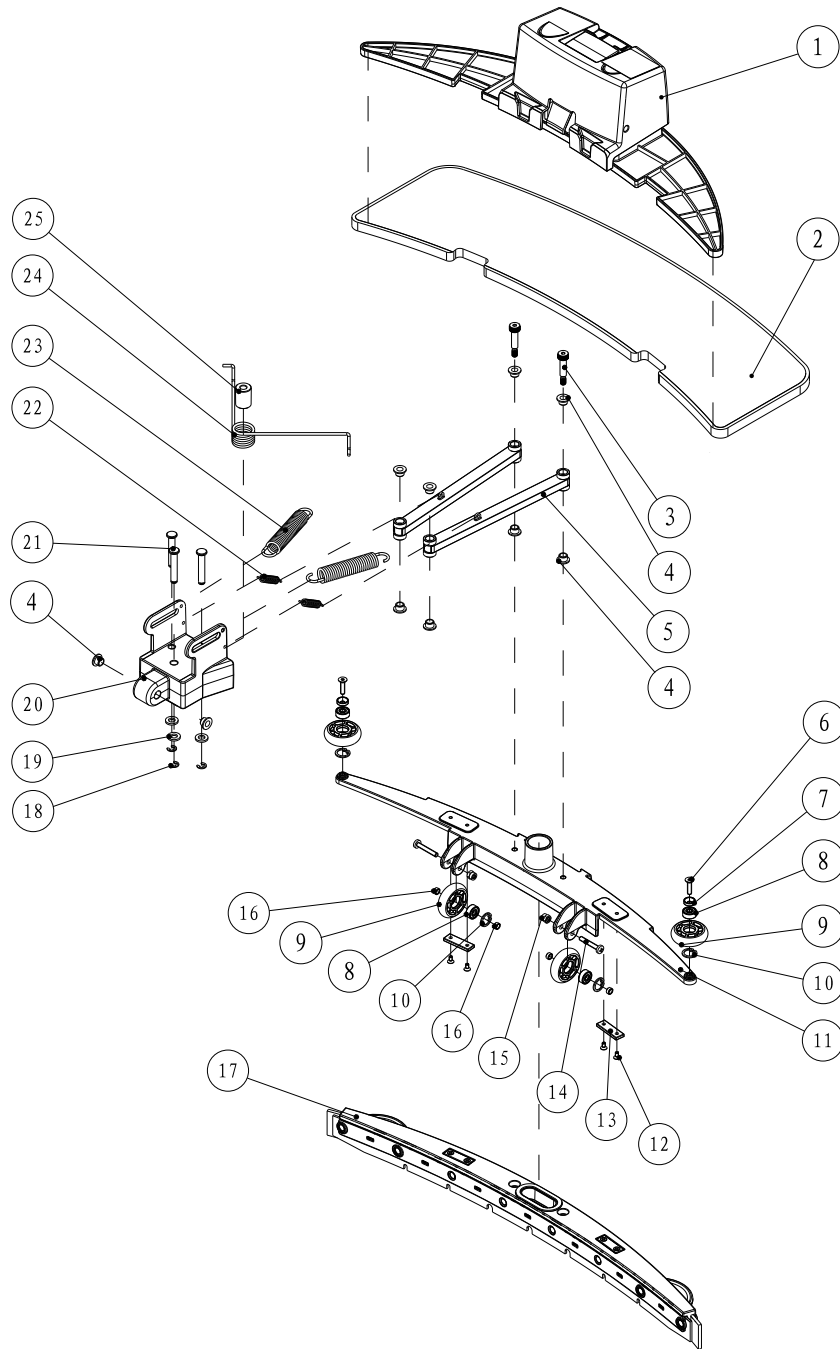
FRONT SHADE GROUP



FRONT SHADE GROUP

DIA No.	PART NUMBER	VER	SERIAL NUMBER	DESCRIPTION	QTY.
1	1322413	01	(101275-	SELF-TAPPING COUNTERSUNK SCREW,ST3.9X13	10
2	1321419	01	(100000-	SELF-TAPPING SCREW, ST3.5X19	15
3	8490438	03	(101275-	BACK COVER, FRONT HOUSING	1
4	8490631	01	(100000-	BRAKE BLOCK WATER COVER	2
5	1510306GL	01	(100000-	SOCKET HEAD CAP SCREW, M3*6	8
6	8470823	02	(100000-	BRAKE PLATE	2
7	8480837	02	(101211-	BRAKE PLATE MOUNTING BRACKET	2
8	1321210	01	(100000-	SELF-TAPPING SCREW, ST3.9X10	6
9	8490632	01	(100000-	LAMP WITH MCU WATER COVER	1
10	8480838	04	(100000-	LIGHT MCU CONTROLLER	1
11	1322310	01	(101275-	SELF-TAPPING SCREW,ST3.5X10	9
12	1885118	02	(100000-	3/8" WIRE CLAMP	4
13	8490407	04	(101275-	FRONT HOUSING	1
14	8490992	01	(100000-	SHOCK PAD	1
15	8490434	04	(101275-	FRONT SHADE COVER	1
16	8490446	04	(100250-	LED LIGHT BOARD, FRONT LEFT	1
17	8490447	03	(100000-	LED LIGHT BOARD. FRONT CENTER	1
18	8490435	01	(100000-	LIGHT LENS, FRONT LEFT	1
19	8490436	01	(100000-	FRONT LIGHT LENS	1
20	8490432	01	(100000-	LIGHT LENS, FRONT RIGHT	1
21	8490445	03	(100000-	LED LIGHT BOARD, FRONT RIGHT	1
22	1321006GL	01	(100000-	SELF-TAPPING SCREW, ST3X6	9
23	8491425	01	(101275-	GASKET	2

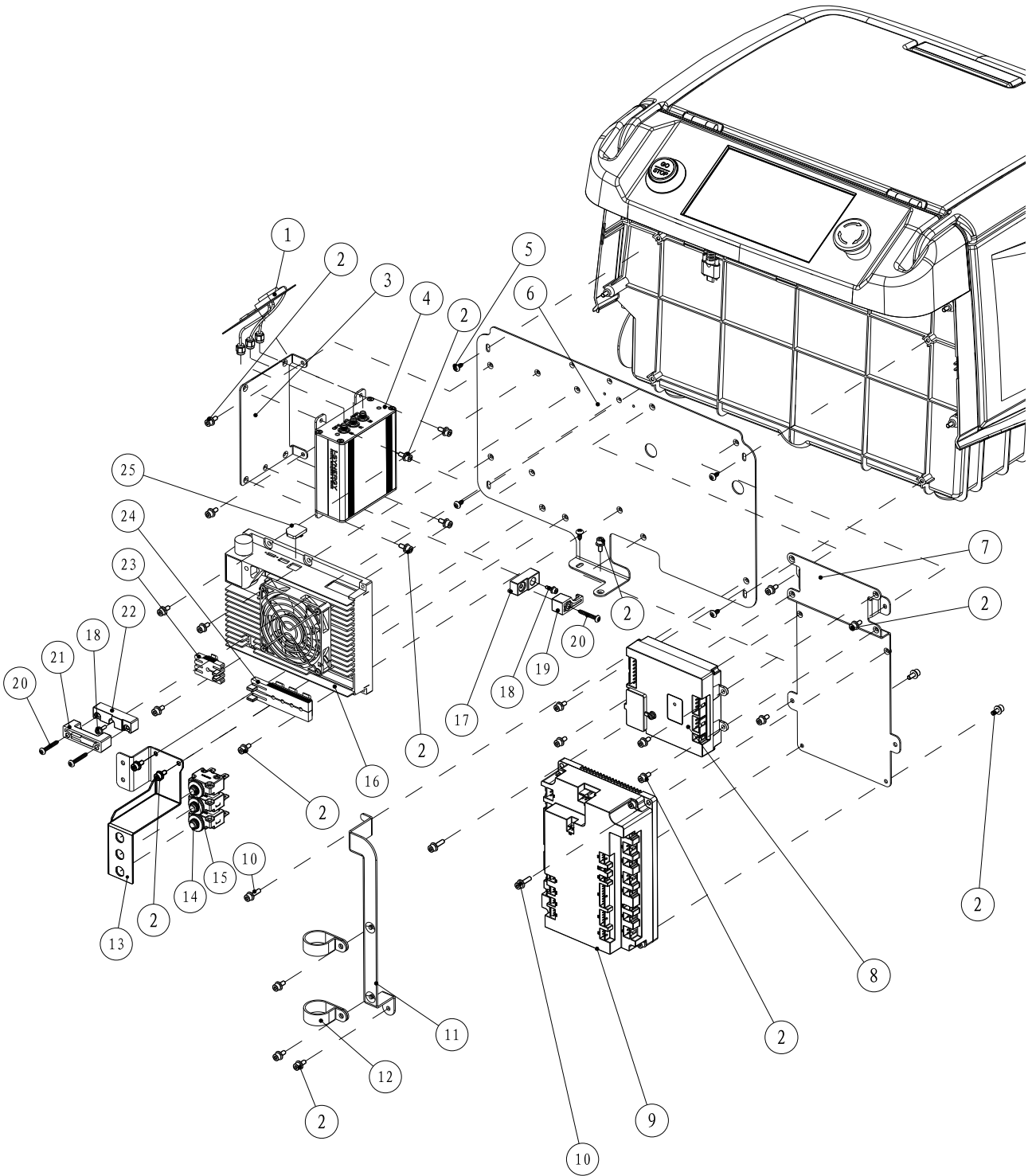
SQUEEGEE GROUP



SQUEEGEE GROUP

DIA No.	PART NUMBER	VER	SERIAL NUMBER	DESCRIPTION	QTY.
1	8490530	01	(000148-) MOP ASSEMBLY	1
2	8491546	01	(101241-) MOP CLOTH(WIDE)(STANDARD)	1
	8490546	01	(100000-) MOP CLOTH(OPTIONAL)	1
3	8490513	02	(100000-) SCREW ROD	2
4	8490326	02	(100000-) BUSHING	10
5	8490564	03	(100000-) SQUEEGEE MOUNT ARM	2
6	1513416GL	01	(100000-) SOCKET HEAD COUNTERSUNK CAP SCREW, M4X16	2
7	8490522	01	(100000-) GUIDE BLOCK	2
8	7220038	02	(100000-) ROLLING BEARING	4
9	8490520	02	(101211-) ROLLER	4
10	1437013	01	(100000-) SNAP RING	4
11	8490501	01	(100000-) SQUEEGEE MOUNT HOUSING	1
12	1513306GL	00	(100000-) SOCKET HEAD COUNTERSUNK CAP SCREW, M3X6	4
13	8490392	01	(100000-) HOPPER MAGNET	2
14	1221425	01	(100000-) SCREW, RHM, M4X25, SST	2
15	1123406	01	(100000-) NUT, LOCK, M4	2
16	8490521	01	(100000-) BUSHING	4
17	8491515	02	(101275-) SQUEEGEE ASSEMBLY(PU,BLUE)(STANDARD)	1
	8491516	02	(101275-) SQUEEGEE ASSEMBLY(LINATEX,RED)(OPTIONAL)	1
18	1439004GL	01	(100000-) SPLIT WASHER	5
19	1421612GL	01	(100000-) FLAT WASHER	3
20	8490505	03	(100000-) SQUEEGEE MOUNT BASE	1
21	8490332	01	(100000-) PIN	3
22	8490565	01	(100000-) EXTENSION SPRING	2
23	8490507	03	(100000-) TENSION SPRING	2
24	8490510	01	(100000-) TORSION SPRING	1
25	8490511	01	(100000-) PLASTIC SLEEVE	1

ELECTRICAL COMPONENTS GROUP



ELECTRICAL COMPONENTS GROUP

DIA No.	PART NUMBER	VER	SERIAL NUMBER	DESCRIPTION	QTY.
1	N170104	01	(100000-) 4G/WiFi/GPS ANTENNA	1
2	1510410GL	01	(100000-) SOCKET HEAD CAP SCREW, M4X10	27
3	8490622	04	(101275-) COMMUNICATION BOARD SUPPORT	1
4	8801626	02	(101275-) 4G MODEM(US)	1
	8801627	01	(100000-) 4G MODEM(HK)	1
	8801628	01	(100000-) 4G MODEM(EU)	1
	8801629	01	(100000-) 4G MODEM(CH)	1
5	1321210	01	(100000-) SELF-TAPPING SCREW, ST3.9X10	5
6	8490606	04	(100000-) MOUNTING PLATE	1
7	8490620	02	(100000-) MCU/VCU MOUNTING BRACKET	1
8	8490602	02	(100000-) VCU ASSEMBLY	1
9	8480830	06	(101275-) MCU ASSY	1
10	1510416GL	01	(100000-) SOCKET HEAD CAP SCREW, M4X16	5
11	8490637	02	(100000-) WIRE CLIP MOUNTING BRACKET	1
12	7240860	02	(100000-) 3/4" WIRE CLAMP	2
13	8490670	01	(101275-) MOUNTING PLATE	1
14	1701400	01	(101275-) OVERLOAD PROTECTOR (7.5A)	2
15	1701401	01	(101275-) OVERLOAD PROTECTOR (30A)	1
16	8470718	02	(100000-) NAVIGATION CONTROL UNIT	1
17	8490642	01	(100250-) LOCK BLOCK, COMMUNICATION BOARD	2
18	1510310GL	01	(100000-) SOCKET HEAD CAP SCREW, M3X10	2
19	8490643	01	(100250-) LOCK BLOCK, COMMUNICATION BOARD	1
20	1321125GL	01	(101137-) SELF-TAPPING SCREW, ST3.5X25	3
21	8490645	01	(100250-) LOCK BLOCK, NCU	1
22	8490644	01	(100250-) LOCK BLOCK, NCU	1
23	8490656	01	(100776-) NAVIGATION LT BLOCK	1
24	8490658	01	(100776-) NAVIGATION RT BLOCK	1
25	8490657	01	(100776-) NAVIGATION UPPER BLOCK	1

WEARING PARTS LIST

DIA No.	PART NUMBER	VER	DESCRIPTION	REPLACEMENT CYCLE	SPARE/ CONSUMABLE
1	8490421	01	FLOATING BALL	3years	Spare
2	8490411	01	SCREEN, FLOAT	3years	Spare
3	8490465	01	SCREEN, FLOAT	3years	Spare
4	8490483	02	DRAIN PLUG (RECOVERY TANK)	3years	Spare
5	8490489	02	DRAIN PLUG (SOLUTION TANK)	3years	Spare
6	8490491	02	O-RING	3years	Spare
7	8490307	02	BELT	1500hrs	Spare
8	5910250	01	SOLUTION TANK CAP (ASSEMBLY)	3years	Spare
9	8460805	07	CHARGER	3years	Spare
10	8490301	08	SIDE BRUSH MOTOR	4000hrs	Spare
11	7220076	04	MAIN BRUSH MOTOR	4000hrs	Spare
12	7220209	02	VACUUM MOTOR, 1-STAGE	4000hrs	Spare
13	8490710	01	VACUUM ASSEMBLY	4000hrs	Spare
14	8490209	05	TRACTION MOTOR	4000hrs	Spare
15	8490009	02	BUMPER ASSEMBLY (INCLUDES THE CLIFF SENSORS)	3years	Spare
16	8310707	02	E-STOP BUTTON	3years	Spare
17	8460877	03	BUTTON SWITCH	3years	Spare
18	7200204	02	START/PAUSE BUTTON	3years	Spare
19	8491343	01	SPRAY BAR ASSY	3years	Spare
20	8490364	02	PERISTALTIC PUMP	1500hrs	Spare
21	8480830	06	MCU ASSY	3years	Spare
22	8490602	02	VCU ASSEMBLY	3years	Spare
23	8801626	02	4G MODEM(US)	3years	Spare
	8801627	01	4G MODEM(HK)	3years	Spare
	8801628	01	4G MODEM(EU)	3years	Spare
	8801629	01	4G MODEM(CH)	3years	Spare
24	N170104	01	4G ANTENNA	3years	Spare
25	8490410	02	SOLUTION/RECOVERY TANK ASSEMBLY	3years	Spare
	8491430	02	SOLUTION/RECOVERY TANK ASSEMBLY	3years	Spare
26	N250038	05	LITHIUM BATTERY(CH)	1500 cycles	Spare
27	N250059	03	LITHIUM BATTERY(HK)	1500 cycles	Spare
28	N250039	05	LITHIUM BATTERY(EU,AIR PARCEL)	1500 cycles	Spare
29	N250057	04	LITHIUM BATTERY(EU,NOT AIR PARCEL)	1500 cycles	Spare
30	N250052	06	LITHIUM BATTERY(US,AIR PARCEL)	1500 cycles	Spare
31	N250056	05	LITHIUM BATTERY (US, NOT AIR PARCEL)	1500 cycles	Spare
32	8491494	01	100 MESH FILTER	1500hrs	Spare
33	5910245	01	FILTER SCREEN	500hrs	Spare
34	8490484	02	HINGE	1500hrs	Spare
35	8460040	02	TOUCH SCREEN	100,000hrs	Spare

WEARING PARTS LIST

DIA No.	PART NUMBER	VER	DESCRIPTION	REPLACEMENT CYCLE	SPARE/ CONSUMABLE
36	8490004	01	EXHAUST WINDOW	3years	Spare
37	8490714	02	FILTER	500hrs	Spare
38	8490404	06	LID, RECOVERY TANK	3years	Spare
39	8131005-2	01	GASKET	500hrs	Spare
40	8490402	03	HANDLE	3years	Spare
41	8490425	01	FILTER COTTON	500hrs	Spare
42	8491508	01	SQUEEGEE VACUUM HOSE	500hrs	Spare
43	8490392	01	HOPPER MAGNET	500hrs	Spare
44	8490054	02	MAGNET	500hrs	Spare
45	8490398	02	HOPPER MAGNET	500hrs	Spare
46	8490520	02	ROLLER	500hrs	Spare
47	8490006	05	LINEAR ACTUATOR	3years	Spare
48	8490201	02	LEFT BRACKET, TRACTION MOTOR	3years	Spare
49	8490202	02	RIGHT BRACKET, TRACTION MOTOR	3years	Spare
50	8490911	02	LOCATION CODE	3years	Spare
51	8490530	01	MOP ASSEMBLY	3years	Spare
52	8490308	01	DRIVING PULLEY	500hrs	Spare
53	8490309	03	DRIVEN PULLEY	500hrs	Spare
54	8490210	01	DRIVE WHEEL ASSEMBLY(ANTI-SLIP)(OPTIONAL)	1500hrs	Consumable
55	8491210	01	DRIVE WHEEL ASSEMBLY(STANDARD)	1500hrs	Consumable
56	8490017	03	FRONT CASTER	1500hrs	Consumable
57	8490016	03	CASTER	1500hrs	Consumable
58	8490080	02	BRUSH ASSEMBLY	300hrs	Consumable
59	8490316	03	MAIN BRUSH(0.4 PA BRISTLE,BLACK)(STANDARD)	300hrs	Consumable
60	8491313	03	MAIN BRUSH(0.2 PA BRISTLE,WHITE)(OPTIONAL)	300hrs	Consumable
61	8491315	03	MAIN BRUSH(500 GRIT BRISTLE,RED)(OPTIONAL)	300hrs	Consumable
62	8491515	02	SQUEEGEE ASSEMBLY(PU,BLUE)(STANDARD)	200hrs	Consumable
63	8491516	02	SQUEEGEE ASSEMBLY(LINATEX,RED)(OPTIONAL)	200hrs	Consumable
64	8490380	01	DEBRIS HOPPER	500hrs	Consumable
65	8490524	01	RUBBER ADAPTER	500hrs	Consumable
66	8490493	04	RUBBER SLEEVE	500hrs	Consumable
67	8491546	01	MOP CLOTH(WIDE)(STANDARD)	1month	Consumable
68	8490546	01	MOP CLOTH(OPTIONAL)	1month	Consumable