
TABLE OF CONTENTS

1、RECOVERY TANK GROUP.....	1
(1) RECOVERY TANK COVER SEAL(8131005) {i20NB 000165~001099、 i20NBT 000187~000776、 i20NBT-OB 000101~000409、 i24BT 000139~000482}.....	2
(2) RECOVERY TANK COVER SEAL(8131005-2){i20NB 001100~ 、 i20NBT 000777~ 、 i20NBT-OB 000410~ 、 i24BT 000483~ }.....	2
(3) CAP(8131003) {i20NB 000165~101687、 i20NBT 000187~102033、 i20NBT-OB 000101~100931、 i24BT 000139~100925}.....	2
(4) CAP(8131004) {i20NB 101688~ 、 i20NBT 102034~ 、 i20NBT-OB 100932~ 、 i24BT 100926~ }.....	2
(5) DRAIN HOSE(8131010){i20NB 000165~101273、 i20NBT 000187~101231、 i20NBT-OB 000101~100609、 i24BT 000139~000611}.....	2
(6) DRAIN HOSE(8210170)No record.....	2
(7) DRAIN HOSE(8131030){i20NB 101274~101658、 i20NBT 101232~101983、 i20NBT-OB 100610~100878、 i24BT 100612~100874}.....	2
(8) DRAIN HOSE(8131031){i20NB 101659~ 、 i20NBT 101984~ 、 i20NBT-OB 100879~ 、 i24BT 100875~ }.....	2
2、VACUUM FAN GROUP.....	4、 6、 8
(1) VACUUM MOTOR, KIT, 24VDC(8116500){i20NB 000165~000490/101604~、 i20NBT 000187-000425/101868~、 i20NBT-OB 000101~000222/100789~、 i24BT 000139-000281/100835~}.....	5、 7、 9
(2) VACUUM MOTOR, KIT, 24VDC(8132050) {i20NB 000528~101254 、 i20NBT 000439~001230、 i20NBT-OB 000229~000608、 i24BT 000282~100612}.....	5、 7、 9
(3) BRACKET(8112003) {i20NB 000165~001070、 i20NBT 000187~000881、 i20NBT-OB 000101~000410、 i24BT 000139~000492}.....	5、 7
3、 SOLUTION TANK GROUP.....	10
(1) CLEAN TUBING(8133008){i20NB 000729~、 i20NBT 000641~、 i20NBT-OB 000294~、 i24BT 000362~}.....	11
4、 CONTROL CONSOLE GROUP(i20NB1.0).....	13
(1) CONTROL CONSOLEHOUSING(8134001){i20NB 000165~000490}.....	14
(2) PCB ASSEMBLY(8114701){i20NB 000165~000247}.....	14

TABLE OF CONTENTS

(3) CONTROL PANEL(8134010){i20NB 000165~000490}.....	14
(4) CONTROL PANEL DECAL, i20NB(8134014){i20NB 000165~000490}.....	14
(5) CIRCUIT BREAKER, 5A(8114703){i20NB 000165~000247}.....	14
(6) CABLE, SQGE LIFT(8134013){i20NB 000165~000490}.....	14
(7) CLAMP, DRAIN HOSE(6210111){i20NB 000165~101503}.....	14
(8) LEVER, BAIL (8134300) { i20NB 000905~ }.....	1 5
(9) REAR PLATE, CONTROL CONSOLE(8134021){i20NB 000165~000490}.....	15
(10) SOLENOID SWITCH(8124704){i20NB 000165~000247}.....	15
(11) RELAY, 40A (8114707) { i20NB 000165~ }.....	1 5
5、 CONTROL CONSOLE GROUP(i20NB1.5).....	16
(1) CONTROL CONSOLE HOUSING(8134001){i20NB 000165~000490}.....	17
(2) PCB ASSEMBLY(8134702){i20NB 000271~000490}.....	17
(3) CONTROL PANEL(8134010){i20NB 000165~000490}.....	17
(4) CONTROL PANEL DECAL, i20NB(8134014){i20NB 000165~000490}.....	17
(5) CIRCUIT BREAKER, 5A (8310740) {i20NB 000905~ }.....	1 7
(6) CABLE, SQGE LIFT(8134013){i20NB 000165~000490}.....	17
(7) CLAMP, DRAIN HOSE(6210111){i20NB 000165~101503}.....	17
(8) LEVER, BAIL (8134300) { i20NB 000905~ }.....	1 8
(9) MAIN CONTROLLER (8134701) {i20NB 000271~000490 }.....	1 8
(10) REAR PLATE, CONTROL CONSOLE(8134021){i20NB 000165~000490}.....	18
6、 CONTROL CONSOLE GROUP(i20NB2.0).....	19
(1) CONTROL PANEL DECAL, i20NB(8134724){i20NB 000694~ }.....	20
(2) CONTROL PANEL, i20NB(8134720) {i20NB 000804~ }.....	2 0
(3) CONTROL PANEL PCB, i20NB (AGM / EN)(8134734){i20NB 000905~ }.....	20
(4) CONTROL HOUSING (8134005A) {i20NB 000905~ }.....	2 0
(5) CIRCUIT BREAKER, 5A(8310740) {i20NB 000905~ }.....	20

TABLE OF CONTENTS

(6) PLATE, ON BOARD BATTERY CHARGER(8134060){i20NB 000905~ }	20
(7) ON-BOARD CHARGER SPE 13-amp 24 volt,KIT(8132010-US){i20NB 000165~000999}	20
(8) ON-BOARD CHARGER Pro CHARGING SYSTEM 13-AMP 24 VOLT (OPTION) (8132010-US) {i20NB 000165~000999 }	20
(9) ON BOARD CHARGER Pro CHARGING SYSTEM 13-AMP 24 VOLT (OPTION)(8132020-US) { 000165~000 99	20
(10) ON-BOARD CHARGER FLEXCHAR, PRESET Trojan CHARGING CUVE(OPTION),KIT(8132015A){No record}	20
(11) BATTERY CHARGER POWER CORD, KIT(8112030A){i20NB 000905~}	20
(12) CAR CHARGER(SPE)(8132010){i20NB 000165~000999}	20
(13) ON-BOARD CHARGER SPE 13-amp 24 volt(8132010A){No record}	20
(14) ON-BOARD CHARGER FLEXCHAR(8132015-US){No record}	20
(15) CABLE, SQGE LIFT(8134082) {i20NB 000905~、 }	20
(16) CLAMP, DRAIN HOSE(6210111){i20NB 000165~101503}	21
(17) CLAMP, DRAIN HOSE(6210120) {i20NB 101504~}	21
(18) MAIN CONTROLLER, i20NB(8134790){i20NB 000905~ }	21
(19) REAR PLATE, CONTROL CONSOLE(8134070){i20NB 000905~ }	21
(20) LEVER, BAIL(8134300){i20NB 000905~ }	21
(21)CONTROL BOX BACK SEALING RING(8134085){i20NB 101666~ }	21
(22)CONTROL BOX SEAL RING(8134083){i20NB 101652~ }	21
7、 CONTROL CONSOLE GROUP(i20NBT /i24BT1.0)	22
(1) CONTROL CONSOLE HOUSING (8134001) { i20NBT 000187~000603 、 i20NBT-OB 000101~000288、 i24BT 000139~000321 }	23
(2) PCB ASSEMBLY(8124701){i20NBT 000187~000603、i20NBT-OB 000101~000288、i24BT 000139~000321}	23
(3) CONTROL PANEL (8144010) { i20NBT 000187~000603 、 i20NBT-OB 000101~000288 、 i24BT 000139~000321 }	23
(4) CONTROL PANEL DECAL, i20NBT(8144014){i20NBT 000187~000628、 i20NBT-OB 000101~000288}	23

TABLE OF CONTENTS

(5) CONTROL PANEL DECAL, i24BT(8144015){i24BT 000139~000321}.....	23
(6) BUTTON,EMERGENCY STOP(8124007){i20NBT 000187~001030、 i20NBT-OB 000101~000435、 i24BT 000139~000532}.....	23
(7) SPRING(8124008){i20NBT 000187~001030、 i20NBT-OB 000101~000435、 i24BT 000139~000532}.....	23
(8) BASE, CIRCUIT BREAKERS MNTG(8144030){i20NBT 000187~001030、 i20NBT-OB 000101~000435、 i24BT 00139~000532}.....	23
(9) CIRCUIT BREAKER, 35A(8114703) {i20NBT 000187~000603、 i20NBT-OB 000101~000288、 i24BT 000139~000321}.....	23
(10) EMERGENCY STOP SWITCH, KIT(8124715A){i20NBT 000187~001030、 i20NBT-OB 000101~000435、 i24BT 000139~000532}.....	23
(11) CLAMP, DRAIN HOSE(6210111) {i20NBT 000187~101635、 i20NBT-OB 000101~100728、 i24BT 000139~100692}.....	24
(12) SPEED CONTROL BOARD(8124501){i20NBT 000187~000603、 i20NBT-OB 000101~000288、 i24BT 000139~ 000321}.....	24
(13) LEVER, BAIL(8134300){i20NBT 000681~ 、 i20NBT-OB 000294~ 、 i24BT 000433~ }.....	24
(14) REAR PLATE, CONTROL CONSOLE (8134021) { i20NBT 000187~000603 、 i20NBT-OB 000101~000288、 i24BT 000139~000321 }.....	24
(15) SOLENOID SWITCH (8124704) { i20NBT 000187~000603 、 i20NBT-OB 000101~000288 、 i24BT 000139~000321 }.....	25
(16) RELAY, 40A(8114707){i20NBT 000187~ 、 i20NBT-OB 000101~ 、 i24BT 000139~ }.....	25
8、 CONTROL CONSOLE GROUP(i20NBT /i24BT2.0).....	26
(1) CONTROL PANEL DECAL, i20NBT(8144724){i20NBT 000604~ 、 i20NBT-OB 000294~ }.....	27
(2) CONTROL PANEL DECAL, i24BT(8144725){i24BT 000321~ }.....	27
(3) CONTROL PANEL, i20NBT (8144720){i20NBT 000604~ 、 i20NBT-OB 000294~ }.....	27
(4) CONTROL PANEL PCB, i20NBT (AGM / EN)(8144795){i20NBT 000681~ 、 i20NBT-OB 000294~ 、 i24BT 000433~ }.....	27

TABLE OF CONTENTS

(5) CONTROL PANEL PCB, i20NBT (WET FLOODED / EN)(8144797){No record}.....	27
(6) CONTROL HOUSING, i20NB(8134005A){i20NBT 000681~ 、 i20NBT-OB 000294~ 、 i24BT 000433~ }.....	27
(7) CIRCUIT BREAKER, 5A(8310740){i20NBT 000681~ 、 i20NBT-OB 000294~ 、 i24BT 000433~ }.....	27
(8) BASE, EMERGENCY STOP SWITCH(8134007){i20NBT 001031~ 、 i20NBT-OB 000436~、i24BT 000533~ }.....	27
(9) LABEL, EMERGENCY STOP SWITCH(8144027){i20NBT 001031~ 、 i20NBT-OB 000436~、i24BT 000533~ }.....	27
(10) BUTTON,EMERGENCY STOP(8310707){i20NBT 001031~ 、 i20NBT-OB 000436~、 i24BT 000533~ }.....	27
(11) PLATE, ON BOARD BATTERY CHARGER (8134060) { i20NBT 000681~ 、 i20NBT-OB 000294~ 、 i24BT 000433~ }.....	2 8
(12) ON-BOARD CHARGER SPE 13-amp 24 volt,KIT(8 132010-US) {i20NBT 000187~000850、 i20NBT-OB 000101~000410、 i24BT 000139~000482}.....	28
(13) ON-BOARD CHARGER FLEXCHAR, PRESET Trojan CHARGING CUVE(OPTION),KIT(8132015A){No record}.....	28
(14) ON BOARD CHARGER Pro CHARGING SYSTEM 13-AMP 24 VOLT, KIT (OPTION) (OPTION)(8132020-US) {i20NBT 000187~000850、 i20NBT-OB 000101~000410、 i24BT 000139~000482}.....	28
(15) BATTERY CHARGER POWER CORD, KIT (8112030A) { i20NBT 000681~ 、 i20NBT-OB 000294~ 、 i24BT 000433~ }.....	2 8
(16) CAR CHARGER(SPE)(8132010) { i20NBT 000187~000850 、 i20NBT-OB 000101~000410 、 i24BT 000139~000482 }.....	2 8
(17) ON-BOARD CHARGER SPE 13-amp 24 volt (8132010A) { i20NBT 000187~000850 、 i20NBT-OB 000101~000410、 i24BT 000139~000482 }.....	28
(18) ON BOARD BATTERY CHARGER, INCLUDE TERMINAL, FLEXCHAR(8132015-US){No record}.....	28
(19) CABLE, SQGE LIFT(8134082){i20NBT 000681~ 、 i20NBT-OB 000294~、 i24BT 000433~ }.....	28
(20) CLAMP, DRAIN HOSE (6210111){i20NBT 000187~101635、 i20NBT-OB 000101~100728、 i24BT 000139~100692 }.....	29
(21)MAIN CONTROLLER, i20NBT(8144790){i20NBT 000604~ 、 i20NBT-OB 000294~、 i24BT 000321~ }.....	29
(22)REAR PLATE, CONTROL CONSOLE(8134070){i20NBT 000618~ 、 i20NBT-OB 000294~、i24BT 000433~ }.....	29
(23)LEVER, BAIL(8134300){i20NBT 000618~ 、 i20NBT-OB 000294~、 i24BT 000433~ }.....	29

TABLE OF CONTENTS

(24)CONTROL BOX BACK SEALING RING(8134085){i20NBT 102014~、i20NBT-OB 100917~、i24BT 100882~ }.....	29
(25)CONTROL BOX SEAL RING(8134083){i20NBT 101959~、i20NBT-OB 100841~、i24BT 100868~ }.....	29
9、 FRAME&WHEEL GROUP(i20NB1.0).....	30
(1) MAIN FRAME (8135100) { i20NB 000165~000490 }.....	3 1
(2) WHEEL, 8 INCH (8115200) { i20NB 000165~ }.....	3 1
(3) ADAPTER, AXLE MNTG(8115402) {i20NB 000165~000490 }.....	3 1
(4) MICRO SWITCH 25A (8115007) { i20NB 000165~000490 }.....	3 1
(5) SOLENOID VALVE, 24VDC (8119003) {i20NB 000165~ }.....	3 1
10、 FRAME&WHEEL GROUP(i20NB2.0).....	33
(1) MAIN FRAME (8145100) { i20NB 000433~ }.....	3 4
(2) SOLENOID VALVE, 24VDC(8119003){i20NB 000165~ }.....	34
(3) WHEEL, 8 INCH (8115200) { i20NB 000165~ }.....	3 4
(4) SHAFT (8135405) { i20NB 000433~ }.....	3 4
(5) MICRO SWITCH 20A(8014071) {i20NB 000433~ }.....	3 5
(6) SLEEVE, P/M(8115405){i20NB 000165~ }.....	35
11、 FRAME&TRANSAXLE GROUP(i20NBT/i24BT1.0).....	36
(1) MAIN FRAME(8135100){i20NBT 000187~、 i20NBT-OB 000101~、 i24BT 000139~}.....	37
(2)SOLENOID VALVE, 24VDC(8119003){i20NBT 000187~、i20NBT-OB 000101~、i24BT 000139~ }.....	37
(3) WHEEL, 8 INCH(8125200){i20NBT 000187~、 i20NBT-OB 000101~、 i24BT 000139~ }.....	37
(4) TRANSAXLE, KIT(8125410){i20NBT 000187~101887 / 102107~、 i20NBT-OB 000101~100808/100955~、 i24BT 000139~100846/100942~}.....	37
(5) BRACKET(8115009){i20NBT 000187~、 i20NBT-OB 000101~、 i24BT 000139~ }.....	38
(6) CAP, MICRO SWITCH, 3/8(8115008){i20NBT 000187~000279、 i20NBT-OB 000101~000222、 i24BT 000139~00 0490}.....	38
(7) MICRO SWITCH 25A(8115007) {i20NBT 000187~000394、 i20NBT-OB 000101~000170、 i24BT 000139~No record}.....	38

TABLE OF CONTENTS

12、FRAME&TRANSAXLE GROUP(i20NBT/i24BT2.0).....	39
(1) MAIN FRAME(8135100){i20NBT 000187~、 i20NBT-OB 000101~ 、 i24BT 000139~}.....	40
(2) SOLENOID VALVE, 24VDC(8119003){i20NBT 000187~ 、 i20NBT-OB 000101~ 、 i24BT 000139~ }....	40
(3) WHEEL, 8 INCH(8125200){i20NBT 000187~、 i20NBT-OB 000101~ 、 i24BT 000139~ }.....	40
(4) TRANSAXLE, KIT(8125410){i20NBT 000187~101887 / 102107~ 、 i20NBT-OB 000101~100808/100955~、 i24BT 000139~100846/100942~}.....	40
(5) TRANSAXLE, KIT(8125408){i20NBT 101888~102106、 i20NBT-OB 100809~100954、 i24BT 100847~100941}....	41
(6) MICRO SWITCH 20A(8014071){i20NBT 000404~、 i20NBT-OB 000171~、 i24BT 000272~}.....	41
(7) SLEEVE,PM(8115405){i20NBT 000187~ 、 i20NBT-OB 000101~ 、 i24BT 000139~ }.....	41
13、 SCRUB HEAD GROUP (i20NB / i20NBT).....	42
(1) KEY(1656432){No record}.....	43
(2) KEY(1656433){i20NB 000985~ 、 i20NBT 000831~ }.....	43
14、 SCRUB HEAD GROUP (i20NBT-OB1.0).....	45
(1) LOCK, WEIGHT(8146106){i20NBT-OB 000101~000130}.....	46
(2) BRACKET, ORBITAL HEAD(8146101){i20NBT-OB 000101~000288}.....	46
(3) BRACKET, MOTOR MOUNTING(8146102){i20NBT-OB 000101~000288}.....	46
(4) ELBOW, TUBING BARB(8119002) {i20NBT-OB 000101~101019 }.....	46
(5) CLAMP(1962016) {i20NBT-OB 000101~101019 }.....	46
(6) TUBING, ID=12mm, l=60mm(8146320){i20NBT-OB 000101~101019}.....	46
15、 SCRUB HEAD GROUP (i20NBT-OB2.0).....	47
(1) MOTOR, 24VDC 550W 2200RPM, KIT(8146199){i20NBT-OB 000101~ }.....	48
(2) MOUNTING BRACKET, ORBITAL HEAD(8146520){i20NBT-OB 000294~ }.....	48
(3) BRACKET, MOTOR MOUNTING(8146501){i20NBT-OB 000294~ }.....	48
(4) PVC TUBING (8146508){i20NBT-OB 000294~ }.....	48
(5) PAD DRIVER(8146502){i20NBT-OB 000294~}.....	48
(6) ELBOW, 3/8(8146511) {i20NBT-OB 000294~}.....	48

TABLE OF CONTENTS

(7) COUPLER(8119012) {i20NBT-OB 000121~ }.....48

(8) SEALING CAP(8146208){i20NBT-OB 100776~ }.....48

(9) PAD(8146209){i20NBT-OB 100776~ }.....48

16、SCRUB HEAD GROUP (i24BT).....50

(1) BRUSH MOTOR, 24VDC 680W 2000RPM, KIT(8126200){i24BT 000139~ }.....51

(2) 11" PAD DRIVER(9040011U) {i24BT 000482~ }.....51

17、SCRUB HEAD LIFT GROUP (i20NB / i20NBT).....53

(1) BUMPER(8133151){i20NB 000528~ 、 i20NBT 000459~ }.....54

18、ORBITAL HEAD LIFT GROUP (i20NBT-OB1.0).....55

(1) BUMPER(8133151) {i20NBT-OB 000171~ }.....56

19、ORBITAL HEAD LIFT GROUP (i20NBT-OB2.0).....57

(1) BUMPER(8133151) {i20NBT-OB 000171~ }.....58

(2) BRACKET, ORBITAL HEAD LIFT(8146530){i20NBT-OB 000249~ }.....58

20、ORBITAL HEAD LIFT GROUP (i24BT).....59

(1) BUMPER(8133151) {i24BT 000287~ }.....60

21、SQUEEGEE GROUP (1.0).....61

(1) RETAINER,SQUEEGEE (8118005) { i20NB 000165~000490 、 i20NBT 000187~000488 、
i20NBT-OB 000101~000258、 i24BT 000139~000311 }.....62

(2) VACUUM HOSE (8118006) { i20NB 000165~101273 、 i20NBT 000187~101231 、
i20NBT-OB 000101~100609、 i24BT 000139~000611 }.....62

22、SQUEEGEE GROUP (2.0).....63

(1) STAINLESS STEEL RETAINER,SQUEEGEE(8118009) {i20NB 000528~、 i20NBT 000489~ 、
i20NBT-OB 000259~ 、 i24BT 000337~ }.....64

(2) PLASTIC SPACER(8118008){i20NB 000528~、i20NBT 000489~ 、i20NBT-OB 000259~ 、i24BT 000337~ }.....64

(3) VACUUM HOSE (8118006) { i20NB 000165~101273 、 i20NBT 000187~101231 、
i20NBT-OB 000101~100609 、 i24BT 000139~000611 }..... 64

TABLE OF CONTENTS

2 3、 SOLUTION GROUP(S/N.XXXXXX-XXXXXX).....65

24、 WIRING DIAGRAM FOR {i20NB 000165-000270}.....67

2 5、 W I R I N G D I A G R A M F O R i 2 0 N B T, i 2 0 N B T - O B & i 2 4 B T
{SN.XXXXXX-XXXXXX}.....68

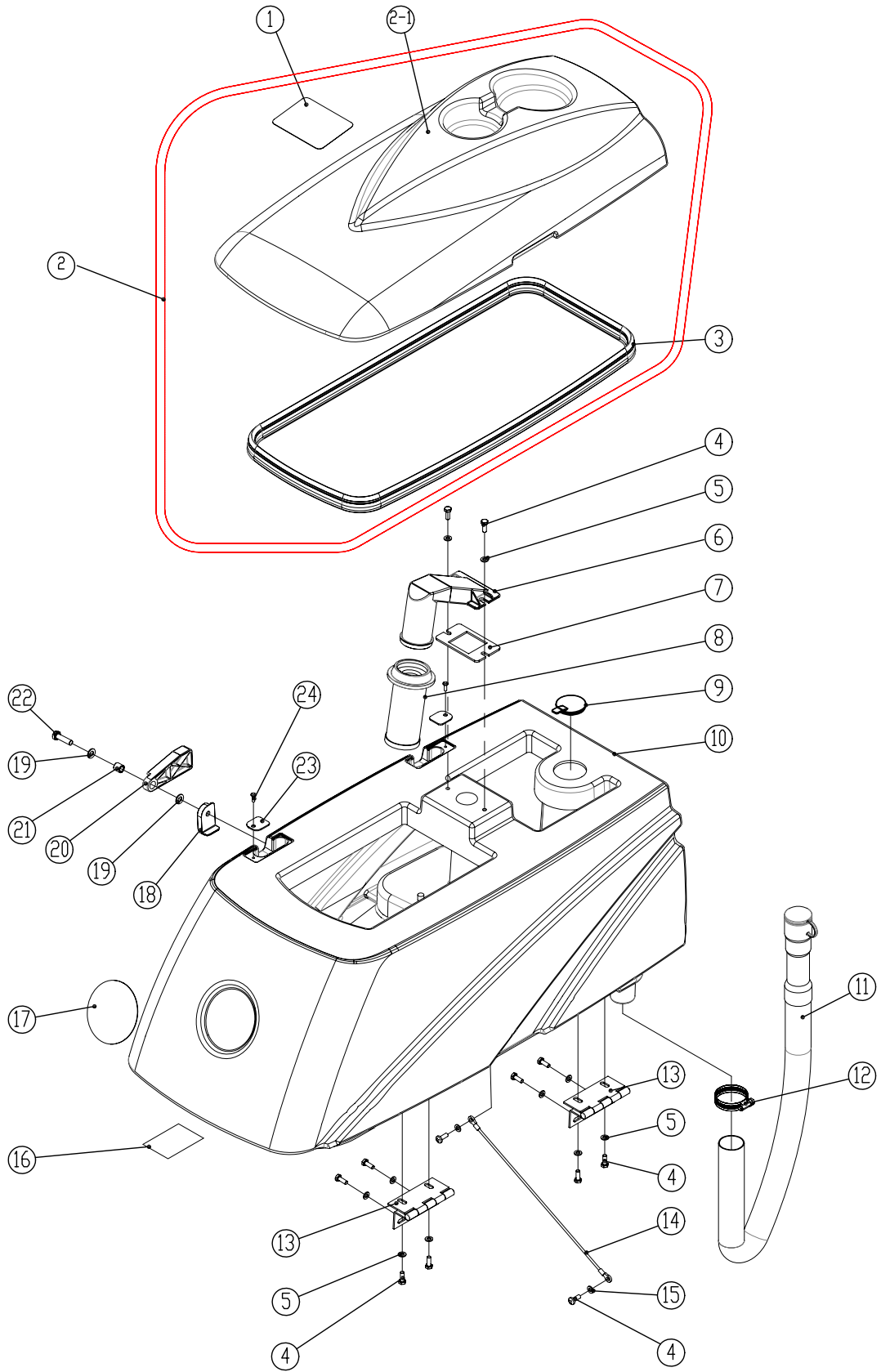
26、 WIRING DIAGRAM FOR {i20NB 000271~000527}.....69

2 7、 W I R I N G D I A G R A M F O R i 2 0 N B T, i 2 0 N B T - O B & i 2 4 B T
{i20NBT 000187~000603 I24BT 000139~000321}.....70

28、 WIRING DIAGRAM FOR {i20NB 000528~}.....71

2 7、 W I R I N G D I A G R A M F O R i 2 0 N B T, i 2 0 N B T - O B & i 2 4 B T
{i20NBT 000604~ i24BT 000322~}.....72

RECOVERY TANK GROUP



PARTS LIST

RECOVERY TANK GROUP

DIA NO.	PART NUMBER	DESCRIPTION	SERIAL NUMBER	MACHINE TYPE	NO REQ'D
1	8111022	WARNING LABEL	000101~		1
2	8131100	RECOVERY TANK COVER KIT WITH SEAL AND LABEL			1
2-1	8131002	RECOVERY TANK COVER	000101~		1
3	8131005	RECOVERY TANK COVER SEAL	000165~001099	i20NB	1
			000187~000776	i20NBT	
			000101~000409	i20NBT-OB	
			000139~000482	i24BT	
	8131005-2	RECOVERY TANK COVER SEAL	001100~	i20NB	1
			000777~	i20NBT	
			000410~	i20NBT-OB	
			000483~	i24BT	
4	1021616	HEX BOLT M6 X 16	000101~		12
5	1421618	FLAT WASHER M6×φ18×1.6	000101~		10
6	8111014	FLOAT ADAPTER	000101~		1
7	8111001	GASKET	000101~		1
8	8111015	FLOAT, SHUT-OFF	000101~		1
9	8131003	CAP	000165~101687	i20NB	1
			000187~102033	i20NBT	
			000101~100931	i20NBT-OB	
			000139~100925	i24BT	
	8131004	CAP	101688~	i20NB	1
			102034~	i20NBT	
			100932~	i20NBT-OB	
			100926~	i24BT	
10	8131001	RECOVERY TANK	000101~		1
11	8131010	DRAIN HOSE	000165~101273	i20NB	1
			000187~101231	i20NBT	
			000101~100609	i20NBT-OB	
			000139~000611	i24BT	
	8210170	DRAIN HOSE	No record	i20NB	1
			No record	i20NBT	
			No record	i20NBT-OB	
			No record	i24BT	
	8131030	DRAIN HOSE	101274~101658	i20NB	1
			101232~101983	i20NBT	
			100610~100878	i20NBT-OB	
			100612~100874	i24BT	
	8131031	DRAIN HOSE	101659~	i20NB	1
			101984~	i20NBT	
			100879~	i20NBT-OB	
			100875~	i24BT	
12	1962050	CLAMP	000101~		1
13	8111300	HINGE ASSEMBLY	000101~		2
14	8131020	CABLE	000101~		1

PARTS LIST

RECOVERY TANK GROUP

DIA NO.	PART NUMBER	DESCRIPTION	SERIAL NUMBER	MACHINE TYPE	NO REQ'D
12	1962050	CLAMP	000101~		1
13	8111300	HINGE ASSEMBLY	000101~		2
14	8131020	CABLE	000101~		1
15	1421612	FLAT WASHER M6× ϕ 12×1.6	000101~		2
16	8111024	LABEL, BATTERY INSTALLATION	000101~		1
17	4010316	ICE LOGO	000101~		1
18	8111008	BRACKET	000101~		1
19	1421816	FLAT WASHER M8× ϕ 16×1.6	000101~		2
20	8111007	RECOVERY TANK SUPPORT	000101~		1
21	8115404	SLEEVE, P/M	000101~		1
22	1021830	HEX BOLT M8×30	000101~		1
23	8111016	PLATE	000101~		2
24	1221412	SCREW M4×12	000101~		2

NOTES:

1. If the specific model is not filled in the item of machine type, the material used for i20NB/i20NBT/i20NBT-OB/i24BT models is the same.

PARTS LIST

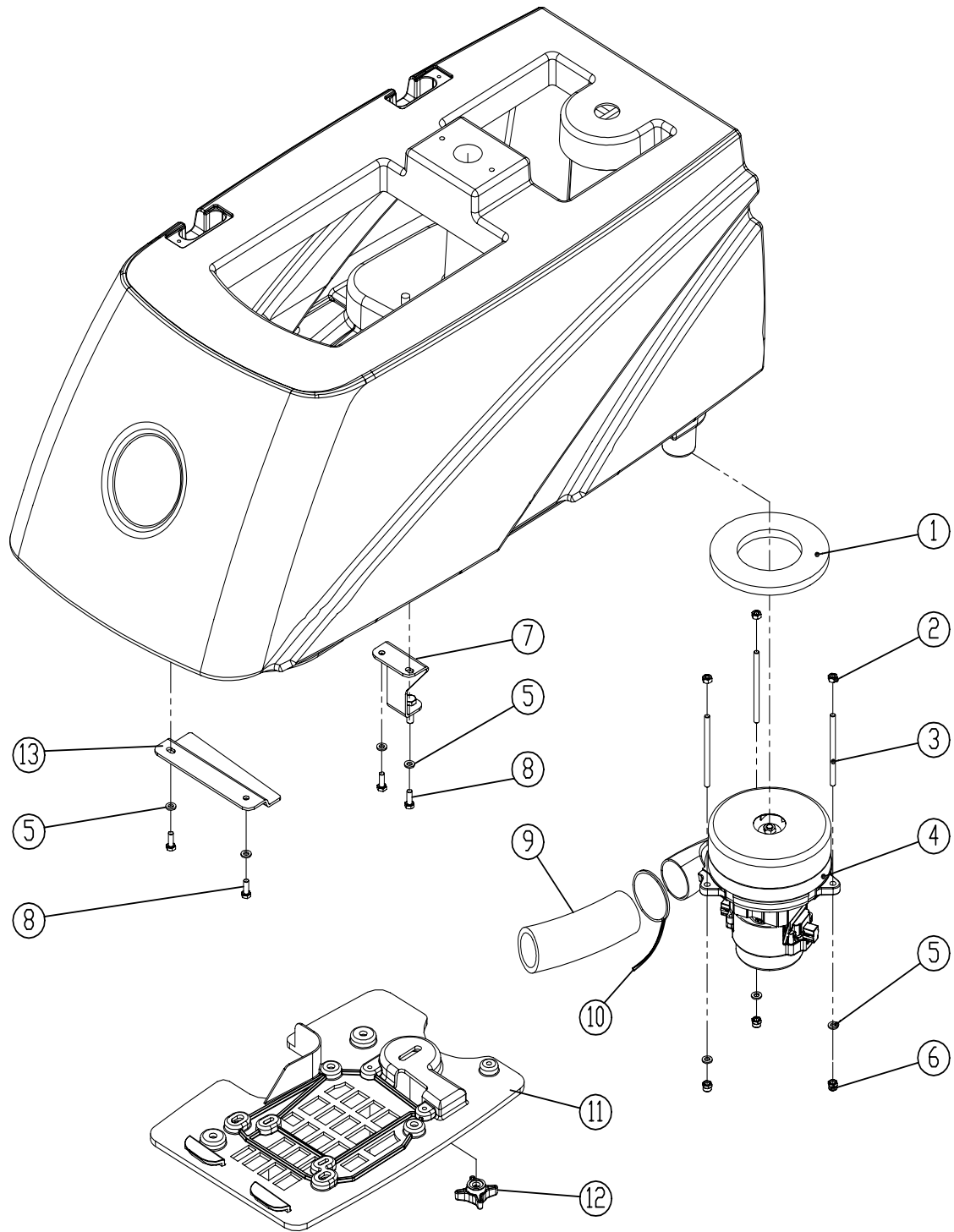
VACUUM FAN GROUP

DIA NO.	PART NUMBER	DESCRIPTION	SERIAL NUMBER	MACHINE TYPE	NO REQ'D
1	8112005	GASKET, VACUUM MOTOR	000101~		1
2	1121605	HEX NUT M6	000101~		3
3	8112006	STUD M6×92	000101~		3
4	8116500	VACUUM MOTOR, KIT, 24VDC	000165~000490/101604~	i20NB	1
			000187-000425/101868~	i20NBT	
			000101~000222/100789~	i20NBT-OB	
			000139-000281/100835~	i24BT	
	8112008	CARBON BRUSH, 24VDC			1
	8132050	VACUUM MOTOR, KIT, 24VDC	000528~101254	i20NB	1
000439~001230			i20NBT		
000229~000608			i20NBT-OB		
000282~100612			i24BT		
8132006	CARBON BRUSH, 24VDC			1	
5	1421612	FLAT WASHER M6× φ 12×1.6	000101~		7
6	1123608	LOCK NUT M6	000101~		3
7	8112003	BRACKET	000165~001070	i20NB	1
			000187~000881	i20NBT	
			000101~000410	i20NBT-OB	
			000139~000492	i24BT	
8	1021616	HEX HEAD BOLT M6×16	*		4
9	8132007	MUFFLER, VACUUM MOTOR	000101~		1
10	1914300	TIE, NYLON, 5X300	000101~		2
11	8112030	POWER CORD	000101~000528	i20NB	1
12	8132020-PC	ON BOARD BATTERY CHARGER, KIT, US	000101~000528	i20NB	1
13	8112001	CHARGER COVER	*		1
14	8118003	KNOB M8	*		1
15	1421515	FLAT WASHER M5× φ 16×1.0	*		4
16	1221516	PAN HEAD SCREW M5X16	*		4
17	8131008	CLAMP, ON BOARD BATTERY CHARGER	*		2
18	1421510	FLAT WASHER M5× φ 10×1.0	*		4
19	1123507	LOCK NUT M5	*		4
20	8112004	BRACKET	*		1

NOTES:

1. If the specific model is not filled in the item of machine type, the material used for i20NB/i20NBT/i20NBT-OB/i24BT models is the same.
2. DIA NO 4: Carbon Brush 8112008(8132006) is a consumable for motor set 8112100(8132050).
3. Parts marked * in the serial number column have the same serial number switching time as the DIA NO "7".

VACUUM FAN GROUP



PARTS LIST

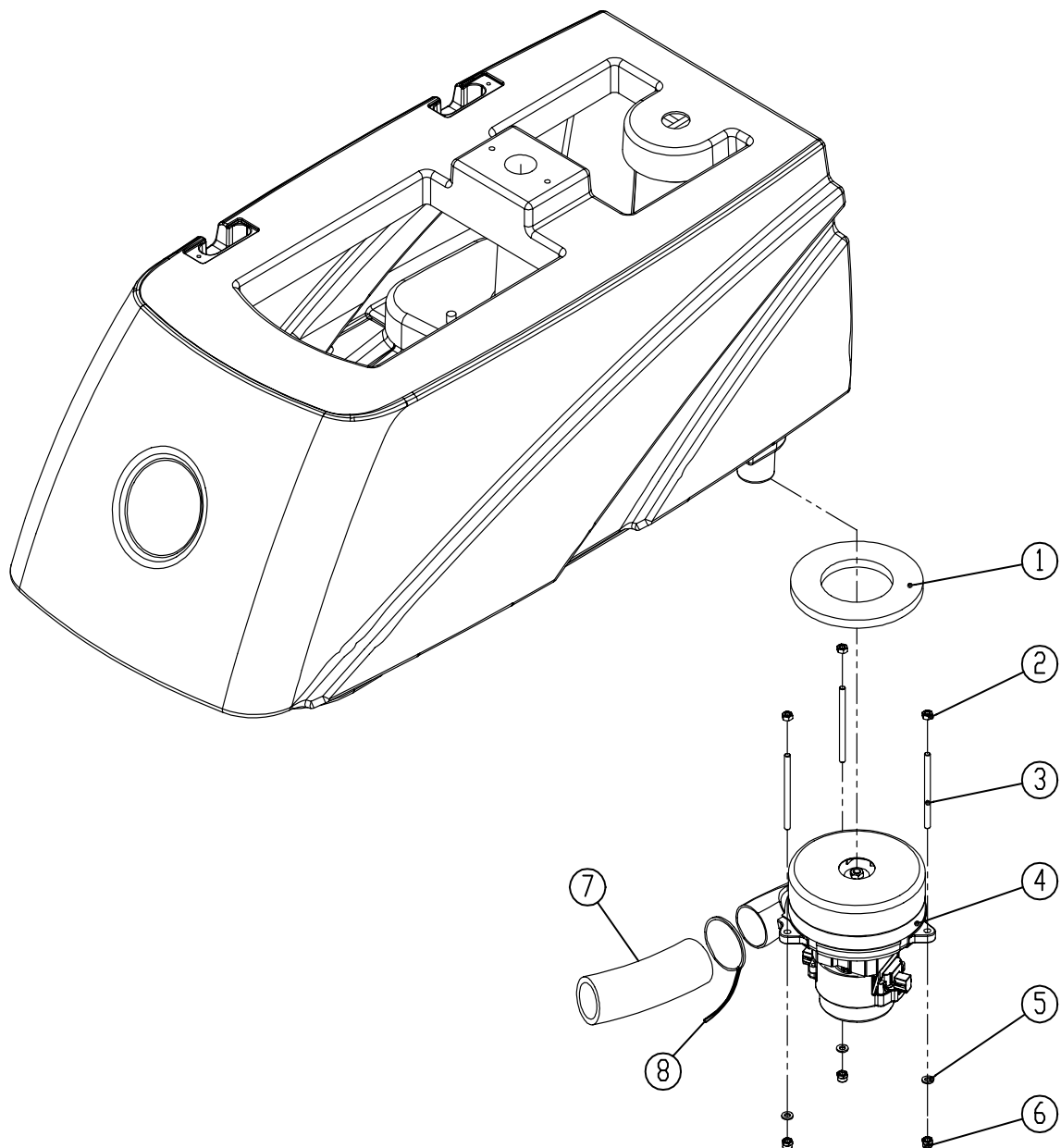
VACUUM FAN GROUP

DIA NO.	PART NUMBER	DESCRIPTION	SERIAL NUMBER	MACHINE TYPE	NO REQ'D
1	8112005	GASKET, VACUUM MOTOR			1
2	1121605	HEX NUT M6			3
3	8112006	STUD M6×92			3
4	6116500	VACUUM MOTOR, KIT, 24VDC	000165~000490/101604~	i20NB	1
			000187-000425/101868~	i20NBT	
			000101~000222/100789~	i20NBT-OB	
			000139-000281/100835~	i24BT	
	8112008	CARBON BRUSH, 24VDC			1
	8132050	VACUUM MOTOR, KIT, 24VDC	000528~101254	i20NB	1
			000439~001230	i20NBT	
			000229~000608	i20NBT-OB	
000282~100612			i24BT		
8132006	CARBON BRUSH, 24VDC			1	
5	1421612	FLAT WASHER M6× φ 12×1.6			7
6	1123608	LOCK NUT M6			3
7	8112003	BRACKET	000165~001070	i20NB	1
			000187~000881	i20NBT	
			000101~000410	i20NBT-OB	
			000139~000492	i24BT	
8	1021616	HEX HEAD BOLT M6×16	*		4
9	8132007	MUFFLER, VACUUM MOTOR			1
10	1914300	TIE, NYLON, 5X300			2
11	8112001	CHARGER COVER	*		1
12	8118003	KNOB M8	*		1
13	8112004	BRACKET	*		1

NOTES:

1. If the specific model is not filled in the item of machine type, the material used for i20NB/i20NBT/i20NBT-OB/i24BT models is the same.
2. DIA NO 4: Carbon Brush 8112008(8132006) is a consumable for motor set 8112100(8132050).
3. Parts marked * in the serial number column have the same serial number switching time as the DIA NO "7".

VACUUM FAN GROUP



PARTS LIST

VACUUM FAN GROUP

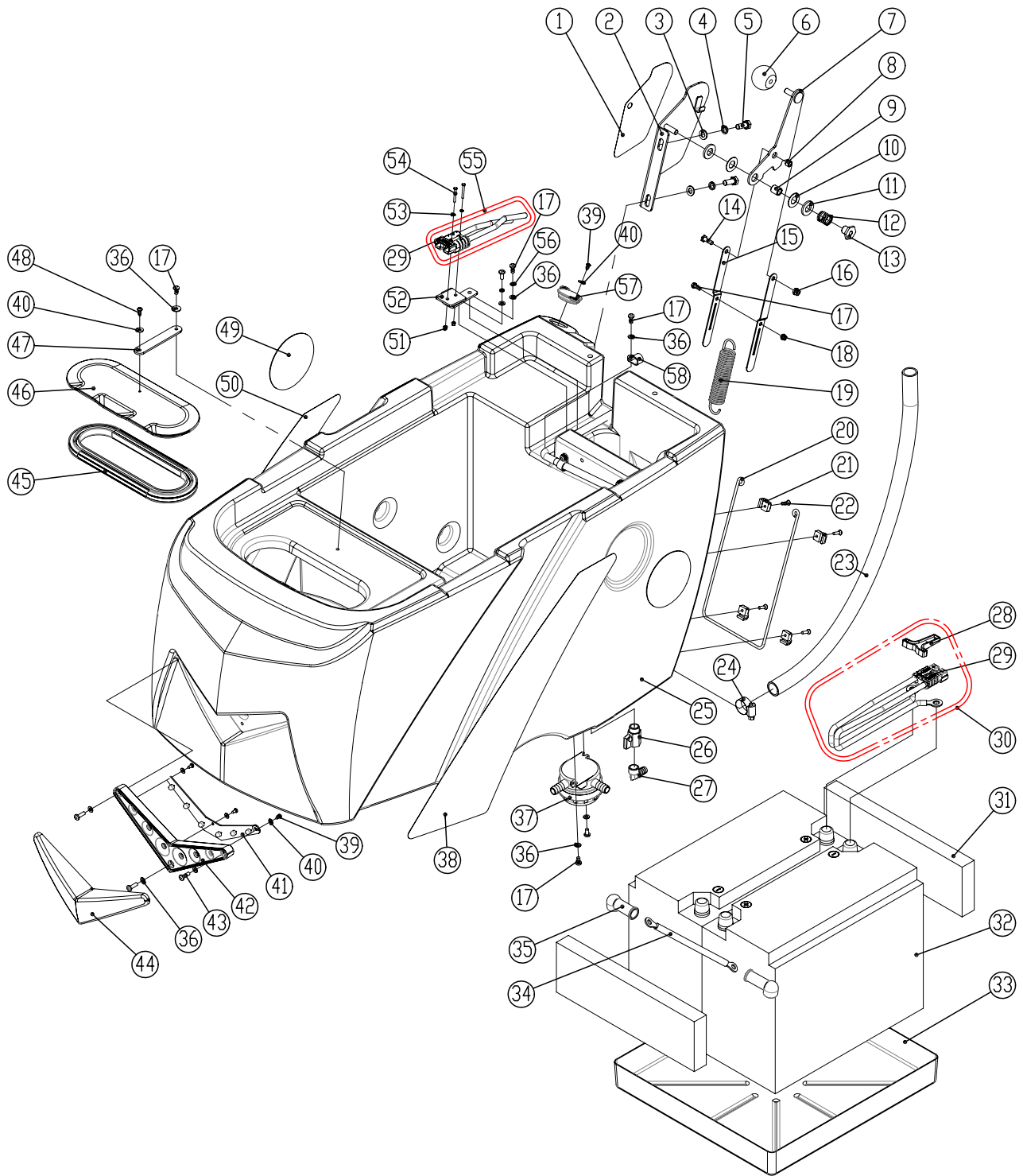
DIA NO.	PART NUMBER	DESCRIPTION	SERIAL NUMBER	MACHINE TYPE	NO REQ'D
1	8112005	GASKET, VACUUM MOTOR			1
2	1121605	HEX NUT M6			3
3	8112006	STUD M6×92			3
4	8116500	VACUUM MOTOR, KIT, 24VDC	000165~000490/101604~	i20NB	1
			000187-000425/101868~	i20NBT	
			000101~000222/100789~	i20NBT-OB	
			000139-000281/100835~	i24BT	
	8112008	CARBON BRUSH, 24VDC			1
	8132050	VACUUM MOTOR, KIT, 24VDC	000528~101254	i20NB	1
			000439~001230	i20NBT	
			000229~000608	i20NBT-OB	
000282~100612			i24BT		
8132006	CARBON BRUSH, 24VDC			1	
5	1421612	FLAT WASHER M6× φ 12×1.6			7
6	1123608	LOCK NUT M6			3
7	8132007	MUFFLER, VACUUM MOTOR			1
8	1914300	TIE, NYLON, 5X300			2

NOTES:

1、If the specific model is not filled in the item of machine type, the material used for i20NB/i20NBT/i20NBT-OB/i24BT models is the same.

2、DIA NO 4: Carbon Brush 8112008(8132006) is a consumable for motor set 8112100(8132050).

SOLUTION TANK GROUP



PARTS LIST

SOLUTION TANK GROUP

DIA NO.	PART NUMBER	DESCRIPTION	SERIAL NUMBER	MACHINE TYPE	NO REQ'D
1	8113115	DOWN PRESSURE LABEL	000101~		1
2	8113101	DOWN PRESSURE LEVER BRACKET	000101~		1
3	1421816	FLAT WASHER M8×φ16×1.6	000101~		2
4	1422821	LOCK WASHER M8	000101~		2
5	1021820	HEX BOLT M8×20	000101~		2
6	8113104	BALL KNOB	000101~		1
7	8113106	DOWN PRESSURE LEVER	000101~		1
8	8113112	BUSHING	000101~		1
9	8113110	SLEEVE, P/M	000101~		1
10	8113111	NYLON FLAT WASHER φ12.9×φ25.4×0.8	000101~		2
11	8113109	THRUST BEARING	000101~		2
12	8113114	SPRING	000101~		1
13	8113107	RETAINER, SPRING	000101~		1
14	8113103	BOLT M6×18	000101~		1
15	8113108	LINK, SPRING	000101~		2
	8133108	LINK, SPRING, ORBITAL HEAD MODEL	000101~		2
16	1123608	LOCK NUT M6	000101~		1
17	1221512	SCREW M5×12	000101~		15
18	1123507	LOCK NUT M5	000101~		1
19	8133113	SPRING	000101~		1
20	8133501	CARGO NET	000101~		1
21	8133502	CLAMP	000101~		4
22	1221412	SCREW M4X12	000101~		4
23	8133008	CLEAN TUBING	000729~	i20NB	1
			000641~	I20NBT	
			000294~	i20NBT-OB	
			000362~	i24BT	
24	1962025	CLAMP 16-25mm	000101~		1
25	8133001	SOLUTION TANK	000101~		1
26	8119005	BALL VALVE, G1/2	000101~		1
27	8119007	ELBOW G1/2	000101~		1
28	8113021	HANDLE, CONNECTOR	000101~		1
29	8113020	CONNECTOR	000101~		2
30	8114731	BATTERY CONNECT CABLE, ASSEMBLY	000101~		1
31	8113013	SPACER, BATTERY	000101~		2

PARTS LIST

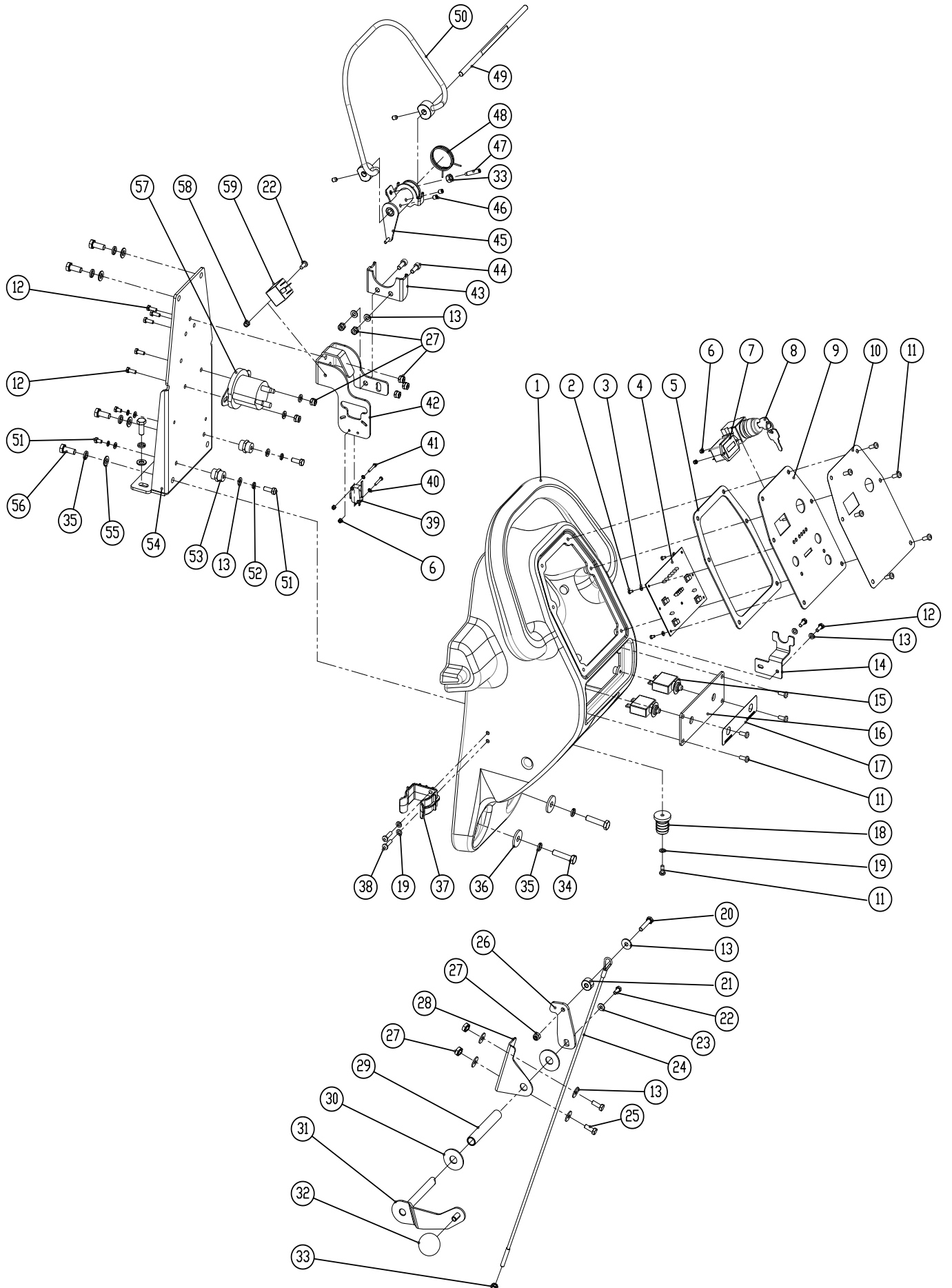
SOLUTION TANK GROUP

DIA NO.	PART NUMBER	DESCRIPTION	SERIAL NUMBER	MACHINE TYPE	NO REQ'D
32		CONTACT ICE FOR PART NUMBER	000101~		2
33	8113012	BATTERY TRAY	000101~		1
34	8114750	BATTERY CONNECT CABLE, BLACK	000101~		1
35	8114751	JACKET, BATTERY TERMINAL, BLACK	000101~		4
36	1421510	FLAT WASHER M5×φ10×1	000101~		17
37	8119100	FILTER ASSEMBLY	000101~		1
38	8133025	LABEL, LEFT SIDE	000101~		1
39	1321110	SELF-TAPPING SCREW ST3.5 ×10	000101~		4
40	1421409	FLAT WASHER M4×φ9×0.8	000101~		5
41	8133610	LED LIGHT, KIT	000101~		1
42	8133601	LED LIGHT MNTG BASE	000101~		1
43	1221520	SCREW M5X20	000101~		3
44	8133602	LED LIGHT COVER	000101~		1
45	8113030	SEAL	000101~		1
46	8113002	COVER	000101~		1
47	8113007	STRAP	000101~		1
48	1321213	SELF-TAPPING SCREW ST4.2X13	000101~		1
49	4010316	ICE Logo	000101~		2
50	8133026	LABEL, RIGHT SIDE	000101~		1
51	1123305	LOCK NUT M3	000101~		2
52	8113010	BRACKET, CONNECTOR MTG	000101~		1
53	1434300	LOCK WASHER, TOOTH, M3	000101~		2
54	1211325	SCREW M3×25	000101~		2
55	8134783	BATTERY CONNECT CABLE, ASSEMBLY	000101~		1
56	1422513	LOCK WASHER M5	000101~		2
57	8133002	CAP, SOLUTION FILL	000101~		1
58	8113009	NYLON, CLAMP	000101~		9

NOTES:

1. If the specific model is not filled in the item of machine type, the material used for i20NB/i20NBT/i20NBT-OB/i24BT models is the same.

CONTROL CONSOLE GROUP (i20NB1.0)



PARTS LIST

CONTROL CONSOLE GROUP (i20NB1.0)

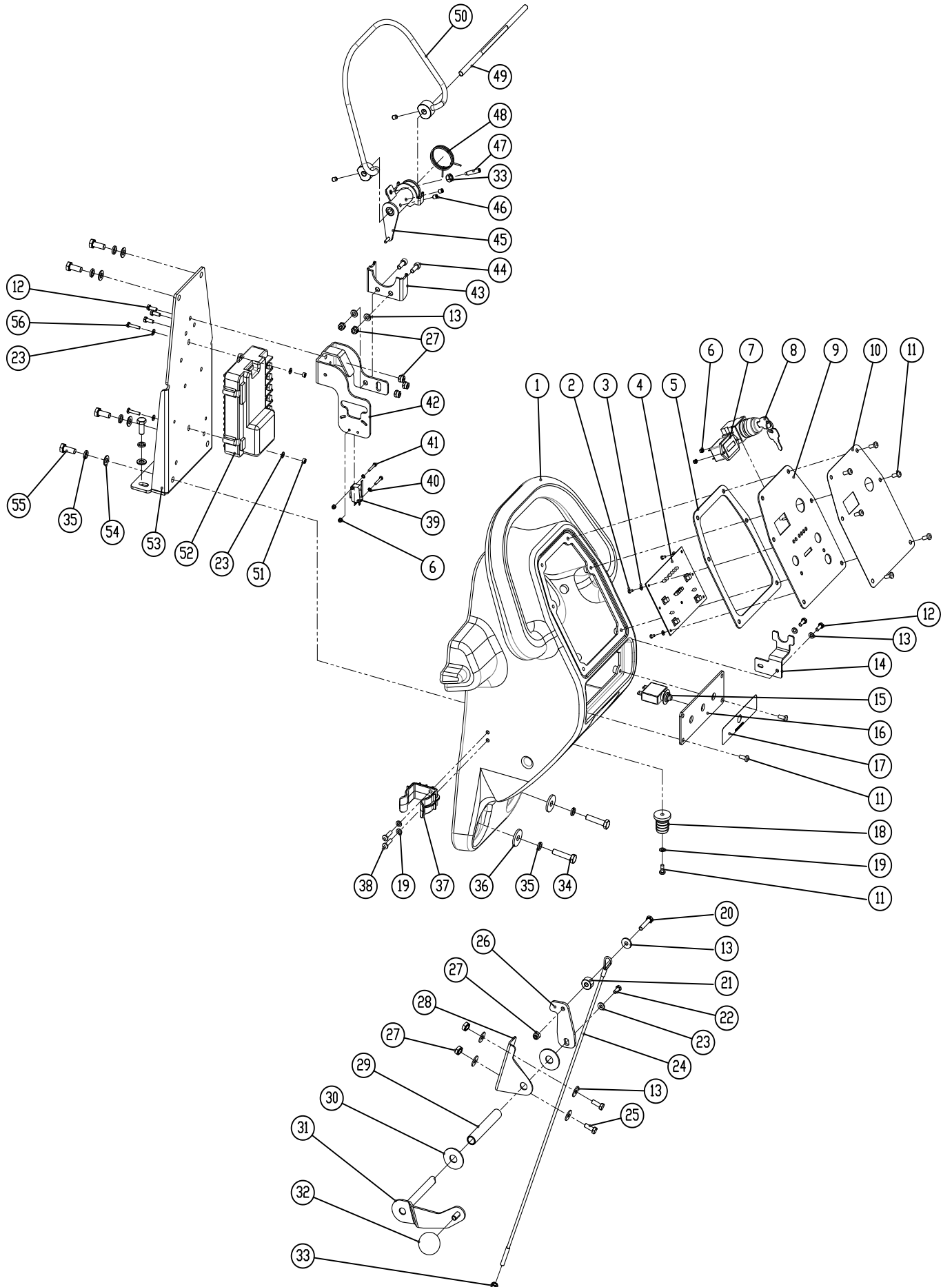
DIA NO.	PART NUMBER	DESCRIPTION	SERIAL NUMBER	MACHINE TYPE	NO REQ'D
1	8134001	CONTROL CONSOLE HOUSING	000165~000490	i20NB	1
2	1221306	SCREW M3×6	000101~		5
3	1421307	FLAT WASHER M3× ϕ 7×0.5	000101~		5
4	8114701	PCB ASSEMBLY	000165~000247	i20NB	1
5	8134015	GASKET	000101~		1
6	1123305	LOCK NUT M3	000101~		4
7	8114710	TIMER	000101~		1
8	8114709	KEY SWITCH	000101~		1
	8114752	KEY	000101~		1
9	8134010	CONTROL PANEL	000165~000490	i20NB	1
10	8134014	CONTROL PANEL DECAL, i20NB	000165~000490	i20NB	1
11	1221512	SCREW M5×12	000101~		12
12	1021616	HEX BOLT M6 X 16	000101~		7
13	1421618	PLAIN WASHER M6× ϕ 18×1.6,SS	000101~		8
14	8114008	BRACKET, SQGE STORAGE	000101~		1
15	8114703	CIRCUIT BREAKER, 5A	000165~000247	i20NB	1
16	8134006	PLATE, CIRCUIT BREAKERS MNTG	000101~		1
17	8144021	LABEL, CIRCUIT BREAKER	000101~		1
18	8114005	CONNECTOR	000101~		1
19	1421510	FLAT WASHER M5× ϕ 10×1.0	000101~		3
20	1021630	HEX HEAD BOLT M6×30,SS	000101~		1
21	8014101	LIFTING ROPE SPACER	000101~		1
22	1021512	HEX HEAD BOLT M5×12,SS	000101~		2
23	1421515	FLAT WASHER M5× ϕ 15×1.0	000101~		5
24	8134013	CABLE, SQGE LIFT	000165~000490	i20NB	1
25	1021620	HEX HEAD BOLT M6×20,SS	000101~		2
26	8014012	BAFFLE	000101~		1
27	1123608	LOCK NUT M6	000101~		10
28	8134501	BRACKET	000101~		1
29	8134508	SLEEVE	000101~		1
30	1421132	FLAT WASHER M12× ϕ 32×1.5	000101~		2
31	8014010	SQUEEGEE LIFTING HANDLE	000101~		1
32	8113104	BALL KNOB M8	000101~		1
33	1121605	HEX NUT M6	000101~		2
34	1021840	HEX BOLT M8×40	000101~		2
35	1422821	LOCK WASHER M8	000101~		8
36	1421828	FLAT WASHER M8× ϕ 28×3	000101~		2
37	6210111	CLAMP, DRAIN HOSE	000165~101503	i20NB	1
38	1221515	PH SCREW M5×15	000101~		2
39	8114712	MICRO SWITCH	000101~		1
40	1434300	LOCK WASHER, TOOTH, M3	000101~		2
41	1021320	SCREW M3×20	000101~		2
42	8134022	BRACKET, SWITCH	000101~		1
43	8114402	BRACKET, SPRING	000101~		1

PARTS LIST

CONTROL CONSOLE GROUP (i20NB1.0)

DIA NO.	PART NUMBER	DESCRIPTION	SERIAL NUMBER	MACHINE TYPE	NO REQ'D
44	1521616	SCREW M6X16, HEX SCOKET	000101~		2
45	8114300	ACTUATOR	000101~		1
46	1534608	SET SCREW M6 ×8	000101~		4
47	1535630	SET SCREW M6 ×30	000101~		1
48	8114306	SPRING	000101~		1
49	8114101	SHAFT	000101~		1
50	8134300	LEVER, BAIL	000905~	i20NB	1
51	1021610	HEX HEAD BOLT M6 X 10	000101~		4
52	1422616	LOCK WASHER, M6	000101~		4
53	8114705	STAND-OFF, M6	000101~		2
54	8134021	REAR PLATE, CONTROL CONSOLE	000165~000490	i20NB	1
55	1421824	FLAT WASHER M8× 24×2	000101~		6
56	1021820	HEX BOLT M8×20	000101~		6
57	8124704	SOLENOID SWITCH	000165~000247	i20NB	1
58	1123507	LOCK NUT M5	000101~		1
59	8114707	RELAY, 40A	000165~	i20NB	1

CONTROL CONSOLE GROUP (i20NB1.5)



PARTS LIST

CONTROL CONSOLE GROUP (i20NB1.5)

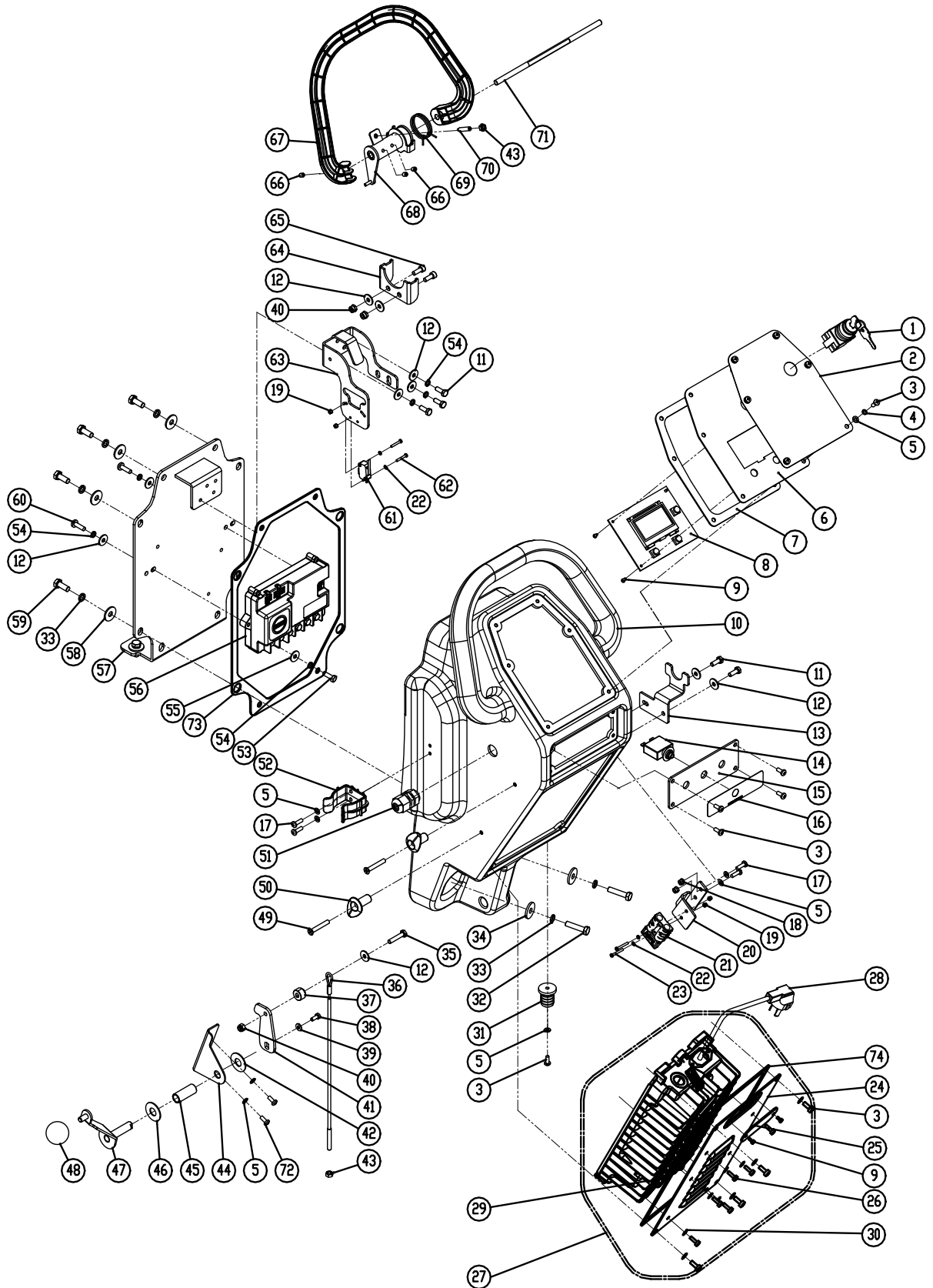
DIA NO.	PART NUMBER	DESCRIPTION	SERIAL NUMBER	MACHINE TYPE	NO REQ'D
1	8134001	CONTROL CONSOLE HOUSING	000165~000490	i20NB	1
2	1221306	SCREW M3×6			5
3	1421307	FLAT WASHER M3× ϕ 7×0.5			5
4	8134702	PCB ASSEMBLY	000271~000490	i20NB	1
5	8134015	GASKET			1
6	1123305	LOCK NUT M3			4
7	8114710	TIMER			1
8	8114709	KEY SWITCH			1
	8114752	KEY			1
9	8134010	CONTROL PANEL	000165~000490	i20NB	1
10	8134014	CONTROL PANEL DECAL, i20NB	000165~000490	i20NB	1
11	1221512	SCREW M5×12			12
12	1021616	HEX BOLT M6 X 16			7
13	1421618	PLAIN WASHER M6× ϕ 18×1.6,SS			8
14	8114008	BRACKET, SQGE STORAGE			1
15	8310740	CIRCUIT BREAKER, 5A	000905~	i20NB	1
16	8134006	PLATE, CIRCUIT BREAKERS MNTG			1
17	8144025	LABEL, CIRCUIT BREAKER			1
18	8114005	CONNECTOR			1
19	1421510	FLAT WASHER M5× ϕ 10×1.0			3
20	1021630	HEX HEAD BOLT M6×30,SS			1
21	8014101	LIFTING ROPE SPACER			1
22	1021512	HEX HEAD BOLT M5×12,SS			2
23	1421515	FLAT WASHER M5× ϕ 15×1.0			5
24	8134013	CABLE, SQGE LIFT	000165~000490	i20NB	1
25	1021620	HEX HEAD BOLT M6×20,SS			2
26	8014012	BAFFLE			1
27	1123608	LOCK NUT M6			10
28	8134501	BRACKET			1
29	8134508	SLEEVE			1
30	1421132	FLAT WASHER M12× ϕ 32×1.5			2
31	8014010	SQUEEGEE LIFTING HANDLE			1
32	8113104	BALL KNOB M8			1
33	1121605	HEX NUT M6			2
34	1021840	HEX BOLT M8×40			2
35	1422821	LOCK WASHER M8			8
36	1421828	FLAT WASHER M8× ϕ 28×3			2
37	6210111	CLAMP, DRAIN HOSE	000165~101503	i20NB	1
38	1221515	PH SCREW M5×15			2
39	8114712	MICRO SWITCH			1
40	1434300	LOCK WASHER, TOOTH, M3			2
41	1021320	SCREW M3×20			2
42	8134022	BRACKET, SWITCH			1
43	8114402	BRACKET, SPRING			1
44	1521616	SCREW M6X16, HEX SCOKET			2
45	8114300	ACTUATOR			1

PARTS LIST

CONTROL CONSOLE GROUP (i20NB1.5)

DIA NO.	PART NUMBER	DESCRIPTION	SERIAL NUMBER	MACHINE TYPE	NO REQ'D
46	1534608	SET SCREW M6 ×8			4
47	1535630	SET SCREW M6 ×30			1
48	8114306	SPRING			1
49	8114101	SHAFT			1
50	8134300	LEVER, BAIL	000905~	i20NB	1
51	1123507	LOCK NUT M5			2
52	8134701	MAIN CONTROLLER	000271~000490	i20NB	1
53	8134021	REAR PLATE, CONTROL CONSOLE	000165~000490	i20NB	1
54	1421824	FLAT WASHER M8× 24×2			6
55	1021820	HEX BOLT M8×20			6
56	1221525	PH SCREW M5 X 25			2

CONTROL CONSOLE GROUP (i20NB2.0)



PARTS LIST

CONTROL CONSOLE GROUP (i20NB2.0)

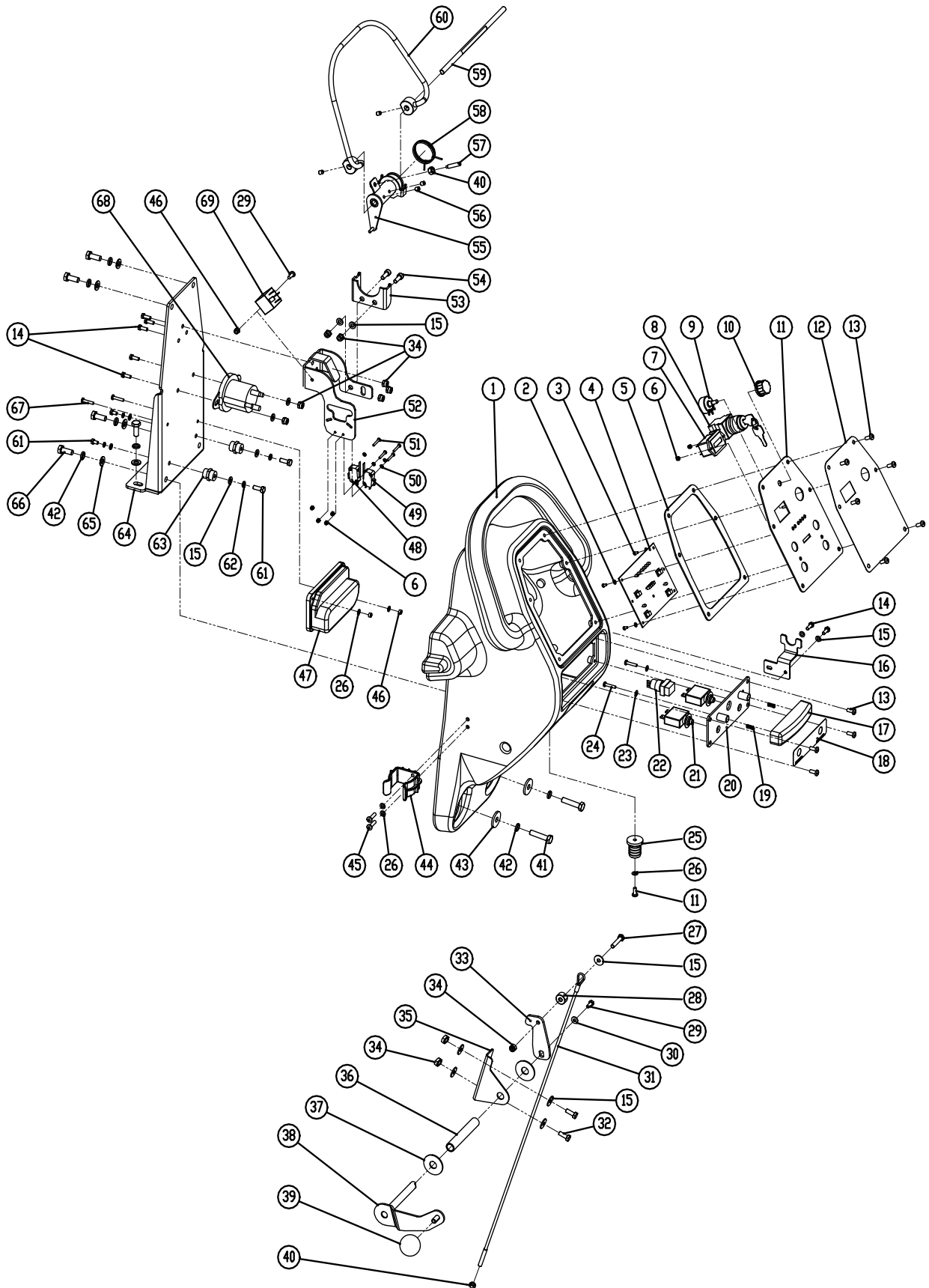
DIA NO.	PART NUMBER	DESCRIPTION	SERIAL NUMBER	MACHINE TYPE	NO REQ'D
1	8114709	KEY SWITCH			1
	8114752	KEY			1
2	8134724	CONTROL PANEL DECAL, i20NB	000694~	i20NB	1
3	1223512	SCREW M5×12			17
4	1422513	LOCK WASHER M5			6
5	1421510	FLAT WASHER M5×φ10×1.0			13
6	8134720	CONTROL PANEL, i20NB	000529~	i20NB	1
7	8134015	GASKET			1
8	8134734	CONTROL PANEL PCB, i20NB (AGM / EN)	000529~	i20NB	1
9	1221306	SCREW M3×6			7
10	8134005A	CONTROL HOUSING	000529~	i20NB	1
11	1021616	HEX BOLT M6 X 16			5
12	1421618	PLAIN WASHER M6×φ18×1.6,SS			10
13	8114008	BRACKET, SQGE STORAGE			1
14	8310740	CIRCUIT BREAKER, 5A	000529~	i20NB	1
15	8134006	PLATE, CIRCUIT BREAKERS MNTG			1
16	8144025	LABEL, CIRCUIT BREAKER			1
17	1221515	PH SCREW M5×15			4
18	1123507	LOCK NUT M5			4
19	1123305	LOCK NUT M3			4
20	8113010	BRACKET, CONNECTOR MTG			1
21	8113020	CONNECTOR			1
22	1434300	LOCK WASHER, TOOTH, M3			4
23	1211325	SCREW M3×25			2
24	8134060	PLATE, ON BOARD BATTERY CHARGER	000529~	i20NB	1
25	8134061	CLEAR COVER			1
26	1221512	SCREW M5×12			4
27	8132010-US	ON-BOARD CHARGER SPE 13-amp 24 volt,KIT	000165~000999	i20NB	1
	8132020-PC	ON BOARD CHARGER Pro CHARGING SYSTEM 13-AMP 24 VOLT (OPTION)	000165~000999	i20NB	
	8132015A	ON-BOARD CHARGER FLEXCHAR, PRESET Trojan CHARGING CUVE(OPTION),KIT	No record	i20NB	
28	8112030A	BATTERY CHARGER POWER CORD, KIT	000529~	i20NB	1
29	8134083	CONTROL BOX SEAL RING	101652~	i20NB	1
30	1421409	FLAT WASHERM4×φ9×0.8			6
31	8114005	CONNECTOR			1
32	1021840	HEX BOLT M8×40			2
33	1422821	LOCK WASHER M8			12
34	1421828	FLAT WASHER M8×φ28×3			2
35	1021630	HEX HEAD BOLT M6×30,SS			1
36	8134082	CABLE, SQGE LIFT	000529~	i20NB	1
37	8014101	LIFTING ROPE SPACER			1
38	1021610	HEX HEAD BOLT M6×10,SS			1
39	1421616	FLAT WASHER M6×φ16×1.0			1
40	1123608	LOCK NUT M6			3
41	8014012	BAFFLE			1
42	8113111	NYLON FLAT WASHER φ12.9×φ25.4×0.8			1

PARTS LIST

CONTROL CONSOLE GROUP (i20NB2.0)

DIA NO.	PART NUMBER	DESCRIPTION	SERIAL NUMBER	MACHINE TYPE	NO REQ'D
43	1121605	HEX NUT M6			2
44	8134501	BRACKET			1
45	8134081	SLEEVEE			1
46	1421132	FLAT WASHER M12×φ32×1.5			1
47	8134080	SQUEEGEE LIFTING HANDLE			1
48	8113104	BALL KNOB M8			1
49	1222641	SUNK HEAD SCREW M6 X 40			2
50	8210112	HOOK, POWER CORD			2
51	8014054	STRAIN RELIEF			1
52	6210111	CLAMP, DRAIN HOSE	000165~101503	i20NB	1
	6210120	CLAMP, DRAIN HOSE	101504~	i20NB	
53	1023612	HEX BOLT M6 X 12, COPPER			6
54	1422616	LOCK WASHER, M6			11
55	1423612	FLAT WASHER M6× φ12×1, COPPER			6
56	8134790	MAIN CONTROLLER, i20NB	000529~	i20NB	1
57	8134070	REAR PLATE, CONTROL CONSOLE	000529~	i20NB	1
58	1421824	FLAT WASHER M8× φ24×2			10
59	1021820	HEX BOLT M8×20			10
60	1221620	PH SCREW M6 X 20			2
61	8114712	MICRO SWITCH			1
62	1021320	SCREW M3 X 20			2
63	8134022	BRACKET, SWITCH			1
64	8114402	BRACKET, SPRING			1
65	1521616	SCREW M6X16, HEX SCOKET			2
66	1534608	SET SCREW M6 ×8			4
67	8134300	LEVER, BAIL	000529~	i20NB	1
68	8114300	ACTUATOR			1
69	8114306	SPRING			1
70	1535630	SET SCREW M6 ×30			1
71	8114101	SHAFT			1
72	1021512	HEX HEAD BOLT M5×12,SS			2
73	8134085	CONTROL BOX BACK SEALING RING	101666~	i20NB	1

CONTROL CONSOLE GROUP (i20NBT /i24BT1.0)



PARTS LIST

CONTROL CONSOLE GROUP (i20NB/i24BT1.0)

DIA NO.	PART NUMBER	DESCRIPTION	SERIAL NUMBER	MACHINE TYPE	NO REQ'D
1	8134001	CONTROL CONSOLE HOUSING	000187~000603	I20NBT	1
			000101~000288	i20NBT-OB	
			000139~000321	i24BT	
2	1421307	FLAT WASHER M3× ϕ 7×0.5	000101~		5
3	1221306	SCREW M3×6	000101~		5
4	8124701	PCB ASSEMBLY	000187~000603	I20NBT	1
			000101~000288	i20NBT-OB	
			000139~000321	i24BT	
5	8134015	GASLET	000101~		1
6	1123305	LOCK NUT M3	000101~		6
7	8114710	TIMER	000101~		1
8	8114709	KEY SWITCH	000101~		1
	8114752	KEY	000101~		1
9	8124717A	POTENTIOMETER, KIT	000101~		1
10	8124718	KNOB, POTENTIOMETER	000101~		1
11	8144010	CONTROL PANEL	000187~000603	I20NBT	1
			000101~000288	i20NBT-OB	
			000139~000321	i24BT	
12	8144014	CONTROL PANEL DECAL, i20NBT	000187~000628	I20NBT	1
			000101~000288	i20NBT-OB	
			No record	i24BT	
	8144015	CONTROL PANEL DECAL, i24BT	No record	I20NBT	
			000139~000321	i24BT	
13	1221512	SCREW M5×12	000101~		12
14	1021616	HEX BOLT M6 X 16	000101~		7
15	1421618	PLAIN WASHER M6× ϕ 18×1.6,SS	000101~		15
16	8114008	BRACKET, SQGE STORAGE	000101~		1
17	8124007	BUTTON,EMERGENCY STOP	000187~001030	I20NBT	1
			000101~000435	i20NBT-OB	
			000139~000532	i24BT	
18	8144022	LABEL, CIRCUIT BREAKER	000101~		1
19	8124008	SPRING	000187~001030	I20NBT	2
			000101~000435	i20NBT-OB	
			000139~000532	i24BT	
20	8144030	BASE, CIRCUIT BREAKERS MNTG	000187~001030	I20NBT	1
			000101~000435	i20NBT-OB	
			000139~000532	i24BT	
21	8114703	CIRCUIT BREAKER, 35A	000187~000603	I20NBT	3
			000101~000288	i20NBT-OB	
			000139~000321	i24BT	
22	8124715A	EMERGENCY STOP SWITCH, KIT	000187~001030	I20NBT	1
			000101~000435	i20NBT-OB	
			000139~000532	i24BT	
23	1421409	FLAT WASHER M4× ϕ 9×0.8	000101~		2
24	1221421	SCREW M4×20	000101~		2
25	8114005	CONNECTOR	000101~		1
26	1421510	FLAT WASHER M5× ϕ 10×1.0	000101~		5
27	1021630	HEX HEAD BOLT M6×30,SS	000101~		1

PARTS LIST

CONTROL CONSOLE GROUP (i20NB/i24BT1.0)

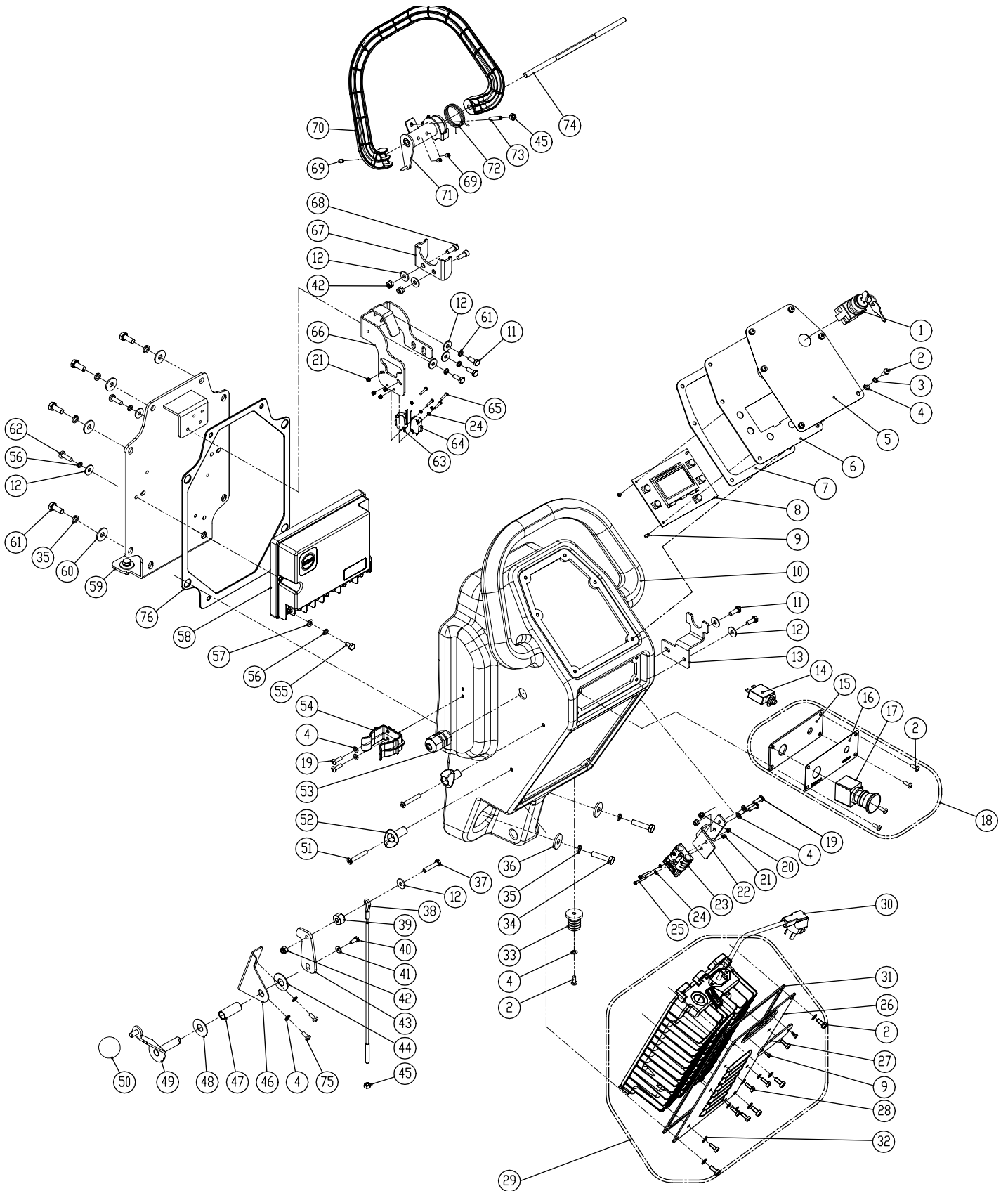
DIA NO.	PART NUMBER	DESCRIPTION	SERIAL NUMBER	MACHINE TYPE	NO REQ'D
28	8014101	LIFTING ROPE SPACER	000101~		1
29	1021512	HEX HEAD BOLT M5×12,SS	000101~		2
30	1421515	FLAT WASHER M5× φ 15×1.0	000101~		1
31	8134013	CABLE, SQGE LIFT	000101~		1
32	1021620	HEX HEAD BOLT M6×20,SS	000101~		2
33	8014012	BAFFLE	000101~		1
34	1123608	LOCK NUT M6	000101~		10
35	8134501	BRACKET	000101~		1
36	8134508	SLEEVE	000101~		1
37	1421132	FLAT WASHER M12× φ 32×1.5	000101~		2
38	8014010	SQUEEGEE LIFTING HANDLE	000101~		1
39	8113104	BALL KNOB M8	000101~		1
40	1121605	HEX NUT M6	000101~		2
41	1021840	HEX HEAD BOLT M8×40	000101~		2
42	1422821	LOCK WASHER M8	000101~		8
43	1421828	FLAT WASHER M8× φ 28×3	000101~		2
44	6210111	CLAMP, DRAIN HOSE	000187~101635	i20NB	1
			000101~100728	i20NB-OB	
			000139~100692	i24BT	
45	1221515	PAN HEAD SCREW M5×15	000101~		2
46	1123507	LOCK NUT M5	000101~		3
47	8124501	SPEED CONTROL BOARD	000187~000603	i20NB	1
			000101~000288	i20NB-OB	
			000139~000321	i24BT	
48	8124743	MICRO SWITCH	000101~		1
49	8114712	MICRO SWITCH	000101~		1
50	1434300	LOCK WASHER, TOOTH, M3	000101~		4
51	1021320	HEX HEAD SCREW M3×20	000101~		4
52	8134022	BRACKET, SWITCH	000101~		1
53	8114402	BRACKET, SPRING	000101~		1
54	1521616	SCREW M6X16, HEX SCOKET	000101~		2
55	8114300	ACTUATOR	000101~		1
56	1534608	SET SCREW M6 ×8	000101~		4
57	1535630	SET SCREW M6 ×30	000101~		1
58	8114306	SPRING	000101~		1
59	8114101	SHAFT	000101~		1
60	8134300	LEVER, BAIL	000681~	i20NB	1
			000294~	i20NB-OB	
			000433~	i24BT	
61	1021610	HEX HEAD BOLT M6 × 10	000101~		4
62	1422616	LOCK WASHER, M6	000101~		4
63	8114705	STAND-OFF, M6	000101~		2
64	8134021	REAR PLATE, CONTROL CONSOLE	000187~000603	i20NB	1
			000101~000288	i20NB-OB	
			000139~000321	i24BT	
65	1421824	FLAT WASHER M8× φ 24×2	000101~		6
66	1021820	HEX HEAD BOLT M8×20	000101~		6
67	1021535	HEX HEAD BOLT, M5 × 35	000101~		2

PARTS LIST

CONTROL CONSOLE GROUP (i20NBT/i24BT1.0)

DIA NO.	PART NUMBER	DESCRIPTION	SERIAL NUMBER	MACHINE TYPE	NO REQ'D
68	8124704	SOLENOID SWITCH	000187~000603	I20NBT	1
			000101~000288	i20NBT-OB	
			000139~000321	i24BT	
69	8114707	RELAY, 40A	000187~	I20NBT	1
			000101~	i20NBT-OB	
			000139~	i24BT	

CONTROL CONSOLE GROUP (i20NBT /i24BT2.0)



PARTS LIST

CONTROL CONSOLE GROUP (i20NBT /i24BT2.0)

DIA NO.	PART NUMBER	DESCRIPTION	SERIAL NUMBER	MACHINE TYPE	NO REQ'D	
1	8114709	KEY SWITCH			1	
	8114752	KEY			1	
2	1221512	SCREW M5×12			17	
3	1422513	LOCK WASHER M5			6	
4	1421510	FLAT WASHER M5×φ10×1.0			13	
5	8144724	CONTROL PANEL DECAL, i20NBT	000604~	I20NBT	1	
			000294~	i20NBT-OB		
	8144725	CONTROL PANEL DECAL, i24BT	No record	i24BT	1	
			No record	I20NBT		
6	8144720	CONTROL PANEL, i20NBT	000604~	I20NBT		1
			000294~	i20NBT-OB		
8	8144795	CONTROL PANEL PCB, i20NBT (AGM / EN)	No record	i24BT	1	
			000681~	I20NBT		
	8144797	CONTROL PANEL PCB, i20NBT (WET FLOODED / EN)	No record	I20NBT		
			No record	i24BT		
7	8134015	GASKET	000101~		1	
9	1221306	SCREW M3×6	000101~		7	
10	8134005A	CONTROL HOUSING, i20NB	000681~	I20NBT	1	
			000294~	i20NBT-OB		
			000433~	i24BT		
11	1021616	HEX BOLT M6 X 16			5	
12	1421618	PLAIN WASHER M6×φ18×1.6,SS			10	
13	8114008	BRACKET, SQGE STORAGE			1	
14	8310740	CIRCUIT BREAKER, 5A	000681~	I20NBT	1	
			000294~	i20NBT-OB		
			000433~	i24BT		
15	8134007	BASE, EMERGENCY STOP SWITCH	001031~	I20NBT	1	
			000436~	i20NBT-OB		
			000533~	i24BT		
16	8144027	LABEL, EMERGENCY STOP SWITCH	001031~	I20NBT	1	
			000436~	i20NBT-OB		
			000533~	i24BT		
17	8310707	BUTTON,EMERGENCY STOP	001031~	I20NBT	1	
			000436~	i20NBT-OB		
			000533~	i24BT		
18	8124710	EMERGENCY STOP SWITCH KIT			1	
19	1221515	PH SCREW M5×15			4	
20	1123507	LOCK NUT M5			6	
21	1123305	LOCK NUT M3			6	
22	8113030	BRACKET, CONNECTOR MTG			1	
23	8134750	CONNECTOR, GRID, BLUE			1	
24	1434300	LOCK WASHER, TOOTH, M3			6	
25	1211325	SCREW M3×25			2	

PARTS LIST

CONTROL CONSOLE GROUP (i20NBT / i24BT2.0)

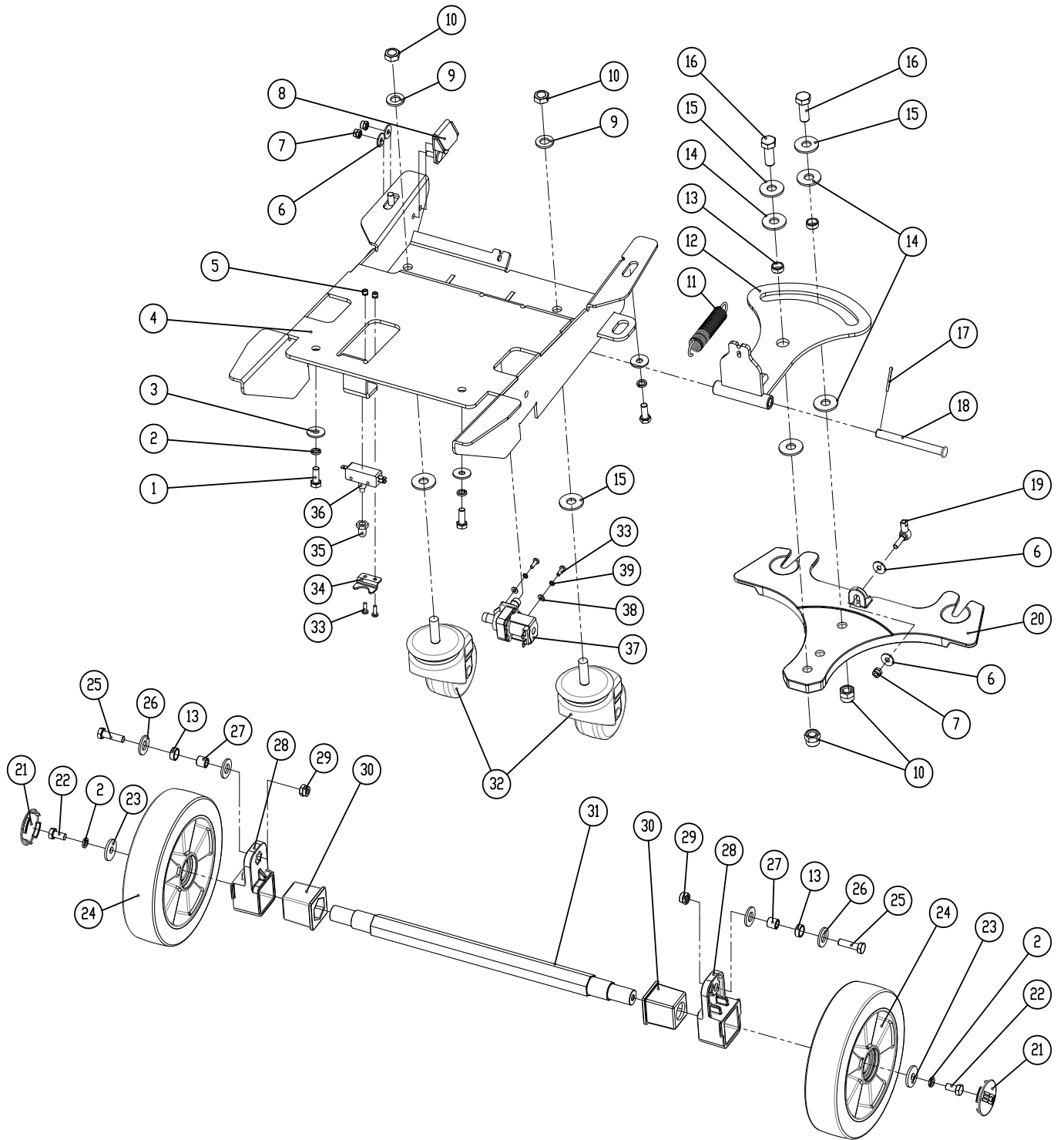
DIA NO.	PART NUMBER	DESCRIPTION	SERIAL NUMBER	MACHINE TYPE	NO REQ'D
26	8134060	PLATE, ON BOARD BATTERY CHARGER	000681~	i20NBT	1
			000294~	i20NBT-OB	
			000433~	i24BT	
27	8134061	CLEAR COVER			1
28	1221412	SCREW M4×12			4
29	8132020-PC	ON BOARD CHARGER Pro CHARGING SYSTEM 13-AMP 24 VOLT, KIT (OPTION)	000187~000850	i20NBT	1
			000101~000410	i20NBT-OB	
			000139~000482	i24BT	
30	8112030A	BATTERY CHARGER POWER CORD, KIT	000681~	i20NBT	1
			000294~	i20NBT-OB	
			000433~	i24BT	
31	8132020-PCK	24 VOLT 13AMP ONBOARD CHARGER (PRO-CHARGING) WITH MOUNTING PLATE AND BRACKET	000101~000528	i20NB	1
			000101~000630	i20NBT	
			000101~000293	i20NBT-OB	
			000101~000320	i24BT	
32	1421409	FLAT WASHERM4×φ9×0.8			6
33	8114005	CONNECTOR			1
34	1021840	HEX BOLT M8×40			2
35	1422821	LOCK WASHER M8			12
36	1421828	FLAT WASHER M8×φ28×3			2
37	1021630	HEX HEAD BOLT M6×30,SS			1
38	8134082	CABLE, SQGE LIFT	000681~	i20NBT	1
			000294~	i20NBT-OB	
			000433~	i24BT	
39	8014101	LIFTING ROPE SPACER			1
40	1021610	HEX HEAD BOLT M6×10,SS			1
41	1421616	FLAT WASHER M6×φ16×1.0			1
42	1123608	LOCK NUT M6			3
43	8014012	BAFFLE			1
44	8113111	NYLON FLAT WASHER φ12.9×φ25.4×0.8			1
45	1121605	HEX NUT M6			2
46	8134501	BRACKET			1
47	8134081	SLEEVEE			1
48	1421132	FLAT WASHER M12×φ32×1.5			1
49	8134080	SQUEEGEE LIFTING HANDLE			1
50	8113104	BALL KNOB M8			1
51	1222641	SUNK HEAD SCREW M6 X 40			2
52	8210112	HOOK, POWER CORD			2
53	8014054	STRAIN RELIEF			1
54	6210111	CLAMP, DRAIN HOSE	000187~101635	i20NBT	1
			000101~100728	i20NBT-OB	
			000139~100692	i24BT	
55	1023612	HEX BOLT M6 X 12, COPPER			8
56	1422616	LOCK WASHER, M6			13
57	1423612	FLAT WASHER M6× φ12×1, COPPER			8
58	8144790	MAIN CONTROLLER, i20NBT	000604~	i20NBT	1
			000294~	i20NBT-OB	
			000321~	i24BT	

PARTS LIST

CONTROL CONSOLE GROUP (i20NBT / i24BT2.0)

DIA NO.	PART NUMBER	DESCRIPTION	SERIAL NUMBER	MACHINE TYPE	NO REQ'D
59	8134070	REAR PLATE, CONTROL CONSOLE	000681~	I20NBT	1
			000294~	i20NBT-OB	
			000433~	i24BT	
60	1421824	FLAT WASHER M8× φ24×2			10
61	1021820	HEX BOLT M8×20			10
62	1221620	PH SCREW M6×20			2
63	8114712	MICRO SWITCH			1
64	8124743	MICRO SWITCH			1
65	1021320	SCREW M3 X 20			4
66	8134022	BRACKET, SWITCH			1
67	8114402	BRACKET, SPRING			1
68	1521616	SCREW M6X16, HEX SCOKET			2
69	1534608	SET SCREW M6 ×8			4
70	8134300	LEVER, BAIL	000681~	I20NBT	1
			000294~	i20NBT-OB	
			000433~	i24BT	
71	8114300	ACTUATOR			1
72	8114306	SPRING			1
73	1535630	SET SCREW M6 ×30			1
74	8114101	SHAFT			1
75	1021512	HEX HEAD BOLT M5×12,SS			2
76	8134085	CONTROL BOX BACK SEALING RING	102014~	I20NBT	1
			100917~	i20NBT-OB	
			100882~	i24BT	
77	8134083	CONTROL BOX SEAL RING	101959~	I20NBT	1
			100841~	i20NBT-OB	
			100868~	i24BT	

FRAME & WHEEL GROUP (i20NB1.0)



PARTS LIST

FRAME & WHEEL GROUP (i20NB1.0)

DIA NO.	PART NUMBER	DESCRIPTION	SERIAL NUMBER	MACHINE TYPE	NO REQ'D
1	1021820	HEX HEAD BOLT M8×20	000101~		4
2	1422821	LOCK WASHER M8	000101~		6
3	1421824	FLAT WASHER M8× ϕ 24×2	000101~		4
4	8135100	MAIN FRAME	000165~000490	i20NB	1
5	1123406	LOCK NUT M4	000101~		2
6	1421618	FLAT WASHER M6× ϕ 18×1.6	000101~		4
7	1123608	LOCK NUT M6	000101~		3
8	8115300	BRACKET, PEDAL LOCKING	000101~		1
9	1421124	FLAT WASHER M12× ϕ 24×2.5	000101~		2
10	1123115	LOCK NUT M12	000101~		4
11	8115004	SPIRNG	000101~		1
12	8135010	BRACKET, SQGE LIFT	000101~		1
13	8115405	SLEEVE, P/M	000101~		4
14	8135001	PLASTIC THRUST WASHER M12× ϕ 30×1.5	000101~		4
15	1421132	FLAT WASHER M12× ϕ 32×1.5	000101~		4
16	1021230	HEX HEAD BOLT M12 ×30	000101~		2
17	1645324	COTTER 3.2 ×24	000101~		1
18	8115003	PIN	000101~		1
19	8114511	BALL JOINT M6	000101~		1
20	8115001	BRACKET, SQGE MNTG	000101~		1
21	8115203	COVER, WHEEL	000101~		2
22	1021816	HEX HEAD BOLT M8×16	000101~		2
23	1421828	FLAT WASHER M8× ϕ 28×3	000101~		2
24	8115200	WHEEL, 8 INCH	000165~	i20NB	2
25	1021835	HEX HEAD BOLT M8×35	*		2
26	8117007	NYLON WASHER ϕ 12.9× ϕ 24×2.5	*		4
27	8115404	BEARING, JOURNAL	*		2
28	8115402	ADAPTER, AXLE MNTG	000165~000490	i20NB	2
29	1123810	LOCK NUT M8	*		2
30	8115403	GROMMENT, AXLE	*		2
31	8135401	AXLE, WHEEL	*		1
32	8115500	CASTER, SWIVEL, 80MM	000101~		2
33	1221412	PAN HEAD SCREW M4×12	*		4
34	8115009	BRACKET	*		1
35	8115008	CAP, MICRO SWITCH, 3/8	*		1
36	8115007	MICRO SWITCH 25A	000165~000490	i20NB	1
37	8119003	SOLENOID VALVE, 24VDC	000165~	i20NB	1

PARTS LIST

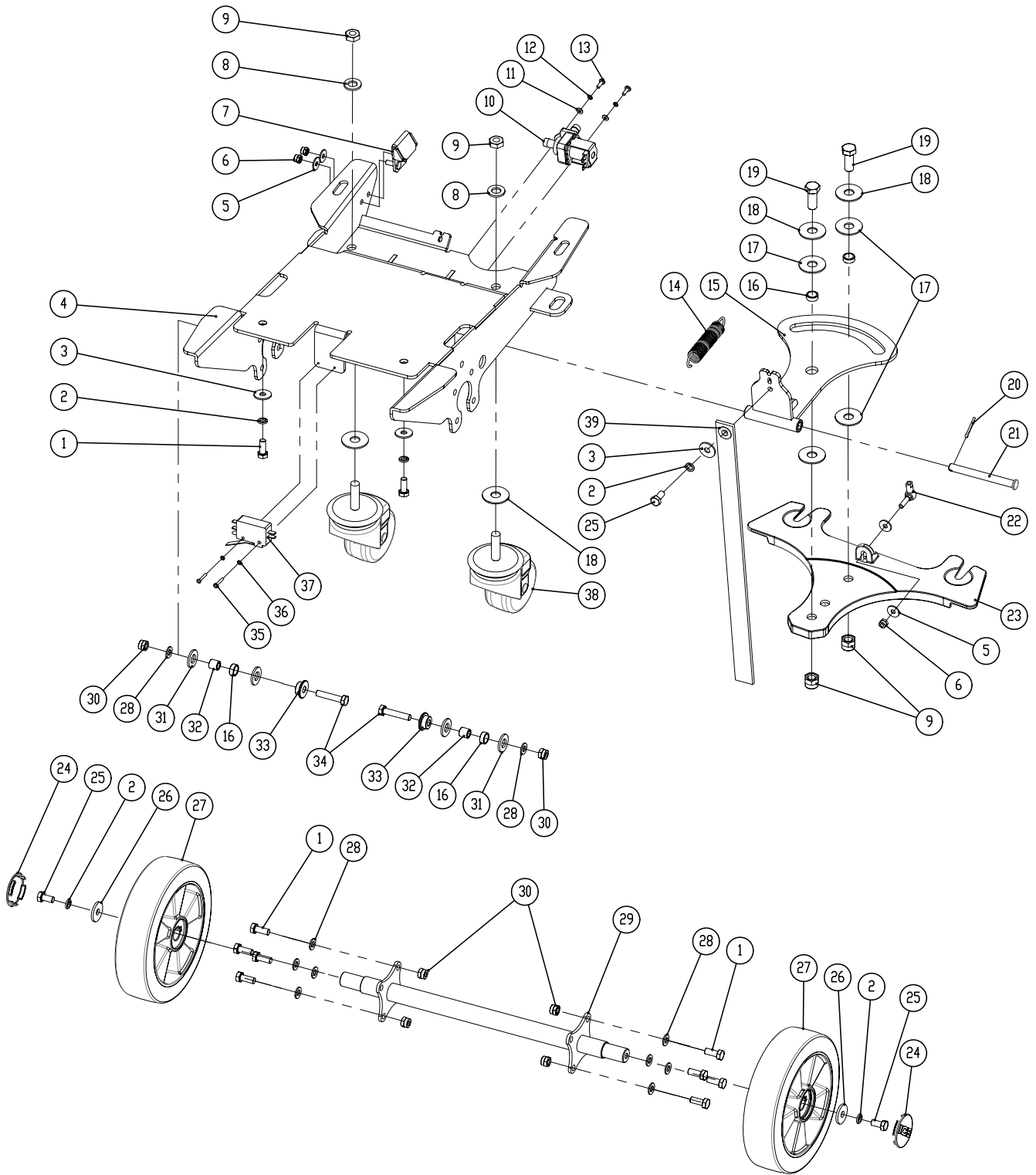
FRAME & WHEEL GROUP (i20NB1.0)

DIA NO.	PART NUMBER	DESCRIPTION	SERIAL NUMBER	MACHINE TYPE	NO REQ'D
38	1421409	FLAT WASHER M4× ϕ 9×0.8	000101~		2
39	1422411	LOCK WASHER M4	000101~		2

NOTES:

1、Parts marked * in the serial number column have the same serial number switching time as the DIA NO "28".

FRAME & WHEEL GROUP (i20NB2.0)



PARTS LIST

FRAME & WHEEL GROUP (i20NB2.0)

DIA NO.	PART NUMBER	DESCRIPTION	SERIAL NUMBER	MACHINE TYPE	NO REQ'D
1	1021820	HEX BOLT M8×20			12
2	1422821	LOCK WASHER M8			7
3	1421824	FLAT WASHER M8×φ24×2			5
4	8145100	MAIN FRAME	000433~	i20NB	1
5	1421618	FLAT WASHER M6×φ18×1.6			4
6	1123608	LOCK NUT M6			3
7	8115300	BRACKET, PEDAL LOCKING			1
8	1421124	FLAT WASHER M12×φ24×2.5			4
9	1123115	LOCK NUT M12			4
10	8119003	SOLENOID VALVE, 24VDC	000165~	i20NB	1
11	1421409	FLAT WASHER M4×φ9×0.8			2
12	1422411	LOCK WASHER M4			2
13	1221412	SCREW M4×12			4
14	8115004	SPIRNG			1
15	8135010	BRACKET, SQGE LIFT			1
16	8115005	AXLE SLEEVE			2
17	8135001	PLASTIC THRUST WASHER M12×φ30×1.5			4
18	1421132	FLAT WASHER M12×φ32×1.5			4
19	1021230	HEX BOLT M12 ×30			2
20	1645324	COTTER 3.2 ×24			1
21	8115003	PIN			1
22	8114511	BALL JOINT M6			1
23	8115001	BRACKET, SQGE MNTG			1
24	8115203	COVER, WHEEL			2
25	1021816	HEX BOLT M8×16			3
26	1421828	FLAT WASHER M8×φ28×3			2
27	8115200	WHEEL, 8 INCH	000165~	i20NB	2
	1612607	BALL BEARING, 6004LU			4
28	1421816	FLAT WASHER M8×φ16×1.6	*		10
29	8135405	SHAFT	000433~	i20NB	1
30	1123810	LOCK NUT M8	*		10
31	8117007	NYLON WASHER φ12.9×φ24×2.5	*		4
32	8115404	BEARING, JOURNAL	*		2
33	8145001	BUSHING	*		2
34	1021840	HEX BOLT M8 ×40	*		2
35	1211325	SCREW M3×25			2

PARTS LIST

FRAME & WHEEL GROUP (i20NB2.0)

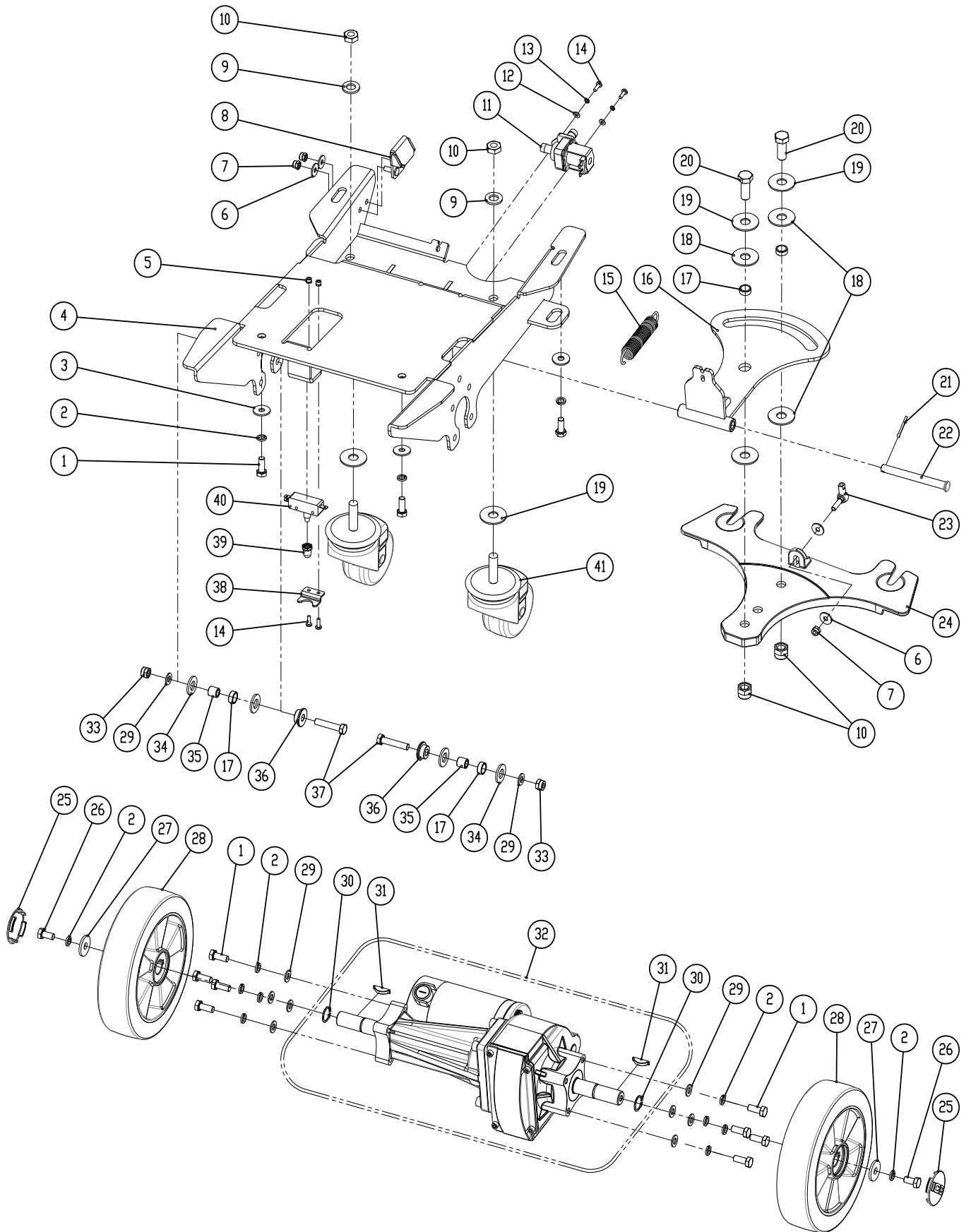
DIA NO.	PART NUMBER	DESCRIPTION	SERIAL NUMBER	MACHINE TYPE	NO REQ'D
36	1434300	LOCK WASHER, TOOTH, M3			2
37	8014071	MICRO SWITCH 20A	000433~	i20NB	1
38	8115500	CASTER, SWIVEL, 80MM			2
39	8115405	SLEEVE, P/M	000165~	i20NB	2

NOTES:

1. Parts marked * in the serial number column have the same serial number switching time as the DIA NO "29".

PARTS LIST

FRAME & TRANSAXLE GROUP (i20NBT /i24BT1.0)



PARTS LIST

FRAME & TRANSAXLE GROUP (i20NBT/i24BT1.0)

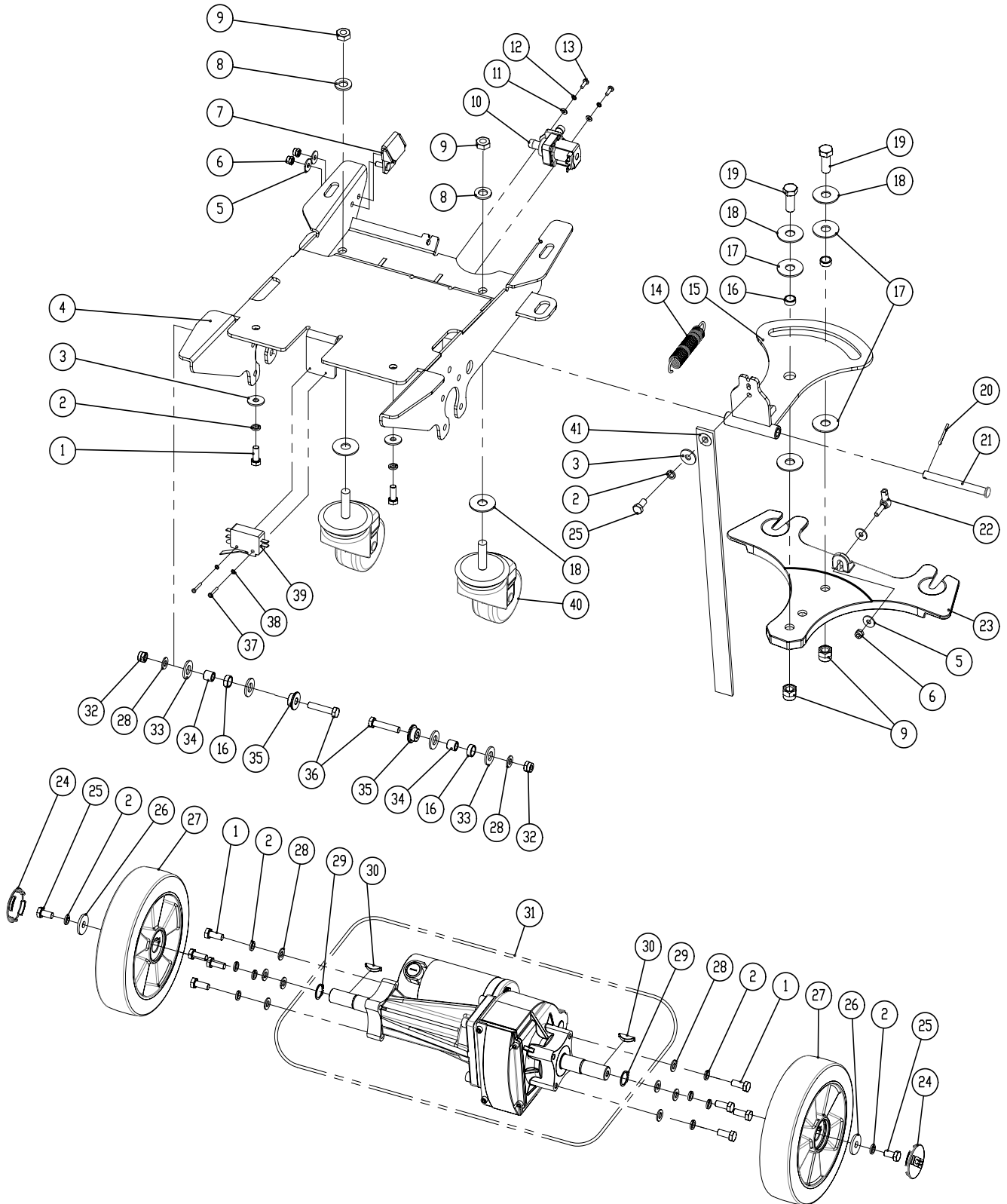
DIA NO.	PART NUMBER	DESCRIPTION	SERIAL NUMBER	MACHINE TYPE	NO REQ'D
1	1021820	HEX HEAD BOLT M8×20	000101~		12
2	1422821	LOCK WASHER M8	000101~		14
3	1421824	FLAT WASHER M8× ϕ 24×2	000101~		4
4	8145100	MAIN FRAME	000187~	i20NBT	1
			000101~	i20NBT-OB	
			000139~	i24BT	
5	1123406	LOCK NUT M4	000101~		2
6	1421618	FLAT WASHER M6× ϕ 18×1.6	000101~		4
7	1123608	LOCK NUT M6	000101~		3
8	8115300	BRACKET, PEDAL LOCKING	000101~		1
9	1421124	FLAT WASHER M12× ϕ 24×2.5	000101~		4
10	1123115	LOCK NUT M12	000101~		4
11	8119003	SOLENOID VALVE, 24VDC	000187~	i20NBT	1
			000101~	i20NBT-OB	
			000139~	i24BT	
12	1421409	FLAT WASHER M4× ϕ 9×0.8	000101~		2
13	1422411	LOCK WASHER M4	000101~		2
14	1221412	PAN HEAD SCREW M4×12	000101~		4
15	8115004	SPIRNG	000101~		1
16	8135010	BRACKET, SQGE LIFT	000101~		1
17	8115405	SLEEVE, P/M	000101~		4
18	8135001	PLASTIC THRUST WASHER M12× ϕ 30×1.5	000101~		4
19	1421132	FLAT WASHER M12× ϕ 32×1.5	000101~		4
20	1021230	HEX HEAD BOLT M12 ×30	000101~		2
21	1645324	COTTER 3.2 ×24	000101~		1
22	8115003	PIN	000101~		1
23	8114511	BALL JOINT M6	000101~		1
24	8115001	BRACKET, SQGE MNTG	000101~		1
25	8115203	COVER, WHEEL	000101~		2
26	1021816	HEX HEAD BOLT M8×16	000101~		2
27	1421828	FLAT WASHER M8× ϕ 28×3	000101~		2
28	8125200	WHEEL, 8 INCH	000187~	i20NBT	2
			000101~	i20NBT-OB	
			000139~	i24BT	
29	1421816	FLAT WASHER M8× ϕ 16×1.6	000101~		10
30	1436019	RETAINING RING 19	000101~		2
31	8125403	WOODRUFF KEY	000101~		2
32	8125410	TRANSAXLE, KIT	000187~101887 102107~	i20NBT	1
			000101~100808 100955~	i20NBT-OB	
			000139~100846 100942~	i24BT	
	8116011	CARBON BRUSH, DRIVE MOTOR			2
33	1123810	LOCK NUT M8	000101~		2
34	8117007	NYLON WASHER ϕ 12.9× ϕ 24×2.5	000101~		4
35	8115404	BEARING, JOURNAL	000101~		2
36	8145001	BUSHING	000101~		2

PARTS LIST

FRAME & TRANSAXLE GROUP (i20NBT/i24BT1.0)

DIA NO.	PART NUMBER	DESCRIPTION	SERIAL NUMBER	MACHINE TYPE	NO REQ'D
37	1021840	HEX HEAD BOLT M8 ×40	000101~		2
38	8115009	BRACKET	000187~	I20NBT	1
			000101~	i20NBT-OB	
			000139~	i24BT	
39	8115008	CAP, MICRO SWITCH, 3/8	000187~000279	I20NBT	1
			000101~000222	i20NBT-OB	
			000139~000490	i24BT	
40	8115007	MICRO SWITCH 25A	000187~000394	I20NBT	1
			000101~000170	i20NBT-OB	
			000139~No record	i24BT	
41	8115500	CASTER, SWIVEL, 80MM	000101~		2

FRAME & TRANSAXLE GROUP (i20NBT /i24BT2.0)



PARTS LIST

FRAME & TRANSAXLE GROUP (i20NBT /i24BT2.0)

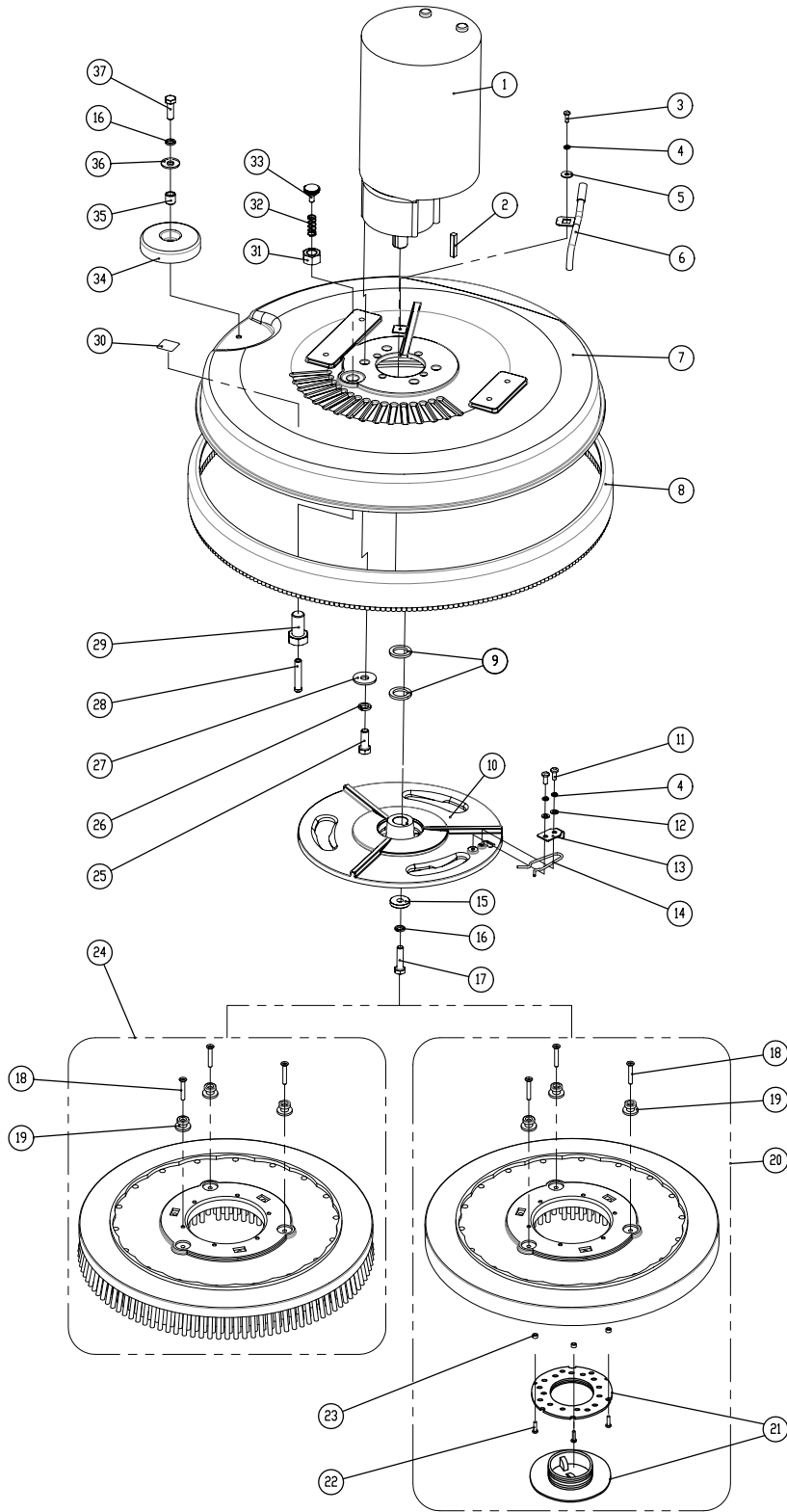
DIA NO.	PART NUMBER	DESCRIPTION	SERIAL NUMBER	MACHINE TYPE	NO REQ'D
1	1021820	HEX BOLT M8×20			12
2	1422821	LOCK WASHER M8			15
3	1421824	FLAT WASHER M8×φ24×2			5
4	8145100	MAIN FRAME	000187~	I20NBT	1
			000101~	i20NBT-OB	
			000139~	i24BT	
5	1421618	FLAT WASHER M6×φ18×1.6			4
6	1123608	LOCK NUT M6			3
7	8115300	BRACKET, PEDAL LOCKING			1
8	1421124	FLAT WASHER M12×φ24×2.5			4
9	1123115	LOCK NUT M12			4
10	8119003	SOLENOID VALVE, 24VDC	000187~	I20NBT	1
			000101~	i20NBT-OB	
			000139~	i24BT	
11	1421409	FLAT WASHER M4×φ9×0.8			2
12	1422411	LOCK WASHER M4			2
13	1221412	SCREW M4×12			4
14	8115004	SPIRNG			1
15	8135010	BRACKET, SQGE LIFT			1
16	8115005	AXLE SLEEVE			2
17	8135001	PLASTIC THRUST WASHER M12×φ30×1.5			4
18	1421132	FLAT WASHER M12×φ32×1.5			4
19	1021230	HEX BOLT M12 ×30			2
20	1645324	COTTER 3.2 ×24			1
21	8115003	PIN			1
22	8114511	BALL JOINT M6			1
23	8115001	BRACKET, SQGE MNTG			1
24	8115203	COVER, WHEEL			2
25	1021816	HEX BOLT M8×16			3
26	1421828	FLAT WASHER M8×φ28×3			2
27	8125200	WHEEL, 8 INCH	000187~	I20NBT	2
			000101~	i20NBT-OB	
			000139~	i24BT	
28	1421816	FLAT WASHER M8×φ16×1.6			10
29	1436019	RETAINING RING 19			2
30	8125403	WOODRUFF KEY			2
31	8125410	TRANSAXLE, KIT	000187~101887 102107~	I20NBT	1
			000101~100808 100955~	i20NBT-OB	
			000139~100846 100942~	i24BT	
	8125403	SEMICIRCULAR FLAT KEY			2
	8116011	CARBON BRUSH, DRIVE MOTOR			2

PARTS LIST

FRAME & TRANSAXLE GROUP (i20NBT /i24BT2.0)

DIA NO.	PART NUMBER	DESCRIPTION	SERIAL NUMBER	MACHINE TYPE	NO REQ'D
31	8125408	TRANSAXLE, KIT	101888~102106	I20NBT	1
			100809~100954	i20NBT-OB	
			100847~100941	i24BT	
	8125409	FLAT KEY			2
	8116111	CARBON BRUSH, DRIVE MOTOR			2
32	1123810	LOCK NUT M8			10
33	8117007	NYLON WASHER $\phi 12.9 \times \phi 24 \times 2.5$			4
34	8115404	BEARING, JOURNAL			2
35	8145001	BUSHING			2
36	1021840	HEX BOLT M8 x40			2
37	1211325	SCREW M3x25			2
38	1434300	LOCK WASHER, TOOTH, M3			2
39	8014071	MICRO SWITCH 20A	000404~	I20NBT	1
			000171~	i20NBT-OB	
			000272~	i24BT	
40	8115500	CASTER, SWIVEL, 80MM			2
41	8115405	SLEEVE,PM	000187~	I20NBT	2
			000101~	i20NBT-OB	
			000139~	i24BT	

SCRUB HEAD GROUP (i20NB / i20NBT)



PARTS LIST

SCRUB HEAD GROUP (i20NB / i20NBT)

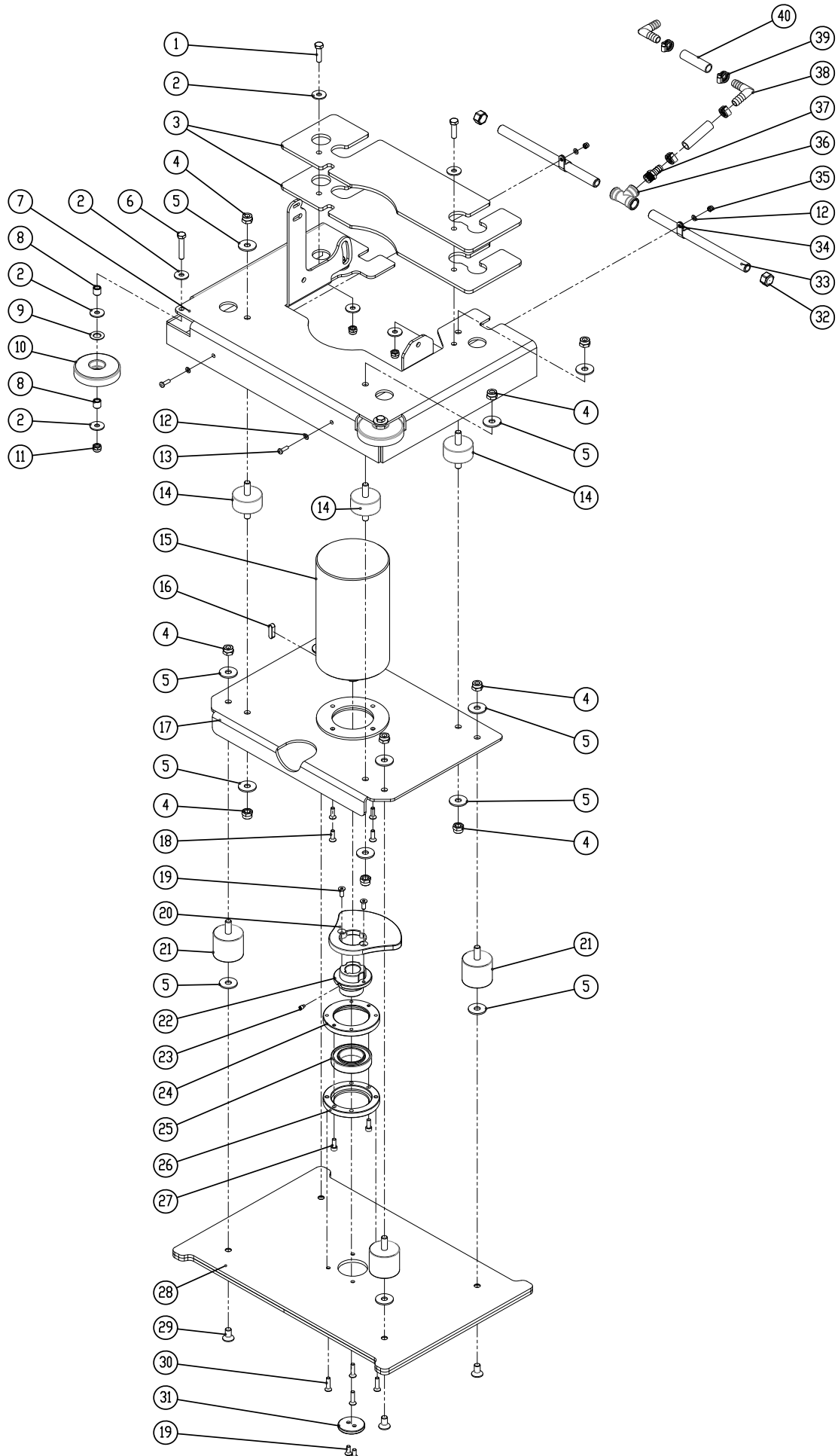
DIA NO.	PART NUMBER	DESCRIPTION	SERIAL NUMBER	MACHINE TYPE	NO REQ'D
1	8116200	BRUSH MOTOR, 24VDC 1.0HP, KIT	000101~		1
	8116007	BRUSH MOTOR CARBON BRUSH	000101~		2
2	1656432	KEY	No record	I20NB	1
			No record	I20NBT	
	000985~		I20NB		
	000831~		I20NBT		
3	1221412	SCREW M4×12	000101~		1
4	1422513	LOCK WASHER M5	000101~		3
5	1421518	FLAT WASHER M5×φ18×2	000101~		1
6	8116100	WATER SUPPLY TUBE	000101~		1
7	8116006	SCRUB HEAD HOUSING	000101~		1
8	8116020	BUMPER, SCRUB HEAD	000101~		1
9	8116001	SPACER	000101~		2
10	8116008	HUB, DRIVE, 3 LUG	000101~		1
11	1221512	SCREW M5×12	000101~		2
12	1421510	FLAT WASHER M5×φ10×1	000101~		2
13	8116002	BRUSH CLAMP PLATE	000101~		1
14	8116003	SPRING CLIP	000101~		1
15	8116010	FLAT WASHER φ8.5×φ25.4×4.5	000101~		1
16	1422821	LOCK WASHER M8	000101~		2
17	1023815	HEX BOLT 5/16-18 ×1.5" UNC	000101~		1
18	1222635	SCREW, M6X35	000101~		6
19	8116030	STUD	000101~		6
20	9040019	19" PAD DRIVER	000101~		1
	9040019K	19" PAD DRIVER (OPTION)	000101~		1
21	9000001	BIG MOUTH	000101~		1
	9000003	CENTER-LOK 3 (OPTION)	000101~		1
22	1321325	SELF-TAPPING SCREW, ST4.8X25	000101~		3
23	8116040	SPACER	000101~		3
24	9050020	20" BRUSH, 0.7mm PP BRISTLE (OPTION)	000101~		1
	9050020E	20" BRUSH, 0.5mm PP BRISTLE (OPTION)	000101~		1
	9050020P	20" BRUSH, SOFT-WHITE (OPTION)	000101~		
25	1023010	HEX BOLT 3/8-16 ×1" UNC	000101~		4
26	1422026	LOCK WASHER M10	000101~		4
27	1421030	FLAT WASHER M10×φ30×2.5	000101~		4
28	8116202	PIN	000101~		1
29	8116205	SCREW M14 × 20	000101~		1
30	8111023	WARNING LABEL	000101~		1
31	1121913	HEX NUT M14	000101~		1
32	8116204	SRPING	000101~		1
33	8116210	KNOB M6	000101~		1
34	8116009	PROTECTIVE WHEEL	000101~		1

PARTS LIST

SCRUB HEAD GROUP (i20NB / i20NBT)

DIA NO.	PART NUMBER	DESCRIPTION	SERIAL NUMBER	MACHINE TYPE	NO REQ'D
35	8115404	SLEEVE, P/M	000101~		1
36	1421824	FLAT WASHER M8× ϕ 24×2.0	000101~		1
37	1021825	HEX BOLT M8×25	000101~		1

SCRUB HEAD GROUP (i20NBT-OB1.0)

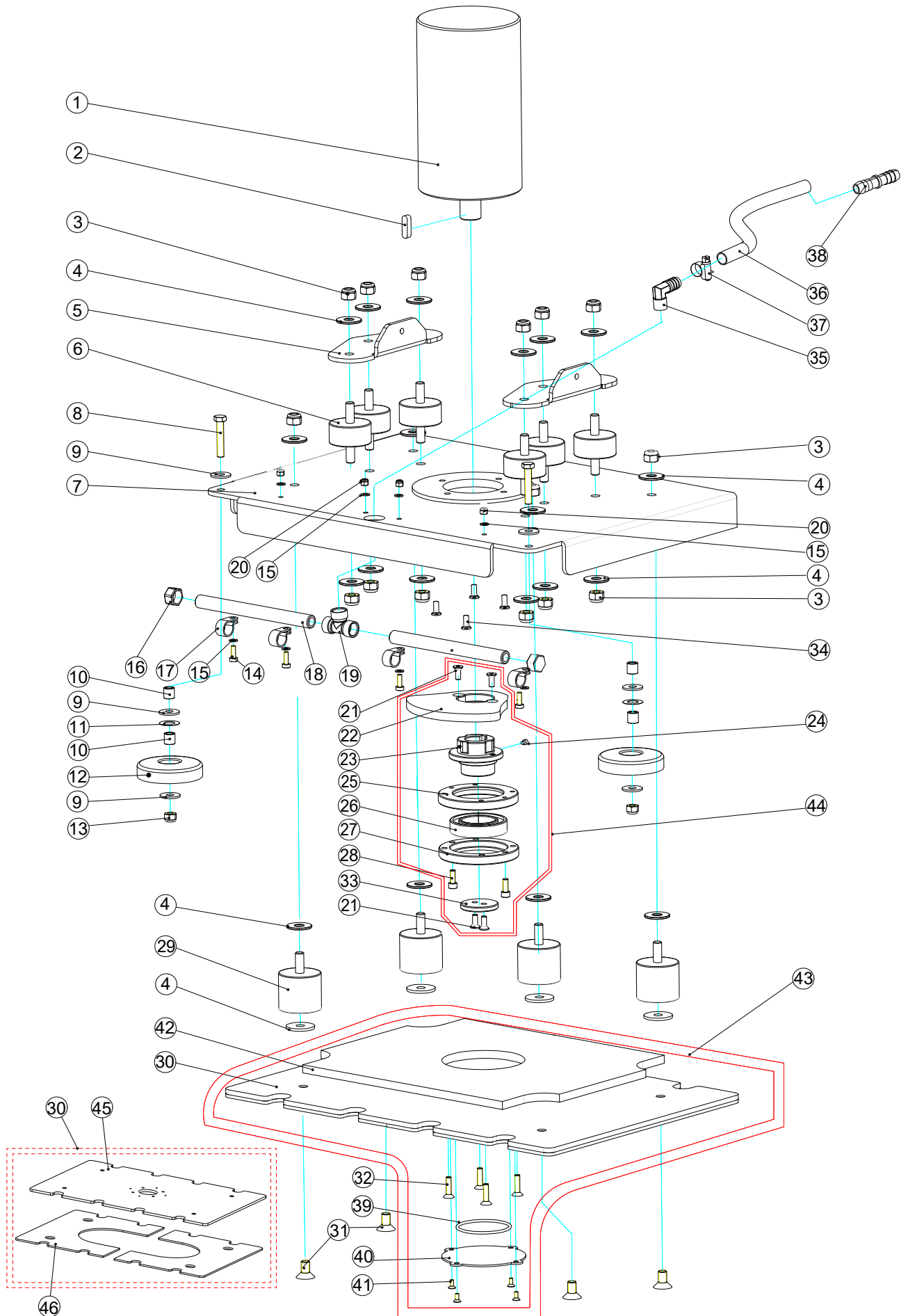


PARTS LIST

ORBITAL HEAD GROUP (i20NBT-OB1.0)

DIA NO.	PART NUMBER	DESCRIPTION	SERIAL NUMBER	MACHINE TYPE	NO REQ'D
1	1021830	HEX BOLT M8×30	000101~		2
2	1421824	FLAT WASHER M8× ϕ 24×2.0	000101~		10
3	8146106	BLOCK, WEIGHT	000101~000130	i20NBT-OB	2
4	1123012	LOCK NUT, M10	000101~		12
5	1421030	FLAT WASHER M10× ϕ 30×2.5	000101~		16
6	1022845	HEX BOLT M8×45	000101~		2
7	8146101	BRACKET, ORBITAL HEAD	000101~000288	i20NBT-OB	1
8	8115404	BEARING, JOURNAL	000101~		4
9	1435013	WAVE WASHER	000101~		2
10	8116009	PROTECTIVE WHEEL	000101~		2
11	1123810	LOCK NUT, M8	000101~		4
12	1421510	FLAT WASHER M5× ϕ 10×1.0	000101~		4
13	1221515	SCREW M5×15	000101~		2
14	8146116	ISOLATORS, M10×25	000101~		4
15	8146199	MOTOR, 24VDC 550W 2200RPM, KIT	000101~		1
16	8146110	KEY, 8×7×28	000101~		1
17	8146102	BRACKET, MOTOR MOUNTING	000101~000288	i20NBT-OB	1
18	1513620	HEX SOCKET SCREW, M6×20	000101~		4
19	1513616	HEX SOCKET SCREW, M6×16	000101~		4
20	8146202	ECCENTRIC	000101~		1
21	8146107	ISOLATORS, M10×25	000101~		4
22	8146201	ECCENTRIC SHAFT	000101~		1
23	1535610	SET SCREW, M6×10	000101~		1
24	8146204	BEARING HOUSING	000101~		1
25	1612608	BALL BEARING 6008	000101~		1
26	8146203	BEARING HOUSING	000101~		1
27	1521616	HEX SOCKET BOLT M6×16	000101~		2
28	8146103	PAD DRIVER	000101~		1
29	1513020	HEX SOCKET SCREW, M10×20	000101~		4
30	1513625	HEX SOCKET SCREW, M6×25	000101~		4
31	8146205	PLATE	000101~		1
32	8146303	END CAP 3/8	000101~		2
33	8146302	PVC TUBING	000101~		2
34	8146305	PLASTIC CLAMP	000101~		2
35	1123507	LOCK NUT M5	000101~		2
36	8146301	TEE FITTING 3/8	000101~		1
37	8013007	TUBING FITTING	000101~		1
38	8119002	ELBOW, TUBING BARB	000101~101019	i20NBT-OB	2
39	1962016	CLAMP	000101~101019	i20NBT-OB	4
40	8146320	TUBING, ID=12mm, l=60mm	000101~101019	i20NBT-OB	2

ORBITAL HEAD GROUP (i20NBT-OB2.0)



PARTS LIST

ORBITAL HEAD GROUP (i20NBT-OB2.0)

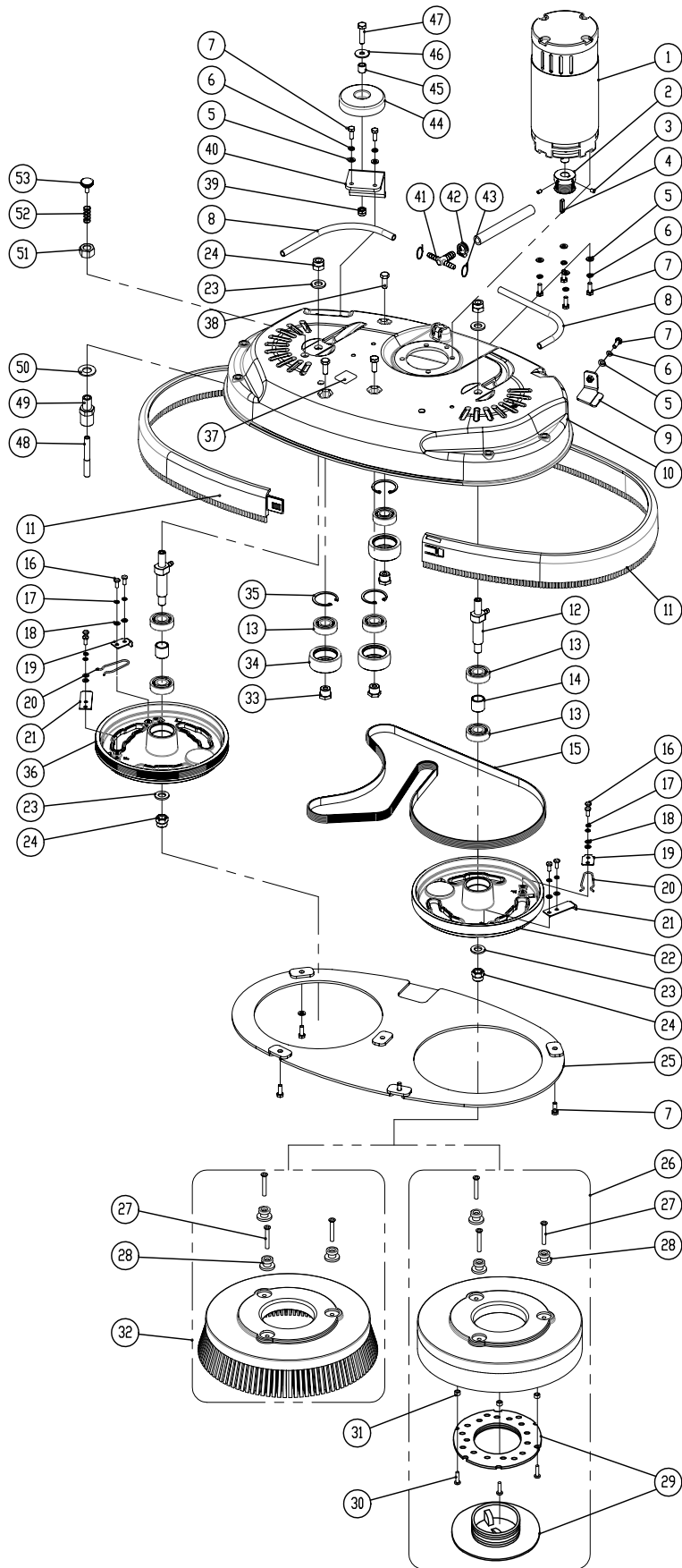
DIA NO.	PART NUMBER	DESCRIPTION	SERIAL NUMBER	MACHINE TYPE	NO REQ'D
1	8146199	MOTOR, 24VDC 550W 2200RPM, KIT	000101~	i20NBT-OB	1
	8146198	CARBON BRUSH, MOTOR			2
2	8146110	KEY, 8×7×28			1
3	1123012	LOCK NUT, M10			16
4	1421030	FLAT WASHER M10×φ30×2.5			24
5	8146520	MOUNTING BRACKET, ORBITAL HEAD	000294~	i20NBT-OB	2
6	8146116	ISOLATORS, M10×25			6
7	8146501	BRACKET, MOTOR MOUNTING	000294~	i20NBT-OB	1
8	1022845	HEX BOLT M8×45			2
9	1421824	FLAT WASHER M8×φ24×2.0			6
10	8115404	BEARING, JOURNAL			4
11	1435013	WAVE WASHER			2
12	8116009	PROTECTIVE WHEEL			2
13	1123808	STOVER NUT, M8			2
14	1221515	SCREW M5×15			4
15	1421510	FLAT WASHER M5×φ10×1.0			8
16	8146303	END CAP 3/8			2
17	8146305	PLASTIC CLAMP			4
18	8146508	PVC TUBING	000294~	i20NBT-OB	2
19	8146301	TEE FITTING 3/8			1
20	1123507	LOCK NUT M5			4
21	1513616	HEX SOCKET SCREW, M6×16			4
22	8146202	ECCENTRIC			1
23	8146201	ECCENTRIC SHAFT			1
24	1535610	SET SCREW, M6×10			1
25	8146204	BEARING HOUSING			1
26	1612608	BALL BEAING 6008			1
27	8146203	BEARING HOUSING			1
28	1521616	HEX SOCKET BOLT M6×16			2
29	8146107	ISOLATORS, M10×25			4
30	8146502	PAD DRIVER	000294~	i20NBT-OB	1
31	1513020	HEX SOCKET SCREW, M10×20			4
32	1513625	HEX SOCKET SCREW, M6×25			4
33	8146205	PLATE			1
34	1513620	HEX SOCKET SCREW, M6×20			4
35	8146511	ELBOW, 3/8	000294~	i20NBT-OB	1
36	8146512	TUBING, WIRE REINFORCED			1
37	1962016	CLAMP, HOSE 3/8"			1
38	8119012	COUPLER	000121~	i20NBT-OB	1
39	1623660	O RING,3.0*60mm			1
40	8146208	SEALING CAP	100776~	i20NBT-OB	1
41	1222410	SCREW M4x10			4
42	8146209	PAD	100776~	i20NBT-OB	1

PARTS LIST

ORBITAL HEAD GROUP (i20NBT-OB2.0)

DIA NO.	PART NUMBER	DESCRIPTION	SERIAL NUMBER	MACHINE TYPE	NO REQ'D
43	8146210	VIBRATION PLATE UPDATE KIT, INCLUDE 8146501			1
44	8146200	ECCENTRIC SHAFT KIT			1
45	8146503	WORK TRAY	000294~	i20NBT-OB	1
46	8146504	REPLACEMENT GRIP FACE	000294~	i20NBT-OB	2

SCRUB HEAD GROUP (i24BT)



PARTS LIST

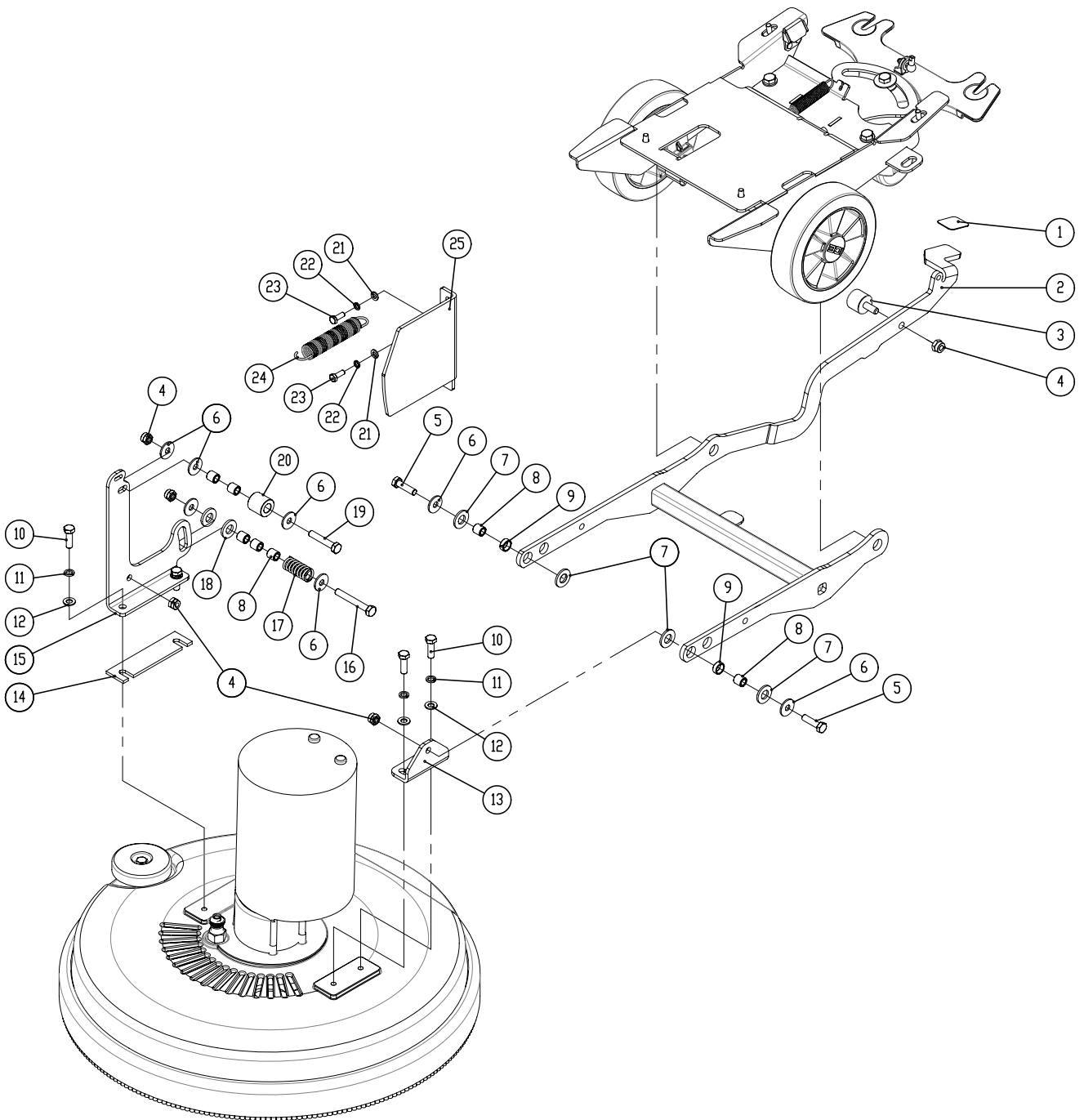
SCRUB HEAD GROUP (i24BT)

DIA NO.	PART NUMBER	DESCRIPTION	SERIAL NUMBER	MACHINE TYPE	NO REQ'D
1	8126200	BRUSH MOTOR, 24VDC 680W 2000RPM, KIT	000139~	i24BT	1
	8126070	CARBON BRUSH, BRUSH MOTOR	000101~		2
2	8126006	SHEAVE, SS	000101~		1
3	1534508	SCREW, SET, M5X8	000101~		2
4	1655025	KEY, 5X5X25	000101~		1
5	1421612	FLAT WASHER M6× ϕ 12×1.6	000101~		7
6	1422616	LOCK WASHER, M6	000101~		7
7	1021616	HEX BOLT M6×16	000101~		12
8	8119301	TUBING, ID=6mm, L=250mm	000101~		2
9	8126007	BRACKET, GUIDE, BELT	000101~		1
10	8126002	SCRUB HEAD HOUSING	000101~		1
11	8126050	BUMPER, SCRUB HEAD	000101~		2
12	8126040	SHAFT, PULLY	000101~		2
13	1612203	BEARING, 6203RS	000101~		7
14	8126008	BUSHING	000101~		2
15	8126005	BELT, 6PJ1598	000101~		1
16	1221512	SCREW M5×12	000101~		8
17	1422513	LOCK WASHER M5	000101~		8
18	1421510	FLAT WASHER M5× ϕ 10×1	000101~		8
19	8116002	BRUSH CLAMP PLATE	000101~		2
20	8116003	SPRING CLIP	000101~		2
21	8126009	PLATE, CLAMP, BRUSH	000101~		2
22	8126004	HUB, DRIVER, 3LUG, PULLY	000101~		1
23	1421124	FLAT WASHER M12× ϕ 24×2.5	000101~		4
24	1123115	LOCK NUT M12	000101~		4
25	8126020	BRACKET, GUARD, SPLASH	000101~		1
26	9040011U	11" PAD DRIVER	000482~	i24BT	2
	9050012U	11" PAD DRIVER (OPTION)	000101~		2
27	1222635	SCREW, M6X35	000101~		12
28	8116030	STUD	000101~		12
29	9000001	BIG MOUTH	000101~		2
	9000003	CENTER-LOK 3 (OPTION)	000101~		2
30	1321325	SELF-TAPPING SCREW, ST4.8X25	000101~		6
31	8116040	SPACER	000101~		6
32	9050012	12" BRUSH (OPTION)	000101~		2
	9050012P-A	12" BRUSH, SOFT WHITE (OPTION)	000101~		2
33	8126032	SPACER, IDLER	000101~		3
34	8126031	PULLEY, IDLER	000101~		3
35	1437040	RING, RETAINING, 40	000101~		3
36	8126003	HUB, DRIVE, 3LUG, 6GRV	000101~		1
37	8111023	WARNING LABEL	000101~		1
38	1021820	HEX BOLT M8×20	000101~		3
39	1123810	LOCK NUT M8	000101~		1
40	8126012	BRACKET, WALL-ROLLER	000101~		1

PARTS LIST**SCRUB HEAD GROUP (i24BT)**

DIA NO.	PART NUMBER	DESCRIPTION	SERIAL NUMBER	MACHINE TYPE	NO REQ'D
41	8119004	FITTING, PLASTIC, TEE	000101~		1
42	1962016	CLAMP, 10-16mm	000101~		1
43	1914300	TIE, NYLON, 5X300	000101~		2
44	8116009	PROTECTIVE WHEEL	000101~		1
45	8115404	SLEEVE, P/M	000101~		1
46	1421824	FLAT WASHER M8× ϕ 24×2.0	000101~		1
47	1021825	HEX BOLT M8×25	000101~		1
48	8126202	PIN	000101~		1
49	8126205	GUIDE, M14X20	000101~		1
50	1421428	FLAT WASHER M14× ϕ 28×2.0	000101~		1
51	1121913	NUT M14	000101~		1
52	8116204	SPRING	000101~		1
53	8116210	KNOB M6	000101~		1

SCRUB HEAD LIFT GROUP (i20NB / i20NBT)

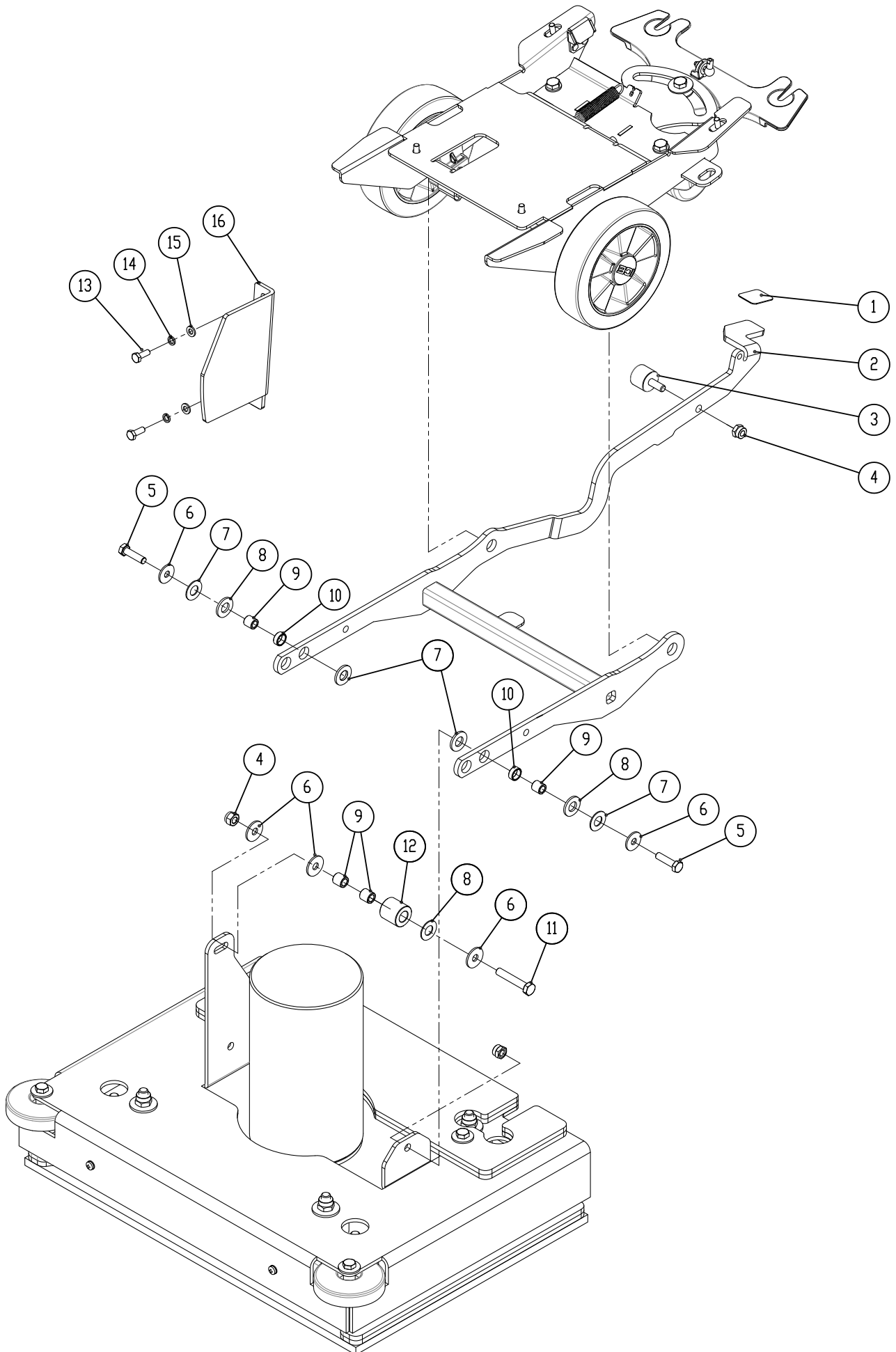


PARTS LIST

SCRUB HEAD LIFT GROUP (i20NB / i20NBT)

DIA NO.	PART NUMBER	DESCRIPTION	SERIAL NUMBER	MACHINE TYPE	NO REQ'D
1	8137006	NON-SLIP MAT	000101~		1
2	8137100	BRACKET, SCRUB HEAD LIFT	000101~		1
3	8133151	BUMPER	000528~	I20NB	1
			000459~	I20NBT	
4	1123810	LOCK NUT M8	000101~		5
5	1021830	HEX BOLT M8×30	000101~		2
6	1421824	FLAT WASHER M8×φ24×2	000101~		6
7	8117007	NYLON WASHER φ12.9×φ24×2.5	000101~		4
8	8115404	BEARING, JOURNAL	000101~		7
9	8115405	SLEEVE, P/M	000101~		2
10	1021825	HEX BOLT M8×25	000101~		4
11	1422821	LOCK WASHER M8	000101~		4
12	1421816	FLAT WASHER M8×φ16×1.6	000101~		4
13	8117002	LEFT BRACKET	000101~		1
14	8117005	SPACER(i20NB)	000101~		1
15	8117003	RIGHT BRACKET	000101~		1
16	1022860	HEX BOLT M8 ×60	000101~		1
17	8117008	SPRING	000101~		1
18	8113109	BEARING, THRUST	000101~		2
19	1022845	HEX BOLT M8 ×45	000101~		1
20	8117004	ROLLER	000101~		1
21	1421612	FLAT WASHER M6×φ12×1.6	000101~		2
22	1422616	LOCK WASHER M6	000101~		2
23	1021616	HEX BOLT M6 ×16	000101~		2
24	8117009	SPRING	000101~		1
25	8117001	BRACKET, GUIDE	000101~		1

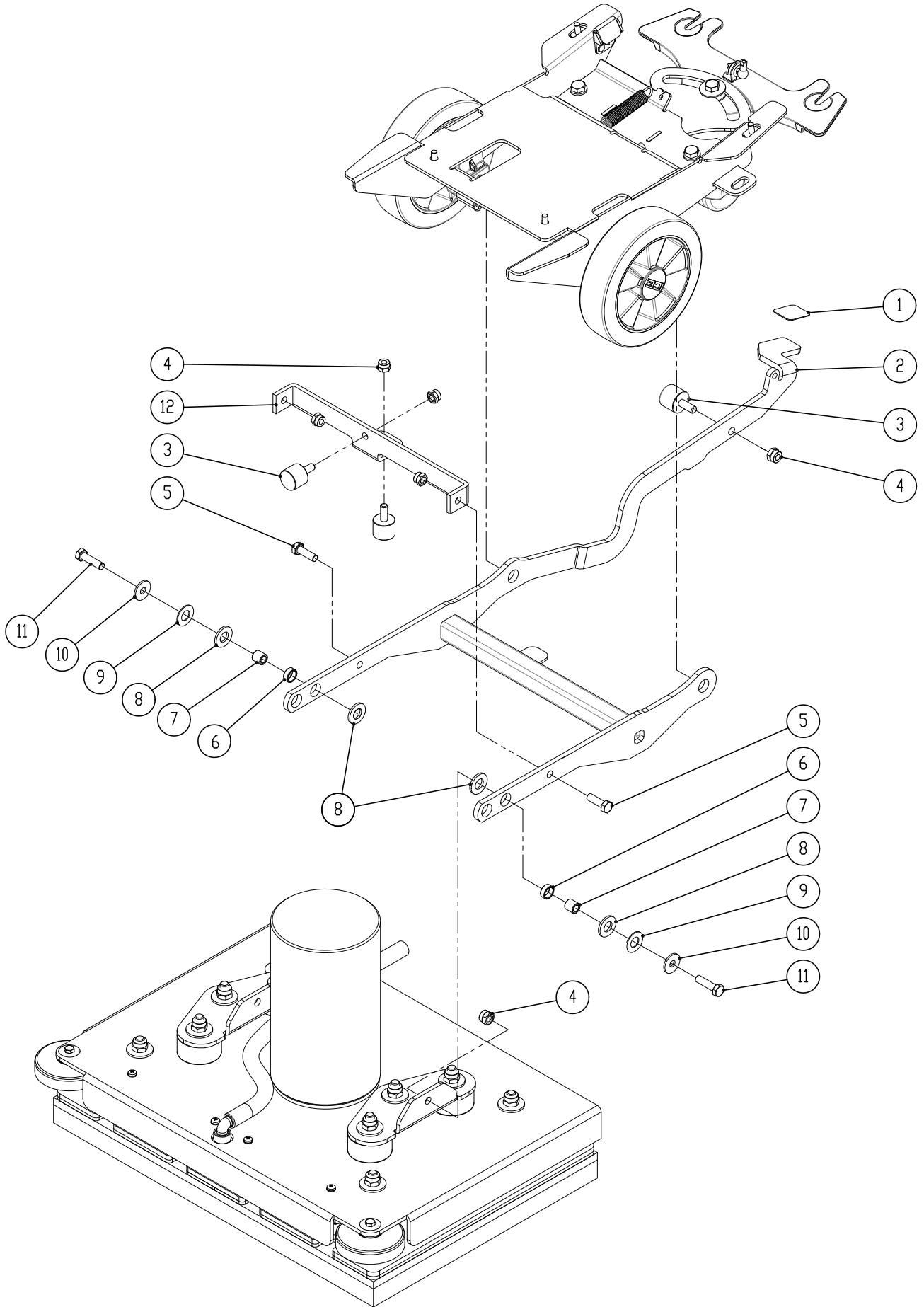
ORBITAL HEAD LIFT GROUP (i20NB-OB1.0)



PARTS LIST**ORBITAL HEAD LIFT GROUP (i20NBT-OB1.0)**

DIA NO.	PART NUMBER	DESCRIPTION	SERIAL NUMBER	MACHINE TYPE	NO REQ'D
1	8137006	NON-SLIP MAT	000101~		1
2	8137100	BRACKET, SCRUB HEAD LIFT	000101~		1
3	8133151	BUMPER	000171~	i20NBT-OB	1
4	1123810	LOCK NUT M8	000101~		5
5	1021830	HEX HEAD BOLT M8×30	000101~		2
6	1421824	FLAT WASHER M8× ϕ 24×2	000101~		8
7	8117007	N Y L O N W A S H E R ϕ 12.9× ϕ 24×2.5	000101~		4
8	1435013	WAVE WASHER	000101~		10
9	8115404	BEARING, JOURNAL	000101~		4
10	8115405	SLEEVE, P/M	000101~		2
11	1022845	HEX HEAD BOLT M8 ×45	000101~		1
12	8117004	ROLLER	000101~		1
13	1021616	HEX HEAD BOLT M6 ×16	000101~		2
14	1422616	LOCK WASHER M6	000101~		2
15	1421612	FLAT WASHER M6×ϕ12×1.6	000101~		2
16	8137010	BRACKET, GUIDE	000101~		1

ORBITAL HEAD LIFT GROUP (i20NBT-OB2.0)

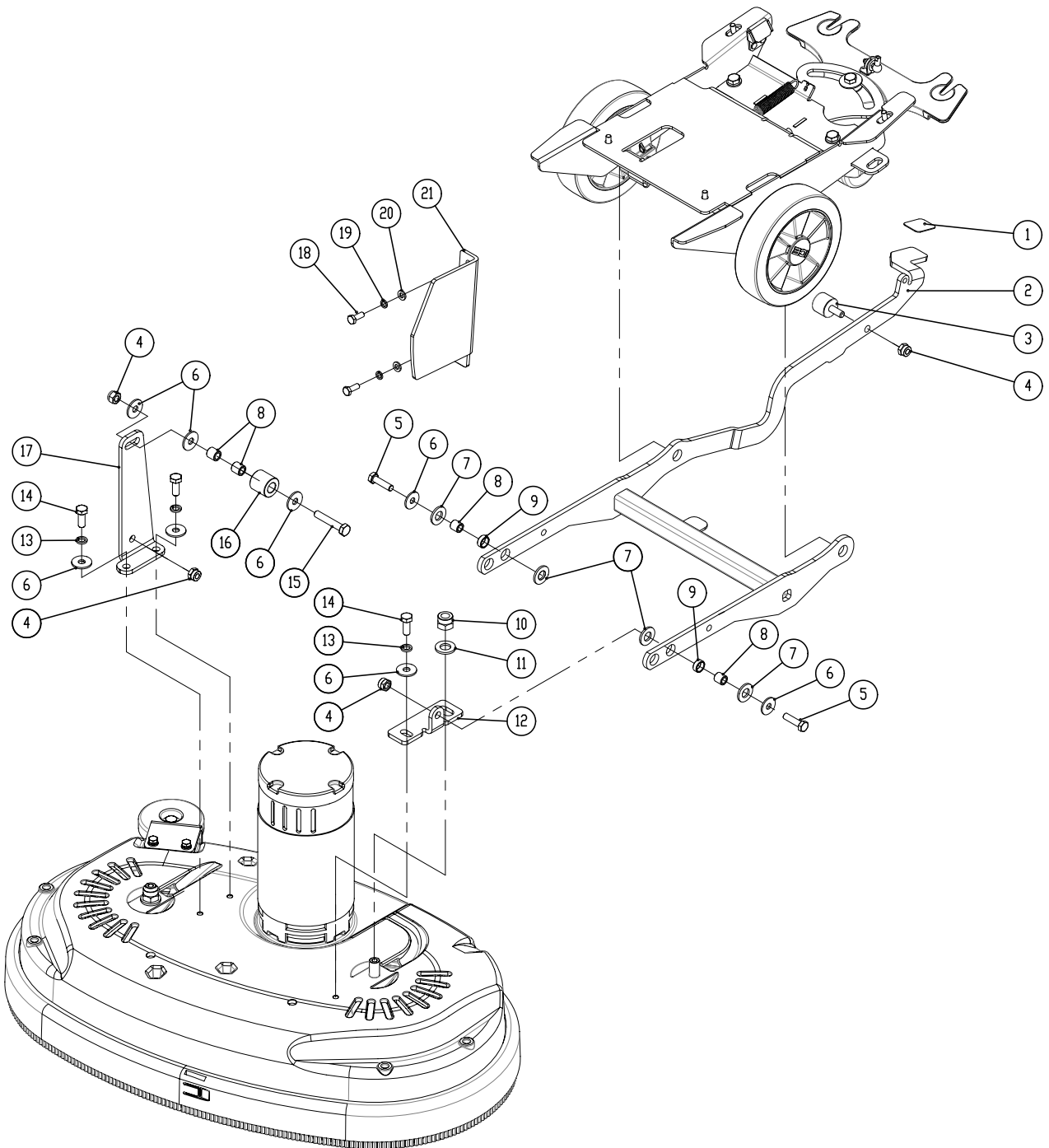


PARTS LIST

ORBITAL HEAD LIFT GROUP (i20NBT-OB2.0)

DIA NO.	PART NUMBER	DESCRIPTION	SERIAL NUMBER	MACHINE TYPE	NO REQ'D
1	8137006	NON-SLIP MAT			1
2	8137100	BRACKET, SCRUB HEAD LIFT			1
3	8133151	BUMPER	000171~	i20NBT-OB	3
4	1123808	STOVER NUT, M8			7
5	1021820	HEX HEAD BOLT M8×20			2
6	8115405	SLEEVE, P/M			2
7	8115404	BEARING, JOURNAL			2
8	8117007	NYLON WASHER $\phi 12.9 \times \phi 24 \times 2.5$			4
9	1435013	WAVE WASHER			4
10	1421824	FLAT WASHER M8× $\phi 24 \times 2$			2
11	1021830	HEX HEAD BOLT M8×30			2
12	8146530	BRACKET, ORBITAL HEAD LIFT	000294~	i20NBT-OB	1

SCRUB HEAD LIFT GROUP (i24BT)

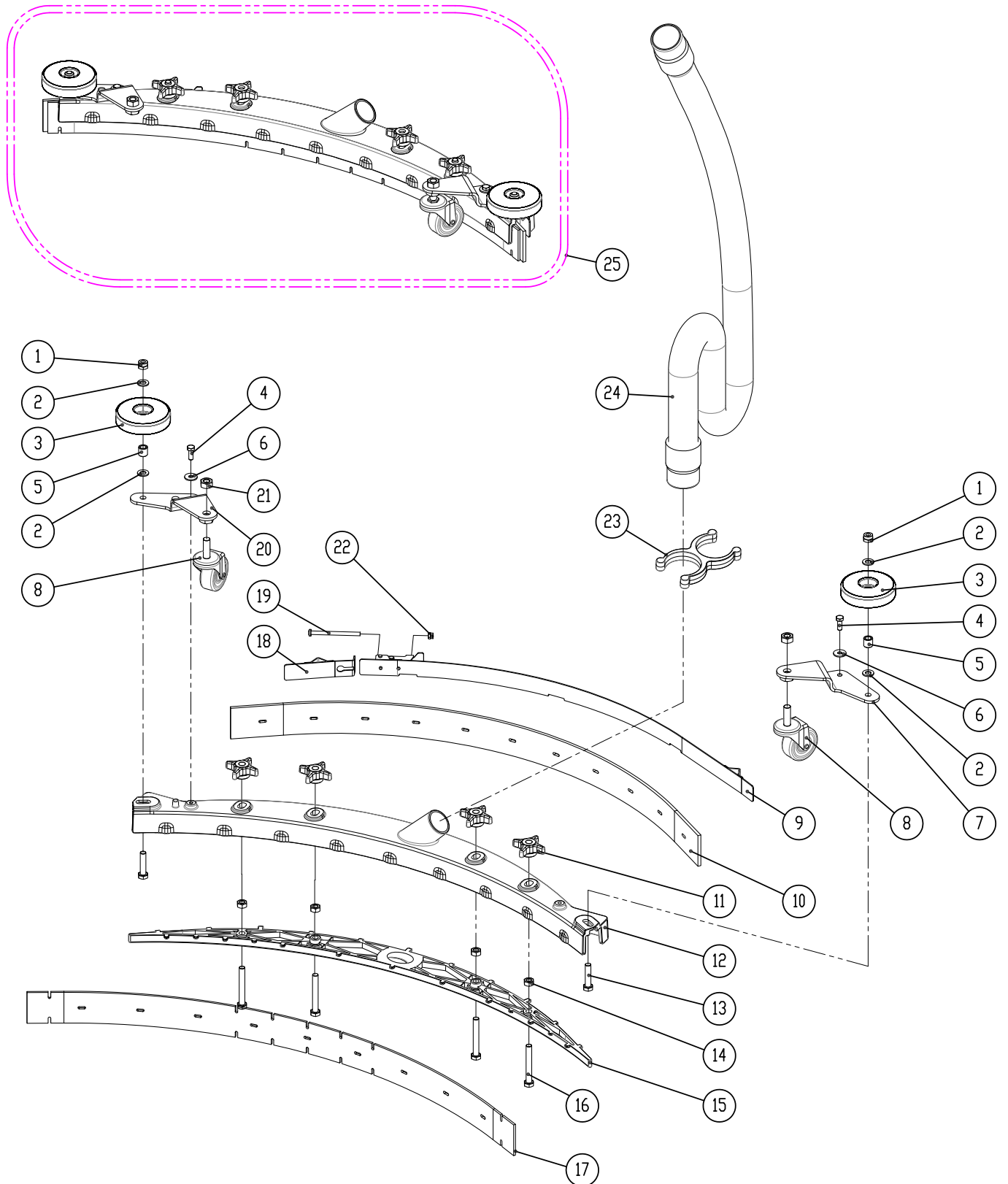


PARTS LIST

SCRUB HEAD LIFT GROUP (i24BT)

DIA NO.	PART NUMBER	DESCRIPTION	SERIAL NUMBER	MACHINE TYPE	NO REQ'D
1	8137006	NON-SLIP MAT	000101~		1
2	8137100	BRACKET, SCRUB HEAD LIFT	000101~		1
3	8133151	BUMPER	000287~	i24BT	1
4	1123810	LOCK NUT M8	000101~		5
5	1021830	HEX BOLT M8×30	000101~		2
6	1421824	FLAT WASHER M8× ϕ 24×2	000101~		8
7	8117007	NYLON WASHER ϕ 12.9× ϕ 24×2.5	000101~		4
8	8115404	BEARING, JOURNAL	000101~		4
9	8115405	SLEEVE, P/M	000101~		2
10	1123115	LOCK NUT M12	000101~		1
11	1421124	FLAT WASHER M12× ϕ 24×2.5	000101~		1
12	8126011	LEFT BRACKET	000101~		1
13	1422821	LOCK WASHER M8	000101~		3
14	1021820	HEX BOLT M8×20	000101~		3
15	1022845	HEX BOLT M8 ×45	000101~		1
16	8117004	ROLLER	000101~		1
17	8126010	RIGHT BRACKET	000101~		1
18	1021616	HEX BOLT M6 ×16	000101~		2
19	1422616	LOCK WASHER M6	000101~		2
20	1421612	FLAT WASHER M6× ϕ 12×1.6	000101~		2
21	8137001	BRACKET, GUIDE	000101~		1

SQUEEGEE GROUP (1.0)



PARTS LIST

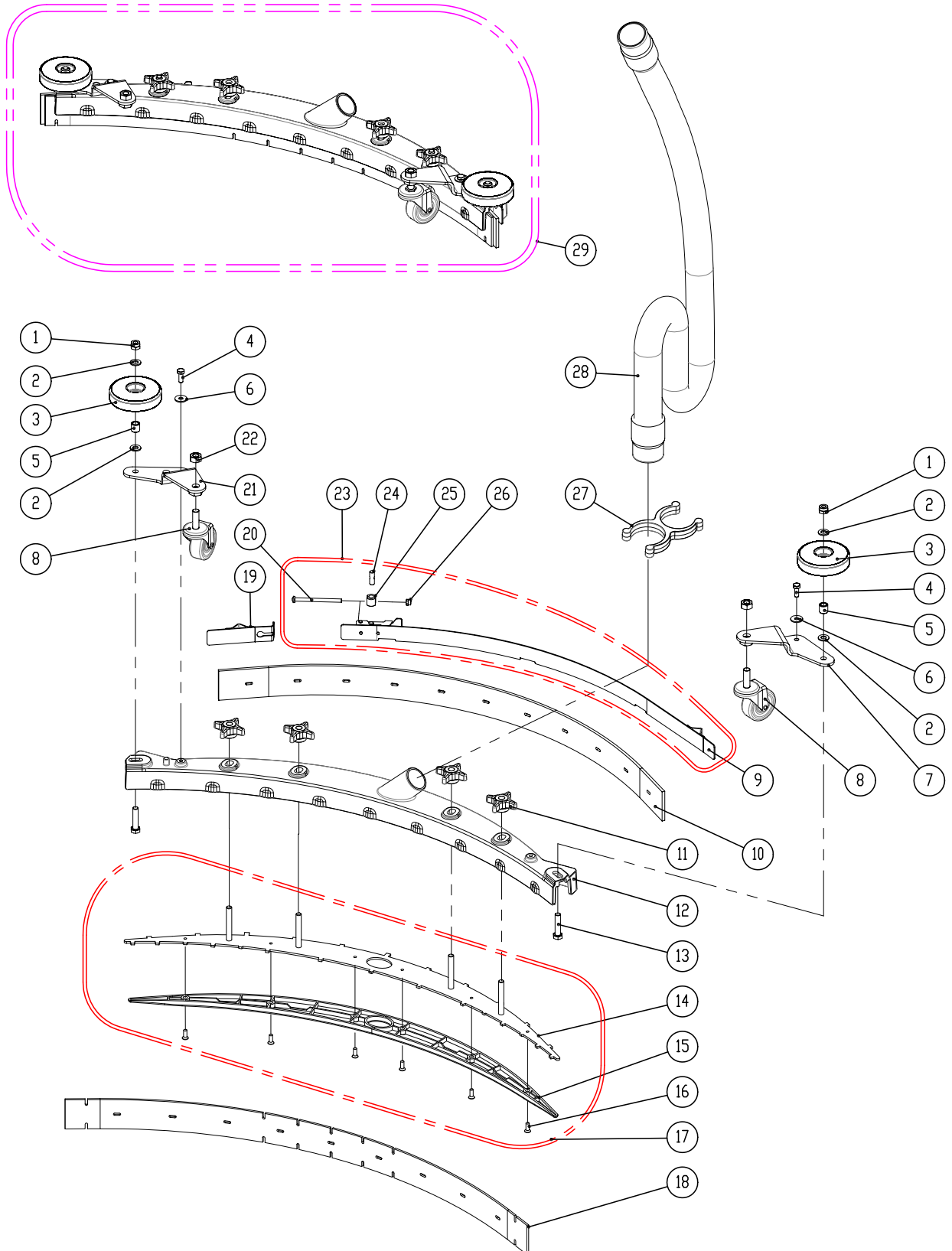
SQUEEGEE GROUP (1.0)

DIA NO.	PART NUMBER	DESCRIPTION	SERIAL NUMBER	MACHINE TYPE	NO REQ'D
1	1123810	LOCK NUT M8	000101~		2
2	1421824	FLAT WASHER M8×φ24×2.0	000101~		4
3	8116009	PROTECTIVE WHEEL	000101~		2
4	1021616	HEX BOLT M6×16	000101~		2
5	8115404	BEARING, JOURNAL	000101~		2
6	1421612	FLAT WASHER M6×φ12×1.6	000101~		2
7	8118300	LEFT BRACKET	000101~		1
8	8118400	CASTER, 2 INCH	000101~		2
9	8118600	CLAMP ASSEMBLY, SQUEEGEE	000101~		1
10	8118022	SQUEEGEE BLADE, REAR, LINATEX	000101~		1
	8118002	SQUEEGEE BLADE, REAR, PU (OPTION)	000101~		1
11	8118003	STAR KNOB M8	000101~		4
12	8118004	SQUEEGEE HOUSING	000101~		1
13	1021835	HEX BOLT M8×35	000101~		2
14	1121807	HEX NUT M8	000101~		1
15	8118005	RETAINER,SQUEEGEE	000165~000490	i20NB	1
			000187~000488	i20NBT	
			000101~000258	i20NBT-OB	
			000139~000311	i24BT	
16	1021860	HEX HEAD BOLT M8×60	000101~		4
17	8118021	SQUEEGEE BLADE, FRONT, LINATEX	000101~		1
	8118001	SQUEEGEE BLADE, FRONT, PU (OPTION)	000101~		1
19	8118610	SHORT CLAMP ASSEMBLY	000101~		1
20	1221575	SCREW M5×75	000101~		1
21	8118200	RIGHT BRACKET	000101~		1
22	1121008	HEX NUT M10	000101~		2
23	8118109	HOLDER VACUUM HOSE	000101~		1
24	8118006	VACUUM HOSE	000165~101273	i20NB	1
			000187~101231	i20NBT	
			000101~100609	i20NBT-OB	
			000139~000611	i24BT	

NOTES:

1. If the specific model is not filled in the item of machine type, the material used for i20NB/i20NBT/i20NBT-OB/i24BT models is the same.

SQUEEGEE GROUP (2.0)



PARTS LIST

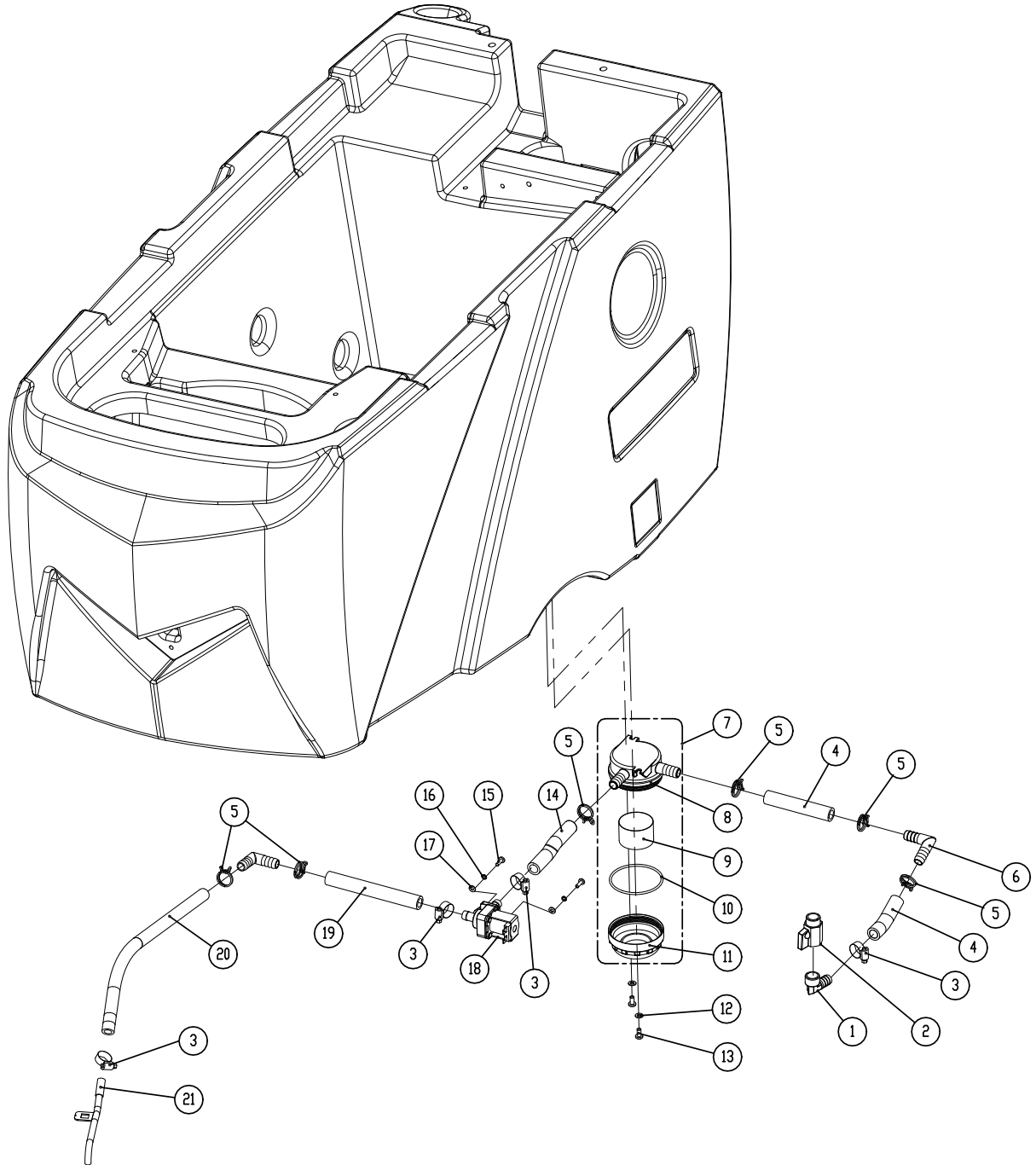
SQUEEGEE GROUP (2.0)

DIA NO.	PART NUMBER	DESCRIPTION	SERIAL NUMBER	MACHINE TYPE	NO REQ'D
1	1123810	LOCK NUT M8			2
2	1421824	FLAT WASHER M8×φ24×2.0			4
3	8116009	PROTECTIVE WHEEL			2
4	1021616	HEX BOLT M6×16			2
5	8115404	BEARING, JOURNAL			2
6	1421612	FLAT WASHER M6×φ12×1.6			2
7	8118300	LEFT BRACKET			1
8	8118400	CASTER, 2 INCH			2
9	8118600	CLAMP ASSEMBLY, SQUEEGEE			1
10	8118022	SQUEEGEE BLADE, REAR, LINATEX			1
	8118002	SQUEEGEE BLADE, REAR, PU (OPTION)			1
11	8118003	STAR KNOB M8			4
12	8118004	SQUEEGEE HOUSING			1
13	1021835	HEX BOLT M8×35			2
14	8118009	S T A I N L E S S S T E E L L RETAINER,SQUEEGEE	000528~	I20NB	1
			000489~	I20NBT	
			000259~	i20NBT-OB	
			000337~	i24BT	
15	8118008	PLASTIC SPACER	000528~	I20NB	1
			000489~	I20NBT	
			000259~	i20NBT-OB	
			000337~	i24BT	
16	1222515	COUNTERSUNK FLAT HEAD SCREW M5×15			6
17	8118010	RETAINER KIT			1
18	8118021	SQUEEGEE BLADE, FRONT, LINATEX			1
	8118001	SQUEEGEE BLADE, FRONT, PU (OPTION)			1
19	8118610	SHORT CLAMP ASSEMBLY			1
20	1221575	SCREW M5×75			1
21	8118200	RIGHT BRACKET			1
22	1121008	HEX NUT M10			2
23	8118600A	CLAMP ASSEMBLY			1
24	8118624	SHAFT			1
25	8118623	SPACER			1
26	1123507	LOCK NUT M5			1
27	8118109	HOLDER VACUUM HOSE			1
28	8118006	VACUUM HOSE	000165~101273	I20NB	1
			000187~101231	I20NBT	
			000101~100609	i20NBT-OB	
			000139~000611	i24BT	
29	8118000	SQUEEGEE ASSEMBLY, LINATEX			1
	8118000-PU	SQUEEGEE ASSEMBLY, PU			1

NOTES:

1. If the specific model is not filled in the item of machine type, the material used for i20NB/i20NBT/i20NBT-OB/i24BT models is the same.

SOLUTION GROUP



PARTS LIST

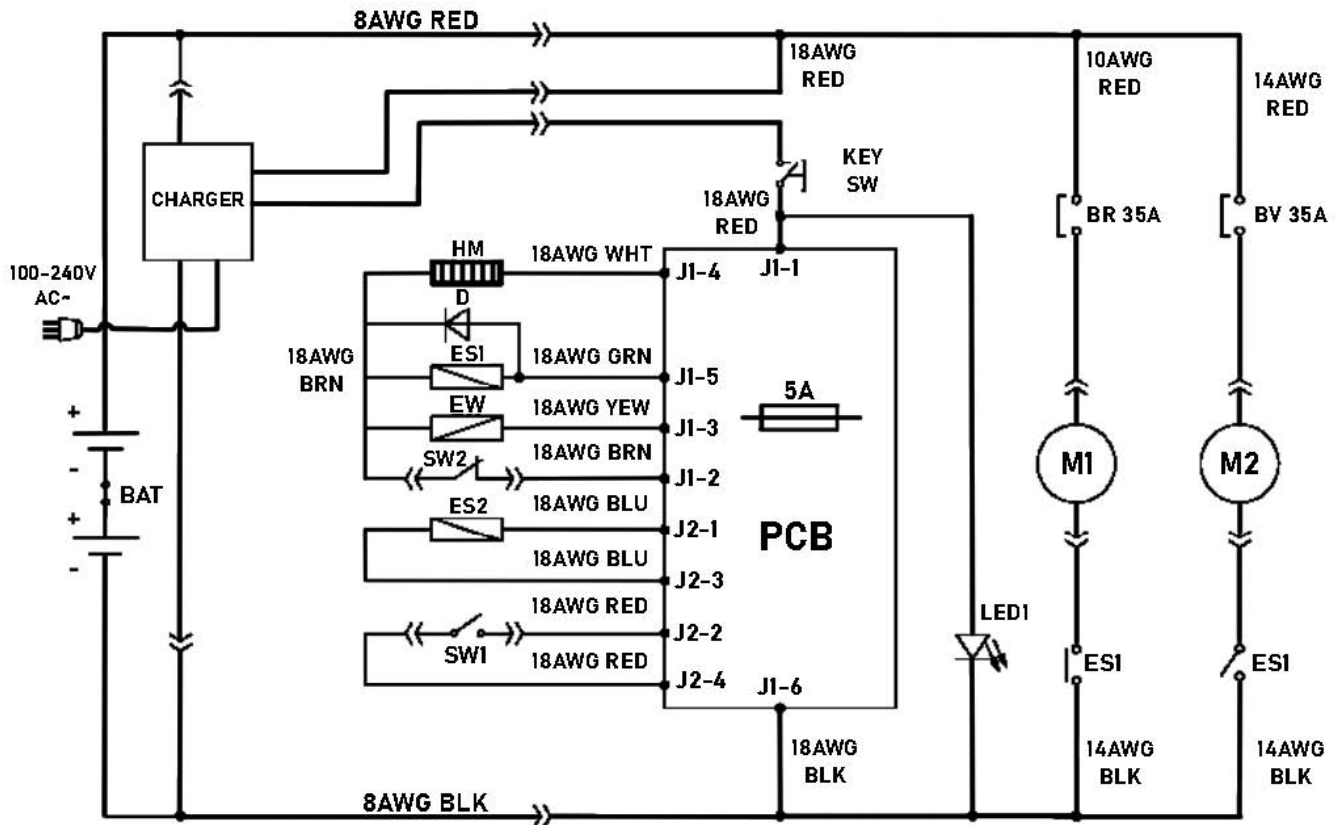
SOLUTION GROUP

DIA NO.	PART NUMBER	DESCRIPTION	SERIAL NUMBER	MACHINE TYPE	NO REQ'D
1	8119007	ELBOW G1/2	000101~		1
2	8119005	BALL VALVE, G1/2	000101~		1
3	1962016	CLAMP, Hose 3/8"	000101~		4
4	8119201	TUBING ID=12MM L=70MM	000101~		2
5	8119006	CLAMP	000101~		6
6	8119002	ELBOW, TUBING BARB	000101~		2
7	8119200	FILTER ASSEMBLY, 40 MESH	000101~		1
8	8119101	BASE, FILTER ASSEMBLY	000101~		1
9	8119104	SCREEN, FILTER, 40 MESH	000101~		1
10	1623660	O-Ring	000101~		1
11	8119102	CAP, FILTER ASSEMBLY	000101~		1
12	1421510	FLAT WASHER M5×10×1	000101~		2
13	1221512	SCREW M5×12	000101~		2
14	8119202	TUBING, ID=12mm, L=100mm	000101~		1
15	1221412	SCREW M4×12	000101~		2
16	1422411	LOCK WASHER M4	000101~		2
17	1421409	FLAT WASHER M4× ϕ 9×0.8	000101~		2
18	8119003	SOLENOID VALVE,24VDC	000101~		1
19	8119203	TUBING ID=12MM L=135MM	000101~		1
20	8119204	TUBING ID=10MM L=360MM	000101~		1
21	8116100	WATER SUPPLY TUBE	000101~		1

WIRING DIAGRAM

WIRING DIAGRAM FOR I20NB

(SN:) 1.0 Scrubbers



BAT: 2-12V Batteries

CHARGER: On board battery charger

KEY SW: Main power Key switch

HM: Hour meter

D: Diode

ES1: Brush motor solenoid switch

EW: Solution solenoid valve switch

SW2: Safe switch, Scrub head lifting

ES2: Vacuum motor relay

ES2: Vacuum motor relay

SW1: Control handle start bail switch

PCB: Function electronic board

LED1: Running lights

BR: Circuit breaker, Brush motor

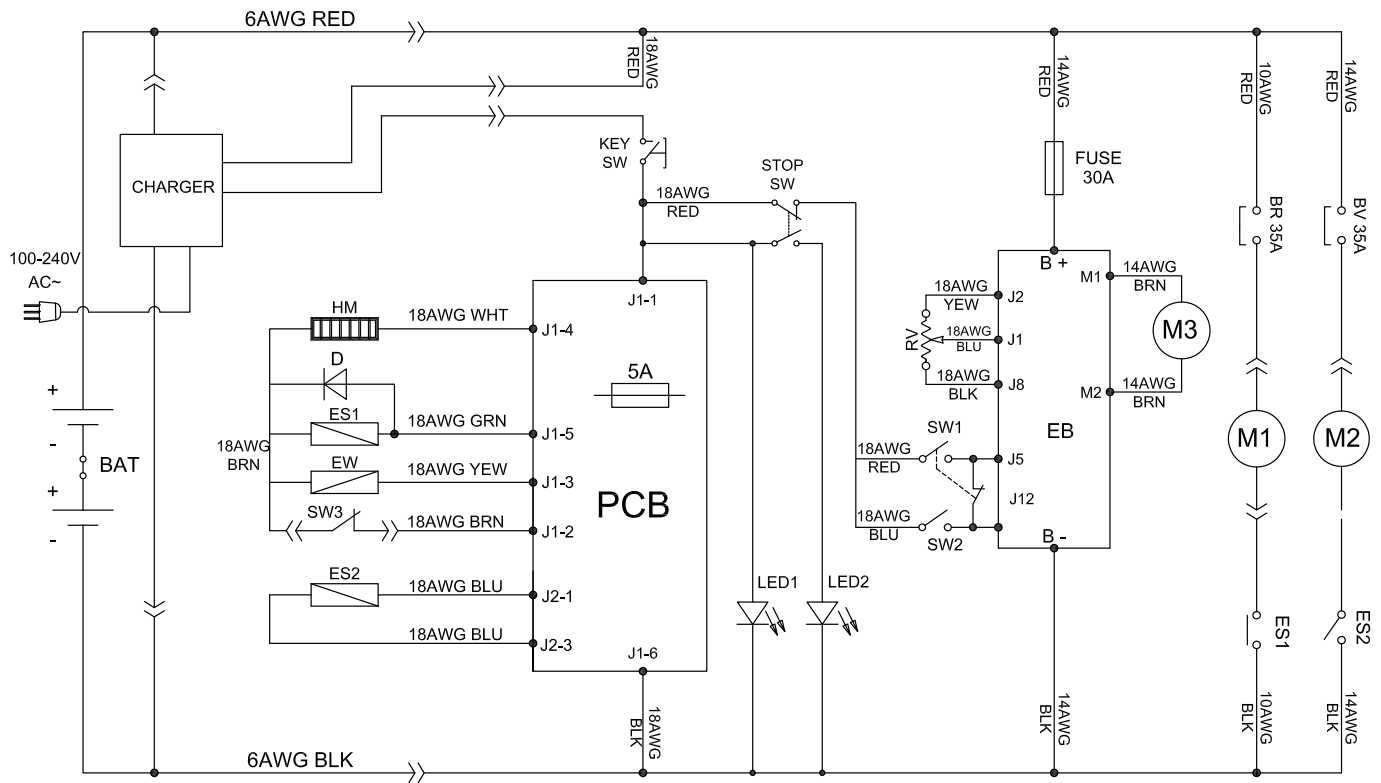
BV: Circuit breaker, Vacuum motor

M1: Brush motor

M2: Vacuum motor

WIRING DIAGRAM

WIRING DIAGRAM FOR I20NBT & I24BT (I20NBT & I24BT) (SN: i20NBT- 603 i20NBT-OB - 293 i24BT - 320)



BAT: 2-12V Batteries

CHARGER: On board battery charger

KEY SW: Main power Key switch

HM: Hour meter

D: Diode

ES1: Brush motor solenoid switch

EW: Solution solenoid valve switch

SW3: Safe switch, scrub head lifting

ES2: Vacuum motor relay

PCB: Function electronic board

STOP SW: Emergency stop switch

LED1: Running lights

LED2: Emergency stop lights

RV: Speed potentiometer

SW1: Control handle bail switch, forward

SW2: Control handle bail switch, backward

EB: Speed control board

M3: Transaxle motor

BR: Circuit breaker, Brush motor

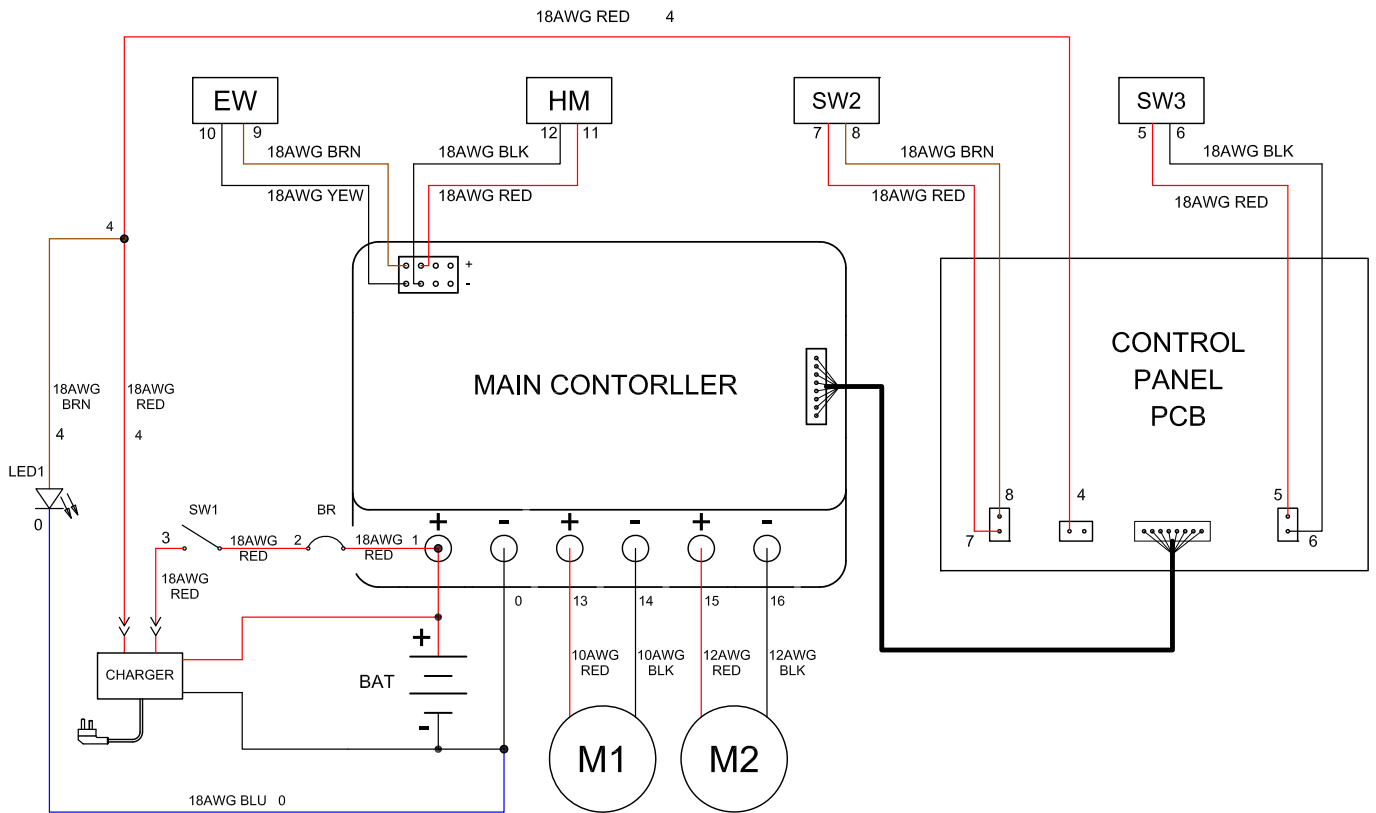
BV: Circuit breaker, Vacuum motor

M1: Brush motor

M2: Vacuum motor

WIRING DIAGRAM

WIRING DIAGRAM FOR i20NB (SN: 1.5 scrubbers)



BAT: 2-12V Batteries

CHARGER: On board battery charger

SW1: Key switch

BR: Circuit breaker, 5A

LED1: Running lights

EW: Solution solenoid valve switch

HM: Hour meter

SW2: Safe switch, Scrub head lifting

SW3: Control handle start bail switch

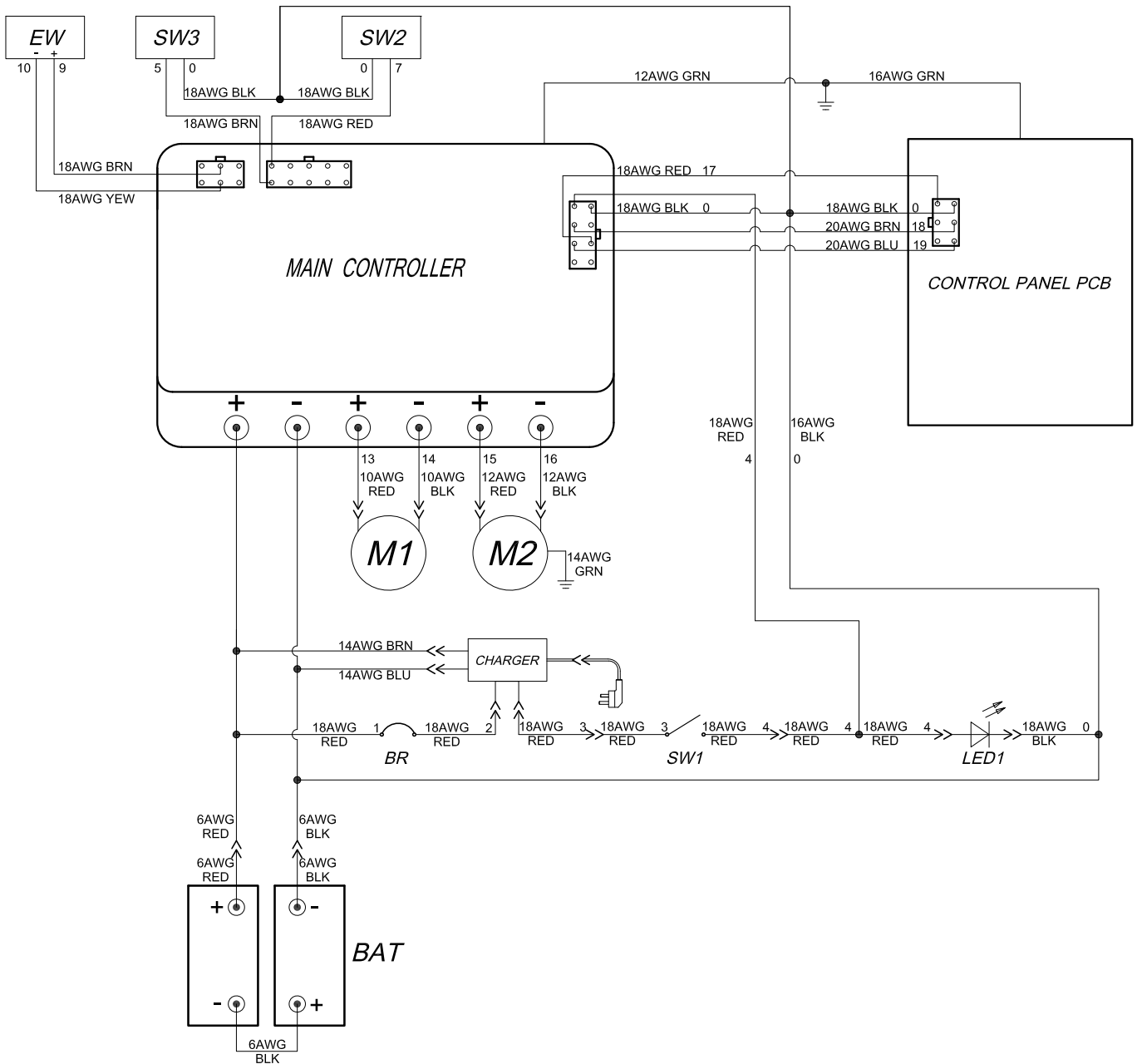
M1: Brush motor

M2: Vacuum motor

WIRING DIAGRAM

WIRING DIAGRAM FOR i20NB

SN: 529+



BAT: 2-12V Batteries

BR: Main controller circuit breaker, 5A

SW1: Main power key switch

LED1: Running lights

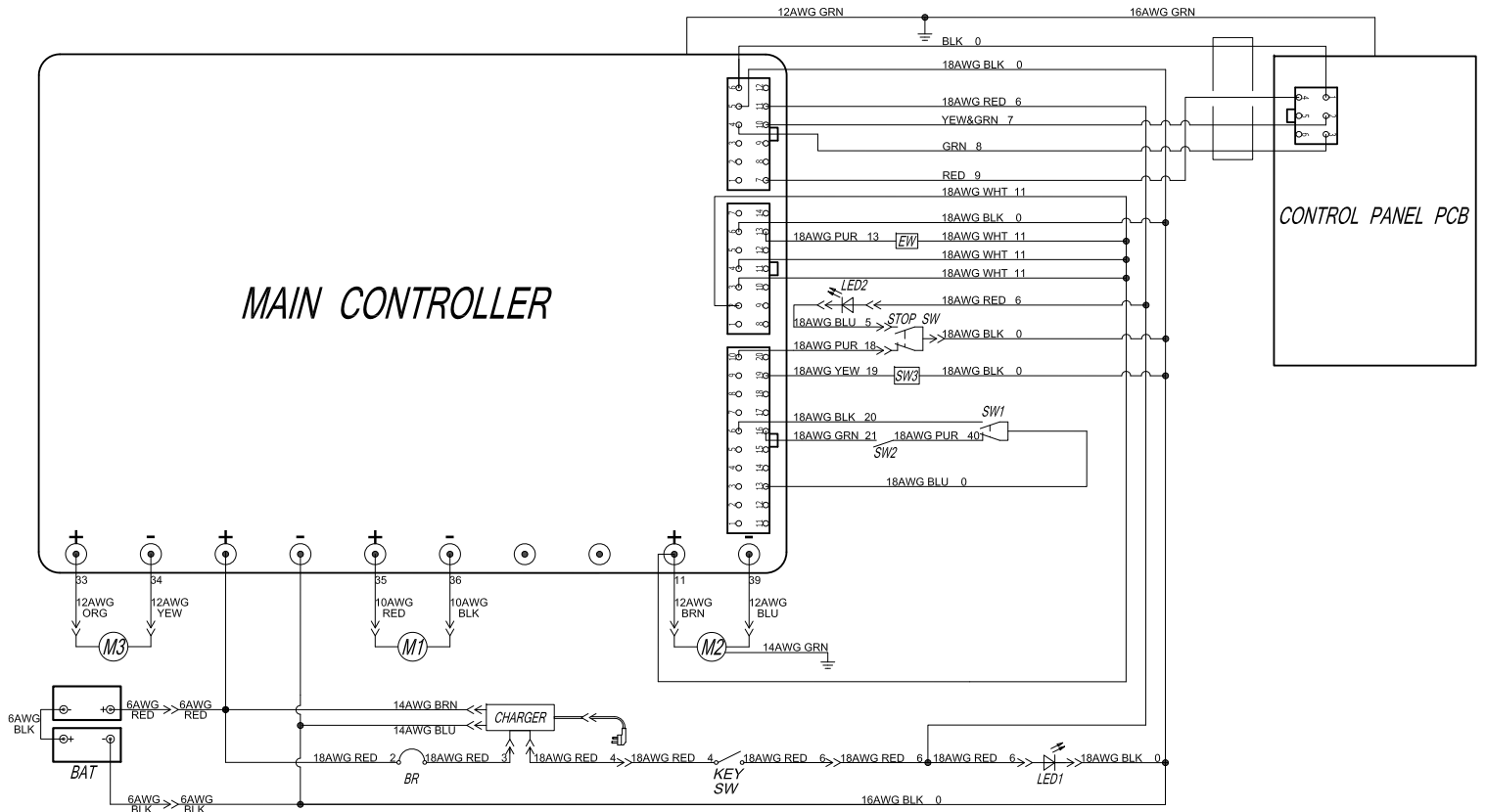
CHARGER: On board battery charger

M1: Brush motor

M2: Vacuum motor

WIRING DIAGRAM

WIRING DIAGRAM (i20NBT, i20NBT-OB & i24BT) (SN: i20NB - 529+, i20NBT - 604+, i20NBT-OB - 294+, i24BT - 321+)



BAT: 2-12V Batteries

BR: Main controller circuit breaker

KEY SW: Main power key switch

LED1: Running light

CHARGER: On board battery charger

M3: Transaxle motor

M1: Brush motor

M2: Vacuum motor