

PARTS MANUAL

EMMA Mk-2(A) Enabling Mobile Machine Automation
BE-MK2(A)-RS26



REV 07
NOVEMBER 2020

Visit braincorp.com for assistance

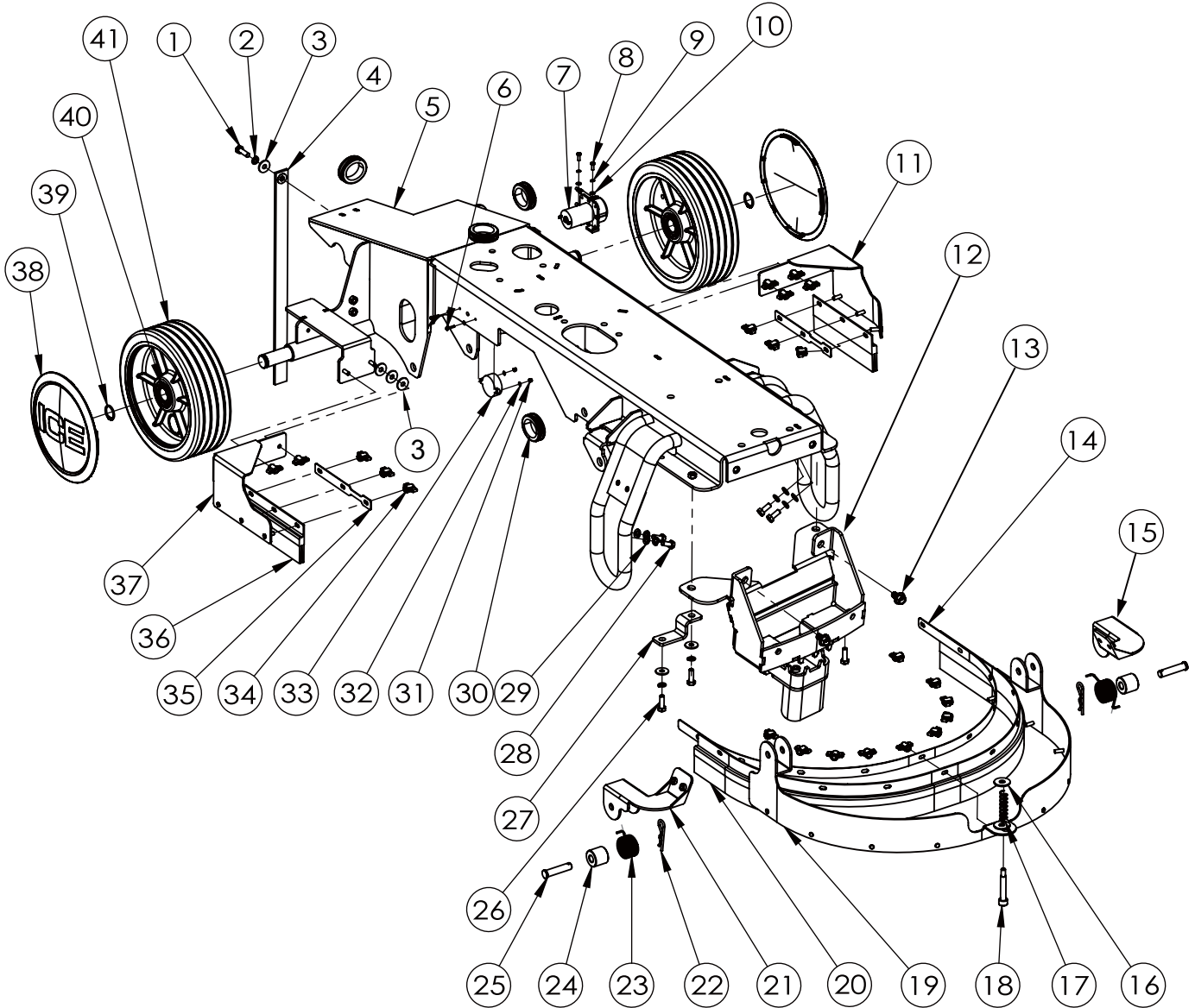
BE-MK2(A)-RS26 PARTS MANUAL TABLE OF CONTENTS

MACHINE COMPONENT	PAGE
Main Frame and Perimeter Guards Group	4
Drive Train Group	6
Solution Tank Group	8
Recovery Tank Group	10
Recovery Tank Cover Group	12
Seat & Detergent System Group	14
Main Controller Group	17
Battery Group	19
Charger Components	21
Scrub Head Lifting Group	22
Scrub Head Group	24
Squeegee Group	26
Solution & Detergent System Group	28
Steering Housing Group	30
Main Tower Group	32
IFM 03D Housing Group	34
Steering Tower Cowl Group	36
Control Panel Group	38
Wear Parts	40
Wiring Diagrams	42

MAIN FRAME AND PERIMETER GUARDS GROUP

ITEM	BrainCorpPN	ICE PN	DESCRIPTION	QTY.
1	446-00154-01	1021825	M8x25mm HH Screw	1
2	456-00102-01	1422821	Washer, M8 Lock	9
3	456-00100-01	1421824	Washer, M8 Oversize	8
4	500-00135-01	8210118	Static Strap	1
5	411-00182-01	8350150	Main Frame	1
6	446-00160-01	1211316	Screw, Pan Head, M3x16	2
7	500-00136-01	8310930A	Peristaltic Pump, Kit	1
8	446-00161-01	1221412	Screw, Pan Head, M4x12	2
9	456-00114-01	1422411	Washer, M4 Lock	2
10	456-00104-01	1421409	Washer, M4	2
11	411-00176-01	8350162	Support Bracket, Left Rear Wheel Guard	1
12	411-00252-01		LIDAR Cage, Protection	1
13	446-00102-01	1022020	Screw, M10x20mm HH	2
14	411-00180-01	8350168	Clamp	1
15	411-00178-01	8350164	Perimeter Guard Bracket, Left	1
16	456-00118-01	1421030	Flat Washer, M10x30x2.5	2
17	450-00103-01	8350171	Compress Spring	1
18	446-00153-01	8350172	Shoulder Bolt	1
19	411-00179-01	8350165	Support Bracket, Front Perimeter Guard	1
20	442-00159-01	8350167	Brush Strip	1
21	411-00177-01	8350163	Perimeter Guard Bracket, Right	1
22	442-00163-01	8310320	Pin, Cotter	2
23	450-00102-01	8350170	Torsional Spring	2
24	442-00160-01	8350169	Spacer	2
25	442-00158-01	8350166	Pin	2
26	446-00154-01	1021825	Bolt, Hex Head, M8x25	4
27	411-00181-01	8350156	Bracket, Stand, BC	2
28	446-00110-01	1021820	Screw, M8x20mm HH	4
29	456-00111-01	1421816	Washer, M8	4
30	442-00119-01	8310133	1-3/8" Grommet	4
31	444-00102-01	1123305	Nut, M3 Nylock	2
32	456-00116-01	1421307	Washer, M3	4
33	500-00137-01	8310708A	Horn, 24VDC, Kit	1
34	442-00157-01	8210531	M6 Knob	20
35	411-00174-01	8311659	Clamp	2
36	442-00102-01	8311663	Brush Strip	2
37	411-00175-01	8350161	Support Bracket, Right Rear Wheel Guard	1
38	421-00106-01	8310150	Wheel Cap	2
39	442-00175-01	1436025	Retaining Ring, 25mm	2
40	442-00176-01	1612605	Ball Bearing, 6205-2RS	2
41	442-00177-01	8310119	10" Wheel, PU Tire	2

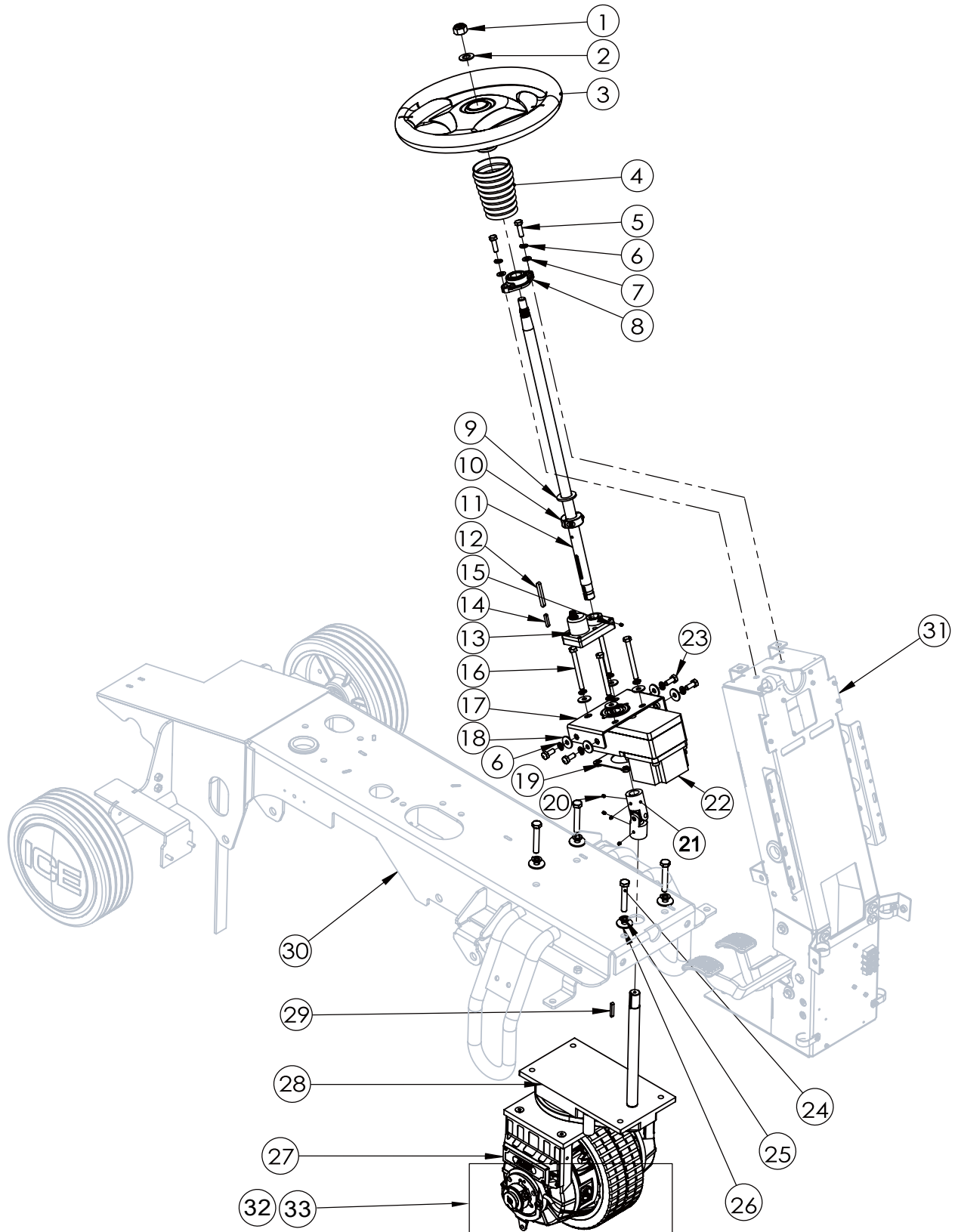
MAIN FRAME AND PERIMETER GUARDS GROUP



DRIVE TRAIN GROUP

ITEM	BrainCorpPN	ICEPN	DESCRIPTION	QTY
1	444-00115-01	1113014	Lock Nut, M14	1
2	456-00117-01	1421428	Flat Washer, M14xOD28x2.0	1
3	442-00179-01	8310602	Steering Wheel	1
4	442-00180-01	8310608	Bellows, Shaft, Steering	1
5	446-00154-01	1021825	Bolt, Hex Head, M8x25	3
6	456-00102-01	1422821	Washer, M8 Lock	17
7	456-00111-01	1421816	Flat Washer, M18xOD16x1.6	2
8	442-00162-01	8310609	Bearing, Flange	1
9	456-00110-01	8350239	Large Delrin Washer	1
10	442-00124-01	8350238	20mm Clamping Shaft Collar	1
11	412-00112-01	8350127	Steering Shaft	1
12	442-00120-01	1654650	6x6x50mm Key	1
13	446-00139-01	1534406	M4x6 Set Screw	2
14	442-00114-01	1654025	Key, 3/16"x3/16"x1"	1
15	290-00111-01	8350410	Encoder with Gearbox, Steering	1
16	446-00111-01	1022880	M8x80mm HH Screw	4
17	411-00152-01	8350115	Bracket, Motor Mount	1
18	456-00100-01	1421824	Washer, M8 Oversize	19
19	411-00159-01	8350121	Plate, Motor Clamping	1
20	446-00162-01	1534508	Set Screw, M5x8	4
21	442-00178-02	8313614	U-Joint, Steering, RS26 8313614	1
22	830-00119-01	8350430	Steering Column Motor Assy	1
23	446-00110-01	1021820	Screw, M8x20mm HH	12
24	446-00195-01	1021060	BOLT, HEX HEAD, M10X60	4
25	456-00130-01	1422026	LOCK WASHER, M10	4
26	456-00118-01	1421030	FLAT WASHER, M10X30X2.5	4
27	500-00131-01	8350610	Drive Wheel with Encoder	1
28	500-00157-01	8310603	Steering Chain System	1
29	442-00115-01	1654532	Key, 3/16"x3/16"x1-1/4"	1
30	MAIN FRAME AND PERIMETER GUARDS GROUP			
31	MAIN TOWER GROUP			
32	500-00149-01	8350611	Electrically Released Brake	-
33	290-00118-01	8350612	Eltra Traction Encoder	-

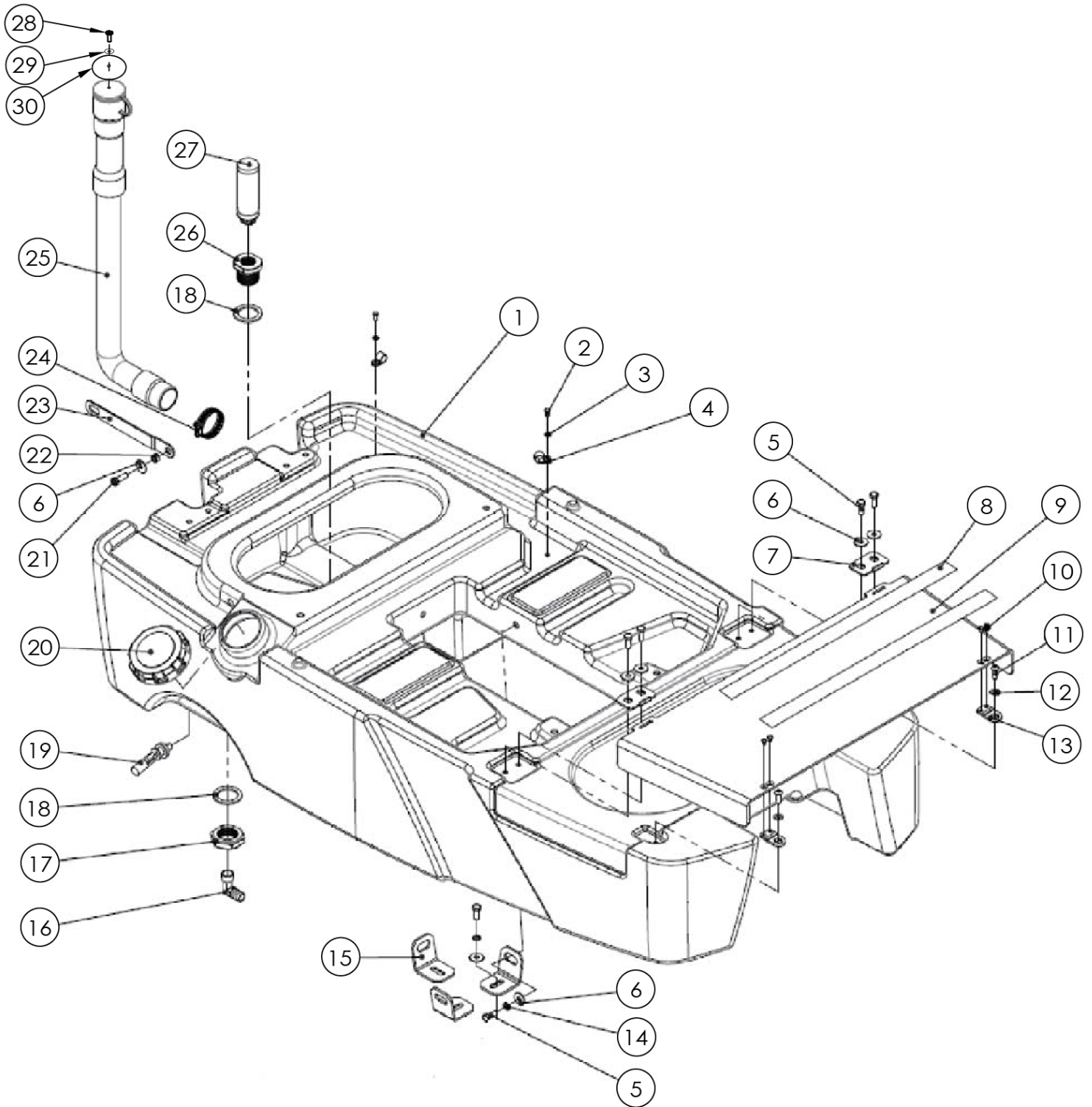
DRIVE TRAIN GROUP



SOLUTION TANK GROUP

ITEM	BrainCorpPN	ICE PN	DESCRIPTION	QTY
1	422-00105-01	8310101	Solution Tank	1
2	446-00155-01	1221512	Screw, Pan Head, M5x12	2
3	456-00115-01	1421510	Flat Washer, M5x10x1.0	2
4	442-00106-01	8003009	Clamp, Nylon	2
5	446-00110-01	1021820	Bolt, Hex Head, M8x20	12
6	456-00100-01	1421824	Flat Washer, M8x24x2.0	13
7	411-00190-01	8310139	Plate, Tank to Footrest	2
8	430-00101-01	8310151	Non-Slip Mat	2
9	411-00191-01	8310132	Footrest Plate	1
10	446-00169-01	1222508	Sunk Screw, M5x8	4
11	446-00158-01	1512820	Screw, Hex Socket, M8x20	2
12	456-00111-01	1421816	Flat Washer, M8x16x1.6	2
13	411-00192-01	8310140	Junction Plate	2
14	456-00102-01	1422821	Lock Washer, M8	8
15	411-00193-01	8310130	Bracket, Solution Tank Mounting	3
16	442-00197-01	8310124	Elbow, G1/2	1
17	444-00120-01	8310142	Nut, M36	1
18	438-00131-01	8310141	Sealing	2
19	442-00201-01	8310238A	Sensor, Solution Level	1
20	421-00108-01	8310125	Cap, Solution Tank	1
21	446-00154-01	1021825	Bolt, Hex Head, M8x25	1
22	460-00109-01	8310225	Sleeve, 8.1x12.7x7.8	1
23	411-00194-01	8310224	Arm, Recovery Tank Support	1
24	442-00198-01	1962050	Clamp, 2 Inch	1
25	800-00234-01	8320106	Hose Assembly Clear	1
26	442-00199-01	8310123	Adapter, Strainer Assembly	1
27	800-00164-01	8310122	Strainer Assembly	1
28	446-00241-01	1321210	Screw, ST4.2x9.5 Self-Tapping	1
29	456-00145-01	1421515	Washer, M5 5.3x15x1 SS	1
30	420-00108-01	-	Label Cap, Clean Water Drain (Auto-C Version)	1

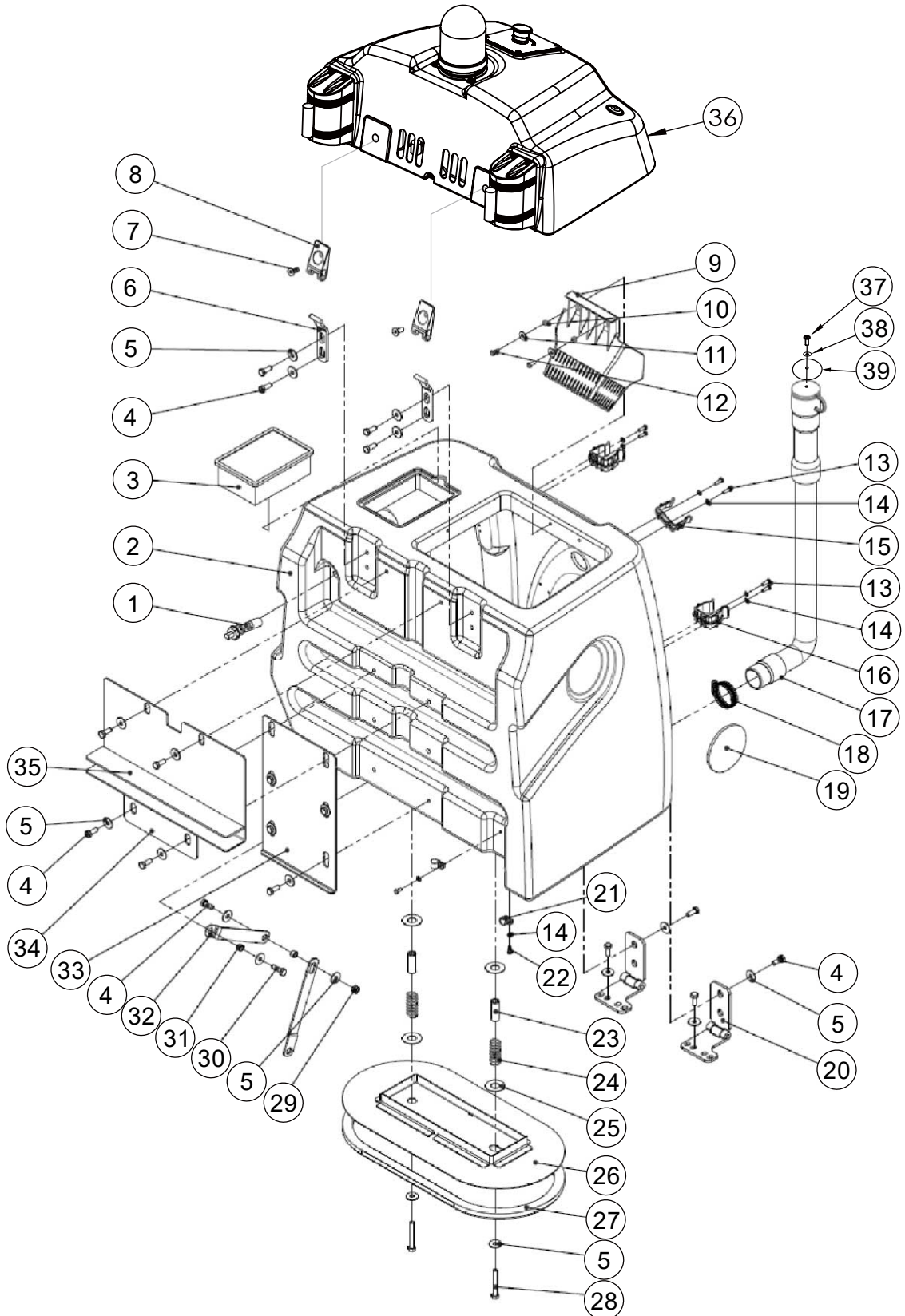
SOLUTION TANK GROUP



RECOVERY TANK GROUP

ITEM	BrainCorpPN	ICE PN	Description	QTY
1	442-00201-01	8310238A	Sensor, Solution Level, Kit	1
2	442-00205-01	8310201	Recovery Tank	1
3	442-00206-01	8310237	Filter, Dust	1
4	446-00110-01	1021820	Screw, M8x20mm HH	21
5	456-00100-01	1421824	Washer, M8	25
6	442-00207-01	8310227	Hinge, Welded	2
7	446-00175-01	1513820	Screw, Hex Socket, M8x20	2
8	442-00208-01	8310226	Hinge, Leaf	2
9	442-00209-01	8310250	Debris Collector	1
10	442-00210-01	8012008	Bushing	2
11	442-00211-01	1421618	Flat Washer, M6x18x1.6	2
12	446-00176-01	1321413	Self-Tapping, ST4.8X13	2
13	446-00177-01	1221516	Screw, Pan Head M5x16	8
14	456-00123-01	1421510	Flat Washer, M5x10x1.0	12
15	442-00212-01	6210111	Clamp, Hose	2
16	442-00213-01	2310129	Clamp, Hose	2
17	800-00235-01	8320205	Hose Assembly	1
18	442-00198-01	1962050	Clamp, 2"	12
19	442-00214-01	4010316	ICE Logo	2
20	442-00215-01	8310126	Hinge Assembly	2
21	442-00200-01	8113009	Clamp, Nylon	4
22	446-00155-01	1221512	Screw, Pan Head, M5x12	4
23	442-00215-01	8310221	Hinge Assy	2
24	450-00108-01	8310220	Compression Spring	2
25	456-00124-01	8310222	Flat Washer, Large	4
26	442-00216-01	8310216	Cover, Solution Tank	1
27	442-00217-01	8310219	Sealing Strip	1
28	446-00178-01	1022860	Bolt, Hex Head, M8x60	2
29	444-00122-01	1123810	Lock Nut, M8	1
30	446-00154-01	1021825	Bolt, Hex Head, M8x25	1
31	460-00109-01	8310225	Sleeve, 8.1x12.7x7.8	2
32	442-00221-01	8310223	Arm, Recovery Tank Support	1
33	442-00220-01	8310215	Bracket, Recovery Tank Support	1
34	442-00219-01	8310211	Bracket, Support	1
35	442-00218-01	8310214	Spacer, Rubber	1
36	RECOVERY TANK COVER GROUP			
37	446-00241-01	1321210	Screw, ST4.2x9.5 Self-Tapping SS	1
38	456-00145-01	1421515	Washer, M5 5.3x15x1 SS	1
39	420-00109-01	-	Label Cap, Dirty Water Drain	1

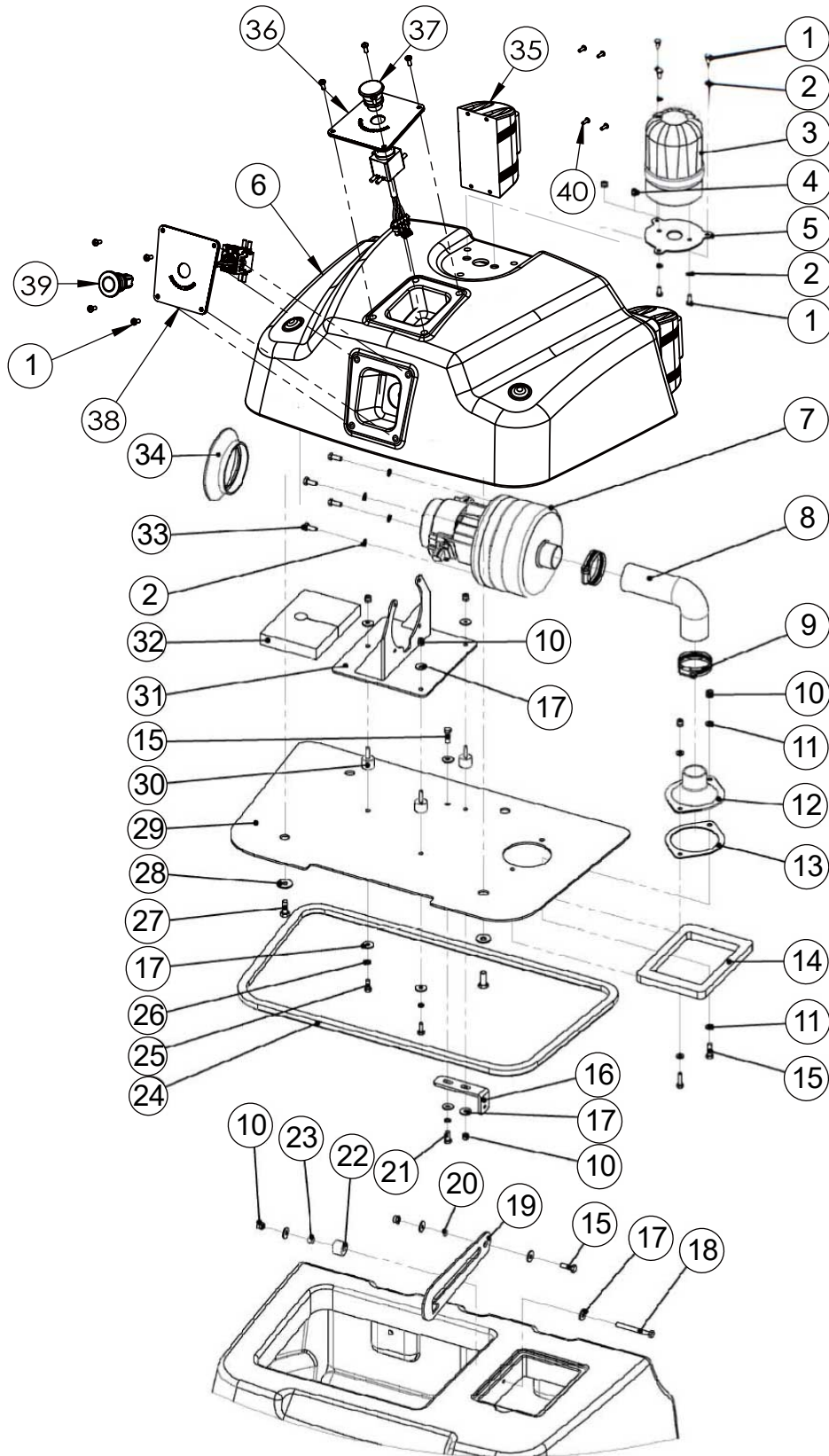
RECOVERY TANK GROUP



RECOVERY TANK COVER GROUP

ITEM	BrainCorpPN	ICE PN	DESCRIPTION	QTY
1	446-00196-01	1514512	Screw, Pan Head, M5x12, Black	13
2	456-00121-01	1421510	Flat Washer, M5x10x1.0	9
3	442-00202-01	8310165A	Caution Light, Kit	1
4	444-00118-01	1123507	Lock Nut, M5	2
5	411-00195-01	8310241	Plate, Caution Light	1
6	422-00102-01	8350201	Recovery Tank Cover	1
7	500-00140-01	8310260	Ametk Vacuum Motor, 3 Stage, Kit	1
8	460-00110-01	8310207	Vacuum Hose, Recovery Tank Cover	1
9	442-00198-01	1962050	Clamp, 2 Inch	2
10	444-00121-01	1123608	Lock Nut, M6	8
11	456-00105-01	1421612	Flat Washer, M6x12x1.6	4
12	442-00203-01	8310204	Adapter, Vacuum Hose	1
13	438-00132-01	8310205	Gasket, Adapter	1
14	438-00133-01	8310230	Gasket, Dust Filter	1
15	446-00170-01	1021620	Bolt, Hex Head, M6x20	4
16	411-00196-01	8310232	Bracket, Recovery Tank Cover	1
17	456-00113-01	1421618	Flat Washer, M6x18x1.6	12
18	446-00171-01	1022600	Bolt, Hex Head, M6x100	1
19	411-00197-01	8310228	Support, Recovery Tank Cover	1
20	460-00111-01	8310231	Sleeve, 6.4x9.5x4	1
21	446-00172-01	1021616	Bolt, Hex Head, M6x16	1
22	448-00110-01	8310236	Spacer, Nylon	1
23	460-00112-01	8310235	Sleeve, 6.4x9.5x8	1
24	438-00134-01	8310229	Sealing Strip	1
25	446-00173-01	1021610	Bolt, Hex Head, M6x10	2
26	456-00122-01	1422616	Lock Washer, M6	3
27	446-00110-01	1021820	Bolt, Hex Head, M8x20	4
28	456-00100-01	1421824	Flat Washer, M8x24x2.0	4
29	411-00198-01	8310203	Plate, Vacuum Motor Mounting	1
30	448-00111-01	8310208	Isolater, M6	3
31	411-00199-01	8310209	Bracket, Vacuum Motor	1
32	442-00204-01	8310234	Insulation, Recovery Tank Cover	1
33	446-00174-01	1311316	Screw, Self-Tapping, ST4.8x16	4
34	438-00135-01	8310206	Seal, Fan	1
35	442-00164-01	8350407	Safety Belt (US Version)	2
	442-00334-01	8350417	Safety Belt (JP Version)	2
36	800-00165-01	8350206K	Emergency Stop Plate with Decal and Gasket	1
37	500-00121-01	8310707	Button, Emergency Stop	1
38	800-00166-01	8350204K	Start-Stop Plate with Decal and Gasket	1
39	800-00190-01	8350402	Assembly, Start-Pause Button	1
40	446-00197-01	1514412	Screw, Pan Head, M4x12, Black	8

RECOVERY TANK COVER GROUP

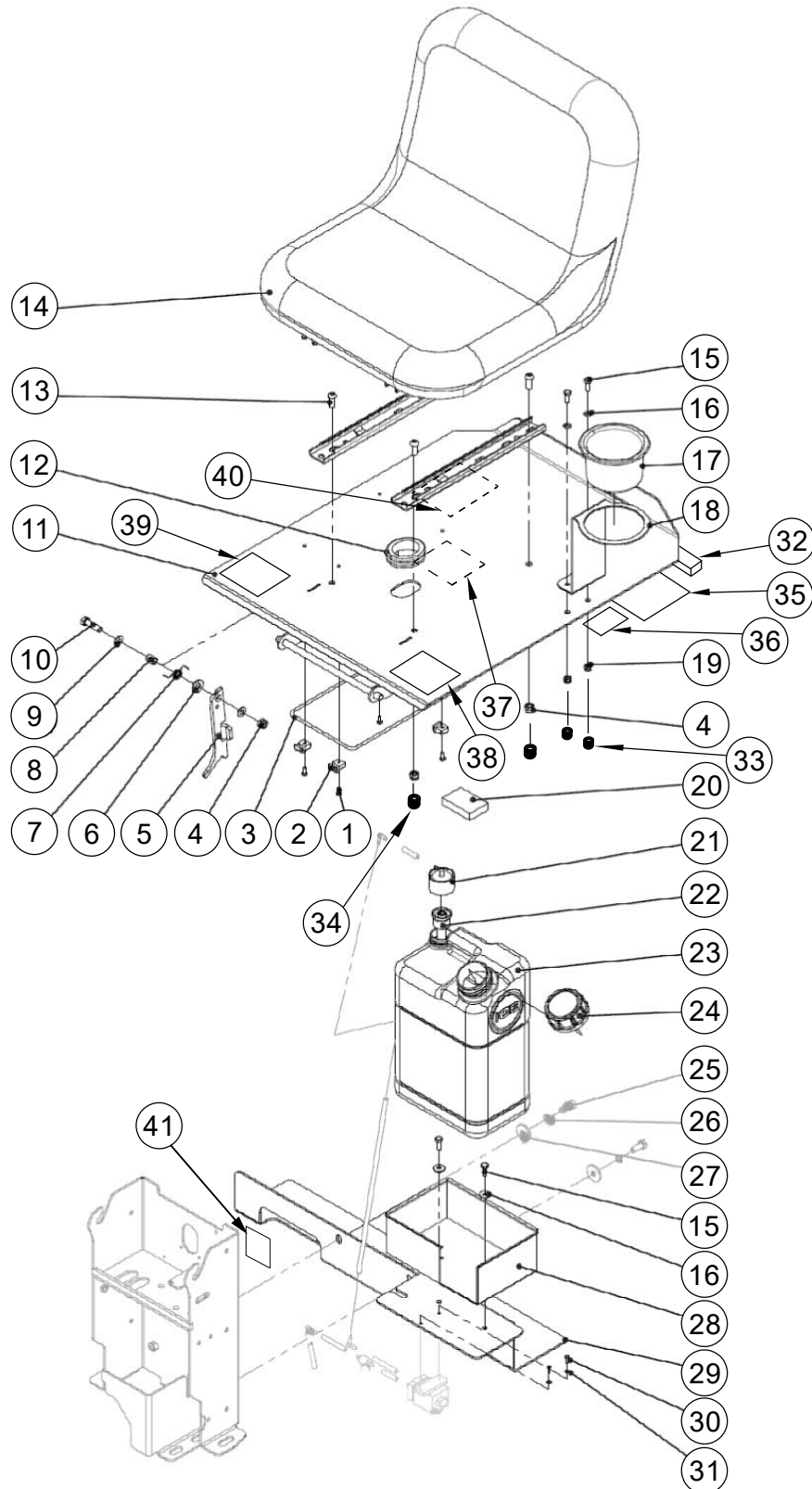


SEAT AND DETERGENT SYSTEM GROUP

ITEM	BrainCorpPN	ICE PN	DESCRIPTION	QTY
1	446-00180-01	1221412	Screw, Hex Head, M4x12	4
2	442-00238-01	8133502	Clamp, Seat Assembly	4
3	442-00239-01	8133501	Cargo Net	1
4	444-00122-01	1123810	Lock Nut, M8	5
5	411-00200-01	8310413	Support, Seat	1
6	448-00112-01	8117007	Nylon Spacer	1
7	450-00109-01	8310415	Torsion Spring, Seat Assembly	1
8	460-00113-01	8310414	Sleeve, 8.2x11x15	1
9	456-00111-01	1421816	Flat Washer, M8x16x1.6	2
10	446-00103-01	1021830	Bolt, Hex Head, M8x30	1
11	411-00201-01	8310411	Plate, Seat Mounting	1
12	442-00119-01	8310133	1-3/8" Grommet	1
13	446-00158-01	1512820	Screw, Hex Socket, M8x20	4
14	442-00240-01	8310402K	Seat, Kit	1
15	446-00172-01	1021616	Screw, Hex Head, M6x16	4
16	456-00113-01	1421618	Flat Washer, M6x18x1.6	4
17	442-00241-01	8310418	Cup Holder	1
18	411-00202-01	8310419	Bracket, Cup Holder	1
19	444-00121-01	1123608	Lock Nut, M6	2
20	448-00113-01		Spacer, Seat Assembly	1
21	442-00242-01	8310463	Adapter, Key	1
22	442-00243-01	8310464	Insert, Lock	1
23	420-00105-01	8310461	Bottle, Detergent	1
24	421-00109-01	8310462	Cap, Bottle	1
25	446-00110-01	1021820	Bolt, Hex Head, M8x20	2
26	456-00102-01	1422831	Lock Washer, M8	2
27	456-00125-01	1421828	Flat Washer, M8x28x2.5	5
28	411-00203-01	8310465	Box, Detergent Bottle	1
29	411-00204-01	8310421	Bracket, Bottle	1
30	446-00181-01	1221312	Screw, Hex Head, M3x12	2
31	456-00116-01	1421307	Flat Washer, M3x7x0.5	2
32	448-00115-01	8310460	Spacer Foam, BE-MK2-RS26	1
33	444-00133-01		M6 Plastic Cap Nut	2
34	444-00134-01		M8 Plastic Cap Nut	4
35	440-00129-01	--	Sticker, Under Seat Info (US)	1
36	440-00154-01	--	Sticker, Pin Code	1
37	440-00165-01		Label, Battery Diagram, English	1
	440-00147-01	8350450	Label, Battery Diagram, Japan	1

SEAT AND DETERGENT SYSTEM GROUP – Continuation

ITEM	BrainCorpPN	ICE PN	DESCRIPTION	QTY
38	440-00166-01		Label, Flammable Material Warning, English	1
	440-00151-01	8350454	Label, Flammable Material Warning, Japan	1
39	440-00167-01		Label, BE-Mk2-RS26 Battery Warning, English	1
	440-00150-01	8350453	Label, BE-Mk2-RS26 Battery Warning, Japan	1
40	440-00148-01	8350451	Label, BE-MK2-RS26 Emergency Brake, Japan	1
41	440-00189-01	--	Label, BE-Mk2A-RS26 Compliance	1

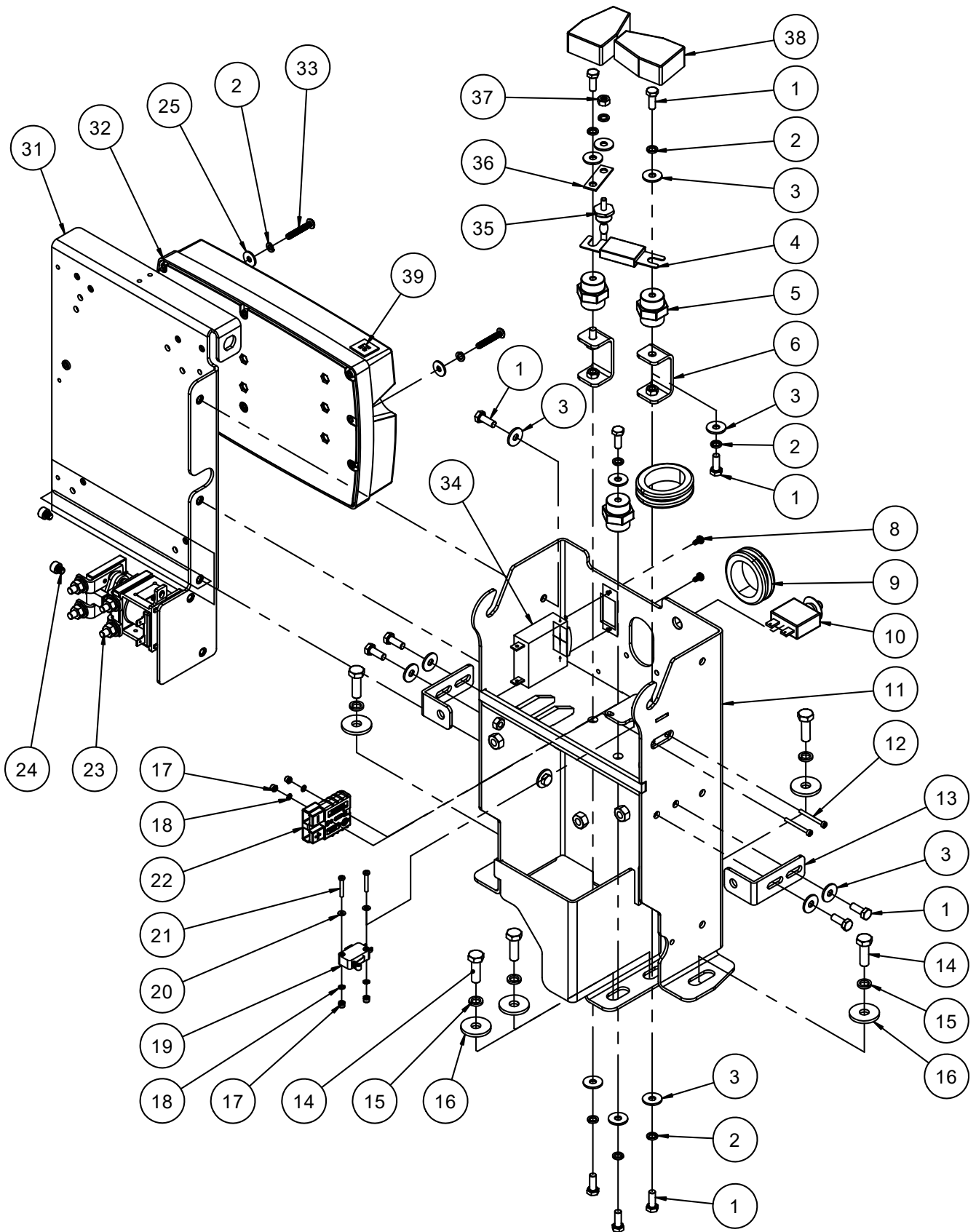
SEAT AND DETERGENT SYSTEM GROUP

PARTS LIST

MAIN CONTROLLER GROUP

ITEM	BrainCorp PN	ICE PN	Description	QTY.
1	446-00172-01	1021616	Bolt, Hex Head, M6x16	12
2	456-00122-01	1422616	Lock Washer, M6	18
3	442-00211-01	1421618	Flat Washer, M6x18x1.6	15
4	230-00104-01	8310480	Fuse, 150A	1
5	442-00251-01	8114705	Insulator	3
6	442-00259-01	8310422	Bracket, Insulator	2
7	Removed			
8	446-00194-01	1224304	Screw, Pan Head with Lock Washer 6.32x5.16	4
9	442-00119-01	8310133	Rubber Grommet	2
10	275-00134-01	6210504	Circuit Breaker, 2A	1
11	442-00255-01	8310450	Bracket, Scrub Head Lifting	1
12	446-00186-01	1211330	Screw, Pan Head, M3x30	2
13	442-00256-01	8310425	Bracket	2
14	446-00154-01	1021825	Bolt, Hex Head, M8x25	5
15	456-00102-01	1422821	Lock Washer, M8	5
16	456-00125-01	1421828	Flat Washer, M8x28x2.5	5
17	456-00127-01	1123305	Lock Nut, M3	4
18	456-00128-01	1434300	Washer, Tooth, M3	4
19	235-00102-01	8310423	Micro Switch	1
20	456-00116-01	1421307	Flat Washer, M3x7x0.5	2
21	446-00187-01	1211320	Screw, Pan Head, M3x20	2
22	442-00257-01	8350293	Off Board Charger Cable	1
	810-00214-01	--	Cable Assy, Charger Port 6AWG SB50 Red	
23	500-00143-01	8310492	Master Contactor, Double	1
24	446-00200-01		Screw, M6x8 SS, SHCS	2
25	456-00115-01	1421510	Flat Washer, M5x10x1.0	2
26	Removed			
27	Removed			
28	Removed			
29	Removed			
30	Removed			
31	411-00160-01	8250122	Bracket, Battery Charger	1
32	800-00231-01	8310490	Main Controller	1
33	446-00193-01	1512530	Screw, Button Head, M5x30	2
34	500-00145-01	8350259	Circuit Breaker, 20A Panel	1
35	810-00176-01	8310494	Diode with Cable	1
36	442-00283-01	8310495	Bus Bar	1
37	442-00142-01	1121605	M6 Nut	1
38	442-00112-01	--	Terminal covers, Black	2
39	442-00409-01		Adhesive-Back Cable Tie Mount .75x.75"	1

MAIN CONTROLLER GROUP

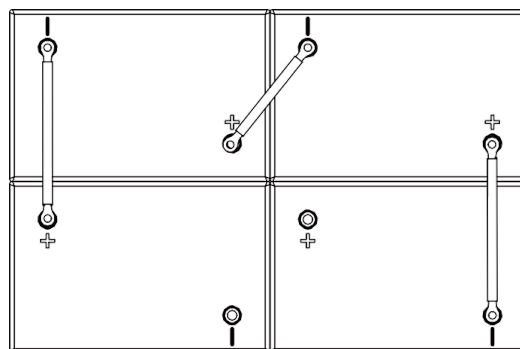


PARTS LIST

BATTERY GROUP

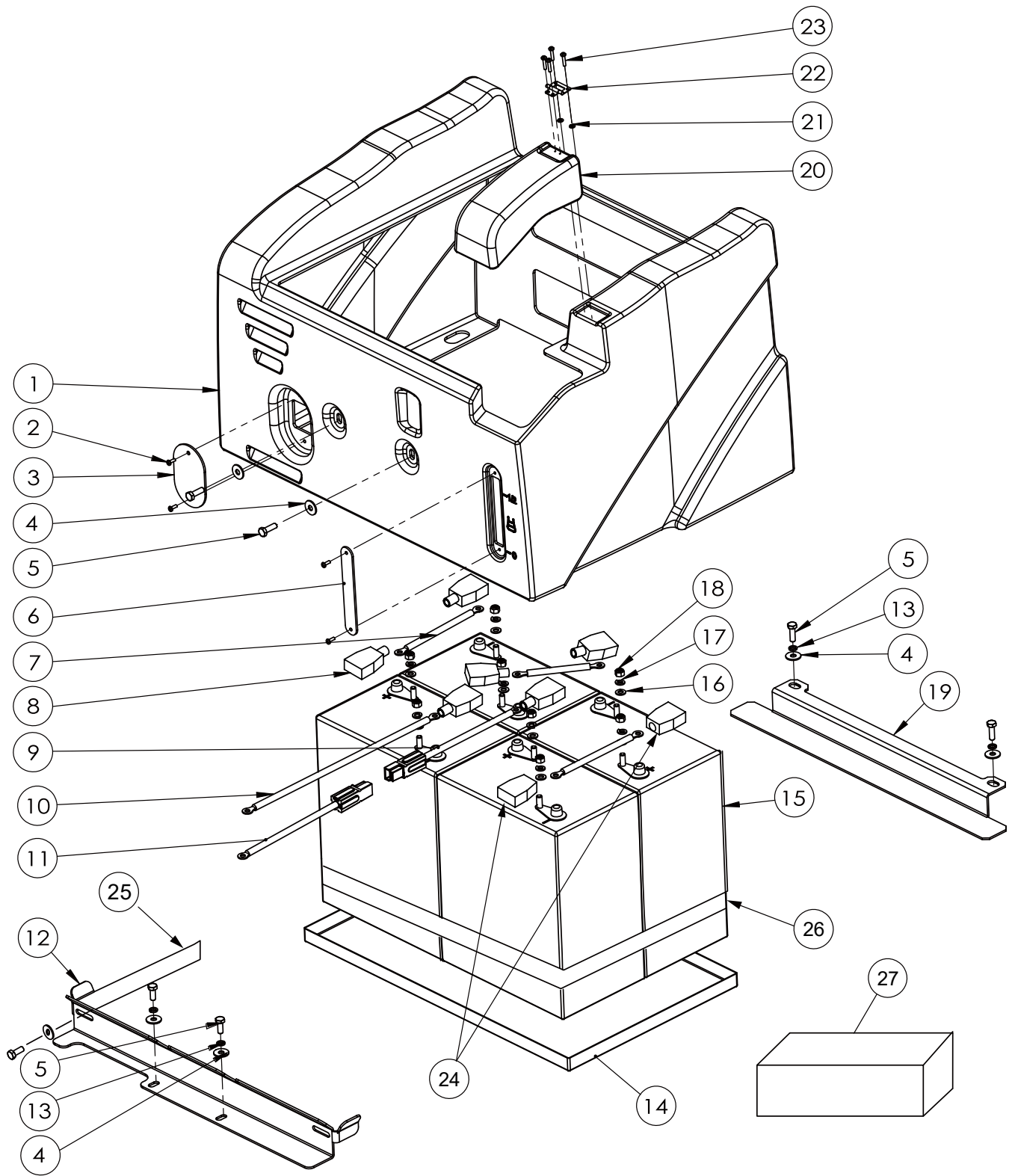
ITEM	BrainCorpPN	ICE PN	DESCRIPTION	QTY
1	442-00222-01	8310401	Box, Battery	1
2	446-00161-01	1221412	Screw, Pan Head, M4x12	4
3	442-00232-01	8210114	Cover, Charger	1
4	456-00100-01	1421824	Washer, M8 Oversize	7
5	446-00110-01	1021820	Screw, M8x20mm HH	7
6	442-00231-01	8310406	Cover, Detergent Level	1
7	442-00343-01	8350294	Battery Connect Cable 4AWG, Black, ICE RS26	3
	442-00230-01	8210141	Battery Connect Cable, Black (6AWG)	
8	442-00112-01	--	Jacket, Battery Terminal Covers, Black	6
9	442-00346-01	8350297	Battery Connect Cable 4AWG (505mm), Red, RS26	1
	442-00228-01	8310737	Battery Connect Cable, Red (6AWG)	
10	442-00344-01	8350295	Battery Connect Cable 4AWG (584mm), Black, RS26	1
	442-00229-01	8310733	Battery Connect Cable, Black (6AWG)	
11	442-00345-01	8350296	Battery Connect Cable 4AWG (410mm), Red, RS26	1
	442-00227-01	8310736	Battery Connect Cable, Red (6AWG)	
12	442-00226-01	8310136	Support, Battery, Front	1
13	456-00102-01	1422821	M8 Lock Washer	4
14	442-00224-01	8310135	Tray, Battery	1
15	310-00104-01	--	Battery, Full River DC335. 6 Volt. 335AH	4
	310-00111-01	--	Battery, AGM, Discover EV305A-A 6V 330AH	
16	456-00111-01	1421816	Flat Washer, M8x16x1.6	8
17	456-00102-01	1422821	M8 Lock Washer	8
18	444-00128-01	1121807	Nut, M8, 316 Stainless Steel	8
19	442-00223-01	8310131	Support, Battery, Rear	1
20	442-00234-01	8310403	Cover, Detergent Bottle	1
21	456-00104-01	1421409	Washer, M4	4
22	442-00233-01	8310404	Hinge Assembly	1
23	446-00179-01	1662416	Rivet, 4.0x16	4
24	442-00310-01	--	Cover, Battery Terminal, Hard Plastic	2
25	442-00225-01	8310407	Plate, Battery	1
26	442-00314-01	8300016	Battery Belt	1
27	442-00315-01	8113013	Foam Spacer (shipped individually for JP units)	1

TORQUE TABLE		
HARDWARE	VALUE (IN-LB)	VALUE (N-M)
M8 Nut	65	~7.3



Orientation of batteries

BATTERY GROUP



CHARGER COMPONENTS – NOT SHOWN

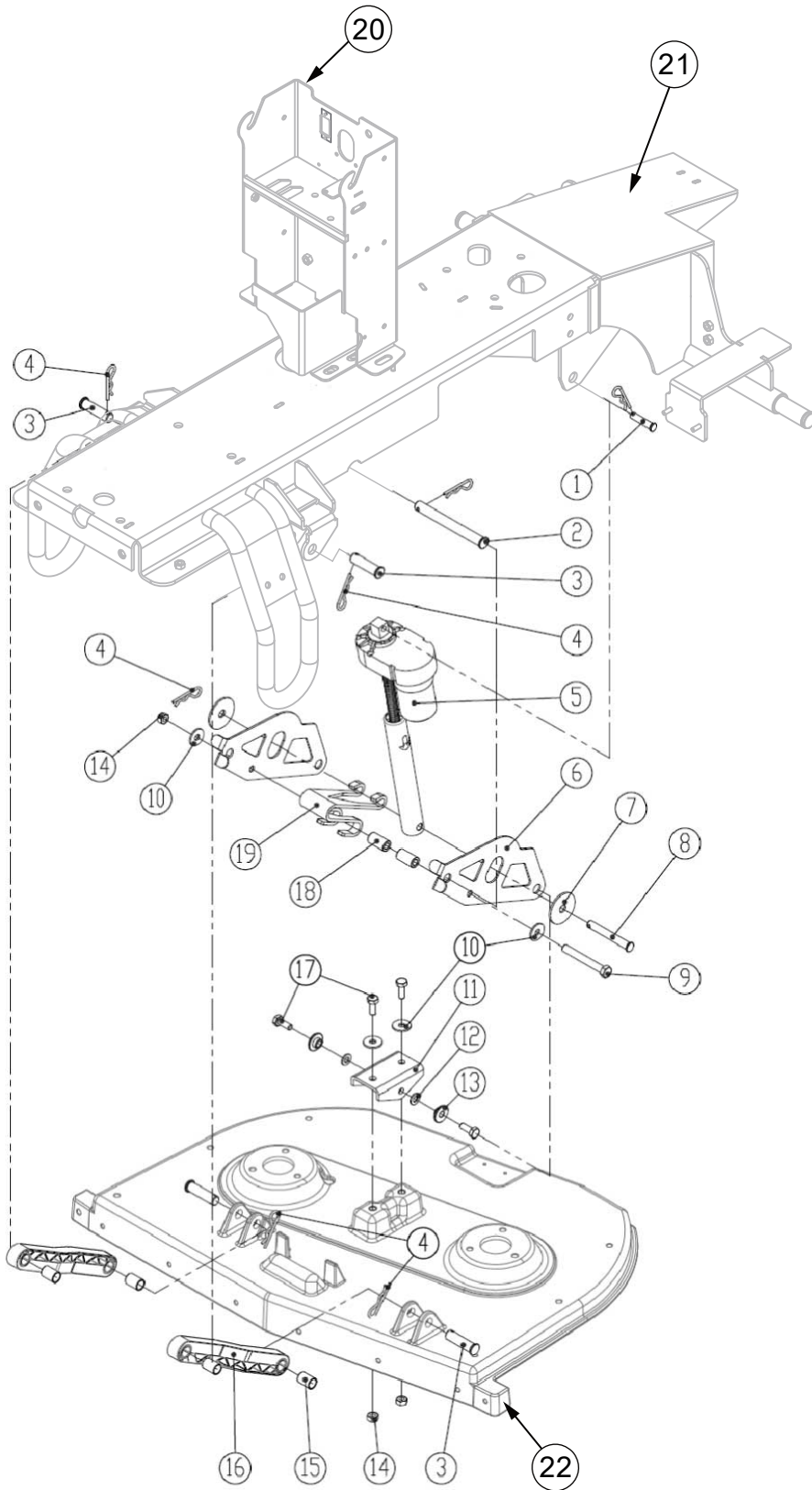
BATTERY PART NO.	BATTERY MODEL	CHARGER PROFILE	CHARGER PART NO.
310-00104-01	Full River DC335	Profile #141	800-00269-01
310-00111-01	Discover EV305A	Profile #43	800-00272-01

CHARGER CABLE	DESCRIPTION
810-00224-01	Cable Assy, IC1200 DC 2.5M 6AWG SB Red
275-00106-01	Power Cord, Battery Charger Locking/Sealed 3m, US

SCRUB HEAD LIFTING GROUP

ITEM	BrainCorpPN	ICE PN	DESCRIPTION	QTY
1	442-00193-01	8210301	Pin, 9.5x38	1
2	442-00191-01	8310311	Pin, 16x150	1
3	442-00194-01	8310312	Pin, 16x57	4
4	442-00182-01	8210309	Pin, Cotter	7
5	500-00139-01	8310303A	Linear Actuator, Kit	1
6	411-00188-01	8310305	Plate, Arm, Scrub Head Lifting	2
7	456-00119-01	8310314	Flat Washer, Large	2
8	442-00195-01	8310313	Pin, 12x90	1
9	446-00167-01	1032090	Bolt, Hex Head, M10x90	1
10	456-00118-01	1421030	Flat Washer, M10x30x2.5	4
11	411-00189-01	8310304	Bracket, Scrub Head Lifting	1
12	456-00120-01	1421020	Flat Washer, M10x20x2	2
13	442-00196-01	8310307	Bushing, Flange	2
14	444-00119-01	1123012	Lock Nut, M10	3
15	460-00107-01	8310144	Sleeve, 16x18.6x25.4	4
16	421-00107-01	8310118	Arm, Scrub Head Lifting	2
17	446-00168-01	1011025	Bolt, Hex Head, M10x25	4
18	460-00108-01	8310306	Sleeve, 10.5x18.5x34	2
19	450-00107-01	8310308	Spring, Scrub Head	1
20	MAIN CONTROLLER GROUP			
21	MAIN FRAME AND PERIMETER GUARDS GROUP			
22	SCRUB HEAD GROUP			

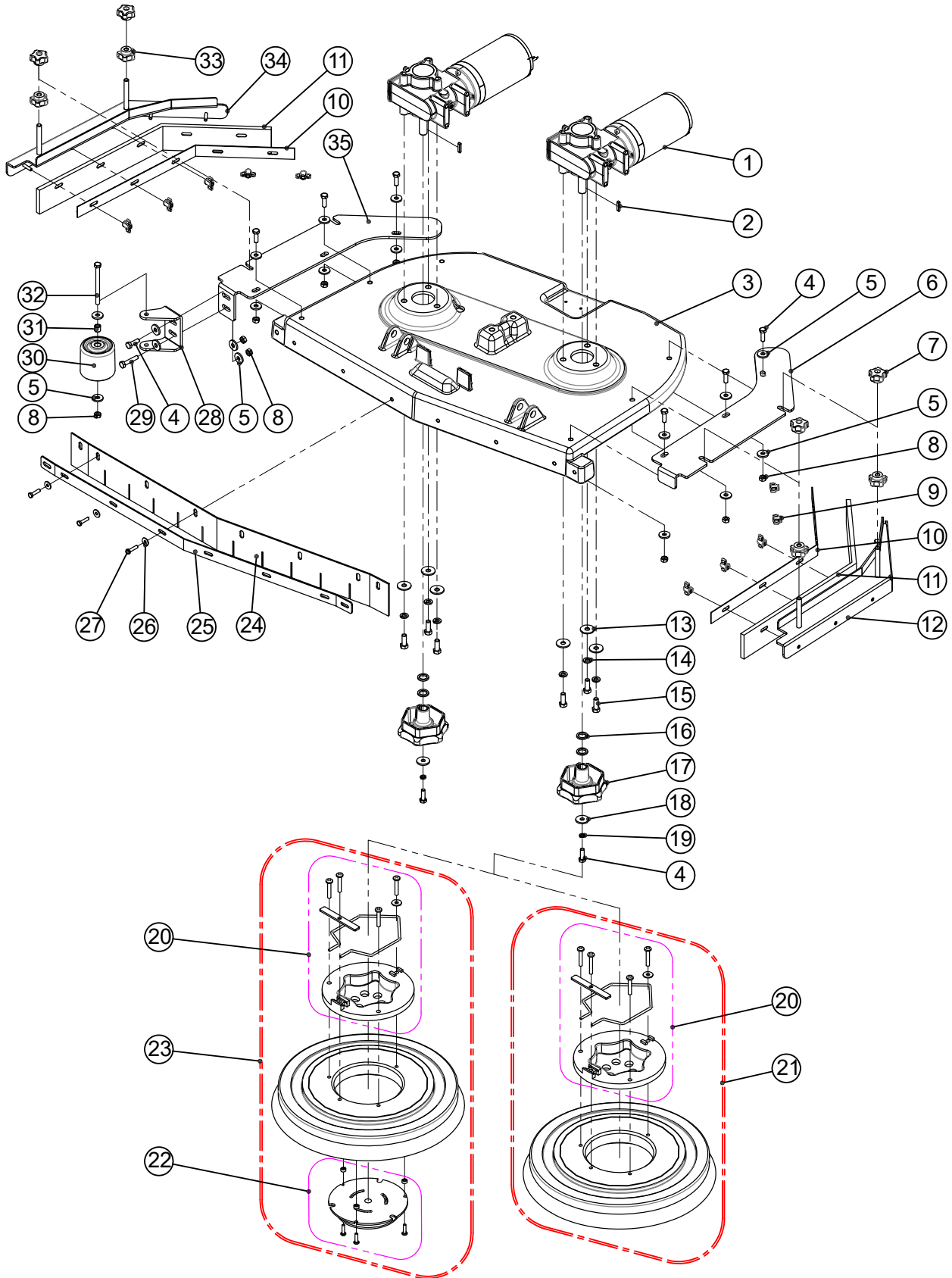
SCRUB HEAD LIFTING GROUP



SCRUB HEAD GROUP

ITEM	BrainCorpPN	ICE PN	DESCRIPTION	QTY
1	500-00141-01	8310399	Brush Motor, 24VDC 450W, Kit	2
2	442-00244-01	1655025	Key, 5x5x25	2
3	412-00121-01	8311301A	Scrub Head Housing, RS26 (overlapping brushes)	1
4	446-00103-01	1021830	Bolt, Hex Head, M8x30	9
5	456-00100-01	1421824	Flat Washer, M8x24x2.0	18
6	411-00205-01	8310356	Bracket, Left	1
7	442-00245-01	8210532	Knob, M10, Upper	4
8	444-00122-01	1123810	Lock Nut, M8	9
9	442-00157-01	8210531	Knob, M6	10
10	411-00207-01	8310355	Clamp, Side Skirt	2
11	442-00246-01	8310365	Blade, Side Skirt	2
12	411-00208-01	8310357	Bracket, Side Skirt, Left	1
13	456-00120-01	1421020	Flat Washer, M10x20x2.0	6
14	444-00124-01	1422010	Lock Nut, 3/8	6
15	446-00182-01	1023010	Bolt, Hex Head, 3/8-16x1	6
16	448-00114-01	8210804	Spacer, Scrub Head	4
17	442-00247-01	8210805	Hub, Brush Drive	2
18	456-00125-01	1421828	Flat Washer, M8x28x2.5	2
19	456-00102-01	1422821	Lock Washer, M8	2
20	800-00167-01	9000004	Clutch, G-400S	2
21	442-00248-01	9050013P	13" Soft Nylon Brush	2
	900-00102-01	9050013	13" Poly Brush	2
	442-00249-01	9050013B	13" Aggressive Brush	2
22	800-00168-01	9000003	Center Lock, #3	2
23	800-00169-01	9040013	Pad Driver, 13 Inch, RS26	2
24	411-00209-01	8311358	Skirt, RS26	1
25	411-00210-01	8311359	Clamp, Skirt, RS26	1
26	456-00113-01	1421618	Flat Washer, M6x18x1.6	7
27	446-00172-01	1021616	Bolt, Hex Head, M6x16	7
28	411-00211-01	8311656	Bracket, Protective Wheel	1
29	446-00183-01	1021840	Bolt, Hex Head, M8x40	1
30	442-00250-01	8310362	Protective Wheel	1
31	460-00106-01	8115404	Sleeve, 8x12.7x12.7	6
32	446-00184-01	1022800	Bolt, Hex Head, M8x100	1
33	442-00312-01	8310354	Knob, M10, Lower	4
34	411-00212-01	8310351	Bracket, Side Skirt, Right	1
35	411-00213-01	8310353	Bracket, Right	1

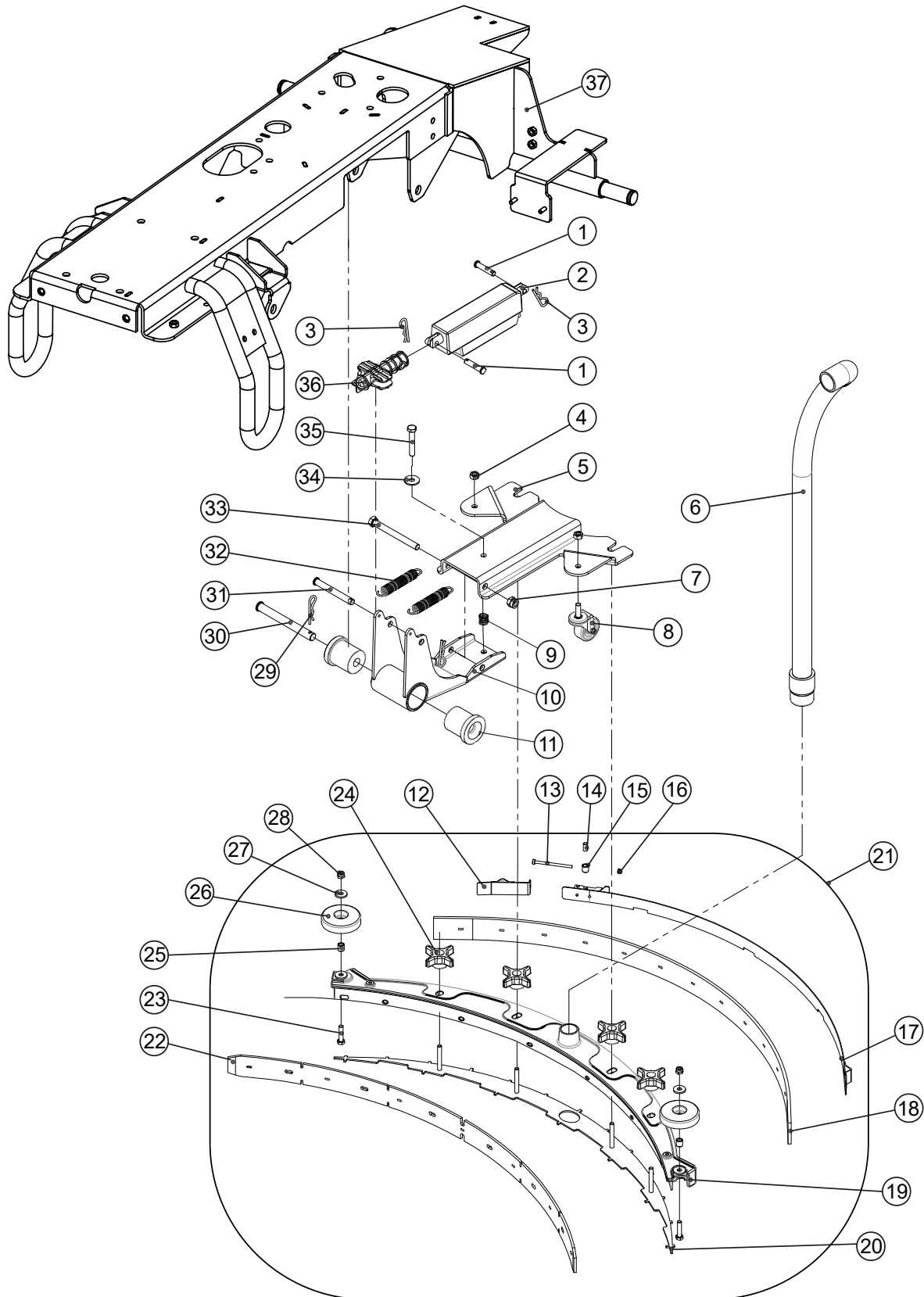
SCRUB HEAD GROUP



SQUEEGEE GROUP

ITEM	BrainCorpPN	ICE PN	DESCRIPTION	QTY
1	442-00181-01	8310506	Pin, 10x45	2
2	500-00138-01	8310590A	Linear Actuator	1
3		8210320	Pin, Cotter	2
4	444-00116-01	1121008	Hex Nut, M10	2
5	411-00185-01	8310503	Bracket, Squeegee	1
6	442-00183-01	8310240	Vacuum Hose	1
7	444-00117-01	1123115	Lock Nut, M12	1
8	442-00184-01	8310550	Caster, 2 Inch	2
9	450-00105-01	8310501	Compression Spring	1
10	411-00186-01	8310504	Arm, Squeegee Lifting	1
11	442-00185-01	8310505	Flex Bushing, TPU	2
12	800-00161-01	8210525	Short Clamp Assembly	1
13	446-00163-01	1221575	Screw, Pan Head, M5x75	1
14		8118624	Shaft	1
15		8118623	Spacer	1
16	444-00118-01	1123507	Lock Nut, M5	1
17	800-00162-01	8311514	Clamp Assembly, RS26	1
18	442-00187-01	8311531	Rear Blade, Linatex, RS26	1
		8311541	Rear Blade, PU, RS26	1
19	460-00105-01	8311561	Squeegee Hosing, RS26	1
20	442-00188-01	8311562	Retainer, Squeegee, RS26	1
21	830-00155-01	8311560	Rear Squeegee Assembly, RS26	1
22	442-00189-01	8311534	Front Blade, Linatex, RS26	1
		8311544	Front Blade, PU, RS26	1
23	446-00164-01	1021835	Bolt, Hex Head, M8x35	2
24	442-00186-01	8210518	Knob, M8	4
25	460-00106-01	8115404	Sleeve, 8x12.7x12.7	2
26	442-00190-01	8116009	Protective Wheel	2
27	456-00100-01	1421824	Flat Washer, M8x24x2	4
28	456-00102-01	1123810	Lock Nut, M8	2
29	442-00182-01	8210309	Pin, Cotter	2
30	442-00191-01	8310311	Pin, 16x150	1
31	442-00192-01	8310508	Pin, 12x100	1
32	450-00106-01	8310509	Extension Spring	2
33	446-00165-01	1031212	Bolt, Hex Head, M12x120	1
34	456-00118-01	1421030	Flat Washer, M10x30x2.5	1
35	446-00166-01	1021060	Bolt, Hex Head, M10x60	1
36	215-00196-01	8310507	Adapter	1
37	MAIN FRAME WITH PERIMETER GUARDS GROUP			

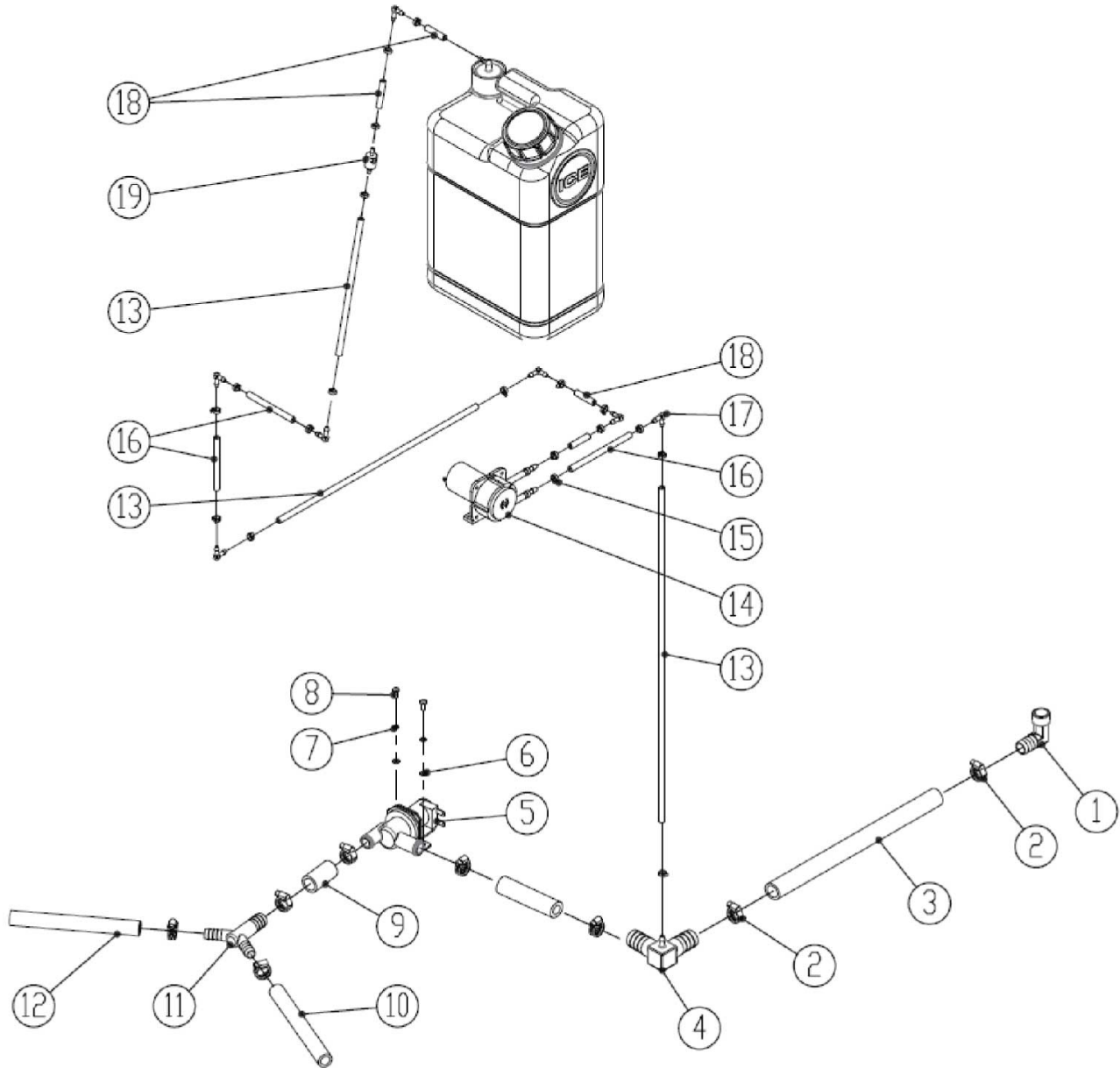
SQUEEGEE GROUP



SOLUTION AND DETERGENT SYSTEM GROUP

ITEM	BrainCorpPN	ICE PN	DESCRIPTION	QTY
1	442-00197-01	8310124	Elbow, G1/2	1
2	442-00252-01	1962025	Clamp 16-25mm	8
3	460-00114-01	8310901	Tubing, ID=16mm L=500mm	1
4	442-00270-01	8310375	Elbow, Chemical Connector	1
5	500-00153-01	8350371	Solenoid Valve, 24VDC	1
6	456-00115-01	1421510	Flat Washer, M5x10x1.0	2
7	456-00126-01	1422513	Lock Washer, M5	2
8	446-00155-01	1221512	Screw, Pan Head, M5x12	2
9	460-00115-01	8310902	Tubing, ID=16mm L=40mm	1
10	460-00116-01	8310903	Tubing, ID=12mm L=175mm	1
11	420-00106-01	8310373	Fitting, Plastic	1
12	460-00117-01	8310904	Tubing, ID=12mm L=210mm	1
13	460-00124-01	8310905	Tubing, ID=4mm L=330mm	3
14	500-00136-01	8310930A	Peristaltic Pump, Kit	1
15	442-00253-01	1914080	Tie, 3x80mm	19
16	460-00125-01	8310910	Tubing, ID=4mm L=100mm	3
17	442-00254-01	8310467	Fitting	7
18	460-00123-01	8310909	Tubing, ID=4mm L=30mm	4
19	460-00122-01	8310466	One Way Valve	1

SOLUTION AND DETERGENT SYSTEM GROUP

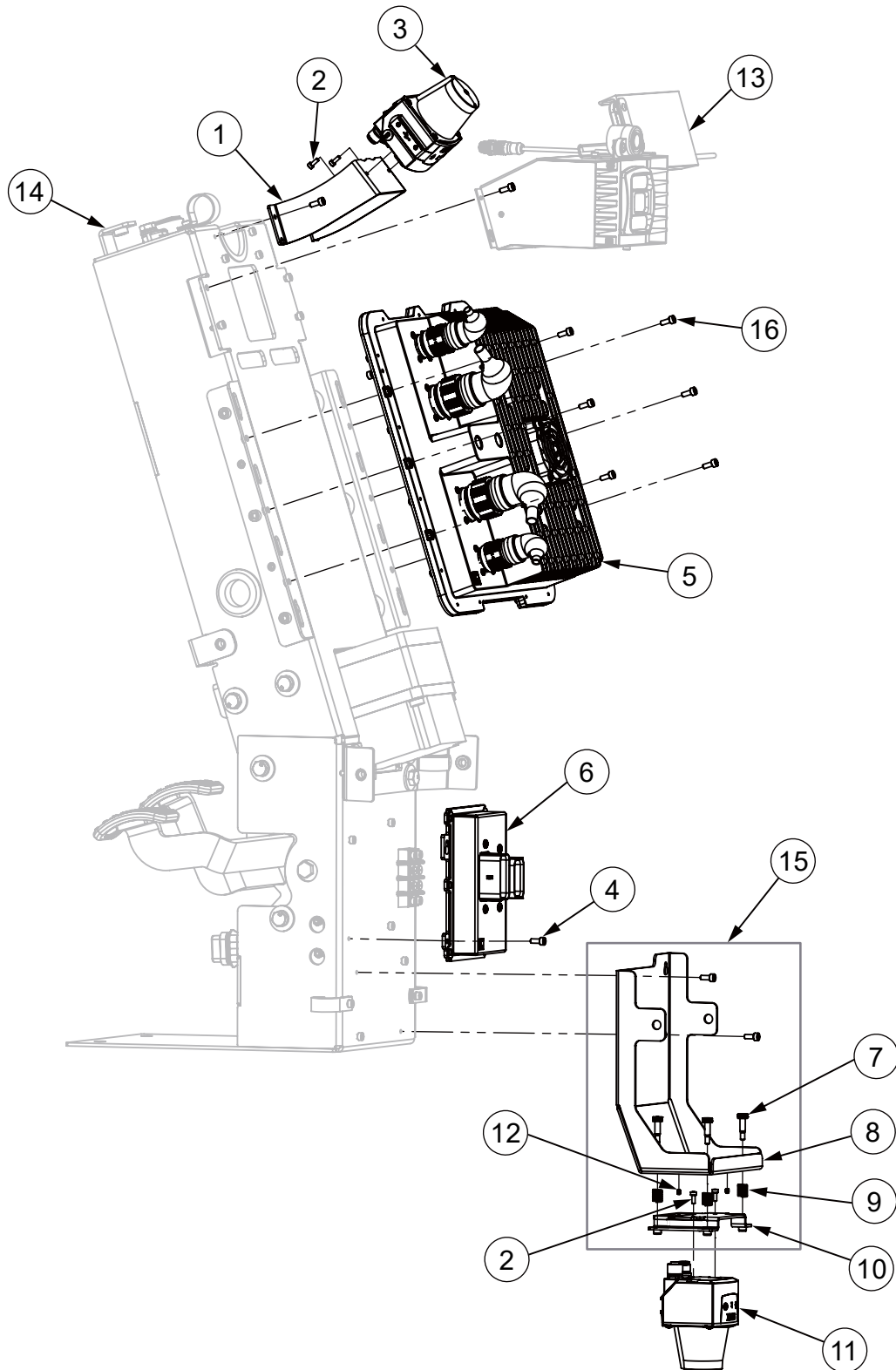


STEERING HOUSING GROUP

ITEM	BrainCorpPN	ICE PN	DESCRIPTION	QTY
1	411-00149-01	8350113	Bracket, Upper LIDAR	1
2	446-00128-01	1521308	Screw, M3x8mm SHC	4
3	800-00142-01	8350240	Slanted LIDAR	1
	800-00241-01*		Slanted 7 LIDAR *	
4	446-00150-01	1521410	Screw, M4x10mm SS SHC	5
5	830-00156-01		Brain Control Module Mk2A	1
	830-00113-01	8350257	Brain Control Module	
6	830-00174-01		Motor Amplifier Module, V2	1
7	446-00221-01	--	Shoulder Bolt, LIDAR Adjust	3
8	411-00248-01	--	Bracket, Lower LIDAR V2	1
9	450-00100-01	8350248	Lidar Spring	3
10	411-00246-01	--	Bracket, LIDAR Adjust V2	1
11	800-00238-01		Horizontal 5 LIDAR	1
12	446-00232-01	--	Set Screw, M3x10mm, Allen Socket Head, 316 SS	2
13	IFM O3D HOUSING GROUP			
14	MAIN TOWER GROUP			
15	830-00175-01	--	Assy, Lower Lidar Mount Replacement Service (V2)	1
16	446-00201-01	--	Screw, M4x12mm SS SHC	6

* NOTE: Slanted 7 LIDAR (TiM 571), 800-00241-01, installation requires authorization from Brain Engineering

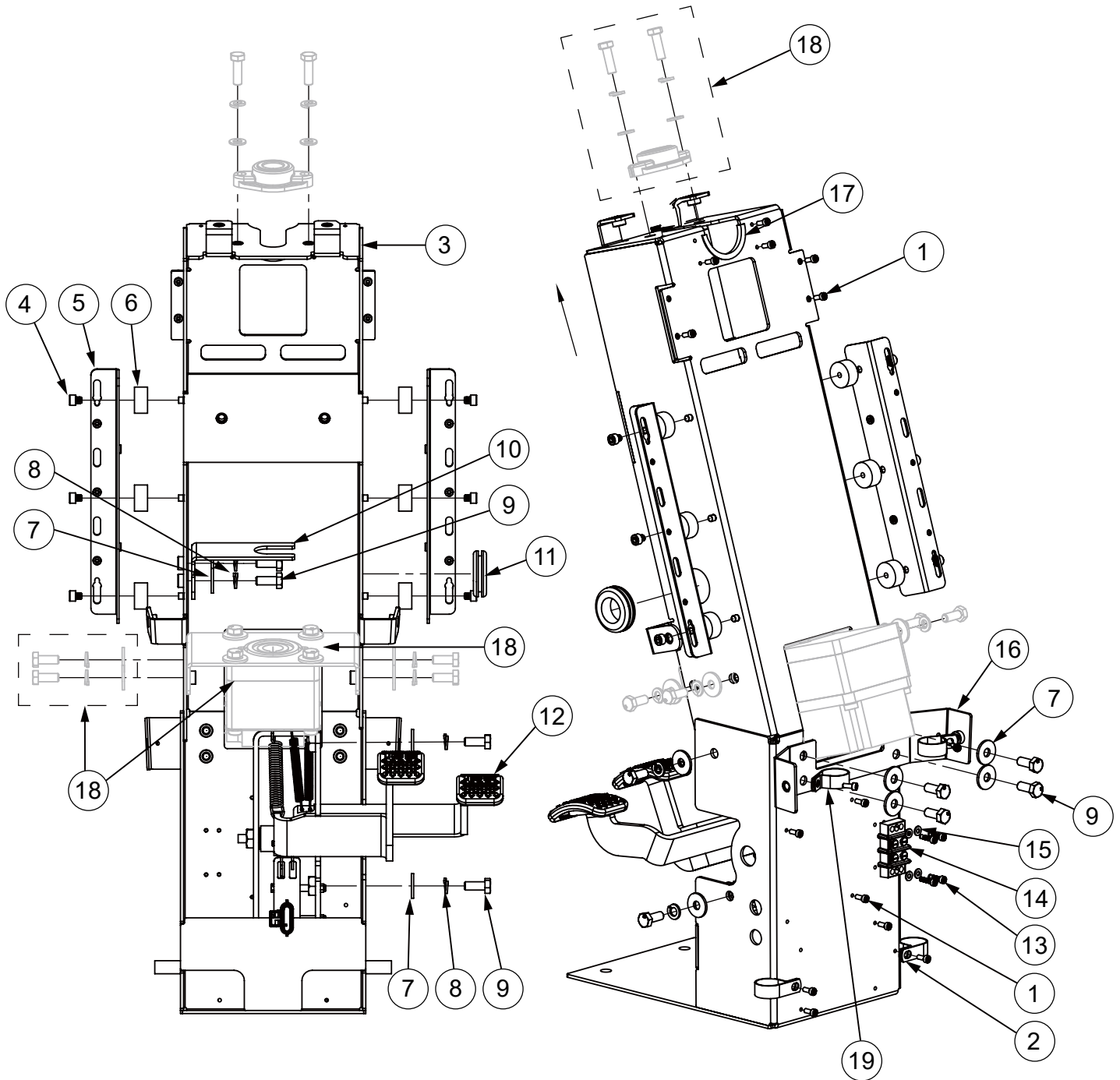
STEERING HOUSING GROUP



MAIN TOWER GROUP

ITEM	BrainCorpPN	ICE PN	DESCRIPTION	QTY
1	446-00150-01	1521410	Screw, M4x10mm SS SHC	15
2	442-00171-01	6210131	1" Cable Clamp	3
3	411-00146-01	8350110	Bracket, Main Support	1
4	446-00115-01	1521606	Screw, M6x6mm SHC	6
5	411-00135-01	8350102	Bracket, Brain Control Module	2
6	442-00117-01	8350234	Rubber Damping Mount	6
7	456-00100-01	1421824	Washer, M8 Oversize	16
8	456-00102-01	1422821	Washer, M8 Lock	4
9	446-00110-01	1021820	Screw, M8x20mm HH	8
10	411-01134-01	8350186	Flange, Shaft Collar	1
11	442-00119-01	8310133	1-3/8" Grommet	1
12	500-00132-01	8310640	Foot Pedal Assy	1
13	446-00135-01	1521416	M4x16 SHC SS Screw	4
14	500-00133-01	8350235	Barrier Block	1
15	456-00104-01	1421409	Washer, M4	4
16	411-00167-01	8350184	Bracket, Belly	1
17	442-00165-01	8350233	Main Tower Edge Trim	1
18	DRIVE TRAIN GROUP			
19	--	8350016	1.5" Cable Clamp	1

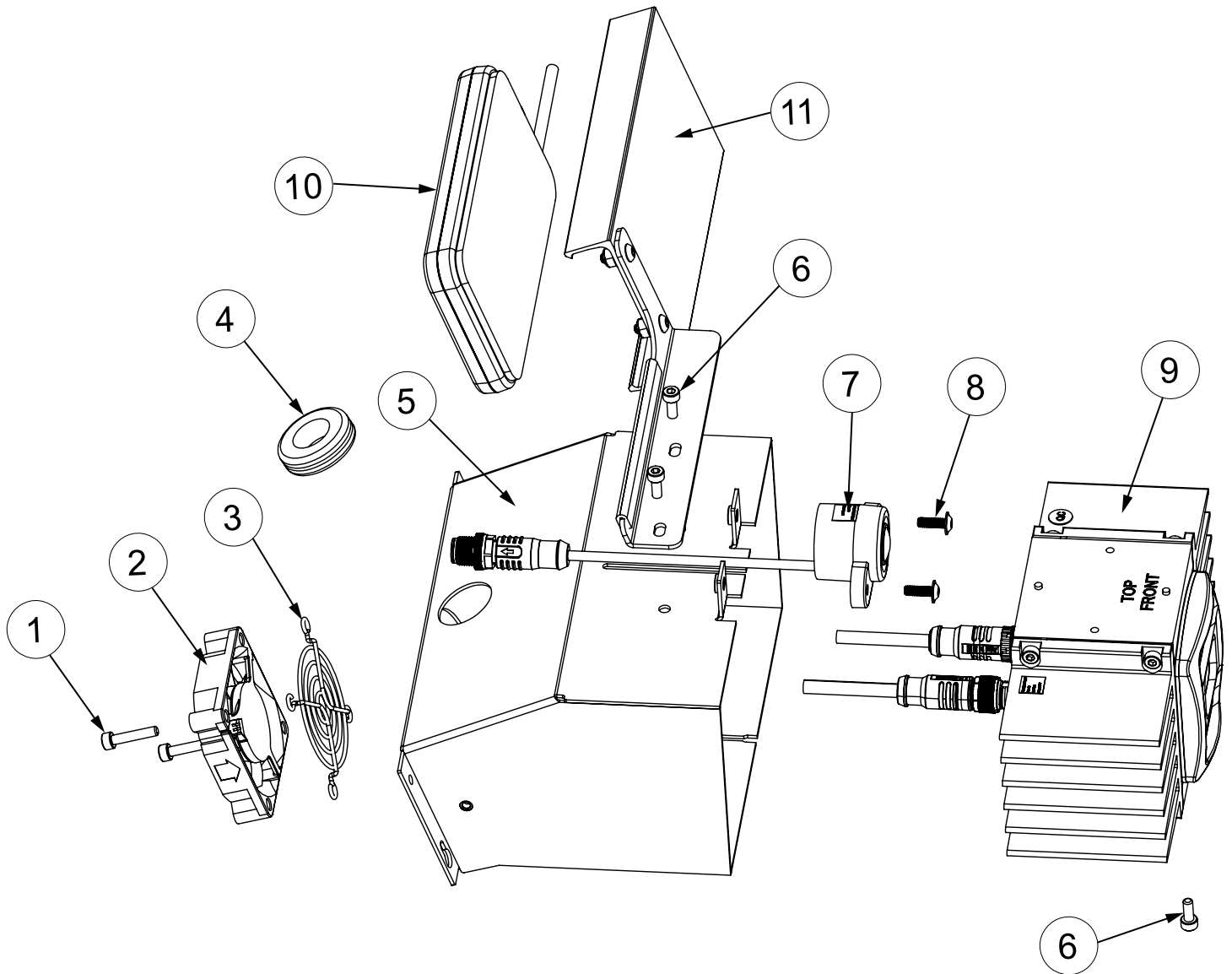
MAIN TOWER GROUP



IFM O3D HOUSING GROUP

ITEM	BrainCorpPN	ICE PN	DESCRIPTION	QTY
1	446-00137-01	1521420	M4x20mm SHC Screw	2
2	800-00149-01	8350243	60mm Fan Assembly	1
3	500-00117-01	8350244	Finger Guard, 60mm	1
4	442-00118-01	8350245	1" Grommet	1
5	411-00151-01	8350114	Bracket, O3D Housing	1
6	446-00150-01	1521410	Screw, M4x10mm SS SHC	3
7	830-00114-01	8350242	110 2D Camera Module	1
8	446-00197-01	1514412	Screw, Pan Head, M4x12, Black	2
9	830-00115-01	8350241	Sensor, IFM O3D with Heatsinks	1
10	500-00147-01	--	Antenna, 4G Sentinel	1
11	800-00192-01	--	Kit, Sentinel Antenna Bracket	1

IFM O3D HOUSING GROUP

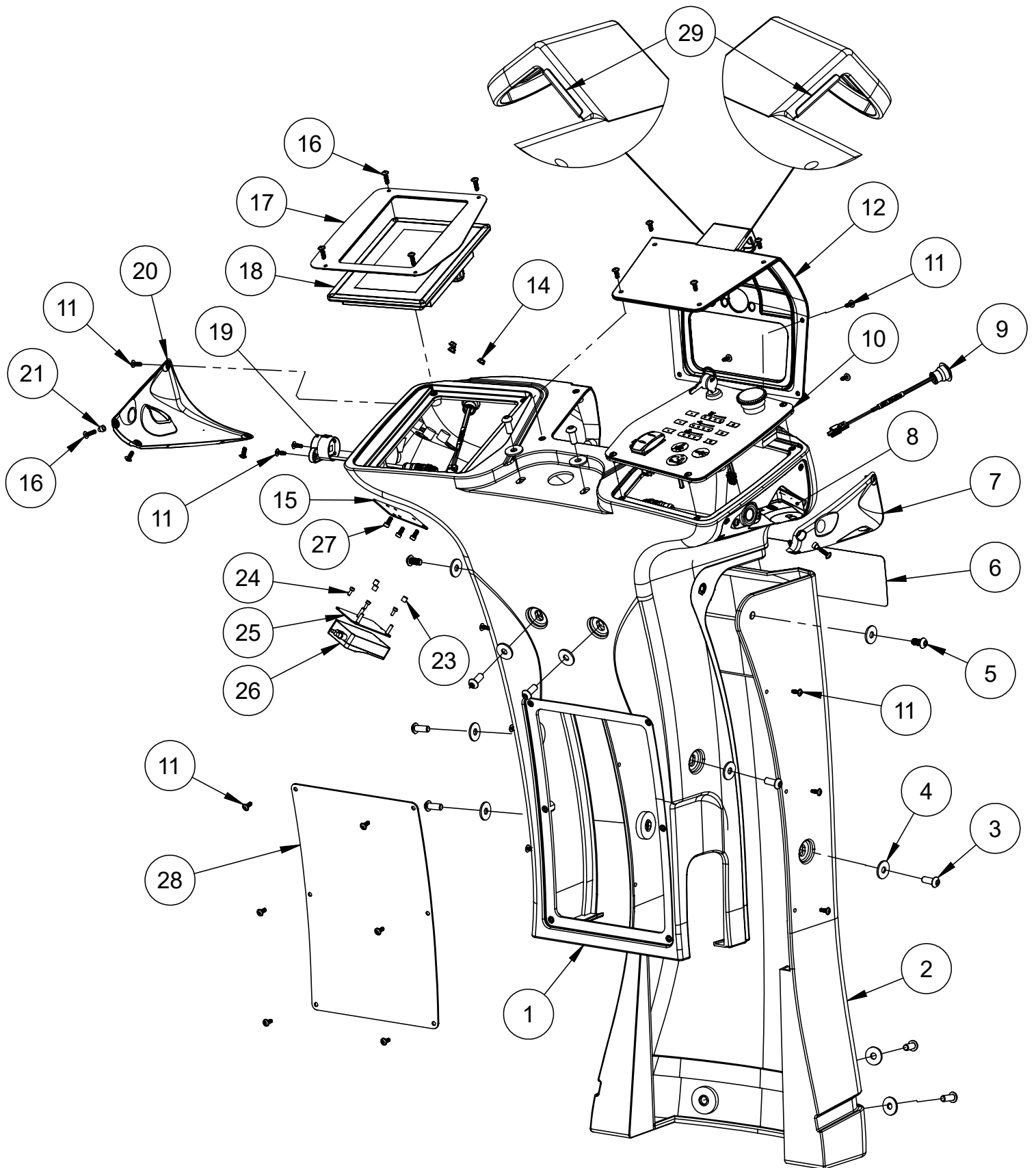


STEERING TOWER COWL GROUP

ITEM	BrainCorpPN	ICE PN	DESCRIPTION	QTY
1	422-00103-01	8350701	Control Housing, Back	1
2	422-00104-01	8350702	Control Housing, Front	1
3	446-00158-01	1512820	M8x20 SS SHBC Screw	10
4	456-00154-01	-	Washer, M8 Oversize SS	12
5	446-00198-01	1512816	M8x16 SS SHBC Screw	2
6	440-00115-01	8350190	Decal, Nameplate	1
7	421-00104-01	8350197	Plastic Fascia, Right	1
8	800-00140-02	8350254	Right O3X 3D Sensor	1
9	830-00117-01	8350237	Blinker, Turn Signal	2
10	CONTROL PANEL GROUP			
11	446-00197-01	1514412	Screw, Pan Head, M4x12, Black	30
12	800-00158-01	8350703K	Front Fascia with Seal	1
13	Removed			
14	444-00113-01	1123407	Nylock, Flanged M4 Nut	6
15	411-00173-01	8350194	Mount, O3X to Housing	2
16	446-00199-01	1514416	Screw, Pan Head, M4x16, Black	7
17	830-00128-01	8350103K	Touch Screen Cover	1
18	830-00200-01		Touch Screen Module	1
	830-00112-01	8350256		
19	830-00114-01	8350242	110 2D Camera Module	2
20	421-00105-01	8350198	Plastic Fascia, Left	1
21	448-00117-01	8350766	Spacer, Seat Belt	2
22	Removed			
23	448-00116-01	--	Spacer, M4 6mmOD, 6mm long	6
24	446-00128-01	1521308	M3 x 8mm SHC Screw	6
25	411-00172-01	8350193	Plate, O3X Mounting	2
26	800-00140-01	8350253	Left O3X 3D Sensor	1
27	446-00150-01	1521410	Screw, M4x10mm SS SHC	6
28	411-00165-01	8350183	RS26 Access Panel	1
29	440-00191-01		Label, Slanted Lidar Reflector RS26	1

NOTE: Left O3X Sensor should remain distinct from Right O3X Sensor. Do not interchange.

STEERING TOWER COWL GROUP

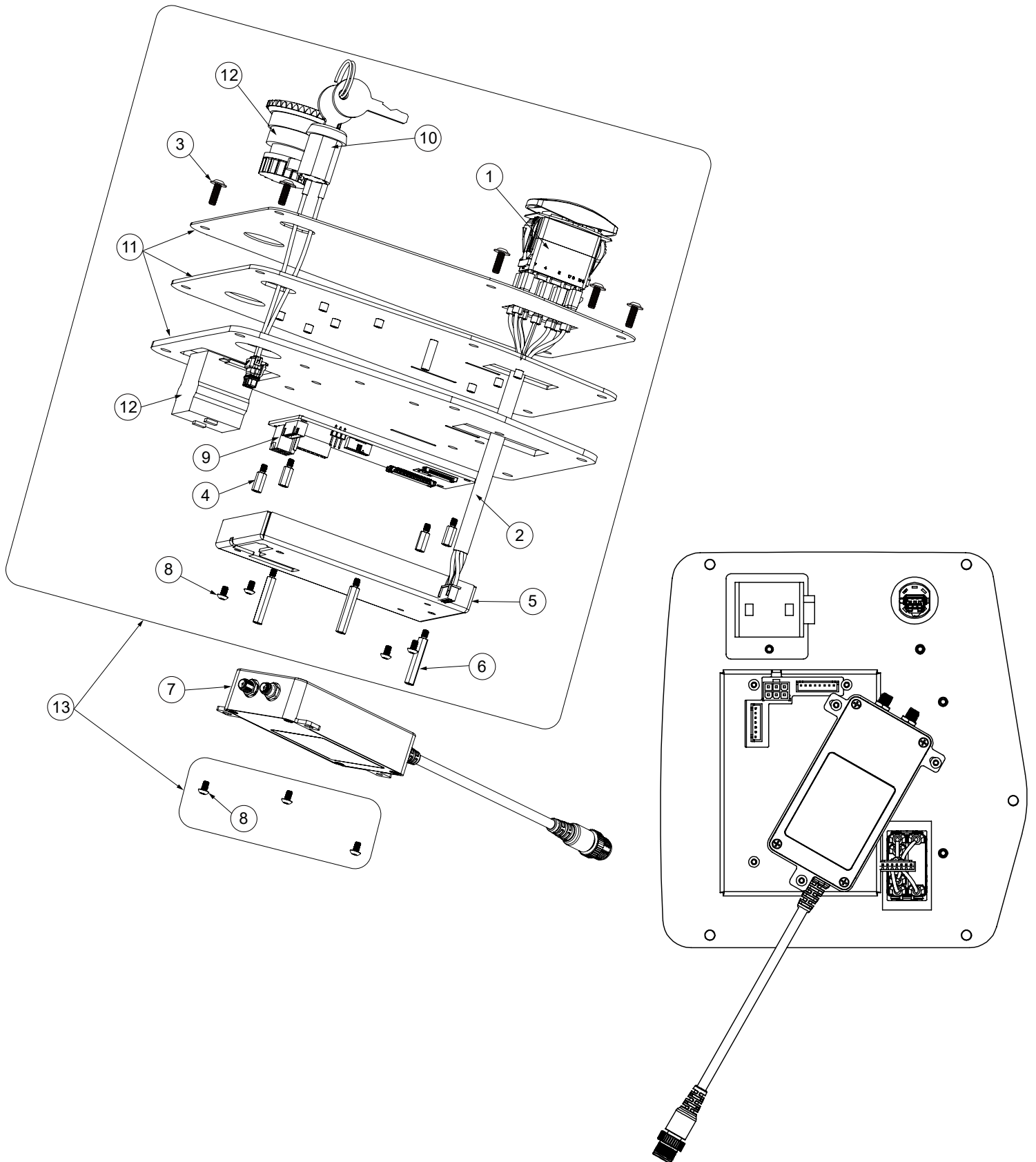


CONTROL PANEL GROUP

ITEM	BrainCorpPN	ICE PN	DESCRIPTION	QTY
1	500-00120-01	8350405	Toggle Switch	1
2	810-00170-01	8350262	Cable, Toggle Switch	1
3	446-00197-01	1514412	Screw, Pan Head, M4x12, Black	5
4	448-00105-01	8350250	M3x10mm M-F Standoff	4
5	411-00214-01	8350117	Enclosure, VIB	1
6	448-00109-01	8350251	M3x25mm M-F Standoff	3
7	800-00183-02	--	Communications Module, Sierra/JT (US/JP)	1
	800-00183-03	--	Communications Module, Sierra/Telus (CAN)	
8	446-00140-01	1512305	Screw, M3x5 SHBC	7
9	820-00121-01	8350249	Vehicle Interface Board (ICE RS26)	1
10	800-00153-01	8350403A	Key Switch Assembly	1
11	800-00171-01	8350260	Plate with Seal and Membrane, Control Panel	1
12	500-00121-01	8310707	Button, Emergency Stop	1
13	830-00109-01	--	Assy, Control Panel Replacement Service (w/ VIB)	1

Pinout (Toggle Switch)	Color
2	White
3	Black
7	Brown
8	Green
9	Blue
10	Orange
11	Red

CONTROL PANEL GROUP



WEAR PARTS

ITEM	BrainCorpPN	ICE PN	DESCRIPTION	QTY
1	442-00189-01	8311534	Front, Blade, LINATEX, RS26	1
2	442-00187-01	8311531	Rear Blade, LINATEX, RS26	1
3	442-00248-01	9050013P	Bush, 13 Inch Soft Nylon	2
4	900-00102-01	9050013	Bush, 13 Inch Poly	2
5	442-00249-01	9050013B	Bush, 13 Inch Aggressive	2
6	800-00169-01	9040013	Pad Driver, 13 Inch, RS26	2
7	442-00246-01	8310365	Blade, Side Skirt	2
8	411-00209-01	8311358	Skirt, RS26	1
9	442-00206-01	8310237	Dust Filter	1
10	800-00147-01	8350040K	Home Location Pack	1

THIS PAGE IS INTENTIONALLY LEFT BLANK

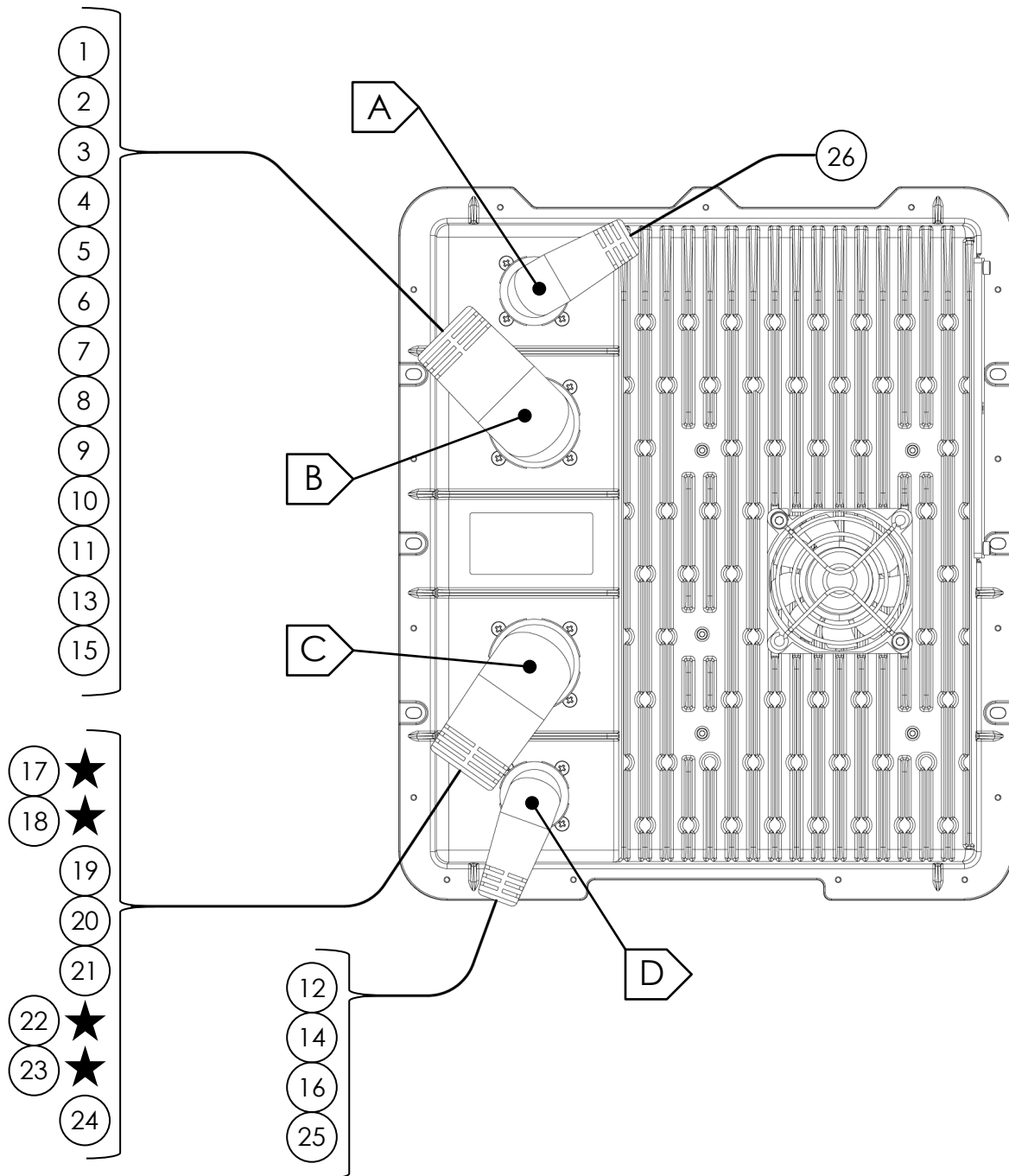
WIRING DIAGRAM**COMPONENT LIST**

ITEM	BrainCorpPN	ICE PN	DESCRIPTION	CABLE LABEL
1	820-00121-01	8350249	Vehicle Interface Board	VIB
2	800-00183-02	--	Communications Module, Sierra/JT (US/JP)	MODEM
	800-00183-03	--	Communications Module, Sierra/Telus (CAN)	
3	800-00142-01	8350240	Slanted LIDAR	LIDAR_SLANTED_PWR
4				LIDAR_SLANTED_ETH
5	830-00117-01	8350237	Blinker, Turn Signal	TURN_SIGNAL_LEFT
6	830-00117-01	8350237	Blinker, Turn Signal	TURN_SIGNAL_RIGHT
7	800-00149-01	8350243	60mm Fan Assembly	DEPTH_SENSOR_FAN
8	830-00114-01	8350242	110 2D Camera Module	CAM_FRONT_USB
9	830-00114-01	8350242	110 2D Camera Module	CAM_LEFT_USB
10	830-00114-01	8350242	110 2D Camera Module	CAM_RIGHT_USB
11	830-00115-01	8350241	IFM O3D with Heatsinks	DEPTH_FRONT_ETH
12				DEPTH_FRONT_PWR
13	800-00140-01	8350253	Left O3X 3D Sensor	DEPTH_LEFT_ETH
14				DEPTH_LEFT_PWR
15	800-00140-02	8350254	Right O3X 3D Sensor	DEPTH_RIGHT_ETH
16				DEPTH_RIGHT_PWR
17	810-00135-01	8350267	Service Port Ethernet	SP_ETH
18	810-00134-01	8350266	Traction Encoder	ENC_TRACT1
19	800-00238-01		Horizontal 5 LIDAR	LIDAR_HRZ_PWR
20				LIDAR_HRZ_ETH
21	290-00111-01	8350410	Encoder with Gearbox, Steering	ENC_STEER or ENC_ABS
22	500-00121-01	8310707	Button, Emergency Stop	ESTOP
23	800-00190-01		Start-Pause Button Assembly	START_PAUSE
24	830-00174-01		Motor Amplifier Module V2	STEERING
25	500-00133-01	8350235	Barrier Block	
26	830-00200-01		Touch Screen Module	
	830-00112-01	8350256		

PARTS LIST

HARNES TRUNK LIST

ITEM	BrainCorpPN	ICE PN	DESCRIPTION	CABLE LABEL
A	SEE ITEM 26 PREVIOUS TABLE			
B	810-00200-01		Harness, Up Trunk	810-00200-01
	810-00173-01	8350263		810-00173-01
C	810-00129-01	8350264	Harness, Down Trunk	810-00129-01
D	810-00132-01	8350265	Harness, Power Trunk	810-00132-01

WIRING DIAGRAM

★ denotes Cable Extension

NOTE: When replacing cables, only items in the "HARNESS TRUNK LIST" may be ordered. Items in the "COMPONENT LIST" are listed for reference only.

THIS PAGE IS INTENTIONALLY LEFT BLANK



Specifications and parts subject to change without notice
Revision 07
November 2020