

---

## TABLE OF CONTENTS

---

1、RECOVERY TANK GROUP.....	1
(1) RECOVERY TANK COVER SEAL(8131005) {i20NB 000165~001099、 i20NBT 000187~000776、 i20NBT-OB 000101~000409、 i24BT 000139~000482}.....	2
(2) RECOVERY TANK COVER SEAL(8131005-2){i20NB 001100~ 、 i20NBT 000777~ 、 i20NBT-OB 000410~ 、 i24BT 000483~ }.....	2
(3) CAP( 8131003 ) {i20NB 000165~101687、 i20NBT 000187~102033、 i20NBT-OB 000101~100931、 i24BT 000139~100925}.....	2
(4) CAP(8131004) {i20NB 101688~ 、 i20NBT 102034~ 、 i20NBT-OB 100932~ 、 i24BT 100926~ }.....	2
(5) DRAIN HOSE(8131010){i20NB 000165~101273、 i20NBT 000187~101231、 i20NBT-OB 000101~100609、 i24BT 000139~000611}.....	2
(6) DRAIN HOSE(8210170)No record.....	2
(7) DRAIN HOSE(8131030){i20NB 101274~101658、 i20NBT 101232~101983、 i20NBT-OB 100610~100878、 i24BT 100612~100874}.....	2
(8) DRAIN HOSE(8131031){i20NB 101659~ 、 i20NBT 101984~ 、 i20NBT-OB 100879~ 、 i24BT 100875~ }.....	2
2、VACUUM FAN GROUP.....	4、 6、 8
(1) VACUUM MOTOR, KIT, 24VDC(8116500){i20NB 000165~000490/101604~、 i20NBT 000187-000425/101868~、 i20NBT-OB 000101~000222/100789~、 i24BT 000139-000281/100835~}.....	5、 7、 9
(2) VACUUM MOTOR, KIT, 24VDC(8132050) {i20NB 000528~101254 、 i20NBT 000439~001230、 i20NBT-OB 000229~000608、 i24BT 000282~100612}.....	5、 7、 9
(3) BRACKET(8112003) {i20NB 000165~001070、 i20NBT 000187~000881、 i20NBT-OB 000101~000410、 i24BT 000139~000492}.....	5、 7
3、 SOLUTION TANK GROUP.....	10
(1) CLEAN TUBING(8133008){i20NB 000729~、 i20NBT 000641~、 i20NBT-OB 000294~、 i24BT 000362~}.....	11
4、 CONTROL CONSOLE GROUP(i20NB1.0).....	13
(1) CONTROL CONSOLEHOUSING(8134001){i20NB 000165~000490}.....	14
(2) PCB ASSEMBLY(8114701){i20NB 000165~000247}.....	14

---

## TABLE OF CONTENTS

---

(3) CONTROL PANEL(8134010){i20NB 000165~000490}.....	14
(4) CONTROL PANEL DECAL, i20NB(8134014){i20NB 000165~000490}.....	14
(5) CIRCUIT BREAKER, 5A(8114703){i20NB 000165~000247}.....	14
(6) CABLE, SQGE LIFT(8134013){i20NB 000165~000490}.....	14
(7) CLAMP, DRAIN HOSE(6210111){i20NB 000165~101503}.....	14
(8) LEVER, BAIL ( 8134300 ) { i20NB 000905~ }.....	1 5
(9) REAR PLATE, CONTROL CONSOLE(8134021){i20NB 000165~000490}.....	15
(10) SOLENOID SWITCH(8124704){i20NB 000165~000247}.....	15
(11) RELAY, 40A ( 8114707 ) { i20NB 000165~ }.....	1 5
5、 CONTROL CONSOLE GROUP(i20NB1.5).....	16
(1) CONTROL CONSOLE HOUSING(8134001){i20NB 000165~000490}.....	17
(2) PCB ASSEMBLY(8134702){i20NB 000271~000490}.....	17
(3) CONTROL PANEL(8134010){i20NB 000165~000490}.....	17
(4) CONTROL PANEL DECAL, i20NB(8134014){i20NB 000165~000490}.....	17
(5) CIRCUIT BREAKER, 5A ( 8310740 ) {i20NB 000905~ }.....	1 7
(6) CABLE, SQGE LIFT(8134013){i20NB 000165~000490}.....	17
(7) CLAMP, DRAIN HOSE(6210111){i20NB 000165~101503}.....	17
(8) LEVER, BAIL ( 8134300 ) { i20NB 000905~ }.....	1 8
(9) MAIN CONTROLLER ( 8134701 ) {i20NB 000271~000490 }.....	1 8
(10) REAR PLATE, CONTROL CONSOLE(8134021){i20NB 000165~000490}.....	18
6、 CONTROL CONSOLE GROUP(i20NB2.0).....	19
(1) CONTROL PANEL DECAL, i20NB(8134724){i20NB 000694~ }.....	20
(2) CONTROL PANEL, i20NB( 8134720 ) {i20NB 000804~ }.....	2 0
(3) CONTROL PANEL PCB, i20NB (AGM / EN)(8134734){i20NB 000905~ }.....	20
(4) CONTROL HOUSING ( 8134005A ) {i20NB 000905~ }.....	2 0
(5) CIRCUIT BREAKER, 5A( 8310740 ) {i20NB 000905~ }.....	20

---

## TABLE OF CONTENTS

---

(6) PLATE, ON BOARD BATTERY CHARGER(8134060){i20NB 000905~ }	20
(7) ON-BOARD CHARGER SPE 13-amp 24 volt,KIT(8132010-US){i20NB 000165~000999}	20
(8) ON-BOARD CHARGER Pro CHARGING SYSTEM 13-AMP 24 VOLT (OPTION) (8132010-US) {i20NB 000165~000999 }	20
(9) ON BOARD CHARGER Pro CHARGING SYSTEM 13-AMP 24 VOLT (OPTION)( 8132020-US ) { 000165~000 99	20
(10) ON-BOARD CHARGER FLEXCHAR, PRESET Trojan CHARGING CUVE(OPTION),KIT(8132015A){No record}	20
(11) BATTERY CHARGER POWER CORD, KIT(8112030A){i20NB 000905~}	20
(12) CAR CHARGER(SPE)(8132010){i20NB 000165~000999}	20
(13) ON-BOARD CHARGER SPE 13-amp 24 volt(8132010A){No record}	20
(14) ON-BOARD CHARGER FLEXCHAR(8132015-US){No record}	20
(15) CABLE, SQGE LIFT(8134082) {i20NB 000905~、 }	20
(16) CLAMP, DRAIN HOSE(6210111){i20NB 000165~101503}	21
(17) CLAMP, DRAIN HOSE(6210120) {i20NB 101504~}	21
(18) MAIN CONTROLLER, i20NB(8134790){i20NB 000905~ }	21
(19) REAR PLATE, CONTROL CONSOLE(8134070){i20NB 000905~ }	21
(20) LEVER, BAIL(8134300){i20NB 000905~ }	21
(21)CONTROL BOX BACK SEALING RING(8134085){i20NB 101666~ }	21
(22)CONTROL BOX SEAL RING(8134083){i20NB 101652~ }	21
7、 CONTROL CONSOLE GROUP(i20NBT /i24BT1.0)	22
(1) CONTROL CONSOLE HOUSING ( 8134001 ) { i20NBT 000187~000603 、 i20NBT-OB 000101~000288、 i24BT 000139~000321 }	23
(2) PCB ASSEMBLY(8124701){i20NBT 000187~000603、i20NBT-OB 000101~000288、i24BT 000139~000321}	23
(3) CONTROL PANEL ( 8144010 ) { i20NBT 000187~000603 、 i20NBT-OB 000101~000288 、 i24BT 000139~000321 }	23
(4) CONTROL PANEL DECAL, i20NBT(8144014){i20NBT 000187~000628、 i20NBT-OB 000101~000288}	23

---

## TABLE OF CONTENTS

(5) CONTROL PANEL DECAL, i24BT(8144015){i24BT 000139~000321}.....	23
(6) BUTTON,EMERGENCY STOP(8124007){i20NBT 000187~001030、 i20NBT-OB 000101~000435、 i24BT 000139~000532}.....	23
(7) SPRING(8124008){i20NBT 000187~001030、 i20NBT-OB 000101~000435、 i24BT 000139~000532}.....	23
(8) BASE, CIRCUIT BREAKERS MNTG(8144030){i20NBT 000187~001030、 i20NBT-OB 000101~000435、 i24BT 00139~000532}.....	23
(9) CIRCUIT BREAKER, 35A(8114703) {i20NBT 000187~000603、 i20NBT-OB 000101~000288、 i24BT 000139~000321}.....	23
(10) EMERGENCY STOP SWITCH, KIT(8124715A){i20NBT 000187~001030、 i20NBT-OB 000101~000435、 i24BT 000139~000532}.....	23
(11) CLAMP, DRAIN HOSE( 6210111 ) {i20NBT 000187~101635、 i20NBT-OB 000101~100728、 i24BT 000139~100692}.....	24
(12) SPEED CONTROL BOARD(8124501){i20NBT 000187~000603、 i20NBT-OB 000101~000288、 i24BT 000139~ 000321}.....	24
(13) LEVER, BAIL(8134300){i20NBT 000681~ 、 i20NBT-OB 000294~ 、 i24BT 000433~ }.....	24
(14) REAR PLATE, CONTROL CONSOLE ( 8134021 ) { i20NBT 000187~000603 、 i20NBT-OB 000101~000288、 i24BT 000139~000321 }.....	24
(15) SOLENOID SWITCH ( 8124704 ) { i20NBT 000187~000603 、 i20NBT-OB 000101~000288 、 i24BT 000139~000321 }.....	25
(16) RELAY, 40A(8114707){i20NBT 000187~ 、 i20NBT-OB 000101~ 、 i24BT 000139~ }.....	25
8、 CONTROL CONSOLE GROUP(i20NBT /i24BT2.0).....	26
(1) CONTROL PANEL DECAL, i20NBT(8144724){i20NBT 000604~ 、 i20NBT-OB 000294~ }.....	27
(2) CONTROL PANEL DECAL, i24BT(8144725){i24BT 000321~ }.....	27
(3) CONTROL PANEL, i20NBT (8144720){i20NBT 000604~ 、 i20NBT-OB 000294~ }.....	27
(4) CONTROL PANEL PCB, i20NBT (AGM / EN)(8144795){i20NBT 000681~ 、 i20NBT-OB 000294~ 、 i24BT 000433~ }.....	27

---

## TABLE OF CONTENTS

(5) CONTROL PANEL PCB, i20NBT (WET FLOODED / EN)(8144797){No record}.....	27
(6) CONTROL HOUSING, i20NB(8134005A){i20NBT 000681~ 、 i20NBT-OB 000294~ 、 i24BT 000433~ }.....	27
(7) CIRCUIT BREAKER, 5A(8310740){i20NBT 000681~ 、 i20NBT-OB 000294~ 、 i24BT 000433~ }.....	27
(8) BASE, EMERGENCY STOP SWITCH(8134007){i20NBT 001031~ 、 i20NBT-OB 000436~、i24BT 000533~ }.....	27
(9) LABEL, EMERGENCY STOP SWITCH(8144027){i20NBT 001031~ 、 i20NBT-OB 000436~、i24BT 000533~ }.....	27
(10) BUTTON,EMERGENCY STOP(8310707){i20NBT 001031~ 、 i20NBT-OB 000436~、 i24BT 000533~ }.....	27
(11) PLATE, ON BOARD BATTERY CHARGER ( 8134060 ) { i20NBT 000681~ 、 i20NBT-OB 000294~ 、 i24BT 000433~ }.....	28
(12) ON-BOARD CHARGER SPE 13-amp 24 volt,KIT( 8132010-US) {i20NBT 000187~000850、 i20NBT-OB 000101~000410、 i24BT 000139~000482}.....	28
(13) ON-BOARD CHARGER FLEXCHAR, PRESET Trojan CHARGING CUVE(OPTION),KIT(8132015A){No record}.....	28
(14) ON BOARD CHARGER Pro CHARGING SYSTEM 13-AMP 24 VOLT, KIT (OPTION) (OPTION)(8132020-US) {i20NBT 000187~000850、 i20NBT-OB 000101~000410、 i24BT 000139~000482}.....	28
(15) BATTERY CHARGER POWER CORD, KIT ( 8112030A ) { i20NBT 000681~ 、 i20NBT-OB 000294~ 、 i24BT 000433~ }.....	28
(16) CAR CHARGER(SPE)( 8132010 ) { i20NBT 000187~000850 、 i20NBT-OB 000101~000410 、 i24BT 000139~000482 }.....	28
(17) ON-BOARD CHARGER SPE 13-amp 24 volt ( 8132010A ) { i20NBT 000187~000850 、 i20NBT-OB 000101~000410、 i24BT 000139~000482 }.....	28
(18) ON BOARD BATTERY CHARGER, INCLUDE TERMINAL, FLEXCHAR(8132015-US){No record}.....	28
(19) CABLE, SQGE LIFT(8134082){i20NBT 000681~ 、 i20NBT-OB 000294~、 i24BT 000433~ }.....	28
(20) CLAMP, DRAIN HOSE (6210111){i20NBT 000187~101635、 i20NBT-OB 000101~100728、 i24BT 000139~100692 }.....	29
(21)MAIN CONTROLLER, i20NBT(8144790){i20NBT 000604~ 、 i20NBT-OB 000294~、 i24BT 000321~ }.....	29
(22)REAR PLATE, CONTROL CONSOLE(8134070){i20NBT 000618~ 、 i20NBT-OB 000294~、 i24BT 000433~ }.....	29
(23)LEVER, BAIL(8134300){i20NBT 000618~ 、 i20NBT-OB 000294~、 i24BT 000433~ }.....	29

---

## TABLE OF CONTENTS

---

(24)CONTROL BOX BACK SEALING RING(8134085){i20NBT 102014~、i20NBT-OB 100917~、i24BT 100882~ }.....	29
(25)CONTROL BOX SEAL RING(8134083){i20NBT 101959~、i20NBT-OB 100841~、i24BT 100868~ }.....	29
9、 FRAME&WHEEL GROUP(i20NB1.0).....	30
(1) MAIN FRAME ( 8135100 ) { i20NB 000165~000490 }.....	3 1
(2) WHEEL, 8 INCH ( 8115200 ) { i20NB 000165~ }.....	3 1
(3) ADAPTER, AXLE MNTG(8115402 ) {i20NB 000165~000490 }.....	3 1
(4) MICRO SWITCH 25A ( 8115007 ) { i20NB 000165~000490 }.....	3 1
(5) SOLENOID VALVE, 24VDC ( 8119003 ) {i20NB 000165~ }.....	3 1
10、 FRAME&WHEEL GROUP(i20NB2.0).....	33
(1) MAIN FRAME ( 8145100 ) { i20NB 000433~ }.....	3 4
(2) SOLENOID VALVE, 24VDC(8119003){i20NB 000165~ }.....	34
(3) WHEEL, 8 INCH ( 8115200 ) { i20NB 000165~ }.....	3 4
(4) SHAFT ( 8135405 ) { i20NB 000433~ }.....	3 4
(5) MICRO SWITCH 20A( 8014071 ) {i20NB 000433~ }.....	3 5
(6) SLEEVE, P/M(8115405){i20NB 000165~ }.....	35
11、 FRAME&TRANSAXLE GROUP(i20NBT/i24BT1.0).....	36
(1) MAIN FRAME(8135100){i20NBT 000187~、 i20NBT-OB 000101~、 i24BT 000139~}.....	37
(2)SOLENOID VALVE, 24VDC(8119003){i20NBT 000187~、i20NBT-OB 000101~、i24BT 000139~ }.....	37
(3) WHEEL, 8 INCH(8125200){i20NBT 000187~、 i20NBT-OB 000101~、 i24BT 000139~ }.....	37
(4) TRANSAXLE, KIT(8125410){i20NBT 000187~101887 / 102107~、 i20NBT-OB 000101~100808/100955~、 i24BT 000139~100846/100942~}.....	37
(5) BRACKET(8115009){i20NBT 000187~、 i20NBT-OB 000101~、 i24BT 000139~ }.....	38
(6) CAP, MICRO SWITCH, 3/8(8115008){i20NBT 000187~000279、 i20NBT-OB 000101~000222、 i24BT 000139~00 0490}.....	38
(7) MICRO SWITCH 25A( 8115007 ) {i20NBT 000187~000394、 i20NBT-OB 000101~000170、 i24BT 000139~No record}.....	38

---

## TABLE OF CONTENTS

12、FRAME&TRANSAXLE GROUP(i20NBT/i24BT2.0).....	39
(1) MAIN FRAME(8135100){i20NBT 000187~、 i20NBT-OB 000101~ 、 i24BT 000139~}.....	40
(2) SOLENOID VALVE, 24VDC(8119003){i20NBT 000187~ 、 i20NBT-OB 000101~ 、 i24BT 000139~ }....	40
(3) WHEEL, 8 INCH(8125200){i20NBT 000187~、 i20NBT-OB 000101~ 、 i24BT 000139~ }.....	40
(4) TRANSAXLE, KIT(8125410){i20NBT 000187~101887 / 102107~ 、 i20NBT-OB 000101~100808/100955~、 i24BT 000139~100846/100942~}.....	40
(5) TRANSAXLE, KIT(8125408){i20NBT 101888~102106、 i20NBT-OB 100809~100954、 i24BT 100847~100941}....	41
(6) MICRO SWITCH 20A(8014071){i20NBT 000404~、 i20NBT-OB 000171~、 i24BT 000272~}.....	41
(7) SLEEVE,PM(8115405){i20NBT 000187~ 、 i20NBT-OB 000101~ 、 i24BT 000139~ }.....	41
13、 SCRUB HEAD GROUP (i20NB / i20NBT).....	42
(1) KEY(1656432){No record}.....	43
(2) KEY(1656433){i20NB 000985~ 、 i20NBT 000831~ }.....	43
14、 SCRUB HEAD GROUP (i20NBT-OB1.0).....	45
(1) LOCK, WEIGHT(8146106){i20NBT-OB 000101~000130}.....	46
(2) BRACKET, ORBITAL HEAD(8146101){i20NBT-OB 000101~000288}.....	46
(3) BRACKET, MOTOR MOUNTING(8146102){i20NBT-OB 000101~000288}.....	46
(4) ELBOW, TUBING BARB( 8119002 ) {i20NBT-OB 000101~101019 }.....	46
(5) CLAMP( 1962016 ) {i20NBT-OB 000101~101019 }.....	46
(6) TUBING, ID=12mm, l=60mm(8146320){i20NBT-OB 000101~101019}.....	46
15、 SCRUB HEAD GROUP (i20NBT-OB2.0).....	47
(1) MOTOR, 24VDC 550W 2200RPM, KIT(8146199){i20NBT-OB 000101~ }.....	48
(2) MOUNTING BRACKET, ORBITAL HEAD(8146520){i20NBT-OB 000294~ }.....	48
(3) BRACKET, MOTOR MOUNTING(8146501){i20NBT-OB 000294~ }.....	48
(4) PVC TUBING (8146508){i20NBT-OB 000294~ }.....	48
(5) PAD DRIVER(8146502){i20NBT-OB 000294~}.....	48
(6) ELBOW, 3/8(8146511) {i20NBT-OB 000294~}.....	48

---

TABLE OF CONTENTS

(7) COUPLER(8119012) {i20NBT-OB 000121~ }.....48

(8) SEALING CAP(8146208){i20NBT-OB 100776~ }.....48

(9) PAD(8146209){i20NBT-OB 100776~ }.....48

16、SCRUB HEAD GROUP (i24BT).....50

(1) BRUSH MOTOR, 24VDC 680W 2000RPM, KIT(8126200){i24BT 000139~ }.....51

(2) 11" PAD DRIVER(9040011U) {i24BT 000482~ }.....51

17、SCRUB HEAD LIFT GROUP (i20NB / i20NBT).....53

(1) BUMPER(8133151){i20NB 000528~ 、 i20NBT 000459~ }.....54

18、ORBITAL HEAD LIFT GROUP (i20NBT-OB1.0).....55

(1) BUMPER(8133151) {i20NBT-OB 000171~ }.....56

19、ORBITAL HEAD LIFT GROUP (i20NBT-OB2.0).....57

(1) BUMPER(8133151) {i20NBT-OB 000171~ }.....58

(2) BRACKET, ORBITAL HEAD LIFT(8146530){i20NBT-OB 000249~ }.....58

20、ORBITAL HEAD LIFT GROUP (i24BT).....59

(1) BUMPER(8133151) {i24BT 000287~ }.....60

21、SQUEEGEE GROUP (1.0).....61

(1) RETAINER,SQUEEGEE ( 8118005 ) { i20NB 000165~000490 、 i20NBT 000187~000488 、  
i20NBT-OB 000101~000258、 i24BT 000139~000311 }.....62

(2) VACUUM HOSE ( 8118006 ) { i20NB 000165~101273 、 i20NBT 000187~101231 、  
i20NBT-OB 000101~100609、 i24BT 000139~000611 }.....62

22、SQUEEGEE GROUP (2.0).....63

(1) STAINLESS STELL RETAINER,SQUEEGEE(8118009) {i20NB 000528~、 i20NBT 000489~ 、  
i20NBT-OB 000259~ 、 i24BT 000337~ }.....64

(2) PLASTIC SPACER(8118008){i20NB 000528~、i20NBT 000489~ 、i20NBT-OB 000259~ 、i24BT 000337~ }.....64

(3) VACUUM HOSE ( 8118006 ) { i20NB 000165~101273 、 i20NBT 000187~101231 、  
i20NBT-OB 000101~100609 、 i24BT 000139~000611 }.....64



---

TABLE OF CONTENTS

2 3、 SOLUTION GROUP(S/N.XXXXXX-XXXXXX).....65

24、 WIRING DIAGRAM FOR {i20NB 000165-000270}.....67

2 5、 W I R I N G D I A G R A M F O R i 2 0 N B T, i 2 0 N B T - O B & i 2 4 B T  
{SN.XXXXXX-XXXXXX}.....68

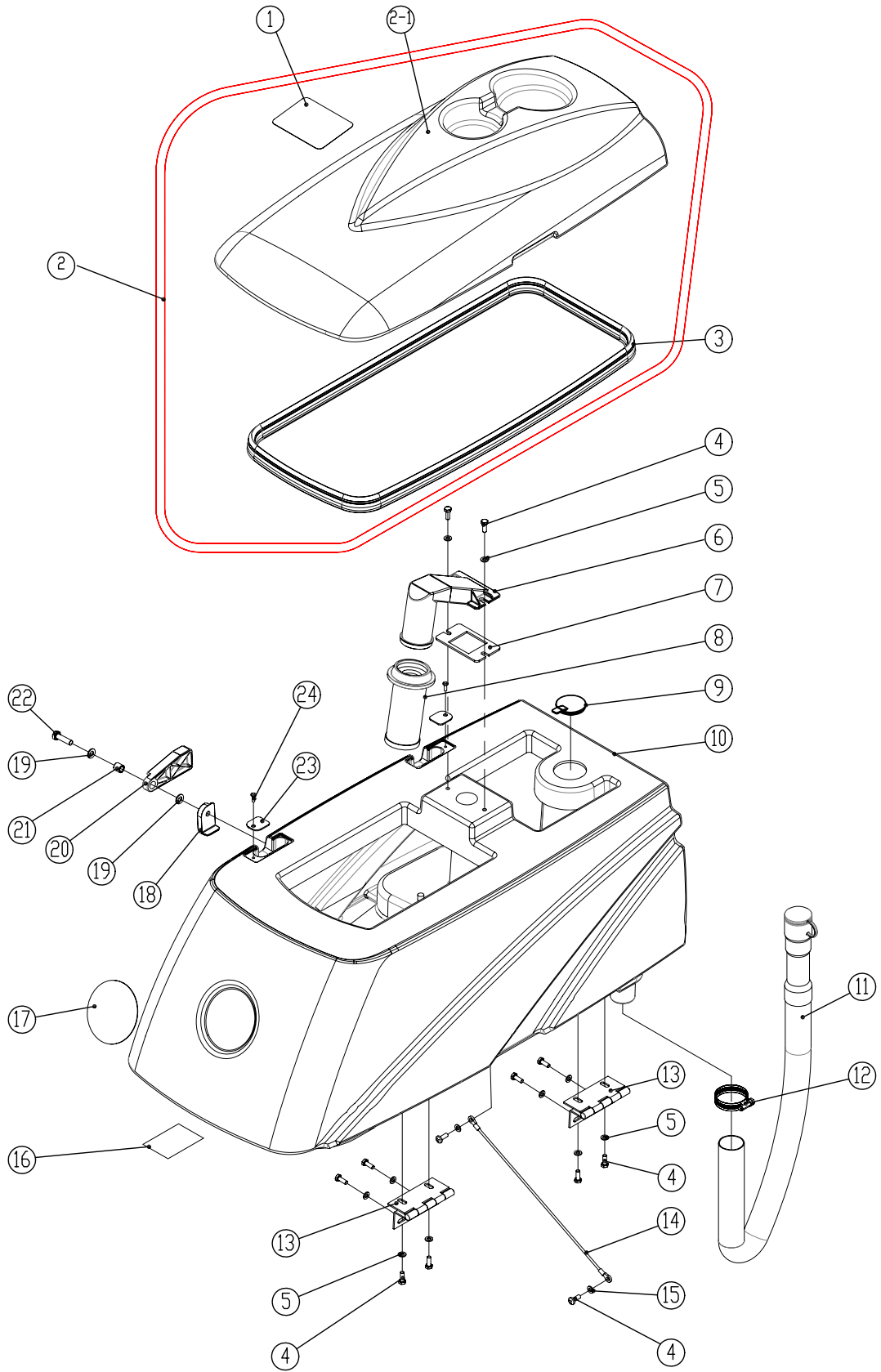
26、 WIRING DIAGRAM FOR {i20NB 000271~000527}.....69

2 7、 W I R I N G D I A G R A M F O R i 2 0 N B T, i 2 0 N B T - O B & i 2 4 B T  
{i20NBT 000187~000603 I24BT 000139~000321}.....70

28、 WIRING DIAGRAM FOR {i20NB 000528~}.....71

2 7、 W I R I N G D I A G R A M F O R i 2 0 N B T, i 2 0 N B T - O B & i 2 4 B T  
{i20NBT 000604~ i24BT 000322~}.....72

RECOVERY TANK GROUP



# PARTS LIST

## RECOVERY TANK GROUP

DIA NO.	PART NUMBER	DESCRIPTION	SERIAL NUMBER	MACHINE TYPE	NO REQ'D
1	8111022	WARNING LABEL	000101~		1
2	8131100	RECOVERY TANK COVER KIT WITH SEAL AND LABEL			1
2-1	8131002	RECOVERY TANK COVER	000101~		1
3	8131005	RECOVERY TANK COVER SEAL	000165~001099	i20NB	1
			000187~000776	i20NBT	
			000101~000409	i20NBT-OB	
			000139~000482	i24BT	
	8131005-2	RECOVERY TANK COVER SEAL	001100~	i20NB	1
			000777~	i20NBT	
			000410~	i20NBT-OB	
			000483~	i24BT	
4	1021616	HEX BOLT M6 X 16	000101~		12
5	1421618	FLAT WASHER M6×φ18×1.6	000101~		10
6	8111014	FLOAT ADAPTER	000101~		1
7	8111001	GASKET	000101~		1
8	8111015	FLOAT, SHUT-OFF	000101~		1
9	8131003	CAP	000165~101687	i20NB	1
			000187~102033	i20NBT	
			000101~100931	i20NBT-OB	
			000139~100925	i24BT	
	8131004	CAP	101688~	i20NB	1
			102034~	i20NBT	
			100932~	i20NBT-OB	
			100926~	i24BT	
10	8131001	RECOVERY TANK	000101~		1
11	8131010	DRAIN HOSE	000165~101273	i20NB	1
			000187~101231	i20NBT	
			000101~100609	i20NBT-OB	
			000139~000611	i24BT	
	8210170	DRAIN HOSE	No record	i20NB	1
			No record	i20NBT	
			No record	i20NBT-OB	
			No record	i24BT	
	8131030	DRAIN HOSE	101274~101658	i20NB	1
			101232~101983	i20NBT	
			100610~100878	i20NBT-OB	
			100612~100874	i24BT	
	8131031	DRAIN HOSE	101659~	i20NB	1
			101984~	i20NBT	
			100879~	i20NBT-OB	
			100875~	i24BT	
12	1962050	CLAMP	000101~		1
13	8111300	HINGE ASSEMBLY	000101~		2
14	8131020	CABLE	000101~		1

## PARTS LIST

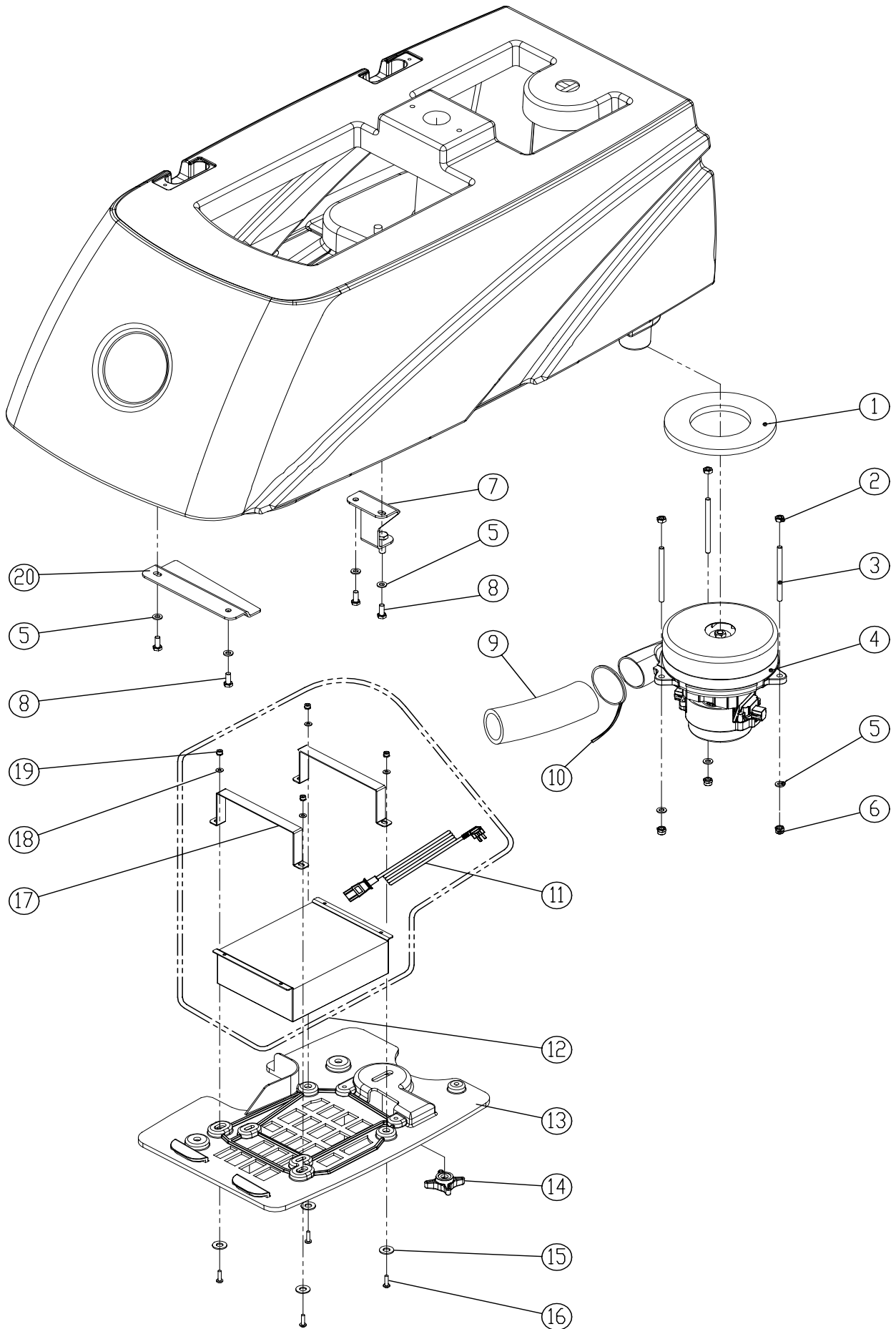
### RECOVERY TANK GROUP

DIA NO.	PART NUMBER	DESCRIPTION	SERIAL NUMBER	MACHINE TYPE	NO REQ'D
12	1962050	CLAMP	000101~		1
13	8111300	HINGE ASSEMBLY	000101~		2
14	8131020	CABLE	000101~		1
15	1421612	FLAT WASHER M6× $\phi$ 12×1.6	000101~		2
16	8111024	LABEL, BATTERY INSTALLATION	000101~		1
17	4010316	ICE LOGO	000101~		1
18	8111008	BRACKET	000101~		1
19	1421816	FLAT WASHER M8× $\phi$ 16×1.6	000101~		2
20	8111007	RECOVERY TANK SUPPORT	000101~		1
21	8115404	SLEEVE, P/M	000101~		1
22	1021830	HEX BOLT M8×30	000101~		1
23	8111016	PLATE	000101~		2
24	1221412	SCREW M4×12	000101~		2

#### NOTES:

1. If the specific model is not filled in the item of machine type, the material used for i20NB/i20NBT/i20NBT-OB/i24BT models is the same.

VACUUM FAN GROUP



# PARTS LIST

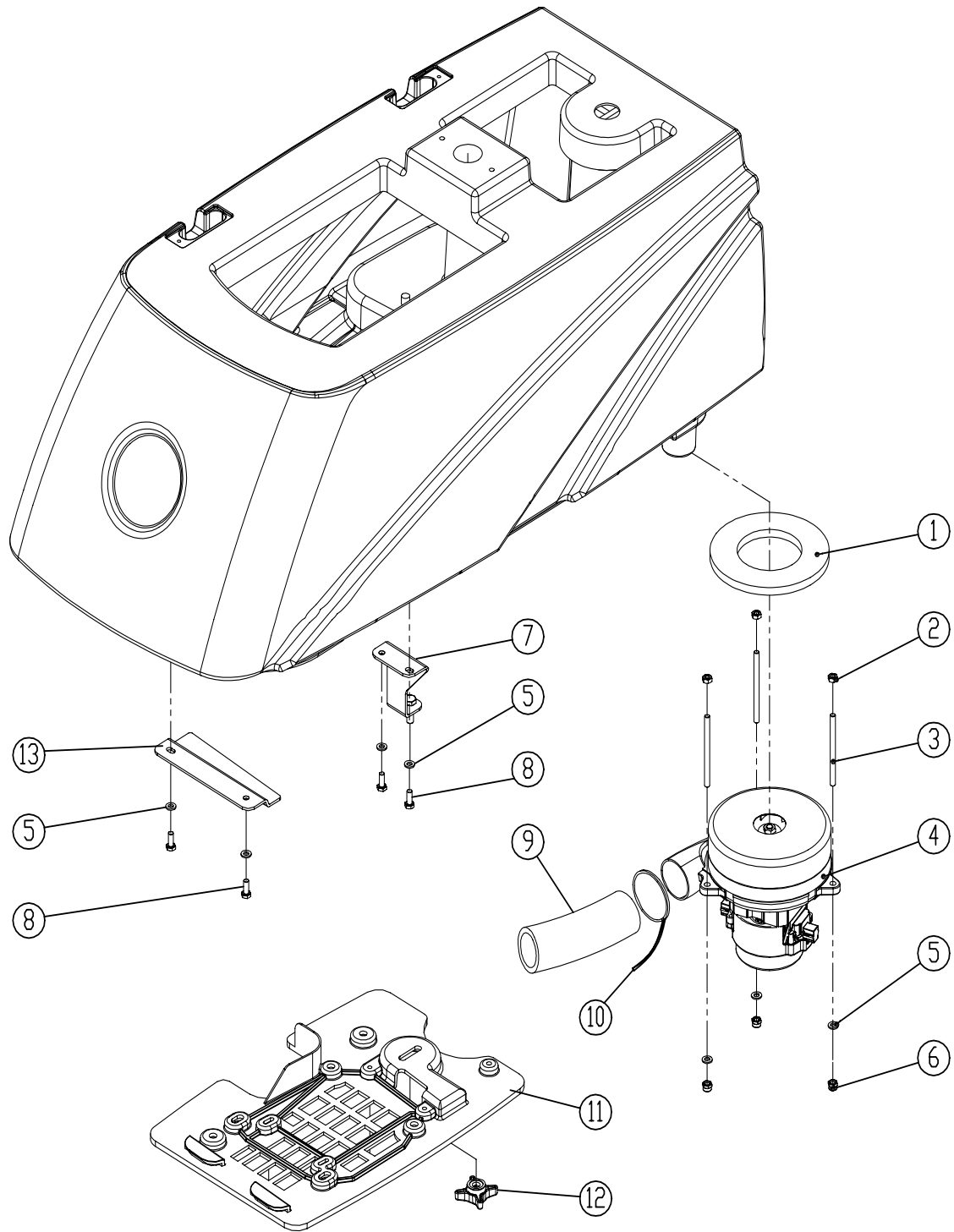
## VACUUM FAN GROUP

DIA NO.	PART NUMBER	DESCRIPTION	SERIAL NUMBER	MACHINE TYPE	NO REQ'D
1	8112005	GASKET, VACUUM MOTOR	000101~		1
2	1121605	HEX NUT M6	000101~		3
3	8112006	STUD M6×92	000101~		3
4	8116500	VACUUM MOTOR, KIT, 24VDC	000165~000490/101604~	i20NB	1
			000187~000425/101868~	i20NBT	
			000101~000222/100789~	i20NBT-OB	
			000139~000281/100835~	i24BT	
	8112008	CARBON BRUSH, 24VDC			1
4	8132050	VACUUM MOTOR, KIT, 24VDC	000528~101254	i20NB	1
			000439~001230	i20NBT	
			000229~000608	i20NBT-OB	
			000282~100612	i24BT	
8132006	CARBON BRUSH, 24VDC			1	
5	1421612	FLAT WASHER M6× φ 12×1.6	000101~		7
6	1123608	LOCK NUT M6	000101~		3
7	8112003	BRACKET	000165~001070	i20NB	1
			000187~000881	i20NBT	
			000101~000410	i20NBT-OB	
			000139~000492	i24BT	
8	1021616	HEX HEAD BOLT M6×16	*		4
9	8132007	MUFFLER, VACUUM MOTOR	000101~		1
10	1914300	TIE, NYLON, 5X300	000101~		2
11	8112030	POWER CORD	000101~000528	i20NB	1
12	8132020-PC	ON BOARD BATTERY CHARGER, KIT, US	000101~000528	i20NB	1
13	8112001	CHARGER COVER	*		1
14	8118003	KNOB M8	*		1
15	1421515	FLAT WASHER M5× φ 16×1.0	*		4
16	1221516	PAN HEAD SCREW M5X16	*		4
17	8131008	CLAMP, ON BOARD BATTERY CHARGER	*		2
18	1421510	FLAT WASHER M5× φ 10×1.0	*		4
19	1123507	LOCK NUT M5	*		4
20	8112004	BRACKET	*		1

### NOTES:

1. If the specific model is not filled in the item of machine type, the material used for i20NB/i20NBT/i20NBT-OB/i24BT models is the same.
2. DIA NO 4: Carbon Brush 8112008(8132006) is a consumable for motor set 8112100(8132050).
3. Parts marked \* in the serial number column have the same serial number switching time as the DIA NO "7".

VACUUM FAN GROUP



# PARTS LIST

## VACUUM FAN GROUP

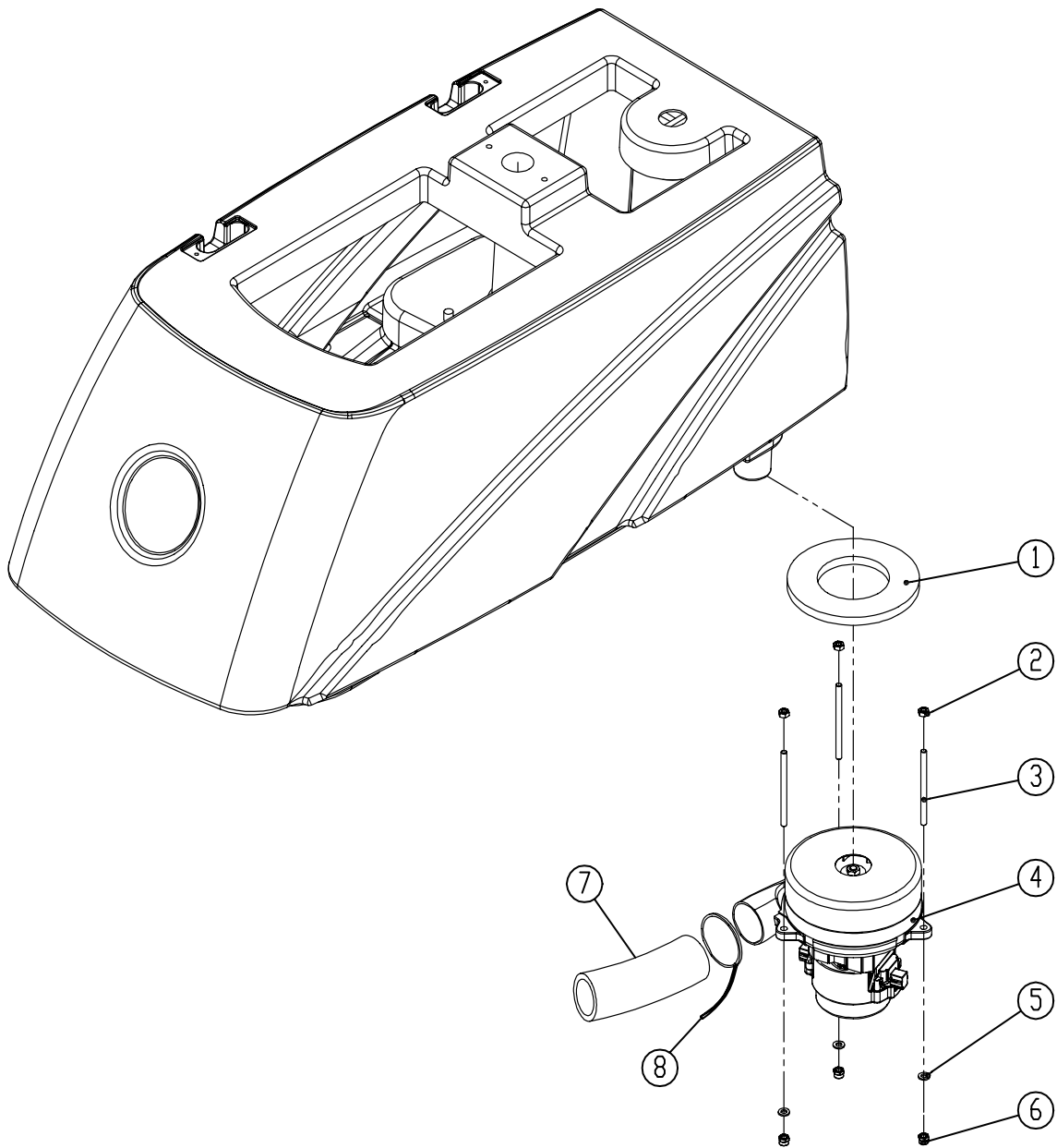
DIA NO.	PART NUMBER	DESCRIPTION	SERIAL NUMBER	MACHINE TYPE	NO REQ'D
1	8112005	GASKET, VACUUM MOTOR			1
2	1121605	HEX NUT M6			3
3	8112006	STUD M6×92			3
4	6116500	VACUUM MOTOR, KIT, 24VDC	000165~000490/101604~	i20NB	1
			000187~000425/101868~	i20NBT	
			000101~000222/100789~	i20NBT-OB	
			000139~000281/100835~	i24BT	
	8112008	CARBON BRUSH, 24VDC			1
	8132050	VACUUM MOTOR, KIT, 24VDC	000528~101254	i20NB	1
			000439~001230	i20NBT	
			000229~000608	i20NBT-OB	
000282~100612			i24BT		
8132006	CARBON BRUSH, 24VDC			1	
5	1421612	FLAT WASHER M6× φ 12×1.6			7
6	1123608	LOCK NUT M6			3
7	8112003	BRACKET	000165~001070	i20NB	1
			000187~000881	i20NBT	
			000101~000410	i20NBT-OB	
			000139~000492	i24BT	
8	1021616	HEX HEAD BOLT M6×16	*		4
9	8132007	MUFFLER, VACUUM MOTOR			1
10	1914300	TIE, NYLON, 5X300			2
11	8112001	CHARGER COVER	*		1
12	8118003	KNOB M8	*		1
13	8112004	BRACKET	*		1

### NOTES:

1. If the specific model is not filled in the item of machine type, the material used for i20NB/i20NBT/i20NBT-OB/i24BT models is the same.
2. DIA NO 4: Carbon Brush 8112008(8132006) is a consumable for motor set 8112100(8132050).
3. Parts marked \* in the serial number column have the same serial number switching time as the DIA NO "7".



VACUUM FAN GROUP



# PARTS LIST

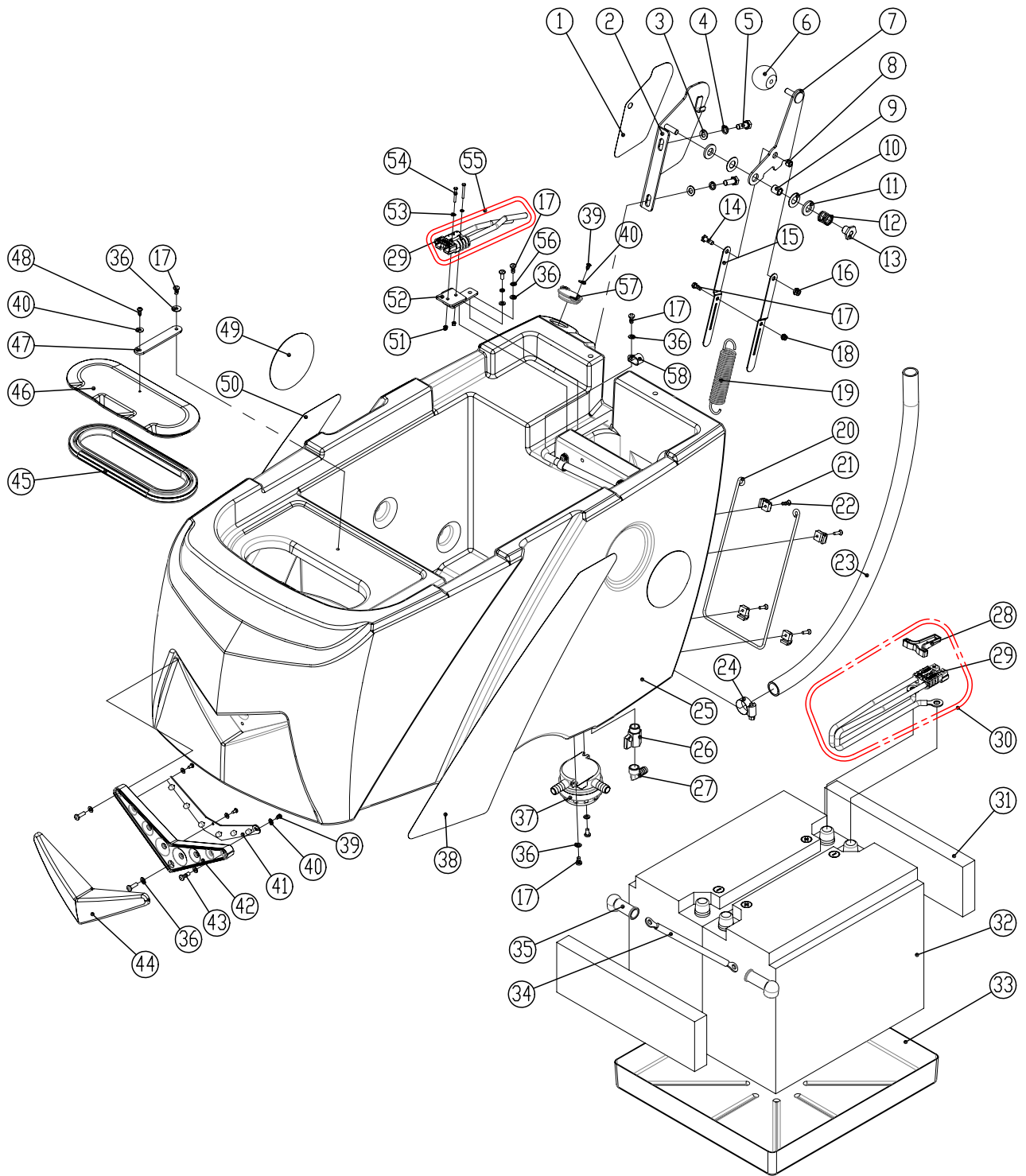
## VACUUM FAN GROUP

DIA NO.	PART NUMBER	DESCRIPTION	SERIAL NUMBER	MACHINE TYPE	NO REQ'D
1	8112005	GASKET, VACUUM MOTOR			1
2	1121605	HEX NUT M6			3
3	8112006	STUD M6×92			3
4	8116500	VACUUM MOTOR, KIT, 24VDC	000165~000490/101604~	i20NB	1
			000187-000425/101868~	i20NBT	
			000101~000222/100789~	i20NBT-OB	
			000139-000281/100835~	i24BT	
	8112008	CARBON BRUSH, 24VDC			1
	8132050	VACUUM MOTOR, KIT, 24VDC	000528~101254	i20NB	1
			000439~001230	i20NBT	
			000229~000608	i20NBT-OB	
000282~100612			i24BT		
8132006	CARBON BRUSH, 24VDC			1	
5	1421612	FLAT WASHER M6× φ 12×1.6			7
6	1123608	LOCK NUT M6			3
7	8132007	MUFFLER, VACUUM MOTOR			1
8	1914300	TIE, NYLON, 5X300			2

### NOTES:

1. If the specific model is not filled in the item of machine type, the material used for i20NB/i20NBT/i20NBT-OB/i24BT models is the same.
2. DIA NO 4: Carbon Brush 8112008(8132006) is a consumable for motor set 8112100(8132050).

SOLUTION TANK GROUP



# PARTS LIST

## SOLUTION TANK GROUP

DIA NO.	PART NUMBER	DESCRIPTION	SERIAL NUMBER	MACHINE TYPE	NO REQ'D
1	8113115	DOWN PRESSURE LABEL	000101~		1
2	8113101	DOWN PRESSURE LEVER BRACKET	000101~		1
3	1421816	FLAT WASHER M8×φ16×1.6	000101~		2
4	1422821	LOCK WASHER M8	000101~		2
5	1021820	HEX BOLT M8×20	000101~		2
6	8113104	BALL KNOB	000101~		1
7	8113106	DOWN PRESSURE LEVER	000101~		1
8	8113112	BUSHING	000101~		1
9	8113110	SLEEVE, P/M	000101~		1
10	8113111	NYLON FLAT WASHER φ12.9×φ25.4×0.8	000101~		2
11	8113109	THRUST BEARING	000101~		2
12	8113114	SPRING	000101~		1
13	8113107	RETAINER, SPRING	000101~		1
14	8113103	BOLT M6×18	000101~		1
15	8113108	LINK, SPRING	000101~		2
	8133108	LINK, SPRING, ORBITAL HEAD MODEL	000101~		2
16	1123608	LOCK NUT M6	000101~		1
17	1221512	SCREW M5×12	000101~		15
18	1123507	LOCK NUT M5	000101~		1
19	8133113	SPRING	000101~		1
20	8133501	CARGO NET	000101~		1
21	8133502	CLAMP	000101~		4
22	1221412	SCREW M4X12	000101~		4
23	8133008	CLEAN TUBING	000729~	i20NB	1
			000641~	I20NBT	
			000294~	i20NBT-OB	
			000362~	i24BT	
24	1962025	CLAMP 16-25mm	000101~		1
25	8133001	SOLUTION TANK	000101~		1
26	8119005	BALL VALVE, G1/2	000101~		1
27	8119007	ELBOW G1/2	000101~		1
28	8113021	HANDLE, CONNECTOR	000101~		1
29	8113020	CONNECTOR	000101~		2
30	8114731	BATTERY CONNECT CABLE, ASSEMBLY	000101~		1
31	8113013	SPACER, BATTERY	000101~		2

## PARTS LIST

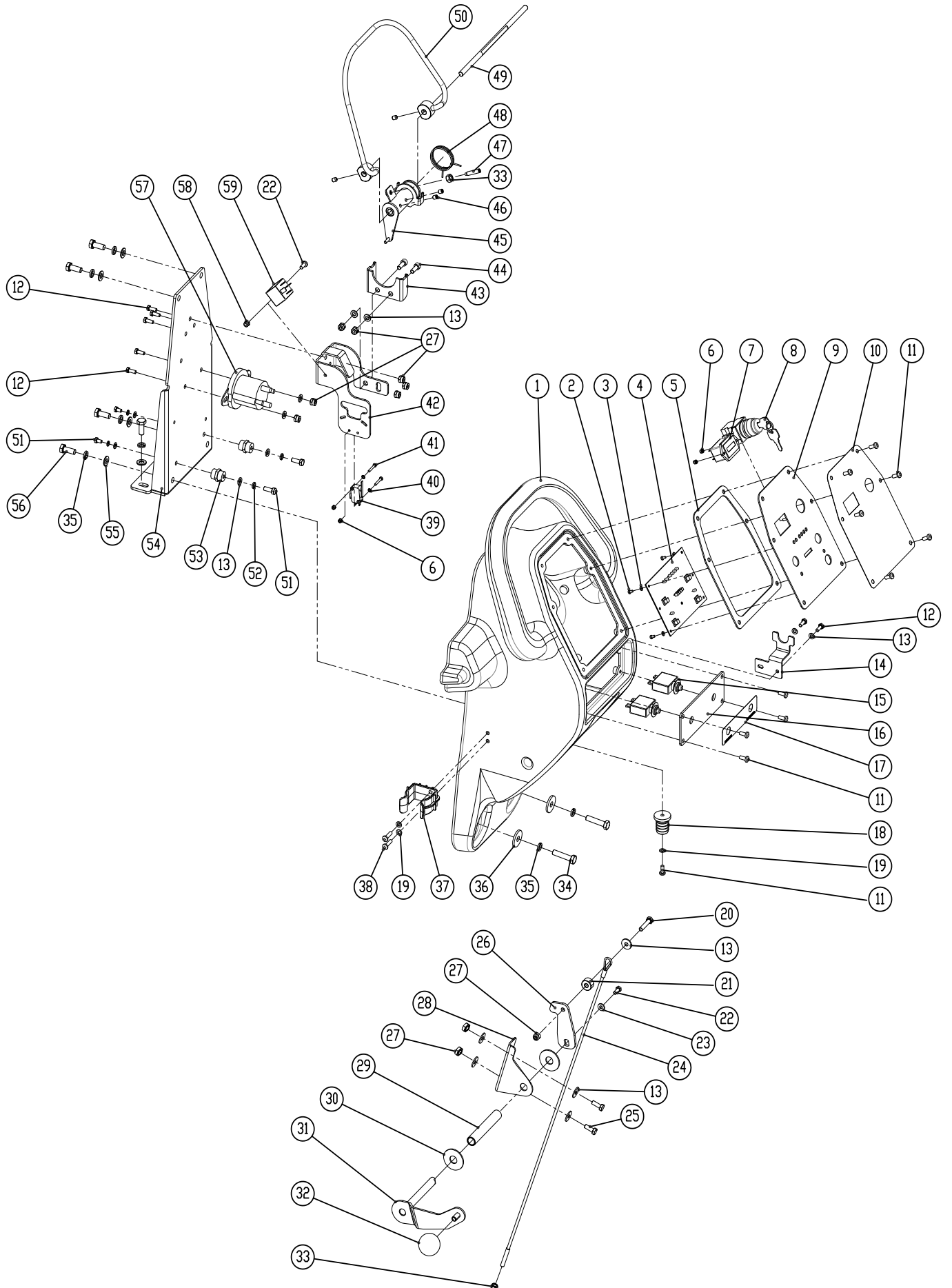
### SOLUTION TANK GROUP

DIA NO.	PART NUMBER	DESCRIPTION	SERIAL NUMBER	MACHINE TYPE	NO REQ'D
32		CONTACT ICE FOR PART NUMBER	000101~		2
33	8113012	BATTERY TRAY	000101~		1
34	8114750	BATTERY CONNECT CABLE, BLACK	000101~		1
35	8114751	JACKET, BATTERY TERMINAL, BLACK	000101~		4
36	1421510	FLAT WASHER M5×φ10×1	000101~		17
37	8119100	FILTER ASSEMBLY	000101~		1
38	8133025	LABEL, LEFT SIDE	000101~		1
39	1321110	SELF-TAPPING SCREW ST3.5 ×10	000101~		4
40	1421409	FLAT WASHER M4×φ9×0.8	000101~		5
41	8133610	LED LIGHT, KIT	000101~		1
42	8133601	LED LIGHT MNTG BASE	000101~		1
43	1221520	SCREW M5X20	000101~		3
44	8133602	LED LIGHT COVER	000101~		1
45	8113030	SEAL	000101~		1
46	8113002	COVER	000101~		1
47	8113007	STRAP	000101~		1
48	1321213	SELF-TAPPING SCREW ST4.2X13	000101~		1
49	4010316	ICE Logo	000101~		2
50	8133026	LABEL, RIGHT SIDE	000101~		1
51	1123305	LOCK NUT M3	000101~		2
52	8113010	BRACKET, CONNECTOR MTG	000101~		1
53	1434300	LOCK WASHER, TOOTH, M3	000101~		2
54	1211325	SCREW M3×25	000101~		2
55	8134783	BATTERY CONNECT CABLE, ASSEMBLY	000101~		1
56	1422513	LOCK WASHER M5	000101~		2
57	8133002	CAP, SOLUTION FILL	000101~		1
58	8113009	NYLON, CLAMP	000101~		9

#### NOTES:

1. If the specific model is not filled in the item of machine type, the material used for i20NB/i20NBT/i20NBT-OB/i24BT models is the same.

**CONTROL CONSOLE GROUP (i20NB1.0)**



# PARTS LIST

## CONTROL CONSOLE GROUP (i20NB1.0)

DIA NO.	PART NUMBER	DESCRIPTION	SERIAL NUMBER	MACHINE TYPE	NO REQ'D
1	8134001	CONTROL CONSOLE HOUSING	000165~000490	i20NB	1
2	1221306	SCREW M3×6	000101~		5
3	1421307	FLAT WASHER M3× φ 7×0.5	000101~		5
4	8114701	PCB ASSEMBLY	000165~000247	i20NB	1
5	8134015	GASKET	000101~		1
6	1123305	LOCK NUT M3	000101~		4
7	8114710	TIMER	000101~		1
8	8114709	KEY SWITCH	000101~		1
	8114752	KEY	000101~		1
9	8134010	CONTROL PANEL	000165~000490	i20NB	1
10	8134014	CONTROL PANEL DECAL, i20NB	000165~000490	i20NB	1
11	1221512	SCREW M5×12	000101~		12
12	1021616	HEX BOLT M6 X 16	000101~		7
13	1421618	PLAIN WASHER M6× φ 18×1.6,SS	000101~		8
14	8114008	BRACKET, SQGE STORAGE	000101~		1
15	8114703	CIRCUIT BREAKER, 5A	000165~000247	i20NB	1
16	8134006	PLATE, CIRCUIT BREAKERS MNTG	000101~		1
17	8144021	LABEL, CIRCUIT BREAKER	000101~		1
18	8114005	CONNECTOR	000101~		1
19	1421510	FLAT WASHER M5× φ 10×1.0	000101~		3
20	1021630	HEX HEAD BOLT M6×30,SS	000101~		1
21	8014101	LIFTING ROPE SPACER	000101~		1
22	1021512	HEX HEAD BOLT M5×12,SS	000101~		2
23	1421515	FLAT WASHER M5× φ 15×1.0	000101~		5
24	8134013	CABLE, SQGE LIFT	000165~000490	i20NB	1
25	1021620	HEX HEAD BOLT M6×20,SS	000101~		2
26	8014012	BAFFLE	000101~		1
27	1123608	LOCK NUT M6	000101~		10
28	8134501	BRACKET	000101~		1
29	8134508	SLEEVE	000101~		1
30	1421132	FLAT WASHER M12× φ 32×1.5	000101~		2
31	8014010	SQUEEGEE LIFTING HANDLE	000101~		1
32	8113104	BALL KNOB M8	000101~		1
33	1121605	HEX NUT M6	000101~		2
34	1021840	HEX BOLT M8×40	000101~		2
35	1422821	LOCK WASHER M8	000101~		8
36	1421828	FLAT WASHER M8× φ 28×3	000101~		2
37	6210111	CLAMP, DRAIN HOSE	000165~101503	i20NB	1
38	1221515	PH SCREW M5×15	000101~		2
39	8114712	MICRO SWITCH	000101~		1
40	1434300	LOCK WASHER, TOOTH, M3	000101~		2
41	1021320	SCREW M3×20	000101~		2
42	8134022	BRACKET, SWITCH	000101~		1
43	8114402	BRACKET, SPRING	000101~		1

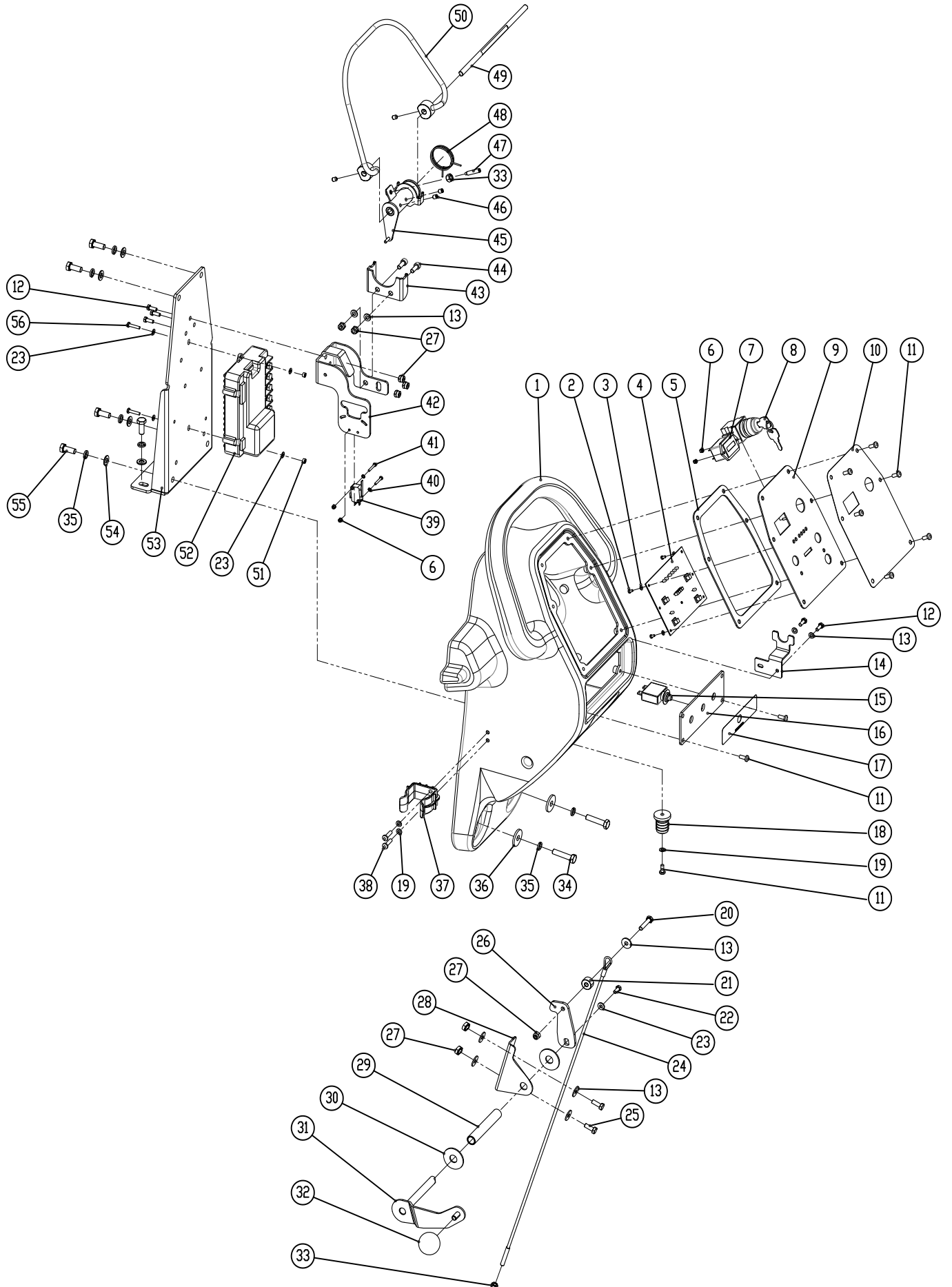
## PARTS LIST

### CONTROL CONSOLE GROUP (i20NB1.0)

DIA NO.	PART NUMBER	DESCRIPTION	SERIAL NUMBER	MACHINE TYPE	NO REQ'D
44	1521616	SCREW M6X16, HEX SCOKET	000101~		2
45	8114300	ACTUATOR	000101~		1
46	1534608	SET SCREW M6 ×8	000101~		4
47	1535630	SET SCREW M6 ×30	000101~		1
48	8114306	SPRING	000101~		1
49	8114101	SHAFT	000101~		1
50	8134300	LEVER, BAIL	000905~	i20NB	1
51	1021610	HEX HEAD BOLT M6 X 10	000101~		4
52	1422616	LOCK WASHER, M6	000101~		4
53	8114705	STAND-OFF, M6	000101~		2
54	8134021	REAR PLATE, CONTROL CONSOLE	000165~000490	i20NB	1
55	1421824	FLAT WASHER M8× 24×2	000101~		6
56	1021820	HEX BOLT M8×20	000101~		6
57	8124704	SOLENOID SWITCH	000165~000247	i20NB	1
58	1123507	LOCK NUT M5	000101~		1
59	8114707	RELAY, 40A	000165~	i20NB	1



**CONTROL CONSOLE GROUP (i20NB1.5)**



# PARTS LIST

## CONTROL CONSOLE GROUP (i20NB1.5)

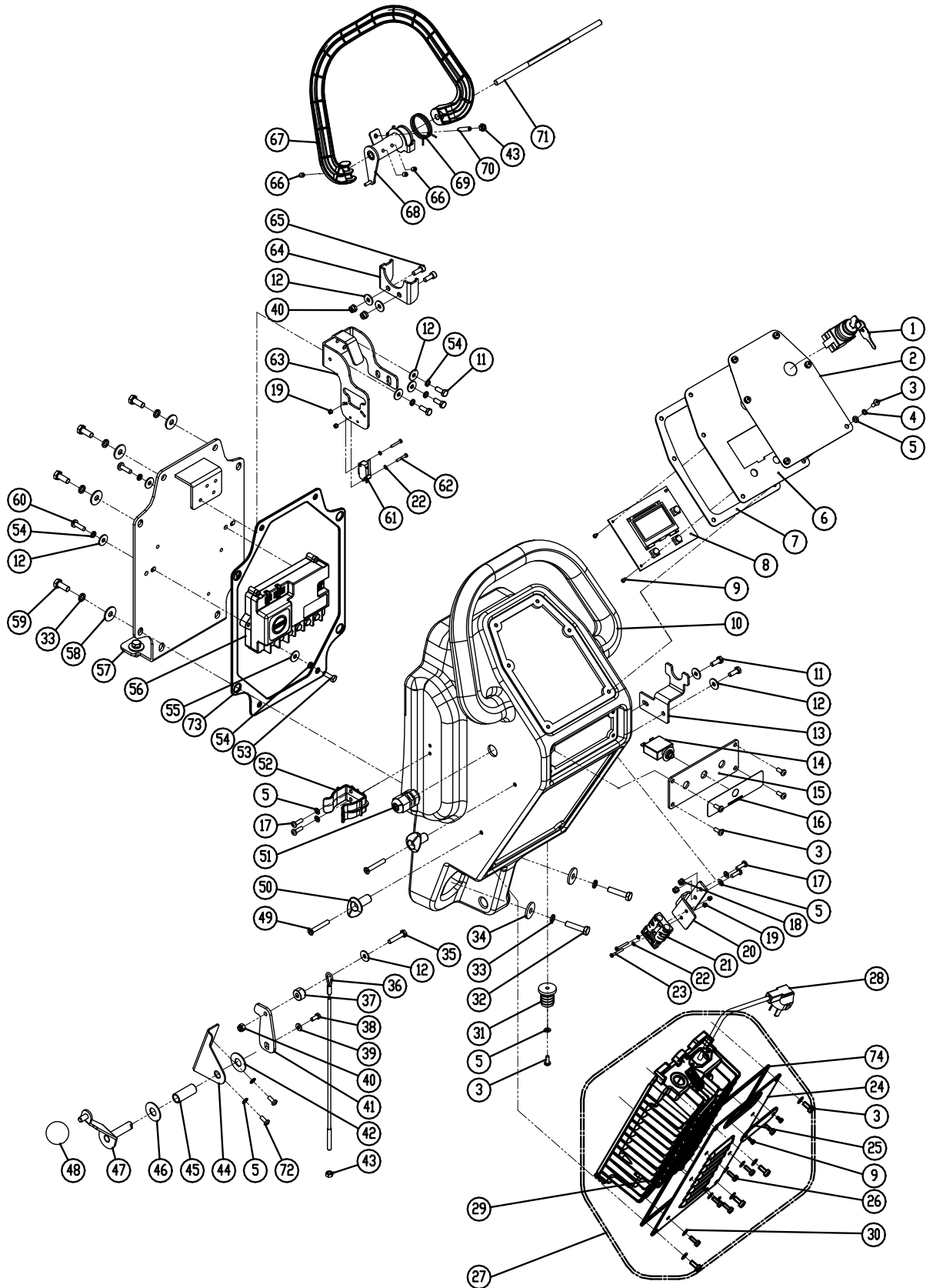
DIA NO.	PART NUMBER	DESCRIPTION	SERIAL NUMBER	MACHINE TYPE	NO REQ'D
1	8134001	CONTROL CONSOLE HOUSING	000165~000490	i20NB	1
2	1221306	SCREW M3×6			5
3	1421307	FLAT WASHER M3× ϕ 7×0.5			5
4	8134702	PCB ASSEMBLY	000271~000490	i20NB	1
5	8134015	GASKET			1
6	1123305	LOCK NUT M3			4
7	8114710	TIMER			1
8	8114709	KEY SWITCH			1
	8114752	KEY			1
9	8134010	CONTROL PANEL	000165~000490	i20NB	1
10	8134014	CONTROL PANEL DECAL, i20NB	000165~000490	i20NB	1
11	1221512	SCREW M5×12			12
12	1021616	HEX BOLT M6 X 16			7
13	1421618	PLAIN WASHER M6× ϕ 18×1.6,SS			8
14	8114008	BRACKET, SQGE STORAGE			1
15	8310740	CIRCUIT BREAKER, 5A	000905~	i20NB	1
16	8134006	PLATE, CIRCUIT BREAKERS MNTG			1
17	8144025	LABEL, CIRCUIT BREAKER			1
18	8114005	CONNECTOR			1
19	1421510	FLAT WASHER M5× ϕ 10×1.0			3
20	1021630	HEX HEAD BOLT M6×30,SS			1
21	8014101	LIFTING ROPE SPACER			1
22	1021512	HEX HEAD BOLT M5×12,SS			2
23	1421515	FLAT WASHER M5× ϕ 15×1.0			5
24	8134013	CABLE, SQGE LIFT	000165~000490	i20NB	1
25	1021620	HEX HEAD BOLT M6×20,SS			2
26	8014012	BAFFLE			1
27	1123608	LOCK NUT M6			10
28	8134501	BRACKET			1
29	8134508	SLEEVE			1
30	1421132	FLAT WASHER M12× ϕ 32×1.5			2
31	8014010	SQUEEGEE LIFTING HANDLE			1
32	8113104	BALL KNOB M8			1
33	1121605	HEX NUT M6			2
34	1021840	HEX BOLT M8×40			2
35	1422821	LOCK WASHER M8			8
36	1421828	FLAT WASHER M8× ϕ 28×3			2
37	6210111	CLAMP, DRAIN HOSE	000165~101503	i20NB	1
38	1221515	PH SCREW M5×15			2
39	8114712	MICRO SWITCH			1
40	1434300	LOCK WASHER, TOOTH, M3			2
41	1021320	SCREW M3×20			2
42	8134022	BRACKET, SWITCH			1
43	8114402	BRACKET, SPRING			1
44	1521616	SCREW M6X16, HEX SCOKET			2
45	8114300	ACTUATOR			1

# PARTS LIST

## CONTROL CONSOLE GROUP (i20NB1.5)

DIA NO.	PART NUMBER	DESCRIPTION	SERIAL NUMBER	MACHINE TYPE	NO REQ'D
46	1534608	SET SCREW M6 ×8			4
47	1535630	SET SCREW M6 ×30			1
48	8114306	SPRING			1
49	8114101	SHAFT			1
50	8134300	LEVER, BAIL	000905~	i20NB	1
51	1123507	LOCK NUT M5			2
52	8134701	MAIN CONTROLLER	000271~000490	i20NB	1
53	8134021	REAR PLATE, CONTROL CONSOLE	000165~000490	i20NB	1
54	1421824	FLAT WASHER M8× 24×2			6
55	1021820	HEX BOLT M8×20			6
56	1221525	PH SCREW M5 X 25			2

**CONTROL CONSOLE GROUP (i20NB2.0)**



# PARTS LIST

## CONTROL CONSOLE GROUP (i20NB2.0)

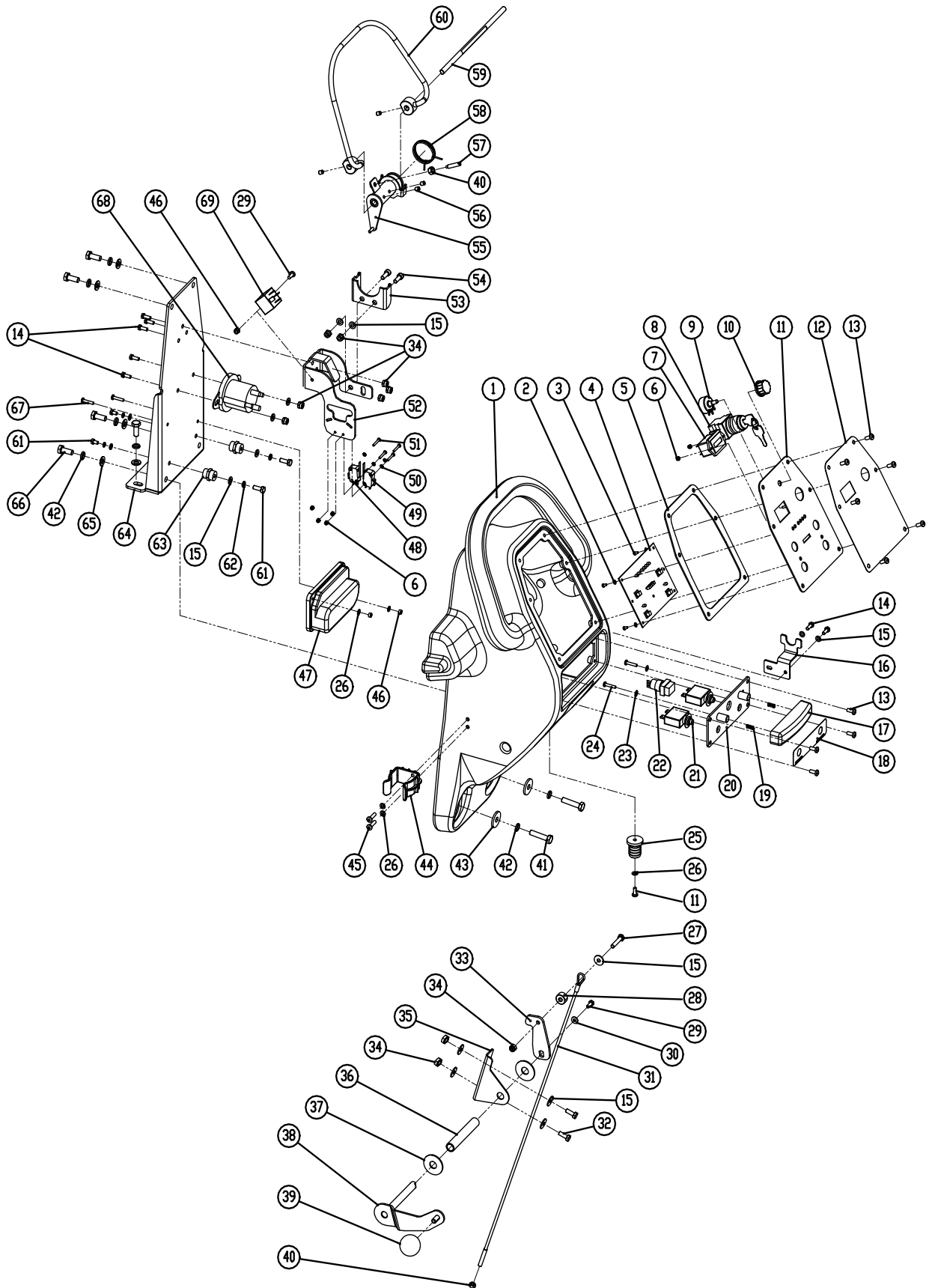
DIA NO.	PART NUMBER	DESCRIPTION	SERIAL NUMBER	MACHINE TYPE	NO REQ'D
1	8114709	KEY SWITCH			1
	8114752	KEY			1
2	8134724	CONTROL PANEL DECAL, i20NB	000694~	i20NB	1
3	1223512	SCREW M5×12			17
4	1422513	LOCK WASHER M5			6
5	1421510	FLAT WASHER M5×φ10×1.0			13
6	8134720	CONTROL PANEL, i20NB	000529~	i20NB	1
7	8134015	GASKET			1
8	8134734	CONTROL PANEL PCB, i20NB (AGM / EN)	000529~	i20NB	1
9	1221306	SCREW M3×6			7
10	8134005A	CONTROL HOUSING	000529~	i20NB	1
11	1021616	HEX BOLT M6 X 16			5
12	1421618	PLAIN WASHER M6×φ18×1.6,SS			10
13	8114008	BRACKET, SQGE STORAGE			1
14	8310740	CIRCUIT BREAKER, 5A	000529~	i20NB	1
15	8134006	PLATE, CIRCUIT BREAKERS MNTG			1
16	8144025	LABEL, CIRCUIT BREAKER			1
17	1221515	PH SCREW M5×15			4
18	1123507	LOCK NUT M5			4
19	1123305	LOCK NUT M3			4
20	8113010	BRACKET, CONNECTOR MTG			1
21	8113020	CONNECTOR			1
22	1434300	LOCK WASHER, TOOTH, M3			4
23	1211325	SCREW M3×25			2
24	8134060	PLATE, ON BOARD BATTERY CHARGER	000529~	i20NB	1
25	8134061	CLEAR COVER			1
26	1221512	SCREW M5×12			4
27	8132010-US	ON-BOARD CHARGER SPE 13-amp 24 volt,KIT	000165~000999	i20NB	1
	8132020-PC	ON BOARD CHARGER Pro CHARGING SYSTEM 13-AMP 24 VOLT (OPTION)	000165~000999	i20NB	
	8132015A	ON-BOARD CHARGER FLEXCHAR, PRESET Trojan CHARGING CUVE(OPTION),KIT	No record	i20NB	
28	8112030A	BATTERY CHARGER POWER CORD, KIT	000529~	i20NB	1
29	8134083	CONTROL BOX SEAL RING	101652~	i20NB	1
30	1421409	FLAT WASHERM4×φ9×0.8			6
31	8114005	CONNECTOR			1
32	1021840	HEX BOLT M8×40			2
33	1422821	LOCK WASHER M8			12
34	1421828	FLAT WASHER M8×φ28×3			2
35	1021630	HEX HEAD BOLT M6×30,SS			1
36	8134082	CABLE, SQGE LIFT	000529~	i20NB	1
37	8014101	LIFTING ROPE SPACER			1
38	1021610	HEX HEAD BOLT M6×10,SS			1
39	1421616	FLAT WASHER M6×φ16×1.0			1
40	1123608	LOCK NUT M6			3
41	8014012	BAFFLE			1
42	8113111	NYLON FLAT WASHER φ12.9×φ25.4×0.8			1

# PARTS LIST

## CONTROL CONSOLE GROUP (i20NB2.0)

DIA NO.	PART NUMBER	DESCRIPTION	SERIAL NUMBER	MACHINE TYPE	NO REQ'D
43	1121605	HEX NUT M6			2
44	8134501	BRACKET			1
45	8134081	SLEEVEE			1
46	1421132	FLAT WASHER M12×φ32×1.5			1
47	8134080	SQUEEGEE LIFTING HANDLE			1
48	8113104	BALL KNOB M8			1
49	1222641	SUNK HEAD SCREW M6 X 40			2
50	8210112	HOOK, POWER CORD			2
51	8014054	STRAIN RELIEF			1
52	6210111	CLAMP, DRAIN HOSE	000165~101503	i20NB	1
	6210120	CLAMP, DRAIN HOSE	101504~	i20NB	
53	1023612	HEX BOLT M6 X 12, COPPER			6
54	1422616	LOCK WASHER, M6			11
55	1423612	FLAT WASHER M6× φ12×1, COPPER			6
56	8134790	MAIN CONTROLLER, i20NB	000529~	i20NB	1
57	8134070	REAR PLATE, CONTROL CONSOLE	000529~	i20NB	1
58	1421824	FLAT WASHER M8× φ24×2			10
59	1021820	HEX BOLT M8×20			10
60	1221620	PH SCREW M6 X 20			2
61	8114712	MICRO SWITCH			1
62	1021320	SCREW M3 X 20			2
63	8134022	BRACKET, SWITCH			1
64	8114402	BRACKET, SPRING			1
65	1521616	SCREW M6X16, HEX SCOKET			2
66	1534608	SET SCREW M6 ×8			4
67	8134300	LEVER, BAIL	000529~	i20NB	1
68	8114300	ACTUATOR			1
69	8114306	SPRING			1
70	1535630	SET SCREW M6 ×30			1
71	8114101	SHAFT			1
72	1021512	HEX HEAD BOLT M5×12,SS			2
73	8134085	CONTROL BOX BACK SEALING RING	101666~	i20NB	1

**CONTROL CONSOLE GROUP (i20NBT /i24BT1.0)**



# PARTS LIST

## CONTROL CONSOLE GROUP (i20NB/i24BT1.0)

DIA NO.	PART NUMBER	DESCRIPTION	SERIAL NUMBER	MACHINE TYPE	NO REQ'D
1	8134001	CONTROL CONSOLE HOUSING	000187~000603	I20NBT	1
			000101~000288	i20NBT-OB	
			000139~000321	i24BT	
2	1421307	FLAT WASHER M3× ϕ 7×0.5	000101~		5
3	1221306	SCREW M3×6	000101~		5
4	8124701	PCB ASSEMBLY	000187~000603	I20NBT	1
			000101~000288	i20NBT-OB	
			000139~000321	i24BT	
5	8134015	GASLET	000101~		1
6	1123305	LOCK NUT M3	000101~		6
7	8114710	TIMER	000101~		1
8	8114709	KEY SWITCH	000101~		1
	8114752	KEY	000101~		1
9	8124717A	POTENTIOMETER, KIT	000101~		1
10	8124718	KNOB, POTENTIOMETER	000101~		1
11	8144010	CONTROL PANEL	000187~000603	I20NBT	1
			000101~000288	i20NBT-OB	
			000139~000321	i24BT	
12	8144014	CONTROL PANEL DECAL, i20NBT	000187~000628	I20NBT	1
			000101~000288	i20NBT-OB	
			No record	i24BT	
	8144015	CONTROL PANEL DECAL, i24BT	No record	I20NBT	
			000139~000321	i24BT	
13	1221512	SCREW M5×12	000101~		12
14	1021616	HEX BOLT M6 X 16	000101~		7
15	1421618	PLAIN WASHER M6× ϕ 18×1.6,SS	000101~		15
16	8114008	BRACKET, SQGE STORAGE	000101~		1
17	8124007	BUTTON,EMERGENCY STOP	000187~001030	I20NBT	1
			000101~000435	i20NBT-OB	
			000139~000532	i24BT	
18	8144022	LABEL, CIRCUIT BREAKER	000101~		1
19	8124008	SPRING	000187~001030	I20NBT	2
			000101~000435	i20NBT-OB	
			000139~000532	i24BT	
20	8144030	BASE, CIRCUIT BREAKERS MNTG	000187~001030	I20NBT	1
			000101~000435	i20NBT-OB	
			000139~000532	i24BT	
21	8114703	CIRCUIT BREAKER, 35A	000187~000603	I20NBT	3
			000101~000288	i20NBT-OB	
			000139~000321	i24BT	
22	8124715A	EMERGENCY STOP SWITCH, KIT	000187~001030	I20NBT	1
			000101~000435	i20NBT-OB	
			000139~000532	i24BT	
23	1421409	FLAT WASHER M4× ϕ 9×0.8	000101~		2
24	1221421	SCREW M4×20	000101~		2
25	8114005	CONNECTOR	000101~		1
26	1421510	FLAT WASHER M5× ϕ 10×1.0	000101~		5
27	1021630	HEX HEAD BOLT M6×30,SS	000101~		1



# PARTS LIST

## CONTROL CONSOLE GROUP (i20NB/i24BT1.0)

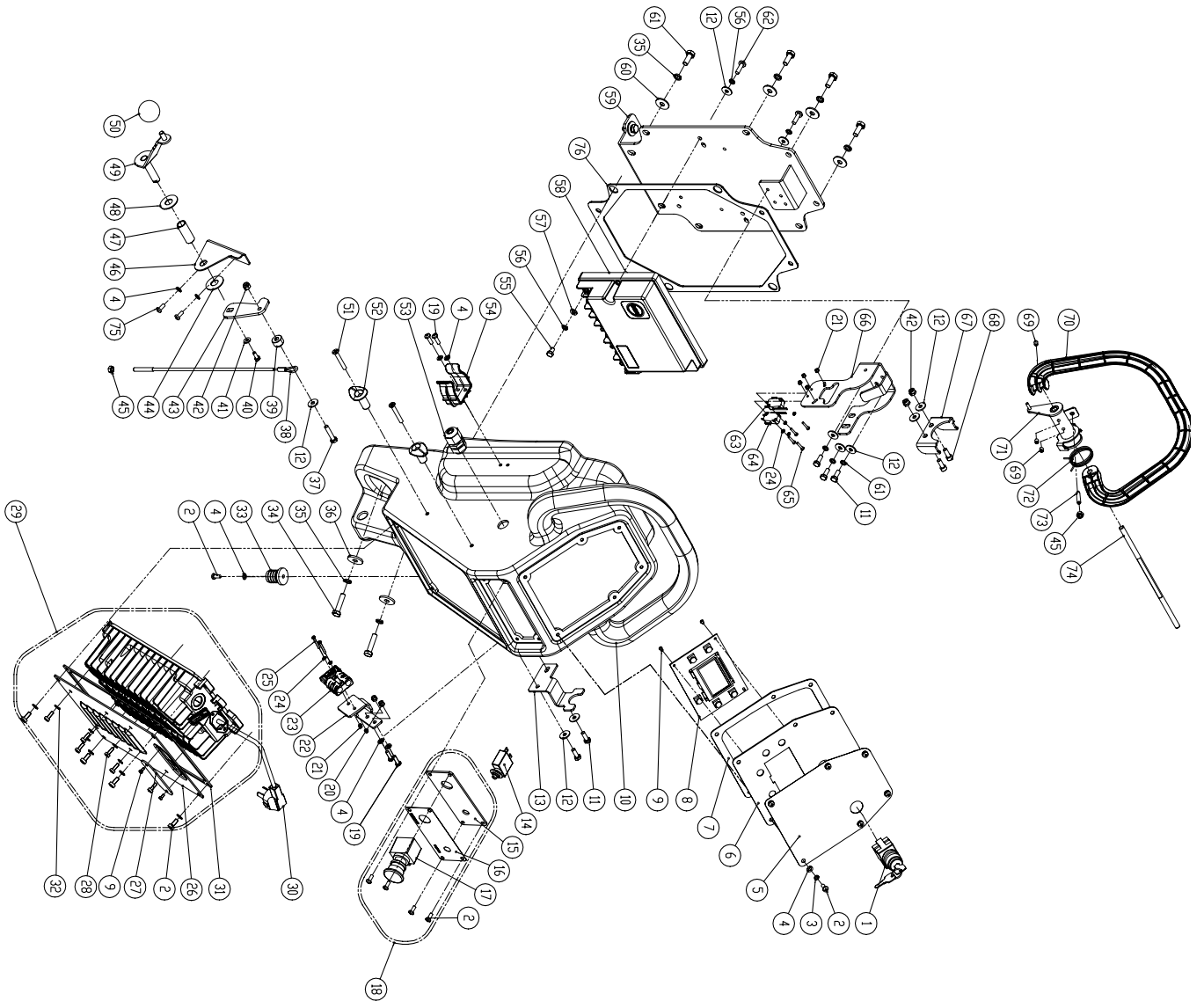
DIA NO.	PART NUMBER	DESCRIPTION	SERIAL NUMBER	MACHINE TYPE	NO REQ'D
28	8014101	LIFTING ROPE SPACER	000101~		1
29	1021512	HEX HEAD BOLT M5×12,SS	000101~		2
30	1421515	FLAT WASHER M5× φ 15×1.0	000101~		1
31	8134013	CABLE, SQGE LIFT	000101~		1
32	1021620	HEX HEAD BOLT M6×20,SS	000101~		2
33	8014012	BAFFLE	000101~		1
34	1123608	LOCK NUT M6	000101~		10
35	8134501	BRACKET	000101~		1
36	8134508	SLEEVE	000101~		1
37	1421132	FLAT WASHER M12× φ 32×1.5	000101~		2
38	8014010	SQUEEGEE LIFTING HANDLE	000101~		1
39	8113104	BALL KNOB M8	000101~		1
40	1121605	HEX NUT M6	000101~		2
41	1021840	HEX HEAD BOLT M8×40	000101~		2
42	1422821	LOCK WASHER M8	000101~		8
43	1421828	FLAT WASHER M8× φ 28×3	000101~		2
44	6210111	CLAMP, DRAIN HOSE	000187~101635	i20NB	1
			000101~100728	i20NB-OB	
			000139~100692	i24BT	
45	1221515	PAN HEAD SCREW M5×15	000101~		2
46	1123507	LOCK NUT M5	000101~		3
47	8124501	SPEED CONTROL BOARD	000187~000603	i20NB	1
			000101~000288	i20NB-OB	
			000139~000321	i24BT	
48	8124743	MICRO SWITCH	000101~		1
49	8114712	MICRO SWITCH	000101~		1
50	1434300	LOCK WASHER, TOOTH, M3	000101~		4
51	1021320	HEX HEAD SCREW M3×20	000101~		4
52	8134022	BRACKET, SWITCH	000101~		1
53	8114402	BRACKET, SPRING	000101~		1
54	1521616	SCREW M6X16, HEX SCOKET	000101~		2
55	8114300	ACTUATOR	000101~		1
56	1534608	SET SCREW M6 ×8	000101~		4
57	1535630	SET SCREW M6 ×30	000101~		1
58	8114306	SPRING	000101~		1
59	8114101	SHAFT	000101~		1
60	8134300	LEVER, BAIL	000681~	i20NB	1
			000294~	i20NB-OB	
			000433~	i24BT	
61	1021610	HEX HEAD BOLT M6 × 10	000101~		4
62	1422616	LOCK WASHER, M6	000101~		4
63	8114705	STAND-OFF, M6	000101~		2
64	8134021	REAR PLATE, CONTROL CONSOLE	000187~000603	i20NB	1
			000101~000288	i20NB-OB	
			000139~000321	i24BT	
65	1421824	FLAT WASHER M8× φ 24×2	000101~		6
66	1021820	HEX HEAD BOLT M8×20	000101~		6
67	1021535	HEX HEAD BOLT, M5 × 35	000101~		2

## PARTS LIST

### CONTROL CONSOLE GROUP (i20NBT/i24BT1.0)

DIA NO.	PART NUMBER	DESCRIPTION	SERIAL NUMBER	MACHINE TYPE	NO REQ'D
68	8124704	SOLENOID SWITCH	000187~000603	I20NBT	1
			000101~000288	i20NBT-OB	
			000139~000321	i24BT	
69	8114707	RELAY, 40A	000187~	I20NBT	1
			000101~	i20NBT-OB	
			000139~	i24BT	

**CONTROL CONSOLE GROUP (i20NBT /i24BT2.0)**



# PARTS LIST

## CONTROL CONSOLE GROUP (i20NBT /i24BT2.0)

DIA NO.	PART NUMBER	DESCRIPTION	SERIAL NUMBER	MACHINE TYPE	NO REQ'D	
1	8114709	KEY SWITCH			1	
	8114752	KEY			1	
2	1221512	SCREW M5×12			17	
3	1422513	LOCK WASHER M5			6	
4	1421510	FLAT WASHER M5×φ10×1.0			13	
5	8144724	CONTROL PANEL DECAL, i20NBT	000604~	i20NBT	1	
			000294~	i20NBT-OB		
	8144725	CONTROL PANEL DECAL, i24BT	No record	i24BT	1	
			No record	i20NBT		
6	8144720	CONTROL PANEL, i20NBT	000604~	i20NBT		1
			000294~	i20NBT-OB		
		No record	i24BT			
7	8134015	GASKET	000101~		1	
8	8144795	CONTROL PANEL PCB, i20NBT (AGM / EN)	000681~	i20NBT	1	
			000294~	i20NBT-OB		
			000433~	i24BT		
	8144797	CONTROL PANEL PCB, i20NBT (WET FLOODED / EN)	No record	i20NBT	1	
No record			i20NBT-OB			
		No record	i24BT			
9	1221306	SCREW M3×6	000101~		7	
10	8134005A	CONTROL HOUSING, i20NB	000681~	i20NBT	1	
			000294~	i20NBT-OB		
			000433~	i24BT		
11	1021616	HEX BOLT M6 X 16			5	
12	1421618	PLAIN WASHER M6×φ18×1.6,SS			10	
13	8114008	BRACKET, SQGE STORAGE			1	
14	8310740	CIRCUIT BREAKER, 5A	000681~	i20NBT	1	
			000294~	i20NBT-OB		
			000433~	i24BT		
15	8134007	BASE, EMERGENCY STOP SWITCH	001031~	i20NBT	1	
			000436~	i20NBT-OB		
			000533~	i24BT		
16	8144027	LABEL, EMERGENCY STOP SWITCH	001031~	i20NBT	1	
			000436~	i20NBT-OB		
			000533~	i24BT		
17	8310707	BUTTON,EMERGENCY STOP	001031~	i20NBT	1	
			000436~	i20NBT-OB		
			000533~	i24BT		
18	8124710	EMERGENCY STOP SWITCH KIT			1	
19	1221515	PH SCREW M5×15			4	
20	1123507	LOCK NUT M5			6	
21	1123305	LOCK NUT M3			6	
22	8113030	BRACKET, CONNECTOR MTG			1	
23	8134750	CONNECTOR, GRID, BLUE			1	
24	1434300	LOCK WASHER, TOOTH, M3			6	
25	1211325	SCREW M3×25			2	

# PARTS LIST

## CONTROL CONSOLE GROUP (i20NBT / i24BT2.0)

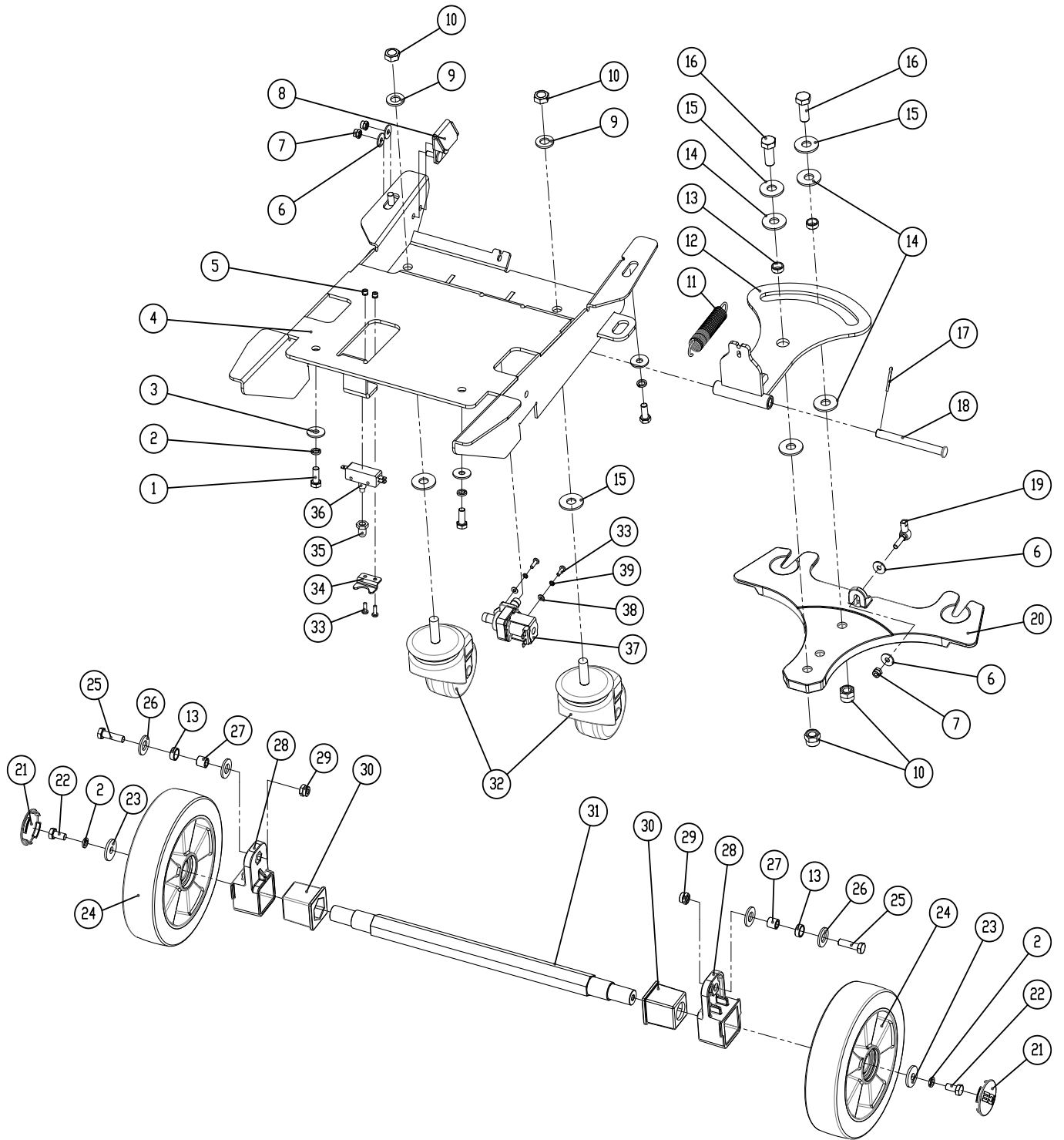
DIA NO.	PART NUMBER	DESCRIPTION	SERIAL NUMBER	MACHINE TYPE	NO REQ'D
26	8134060	PLATE, ON BOARD BATTERY CHARGER	000681~	i20NBT	1
			000294~	i20NBT-OB	
			000433~	i24BT	
27	8134061	CLEAR COVER			1
28	1221412	SCREW M4×12			4
29	8132020-PC	ON BOARD CHARGER Pro CHARGING SYSTEM 13-AMP 24 VOLT, KIT (OPTION)	000187~000850	i20NBT	1
			000101~000410	i20NBT-OB	
			000139~000482	i24BT	
30	8112030A	BATTERY CHARGER POWER CORD, KIT	000681~	i20NBT	1
			000294~	i20NBT-OB	
			000433~	i24BT	
31	8132020-PCK	24 VOLT 13AMP ONBOARD CHARGER (PRO-CHARGING) WITH MOUNTING PLATE AND BRACKET	000101~000528	i20NB	1
			000101~000630	i20NBT	
			000101~000293	i20NBT-OB	
			000101~000320	i24BT	
32	1421409	FLAT WASHERM4×φ9×0.8			6
33	8114005	CONNECTOR			1
34	1021840	HEX BOLT M8×40			2
35	1422821	LOCK WASHER M8			12
36	1421828	FLAT WASHER M8×φ28×3			2
37	1021630	HEX HEAD BOLT M6×30,SS			1
38	8134082	CABLE, SQGE LIFT	000681~	i20NBT	1
			000294~	i20NBT-OB	
			000433~	i24BT	
39	8014101	LIFTING ROPE SPACER			1
40	1021610	HEX HEAD BOLT M6×10,SS			1
41	1421616	FLAT WASHER M6×φ16×1.0			1
42	1123608	LOCK NUT M6			3
43	8014012	BAFFLE			1
44	8113111	NYLON FLAT WASHER φ12.9×φ25.4×0.8			1
45	1121605	HEX NUT M6			2
46	8134501	BRACKET			1
47	8134081	SLEEVEE			1
48	1421132	FLAT WASHER M12×φ32×1.5			1
49	8134080	SQUEEGEE LIFTING HANDLE			1
50	8113104	BALL KNOB M8			1
51	1222641	SUNK HEAD SCREW M6 X 40			2
52	8210112	HOOK, POWER CORD			2
53	8014054	STRAIN RELIEF			1
54	6210111	CLAMP, DRAIN HOSE	000187~101635	i20NBT	1
			000101~100728	i20NBT-OB	
			000139~100692	i24BT	
55	1023612	HEX BOLT M6 X 12, COPPER			8
56	1422616	LOCK WASHER, M6			13
57	1423612	FLAT WASHER M6× φ12×1, COPPER			8
58	8144790	MAIN CONTROLLER, i20NBT	000604~	i20NBT	1
			000294~	i20NBT-OB	
			000321~	i24BT	

# PARTS LIST

## CONTROL CONSOLE GROUP (i20NBT / i24BT2.0)

DIA NO.	PART NUMBER	DESCRIPTION	SERIAL NUMBER	MACHINE TYPE	NO REQ'D
59	8134070	REAR PLATE, CONTROL CONSOLE	000681~	I20NBT	1
			000294~	i20NBT-OB	
			000433~	i24BT	
60	1421824	FLAT WASHER M8× φ24×2			10
61	1021820	HEX BOLT M8×20			10
62	1221620	PH SCREW M6×20			2
63	8114712	MICRO SWITCH			1
64	8124743	MICRO SWITCH			1
65	1021320	SCREW M3 X 20			4
66	8134022	BRACKET, SWITCH			1
67	8114402	BRACKET, SPRING			1
68	1521616	SCREW M6X16, HEX SCOKET			2
69	1534608	SET SCREW M6 ×8			4
70	8134300	LEVER, BAIL	000681~	I20NBT	1
			000294~	i20NBT-OB	
			000433~	i24BT	
71	8114300	ACTUATOR			1
72	8114306	SPRING			1
73	1535630	SET SCREW M6 ×30			1
74	8114101	SHAFT			1
75	1021512	HEX HEAD BOLT M5×12,SS			2
76	8134085	CONTROL BOX BACK SEALING RING	102014~	I20NBT	1
			100917~	i20NBT-OB	
			100882~	i24BT	
77	8134083	CONTROL BOX SEAL RING	101959~	I20NBT	1
			100841~	i20NBT-OB	
			100868~	i24BT	

**FRAME & WHEEL GROUP (i20NB1.0)**



# PARTS LIST

## FRAME & WHEEL GROUP (i20NB1.0)

DIA NO.	PART NUMBER	DESCRIPTION	SERIAL NUMBER	MACHINE TYPE	NO REQ'D
1	1021820	HEX HEAD BOLT M8×20	000101~		4
2	1422821	LOCK WASHER M8	000101~		6
3	1421824	FLAT WASHER M8× ϕ 24×2	000101~		4
4	8135100	MAIN FRAME	000165~000490	i20NB	1
5	1123406	LOCK NUT M4	000101~		2
6	1421618	FLAT WASHER M6× ϕ 18×1.6	000101~		4
7	1123608	LOCK NUT M6	000101~		3
8	8115300	BRACKET, PEDAL LOCKING	000101~		1
9	1421124	FLAT WASHER M12× ϕ 24×2.5	000101~		2
10	1123115	LOCK NUT M12	000101~		4
11	8115004	SPIRNG	000101~		1
12	8135010	BRACKET, SQGE LIFT	000101~		1
13	8115405	SLEEVE, P/M	000101~		4
14	8135001	PLASTIC THRUST WASHER M12× ϕ 30×1.5	000101~		4
15	1421132	FLAT WASHER M12× ϕ 32×1.5	000101~		4
16	1021230	HEX HEAD BOLT M12 ×30	000101~		2
17	1645324	COTTER 3.2 ×24	000101~		1
18	8115003	PIN	000101~		1
19	8114511	BALL JOINT M6	000101~		1
20	8115001	BRACKET, SQGE MNTG	000101~		1
21	8115203	COVER, WHEEL	000101~		2
22	1021816	HEX HEAD BOLT M8×16	000101~		2
23	1421828	FLAT WASHER M8× ϕ 28×3	000101~		2
24	8115200	WHEEL, 8 INCH	000165~	i20NB	2
25	1021835	HEX HEAD BOLT M8×35	*		2
26	8117007	NYLON WASHER ϕ 12.9× ϕ 24×2.5	*		4
27	8115404	BEARING, JOURNAL	*		2
28	8115402	ADAPTER, AXLE MNTG	000165~000490	i20NB	2
29	1123810	LOCK NUT M8	*		2
30	8115403	GROMMENT, AXLE	*		2
31	8135401	AXLE, WHEEL	*		1
32	8115500	CASTER, SWIVEL, 80MM	000101~		2
33	1221412	PAN HEAD SCREW M4×12	*		4
34	8115009	BRACKET	*		1
35	8115008	CAP, MICRO SWITCH, 3/8	*		1
36	8115007	MICRO SWITCH 25A	000165~000490	i20NB	1
37	8119003	SOLENOID VALVE, 24VDC	000165~	i20NB	1



## PARTS LIST

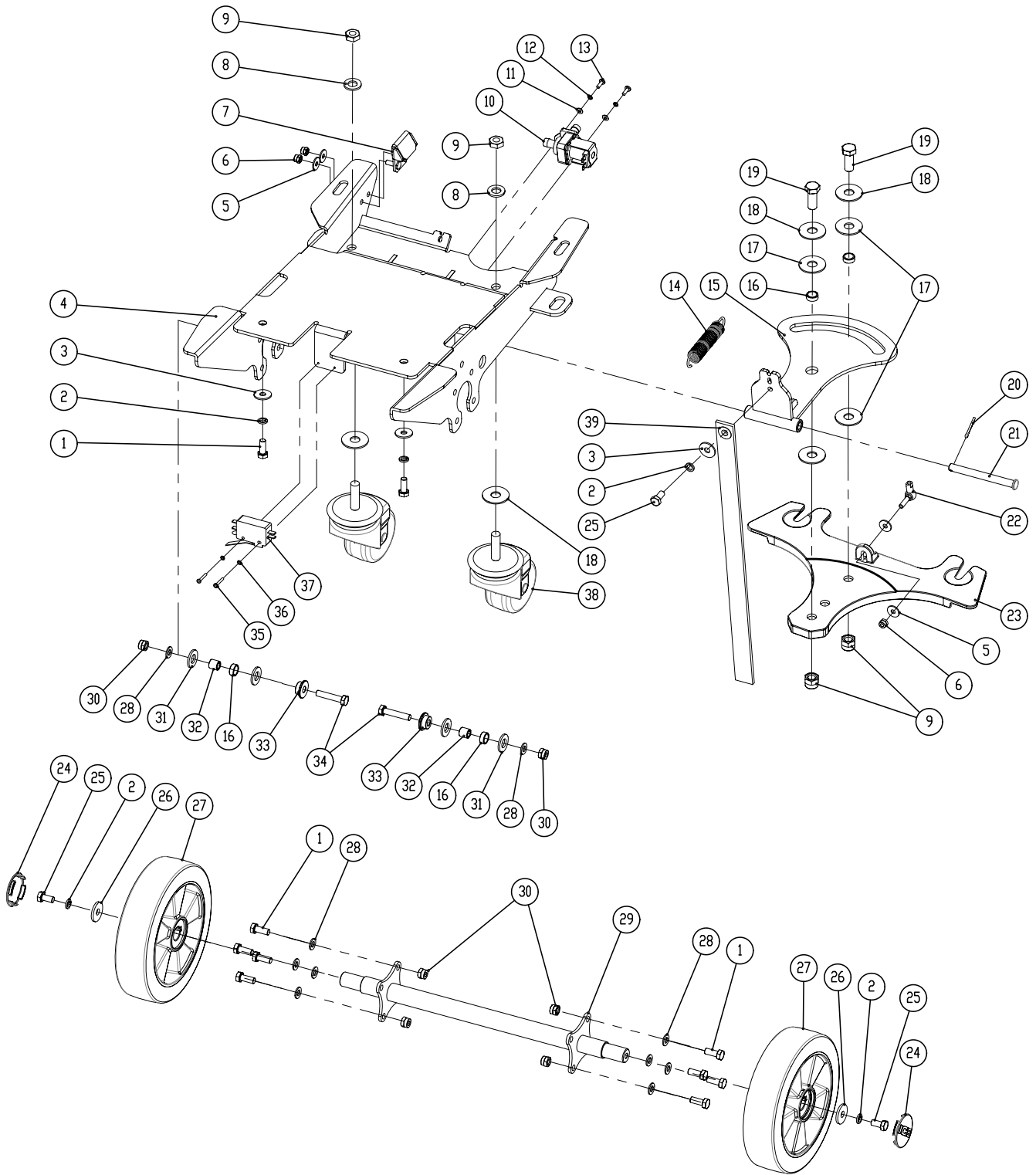
### FRAME & WHEEL GROUP (i20NB1.0)

DIA NO.	PART NUMBER	DESCRIPTION	SERIAL NUMBER	MACHINE TYPE	NO REQ'D
38	1421409	FLAT WASHER M4× $\phi$ 9×0.8	000101~		2
39	1422411	LOCK WASHER M4	000101~		2

NOTES:

1、Parts marked \* in the serial number column have the same serial number switching time as the DIA NO "28".

FRAME & WHEEL GROUP (i20NB2.0)



# PARTS LIST

## FRAME & WHEEL GROUP (i20NB2.0)

DIA NO.	PART NUMBER	DESCRIPTION	SERIAL NUMBER	MACHINE TYPE	NO REQ'D
1	1021820	HEX BOLT M8×20			12
2	1422821	LOCK WASHER M8			7
3	1421824	FLAT WASHER M8×φ24×2			5
4	8145100	MAIN FRAME	000433~	i20NB	1
5	1421618	FLAT WASHER M6×φ18×1.6			4
6	1123608	LOCK NUT M6			3
7	8115300	BRACKET, PEDAL LOCKING			1
8	1421124	FLAT WASHER M12×φ24×2.5			4
9	1123115	LOCK NUT M12			4
10	8119003	SOLENOID VALVE, 24VDC	000165~	i20NB	1
11	1421409	FLAT WASHER M4×φ9×0.8			2
12	1422411	LOCK WASHER M4			2
13	1221412	SCREW M4×12			4
14	8115004	SPIRNG			1
15	8135010	BRACKET, SQGE LIFT			1
16	8115005	AXLE SLEEVE			2
17	8135001	PLASTIC THRUST WASHER M12×φ30×1.5			4
18	1421132	FLAT WASHER M12×φ32×1.5			4
19	1021230	HEX BOLT M12 ×30			2
20	1645324	COTTER 3.2 ×24			1
21	8115003	PIN			1
22	8114511	BALL JOINT M6			1
23	8115001	BRACKET, SQGE MNTG			1
24	8115203	COVER, WHEEL			2
25	1021816	HEX BOLT M8×16			3
26	1421828	FLAT WASHER M8×φ28×3			2
27	8115200	WHEEL, 8 INCH	000165~	i20NB	2
	1612607	BALL BEARING, 6004LU			4
28	1421816	FLAT WASHER M8×φ16×1.6	*		10
29	8135405	SHAFT	000433~	i20NB	1
30	1123810	LOCK NUT M8	*		10
31	8117007	NYLON WASHER φ12.9×φ24×2.5	*		4
32	8115404	BEARING, JOURNAL	*		2
33	8145001	BUSHING	*		2
34	1021840	HEX BOLT M8 ×40	*		2
35	1211325	SCREW M3×25			2

# PARTS LIST

## FRAME & WHEEL GROUP (i20NB2.0)

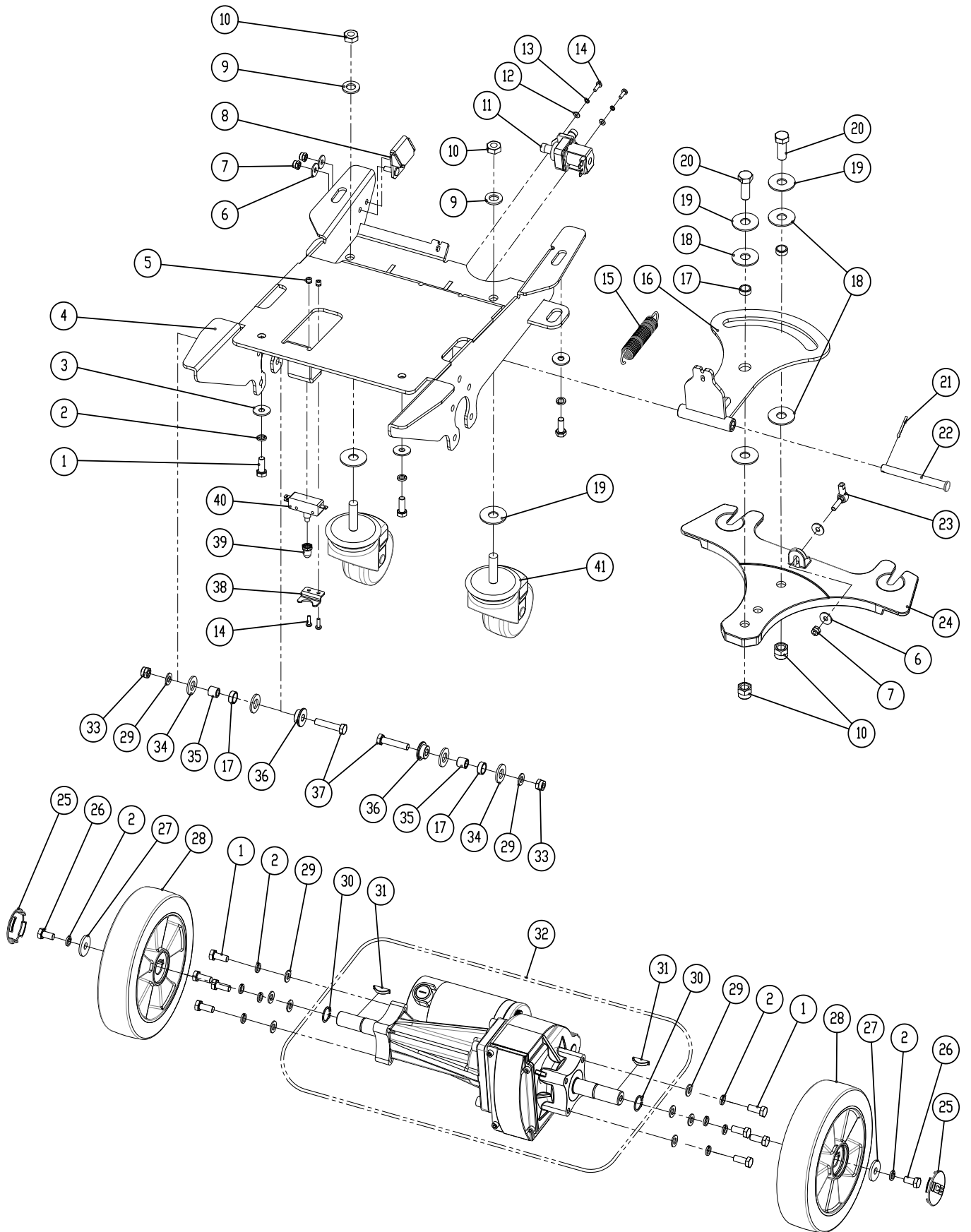
DIA NO.	PART NUMBER	DESCRIPTION	SERIAL NUMBER	MACHINE TYPE	NO REQ'D
36	1434300	LOCK WASHER, TOOTH, M3			2
37	8014071	MICRO SWITCH 20A	000433~	i20NB	1
38	8115500	CASTER, SWIVEL, 80MM			2
39	8115405	SLEEVE, P/M	000165~	i20NB	2

NOTES:

1、Parts marked \* in the serial number column have the same serial number switching time as the DIA NO "29".

# PARTS LIST

## FRAME & TRANSAXLE GROUP (i20NBT /i24BT1.0)



# PARTS LIST

## FRAME & TRANSAXLE GROUP (i20NBT/i24BT1.0)

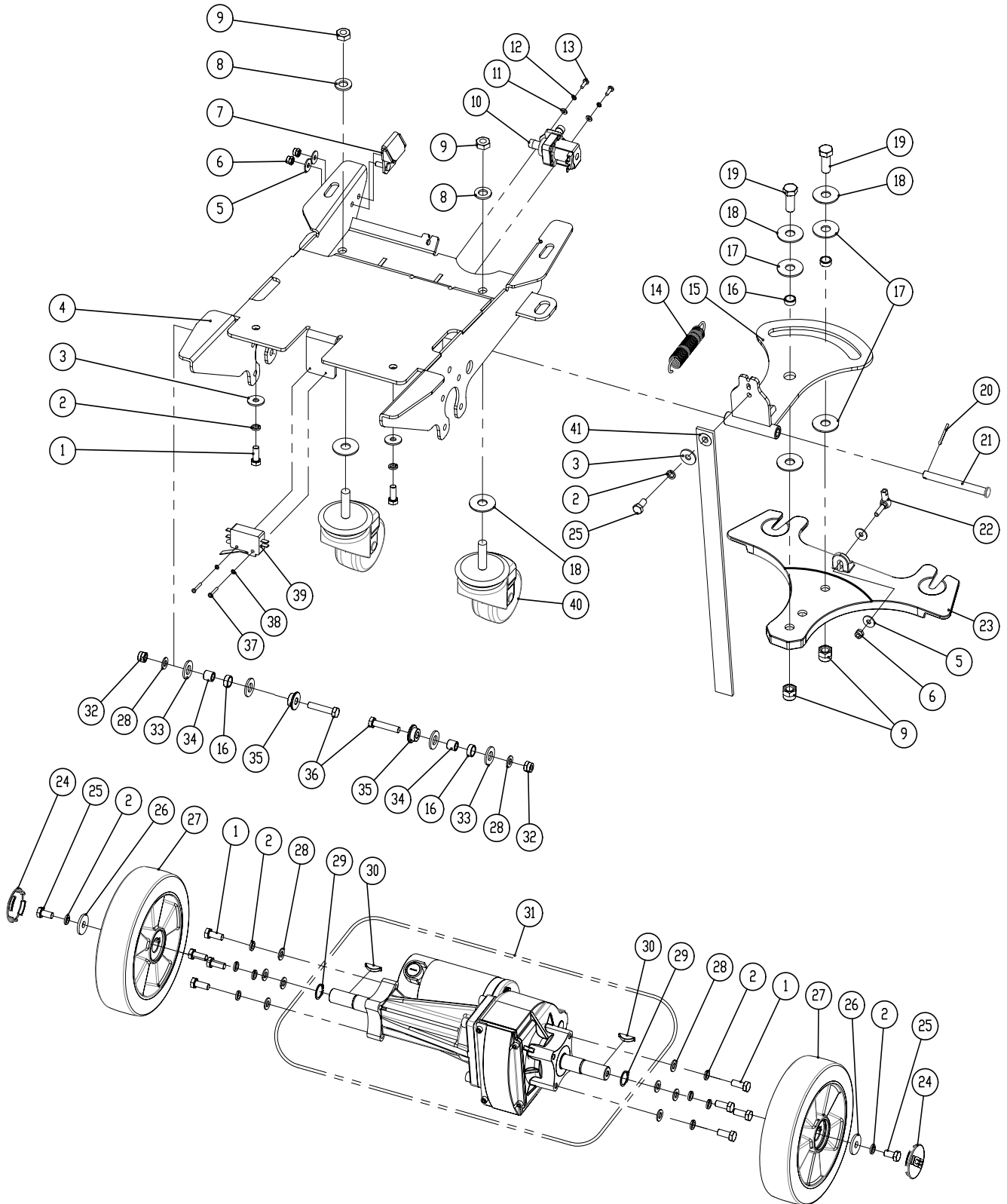
DIA NO.	PART NUMBER	DESCRIPTION	SERIAL NUMBER	MACHINE TYPE	NO REQ'D
1	1021820	HEX HEAD BOLT M8×20	000101~		12
2	1422821	LOCK WASHER M8	000101~		14
3	1421824	FLAT WASHER M8× ϕ 24×2	000101~		4
4	8145100	MAIN FRAME	000187~	i20NBT	1
			000101~	i20NBT-OB	
			000139~	i24BT	
5	1123406	LOCK NUT M4	000101~		2
6	1421618	FLAT WASHER M6× ϕ 18×1.6	000101~		4
7	1123608	LOCK NUT M6	000101~		3
8	8115300	BRACKET, PEDAL LOCKING	000101~		1
9	1421124	FLAT WASHER M12× ϕ 24×2.5	000101~		4
10	1123115	LOCK NUT M12	000101~		4
11	8119003	SOLENOID VALVE, 24VDC	000187~	i20NBT	1
			000101~	i20NBT-OB	
			000139~	i24BT	
12	1421409	FLAT WASHER M4× ϕ 9×0.8	000101~		2
13	1422411	LOCK WASHER M4	000101~		2
14	1221412	PAN HEAD SCREW M4×12	000101~		4
15	8115004	SPIRNG	000101~		1
16	8135010	BRACKET, SQGE LIFT	000101~		1
17	8115405	SLEEVE, P/M	000101~		4
18	8135001	PLASTIC THRUST WASHER M12× ϕ 30×1.5	000101~		4
19	1421132	FLAT WASHER M12× ϕ 32×1.5	000101~		4
20	1021230	HEX HEAD BOLT M12 ×30	000101~		2
21	1645324	COTTER 3.2 ×24	000101~		1
22	8115003	PIN	000101~		1
23	8114511	BALL JOINT M6	000101~		1
24	8115001	BRACKET, SQGE MNTG	000101~		1
25	8115203	COVER, WHEEL	000101~		2
26	1021816	HEX HEAD BOLT M8×16	000101~		2
27	1421828	FLAT WASHER M8× ϕ 28×3	000101~		2
28	8125200	WHEEL, 8 INCH	000187~	i20NBT	2
			000101~	i20NBT-OB	
			000139~	i24BT	
29	1421816	FLAT WASHER M8× ϕ 16×1.6	000101~		10
30	1436019	RETAINING RING 19	000101~		2
31	8125403	WOODRUFF KEY	000101~		2
32	8125410	TRANSAXLE, KIT	000187~101887 102107~	i20NBT	1
			000101~100808 100955~	i20NBT-OB	
			000139~100846 100942~	i24BT	
	8116011	CARBON BRUSH, DRIVE MOTOR			2
33	1123810	LOCK NUT M8	000101~		2
34	8117007	NYLON WASHER ϕ 12.9× ϕ 24×2.5	000101~		4
35	8115404	BEARING, JOURNAL	000101~		2
36	8145001	BUSHING	000101~		2

**PARTS LIST**

**FRAME & TRANSAXLE GROUP (i20NBT/i24BT1.0)**

<b>DIA NO.</b>	<b>PART NUMBER</b>	<b>DESCRIPTION</b>	<b>SERIAL NUMBER</b>	<b>MACHINE TYPE</b>	<b>NO REQ'D</b>
37	1021840	HEX HEAD BOLT M8 ×40	000101~		2
38	8115009	BRACKET	000187~	I20NBT	1
			000101~	i20NBT-OB	
			000139~	i24BT	
39	8115008	CAP, MICRO SWITCH, 3/8	000187~000279	I20NBT	1
			000101~000222	i20NBT-OB	
			000139~000490	i24BT	
40	8115007	MICRO SWITCH 25A	000187~000394	I20NBT	1
			000101~000170	i20NBT-OB	
			000139~No record	i24BT	
41	8115500	CASTER, SWIVEL, 80MM	000101~		2

FRAME & TRANSAXLE GROUP (i20NBT /i24BT2.0)





# PARTS LIST

## FRAME & TRANSAXLE GROUP (i20NBT /i24BT2.0)

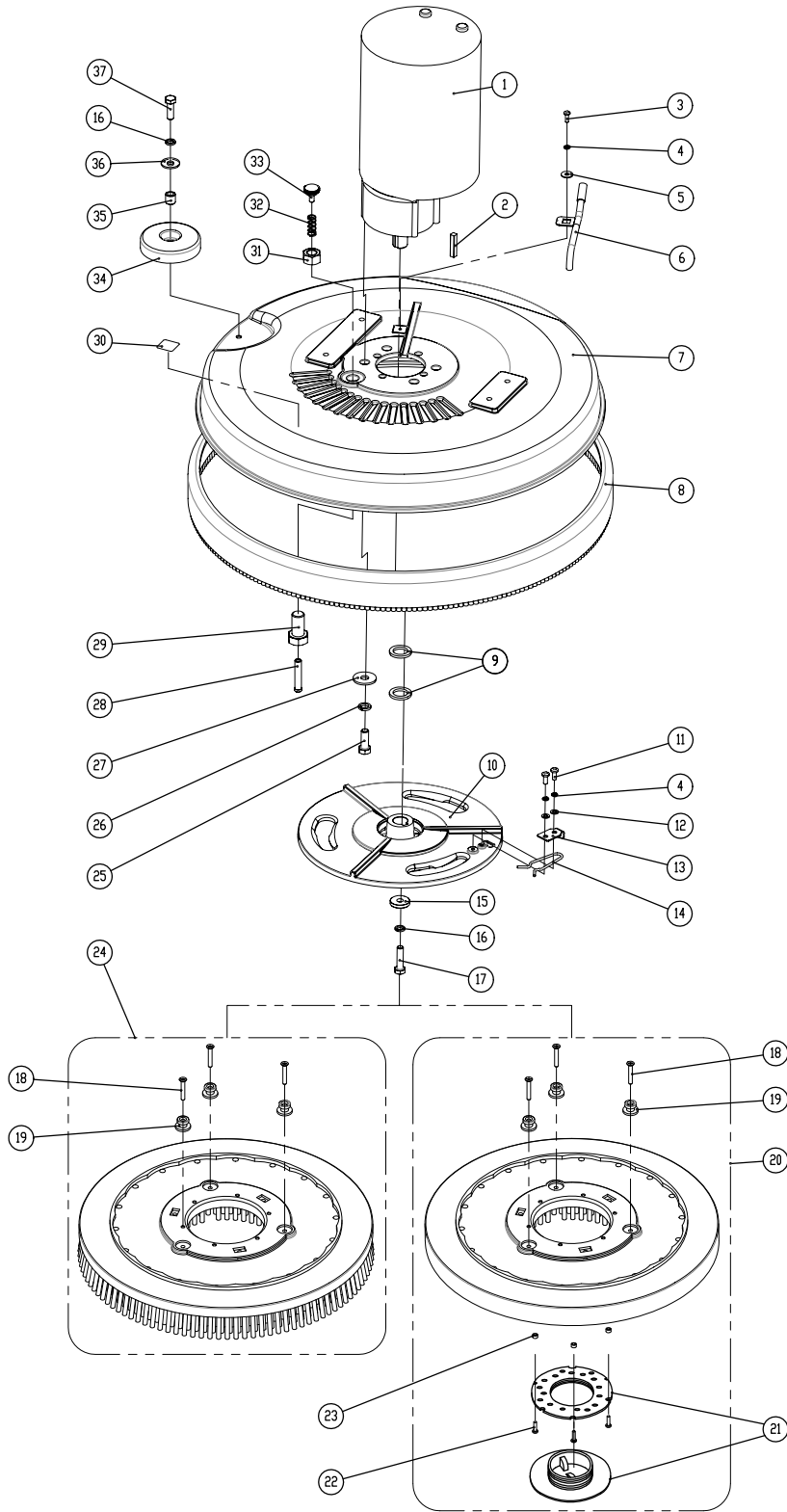
DIA NO.	PART NUMBER	DESCRIPTION	SERIAL NUMBER	MACHINE TYPE	NO REQ'D
1	1021820	HEX BOLT M8×20			12
2	1422821	LOCK WASHER M8			15
3	1421824	FLAT WASHER M8×φ24×2			5
4	8145100	MAIN FRAME	000187~	I20NBT	1
			000101~	i20NBT-OB	
			000139~	i24BT	
5	1421618	FLAT WASHER M6×φ18×1.6			4
6	1123608	LOCK NUT M6			3
7	8115300	BRACKET, PEDAL LOCKING			1
8	1421124	FLAT WASHER M12×φ24×2.5			4
9	1123115	LOCK NUT M12			4
10	8119003	SOLENOID VALVE, 24VDC	000187~	I20NBT	1
			000101~	i20NBT-OB	
			000139~	i24BT	
11	1421409	FLAT WASHER M4×φ9×0.8			2
12	1422411	LOCK WASHER M4			2
13	1221412	SCREW M4×12			4
14	8115004	SPIRNG			1
15	8135010	BRACKET, SQGE LIFT			1
16	8115005	AXLE SLEEVE			2
17	8135001	PLASTIC THRUST WASHER M12×φ30×1.5			4
18	1421132	FLAT WASHER M12×φ32×1.5			4
19	1021230	HEX BOLT M12 ×30			2
20	1645324	COTTER 3.2 ×24			1
21	8115003	PIN			1
22	8114511	BALL JOINT M6			1
23	8115001	BRACKET, SQGE MNTG			1
24	8115203	COVER, WHEEL			2
25	1021816	HEX BOLT M8×16			3
26	1421828	FLAT WASHER M8×φ28×3			2
27	8125200	WHEEL, 8 INCH	000187~	I20NBT	2
			000101~	i20NBT-OB	
			000139~	i24BT	
28	1421816	FLAT WASHER M8×φ16×1.6			10
29	1436019	RETAINING RING 19			2
30	8125403	WOODRUFF KEY			2
31	8125410	TRANSAXLE, KIT	000187~101887 102107~	I20NBT	1
			000101~100808 100955~	i20NBT-OB	
			000139~100846 100942~	i24BT	
	8125403	SEMICIRCULAR FLAT KEY			2
	8116011	CARBON BRUSH, DRIVE MOTOR			2

# PARTS LIST

## FRAME & TRANSAXLE GROUP (i20NBT /i24BT2.0)

DIA NO.	PART NUMBER	DESCRIPTION	SERIAL NUMBER	MACHINE TYPE	NO REQ'D
31	8125408	TRANSAXLE, KIT	101888~102106	I20NBT	1
			100809~100954	i20NBT-OB	
			100847~100941	i24BT	
	8125409	FLAT KEY			2
	8116111	CARBON BRUSH, DRIVE MOTOR			2
32	1123810	LOCK NUT M8			10
33	8117007	NYLON WASHER $\phi 12.9 \times \phi 24 \times 2.5$			4
34	8115404	BEARING, JOURNAL			2
35	8145001	BUSHING			2
36	1021840	HEX BOLT M8 x40			2
37	1211325	SCREW M3x25			2
38	1434300	LOCK WASHER, TOOTH, M3			2
39	8014071	MICRO SWITCH 20A	000404~	I20NBT	1
			000171~	i20NBT-OB	
			000272~	i24BT	
40	8115500	CASTER, SWIVEL, 80MM			2
41	8115405	SLEEVE,PM	000187~	I20NBT	2
			000101~	i20NBT-OB	
			000139~	i24BT	

**SCRUB HEAD GROUP (i20NB / i20NBT)**



# PARTS LIST

## SCRUB HEAD GROUP (i20NB / i20NBT)

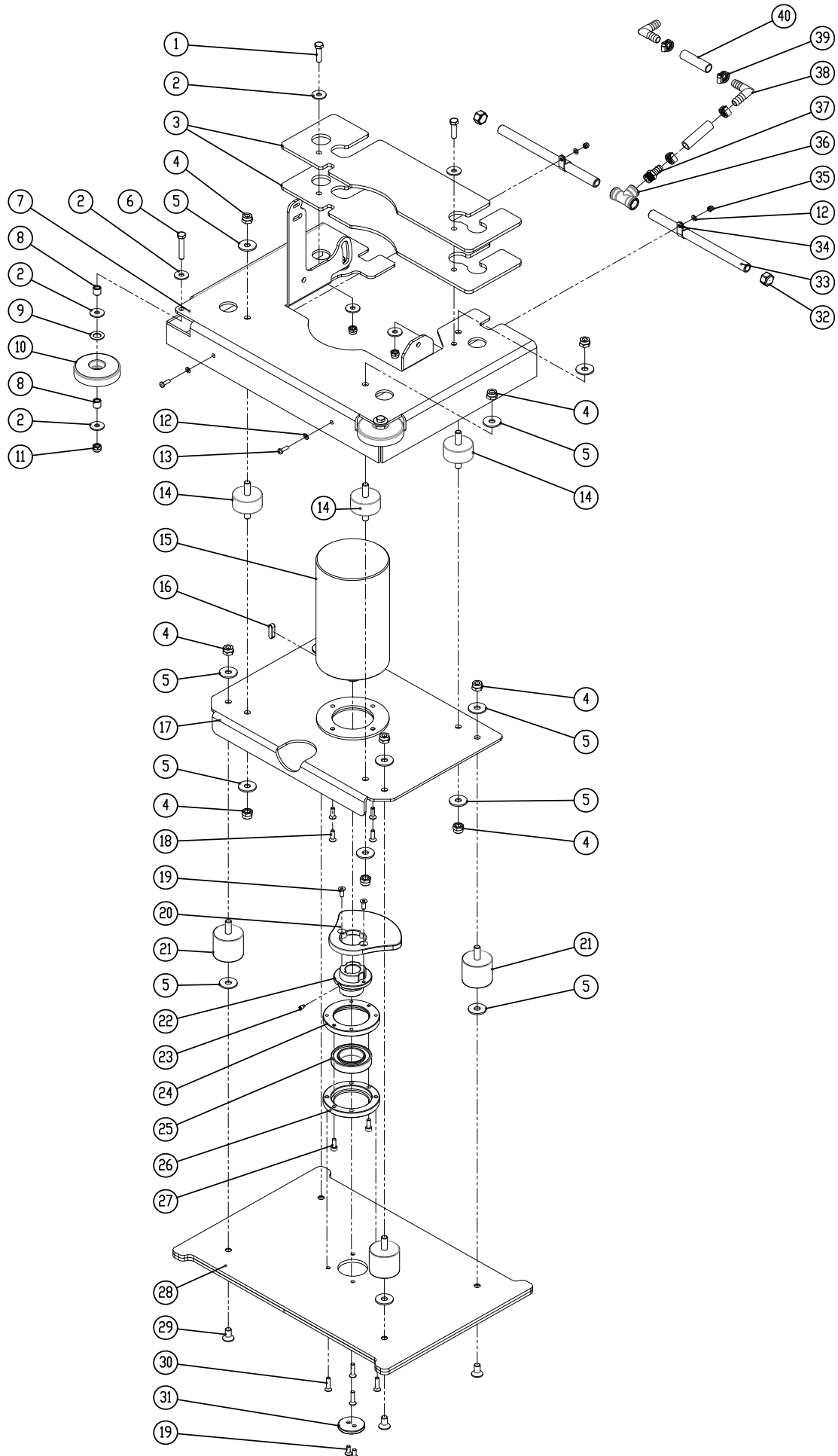
DIA NO.	PART NUMBER	DESCRIPTION	SERIAL NUMBER	MACHINE TYPE	NO REQ'D
1	8116200	BRUSH MOTOR, 24VDC 1.0HP, KIT	000101~		1
	8116007	BRUSH MOTOR CARBON BRUSH	000101~		2
2	1656432	KEY	No record	I20NB	1
			No record	I20NBT	
	000985~		I20NB		
	000831~		I20NBT		
3	1221412	SCREW M4×12	000101~		1
4	1422513	LOCK WASHER M5	000101~		3
5	1421518	FLAT WASHER M5×φ18×2	000101~		1
6	8116100	WATER SUPPLY TUBE	000101~		1
7	8116006	SCRUB HEAD HOUSING	000101~		1
8	8116020	BUMPER, SCRUB HEAD	000101~		1
9	8116001	SPACER	000101~		2
10	8116008	HUB, DRIVE, 3 LUG	000101~		1
11	1221512	SCREW M5×12	000101~		2
12	1421510	FLAT WASHER M5×φ10×1	000101~		2
13	8116002	BRUSH CLAMP PLATE	000101~		1
14	8116003	SPRING CLIP	000101~		1
15	8116010	FLAT WASHER φ8.5×φ25.4×4.5	000101~		1
16	1422821	LOCK WASHER M8	000101~		2
17	1023815	HEX BOLT 5/16-18 ×1.5" UNC	000101~		1
18	1222635	SCREW, M6X35	000101~		6
19	8116030	STUD	000101~		6
20	9040019	19" PAD DRIVER	000101~		1
	9040019K	19" PAD DRIVER (OPTION)	000101~		1
21	9000001	BIG MOUTH	000101~		1
	9000003	CENTER-LOK 3 (OPTION)	000101~		1
22	1321325	SELF-TAPPING SCREW, ST4.8X25	000101~		3
23	8116040	SPACER	000101~		3
24	9050020	20" BRUSH, 0.7mm PP BRISTLE (OPTION)	000101~		1
	9050020E	20" BRUSH, 0.5mm PP BRISTLE (OPTION)	000101~		1
	9050020P	20" BRUSH, SOFT-WHITE (OPTION)	000101~		
25	1023010	HEX BOLT 3/8-16 ×1" UNC	000101~		4
26	1422026	LOCK WASHER M10	000101~		4
27	1421030	FLAT WASHER M10×φ30×2.5	000101~		4
28	8116202	PIN	000101~		1
29	8116205	SCREW M14 × 20	000101~		1
30	8111023	WARNING LABEL	000101~		1
31	1121913	HEX NUT M14	000101~		1
32	8116204	SRPING	000101~		1
33	8116210	KNOB M6	000101~		1
34	8116009	PROTECTIVE WHEEL	000101~		1

## PARTS LIST

### SCRUB HEAD GROUP (i20NB / i20NBT)

DIA NO.	PART NUMBER	DESCRIPTION	SERIAL NUMBER	MACHINE TYPE	NO REQ'D
35	8115404	SLEEVE, P/M	000101~		1
36	1421824	FLAT WASHER M8× $\phi$ 24×2.0	000101~		1
37	1021825	HEX BOLT M8×25	000101~		1

**SCRUB HEAD GROUP (i20NBT-OB1.0)**

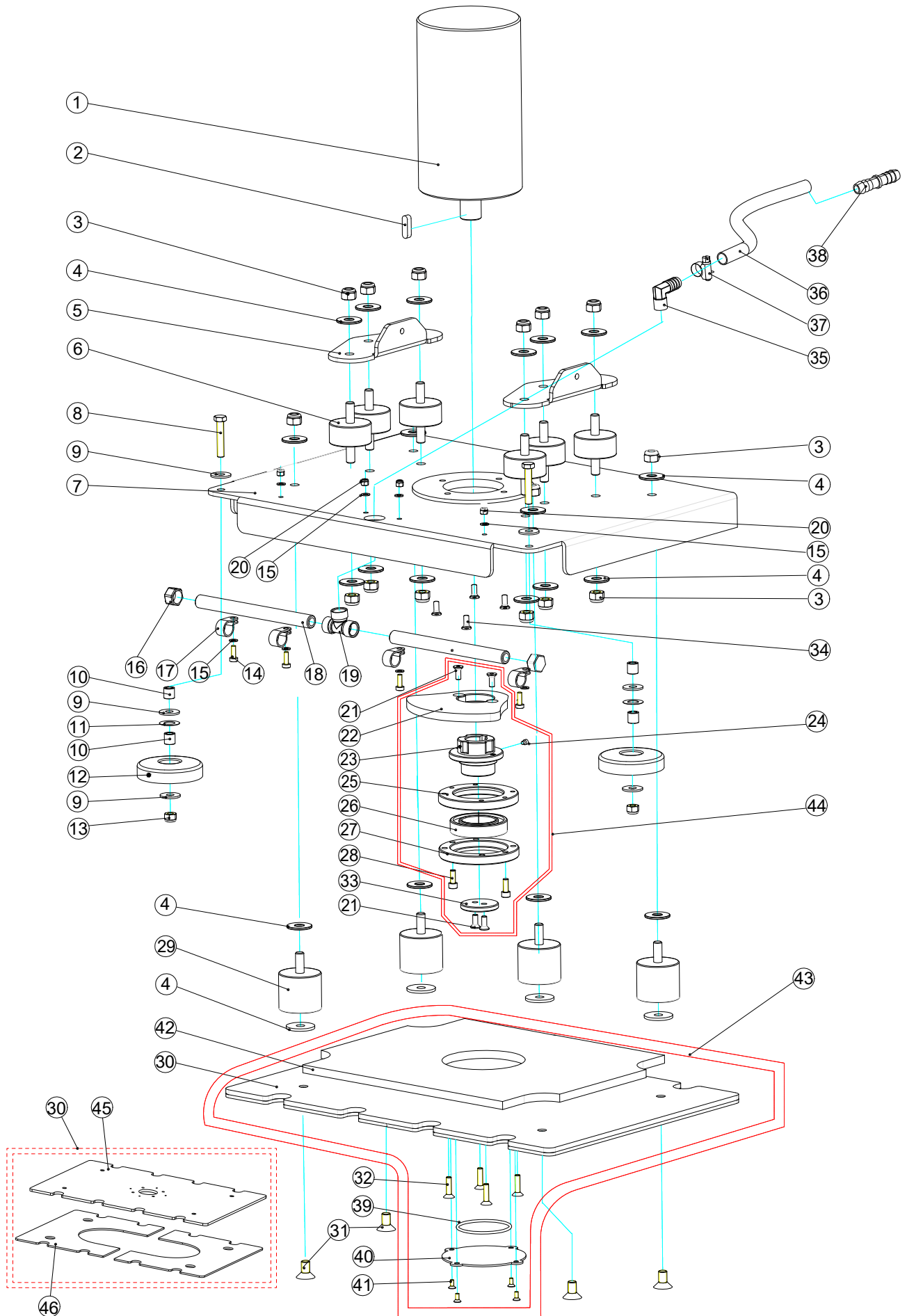


## PARTS LIST

### ORBITAL HEAD GROUP (i20NBT-OB1.0)

DIA NO.	PART NUMBER	DESCRIPTION	SERIAL NUMBER	MACHINE TYPE	NO REQ'D
1	1021830	HEX BOLT M8×30	000101~		2
2	1421824	FLAT WASHER M8× $\phi$ 24×2.0	000101~		10
3	8146106	BLOCK, WEIGHT	000101~000130	i20NBT-OB	2
4	1123012	LOCK NUT, M10	000101~		12
5	1421030	FLAT WASHER M10× $\phi$ 30×2.5	000101~		16
6	1022845	HEX BOLT M8×45	000101~		2
7	8146101	BRACKET, ORBITAL HEAD	000101~000288	i20NBT-OB	1
8	8115404	BEARING, JOURNAL	000101~		4
9	1435013	WAVE WASHER	000101~		2
10	8116009	PROTECTIVE WHEEL	000101~		2
11	1123810	LOCK NUT, M8	000101~		4
12	1421510	FLAT WASHER M5× $\phi$ 10×1.0	000101~		4
13	1221515	SCREW M5×15	000101~		2
14	8146116	ISOLATORS, M10×25	000101~		4
15	8146199	MOTOR, 24VDC 550W 2200RPM, KIT	000101~		1
16	8146110	KEY, 8×7×28	000101~		1
17	8146102	BRACKET, MOTOR MOUNTING	000101~000288	i20NBT-OB	1
18	1513620	HEX SOCKET SCREW, M6×20	000101~		4
19	1513616	HEX SOCKET SCREW, M6×16	000101~		4
20	8146202	ECCENTRIC	000101~		1
21	8146107	ISOLATORS, M10×25	000101~		4
22	8146201	ECCENTRIC SHAFT	000101~		1
23	1535610	SET SCREW, M6×10	000101~		1
24	8146204	BEARING HOUSING	000101~		1
25	1612608	BALL BEARING 6008	000101~		1
26	8146203	BEARING HOUSING	000101~		1
27	1521616	HEX SOCKET BOLT M6×16	000101~		2
28	8146103	PAD DRIVER	000101~		1
29	1513020	HEX SOCKET SCREW, M10×20	000101~		4
30	1513625	HEX SOCKET SCREW, M6×25	000101~		4
31	8146205	PLATE	000101~		1
32	8146303	END CAP 3/8	000101~		2
33	8146302	PVC TUBING	000101~		2
34	8146305	PLASTIC CLAMP	000101~		2
35	1123507	LOCK NUT M5	000101~		2
36	8146301	TEE FITTING 3/8	000101~		1
37	8013007	TUBING FITTING	000101~		1
38	8119002	ELBOW, TUBING BARB	000101~101019	i20NBT-OB	2
39	1962016	CLAMP	000101~101019	i20NBT-OB	4
40	8146320	TUBING, ID=12mm, l=60mm	000101~101019	i20NBT-OB	2

**ORBITAL HEAD GROUP (i20NBT-OB2.0)**





## PARTS LIST

### ORBITAL HEAD GROUP (i20NBT-OB2.0)

DIA NO.	PART NUMBER	DESCRIPTION	SERIAL NUMBER	MACHINE TYPE	NO REQ'D
1	8146199	MOTOR, 24VDC 550W 2200RPM, KIT	000101~	i20NBT-OB	1
	8146198	CARBON BRUSH, MOTOR			2
2	8146110	KEY, 8×7×28			1
3	1123012	LOCK NUT, M10			16
4	1421030	FLAT WASHER M10×φ30×2.5			24
5	8146520	MOUNTING BRACKET, ORBITAL HEAD	000294~	i20NBT-OB	2
6	8146116	ISOLATORS, M10×25			6
7	8146501	BRACKET, MOTOR MOUNTING	000294~	i20NBT-OB	1
8	1022845	HEX BOLT M8×45			2
9	1421824	FLAT WASHER M8×φ24×2.0			6
10	8115404	BEARING, JOURNAL			4
11	1435013	WAVE WASHER			2
12	8116009	PROTECTIVE WHEEL			2
13	1123808	STOVER NUT, M8			2
14	1221515	SCREW M5×15			4
15	1421510	FLAT WASHER M5×φ10×1.0			8
16	8146303	END CAP 3/8			2
17	8146305	PLASTIC CLAMP			4
18	8146508	PVC TUBING	000294~	i20NBT-OB	2
19	8146301	TEE FITTING 3/8			1
20	1123507	LOCK NUT M5			4
21	1513616	HEX SOCKET SCREW, M6×16			4
22	8146202	ECCENTRIC			1
23	8146201	ECCENTRIC SHAFT			1
24	1535610	SET SCREW, M6×10			1
25	8146204	BEARING HOUSING			1
26	1612608	BALL BEAING 6008			1
27	8146203	BEARING HOUSING			1
28	1521616	HEX SOCKET BOLT M6×16			2
29	8146107	ISOLATORS, M10×25			4
30	8146502	PAD DRIVER	000294~	i20NBT-OB	1
31	1513020	HEX SOCKET SCREW, M10×20			4
32	1513625	HEX SOCKET SCREW, M6×25			4
33	8146205	PLATE			1
34	1513620	HEX SOCKET SCREW, M6×20			4
35	8146511	ELBOW, 3/8	000294~	i20NBT-OB	1
36	8146512	TUBING, WIRE REINFORCED			1
37	1962016	CLAMP, HOSE 3/8"			1
38	8119012	COUPLER	000121~	i20NBT-OB	1
39	1623660	O RING,3.0*60mm			1
40	8146208	SEALING CAP	100776~	i20NBT-OB	1
41	1222410	SCREW M4x10			4
42	8146209	PAD	100776~	i20NBT-OB	1

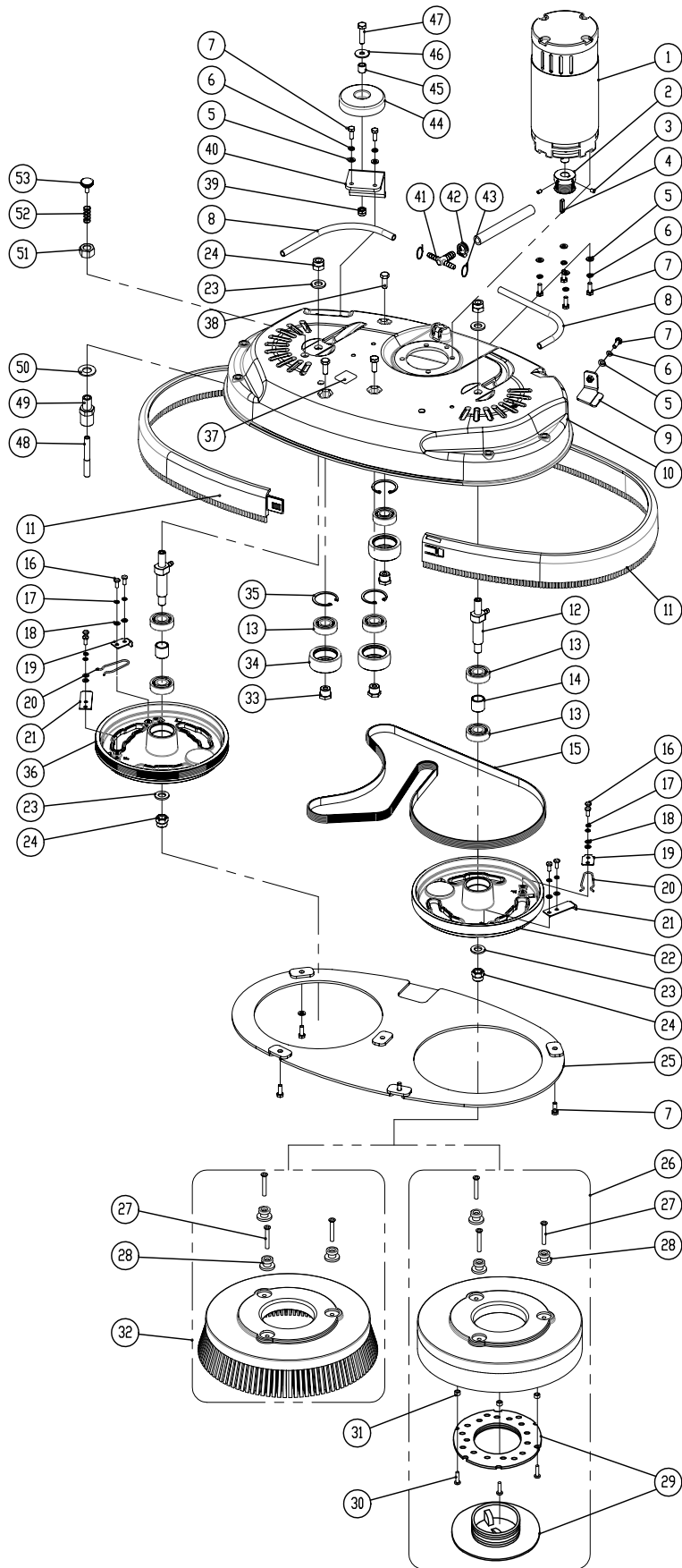
## **PARTS LIST**

---

### **ORBITAL HEAD GROUP (i20NBT-OB2.0)**

<b>DIA NO.</b>	<b>PART NUMBER</b>	<b>DESCRIPTION</b>	<b>SERIAL NUMBER</b>	<b>MACHINE TYPE</b>	<b>NO REQ'D</b>
43	8146210	VIBRATION PLATE UPDATE KIT, INCLUDE 8146501			1
44	8146200	ECCENTRIC SHAFT KIT			1
45	8146503	WORK TRAY	000294~	i20NBT-OB	1
46	8146504	REPLACEMENT GRIP FACE	000294~	i20NBT-OB	2

**SCRUB HEAD GROUP (i24BT)**



# PARTS LIST

## SCRUB HEAD GROUP (i24BT)

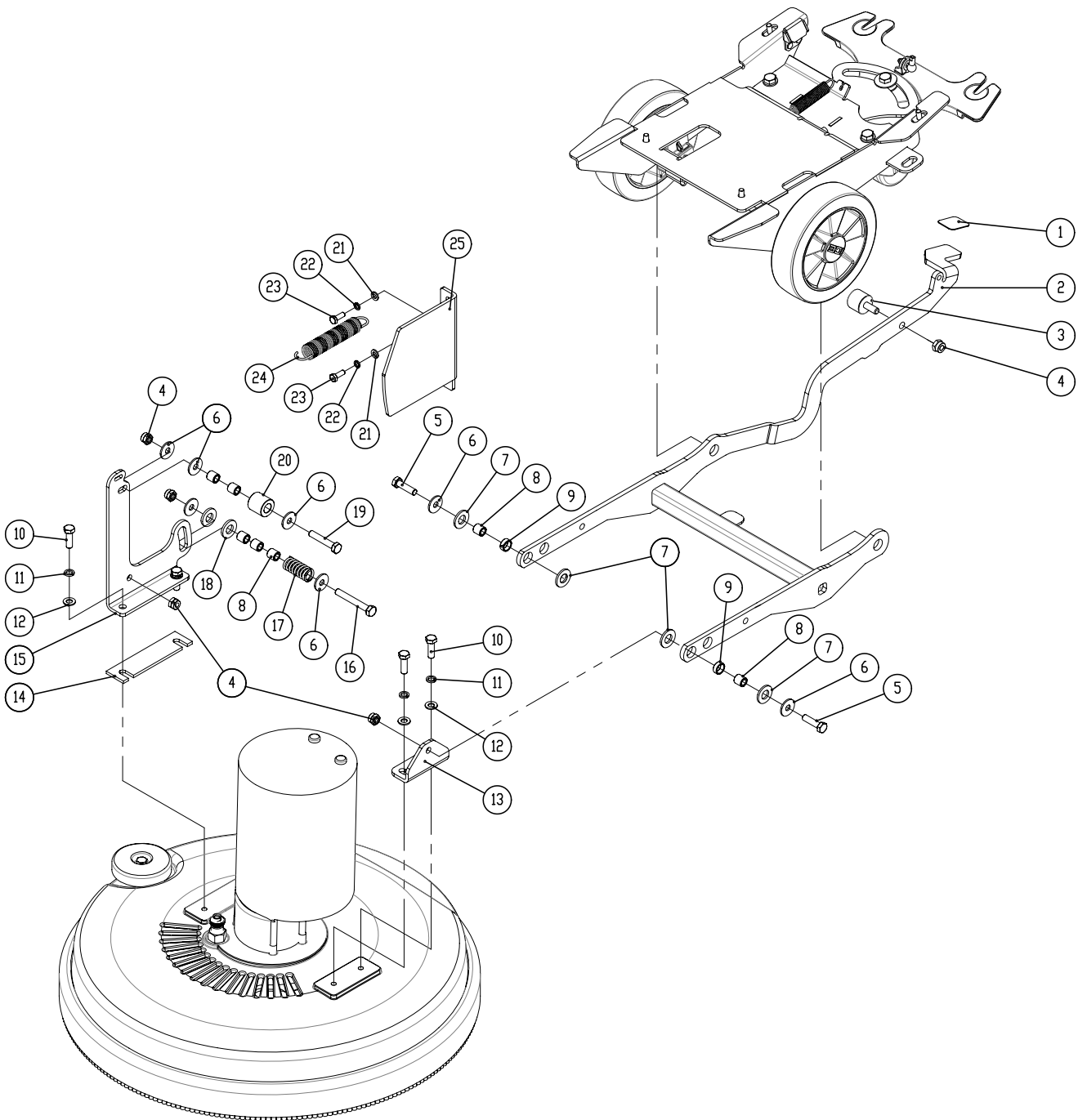
DIA NO.	PART NUMBER	DESCRIPTION	SERIAL NUMBER	MACHINE TYPE	NO REQ'D
1	8126200	BRUSH MOTOR, 24VDC 680W 2000RPM, KIT	000139~	i24BT	1
	8126070	CARBON BRUSH, BRUSH MOTOR	000101~		2
2	8126006	SHEAVE, SS	000101~		1
3	1534508	SCREW, SET, M5X8	000101~		2
4	1655025	KEY, 5X5X25	000101~		1
5	1421612	FLAT WASHER M6× $\phi$ 12×1.6	000101~		7
6	1422616	LOCK WASHER, M6	000101~		7
7	1021616	HEX BOLT M6×16	000101~		12
8	8119301	TUBING, ID=6mm, L=250mm	000101~		2
9	8126007	BRACKET, GUIDE, BELT	000101~		1
10	8126002	SCRUB HEAD HOUSING	000101~		1
11	8126050	BUMPER, SCRUB HEAD	000101~		2
12	8126040	SHAFT, PULLY	000101~		2
13	1612203	BEARING, 6203RS	000101~		7
14	8126008	BUSHING	000101~		2
15	8126005	BELT, 6PJ1598	000101~		1
16	1221512	SCREW M5×12	000101~		8
17	1422513	LOCK WASHER M5	000101~		8
18	1421510	FLAT WASHER M5× $\phi$ 10×1	000101~		8
19	8116002	BRUSH CLAMP PLATE	000101~		2
20	8116003	SPRING CLIP	000101~		2
21	8126009	PLATE, CLAMP, BRUSH	000101~		2
22	8126004	HUB, DRIVER, 3LUG, PULLY	000101~		1
23	1421124	FLAT WASHER M12× $\phi$ 24×2.5	000101~		4
24	1123115	LOCK NUT M12	000101~		4
25	8126020	BRACKET, GUARD, SPLASH	000101~		1
26	9040011U	11" PAD DRIVER	000482~	i24BT	2
	9050012U	11" PAD DRIVER (OPTION)	000101~		2
27	1222635	SCREW, M6X35	000101~		12
28	8116030	STUD	000101~		12
29	9000001	BIG MOUTH	000101~		2
	9000003	CENTER-LOK 3 (OPTION)	000101~		2
30	1321325	SELF-TAPPING SCREW, ST4.8X25	000101~		6
31	8116040	SPACER	000101~		6
32	9050012	12" BRUSH (OPTION)	000101~		2
	9050012P-A	12" BRUSH, SOFT WHITE (OPTION)	000101~		2
33	8126032	SPACER, IDLER	000101~		3
34	8126031	PULLEY, IDLER	000101~		3
35	1437040	RING, RETAINING, 40	000101~		3
36	8126003	HUB, DRIVE, 3LUG, 6GRV	000101~		1
37	8111023	WARNING LABEL	000101~		1
38	1021820	HEX BOLT M8×20	000101~		3
39	1123810	LOCK NUT M8	000101~		1
40	8126012	BRACKET, WALL-ROLLER	000101~		1

# PARTS LIST

## SCRUB HEAD GROUP (i24BT)

DIA NO.	PART NUMBER	DESCRIPTION	SERIAL NUMBER	MACHINE TYPE	NO REQ'D
41	8119004	FITTING, PLASTIC, TEE	000101~		1
42	1962016	CLAMP, 10-16mm	000101~		1
43	1914300	TIE, NYLON, 5X300	000101~		2
44	8116009	PROTECTIVE WHEEL	000101~		1
45	8115404	SLEEVE, P/M	000101~		1
46	1421824	FLAT WASHER M8× $\phi$ 24×2.0	000101~		1
47	1021825	HEX BOLT M8×25	000101~		1
48	8126202	PIN	000101~		1
49	8126205	GUIDE, M14X20	000101~		1
50	1421428	FLAT WASHER M14× $\phi$ 28×2.0	000101~		1
51	1121913	NUT M14	000101~		1
52	8116204	SPRING	000101~		1
53	8116210	KNOB M6	000101~		1

**SCRUB HEAD LIFT GROUP (i20NB / i20NBT)**

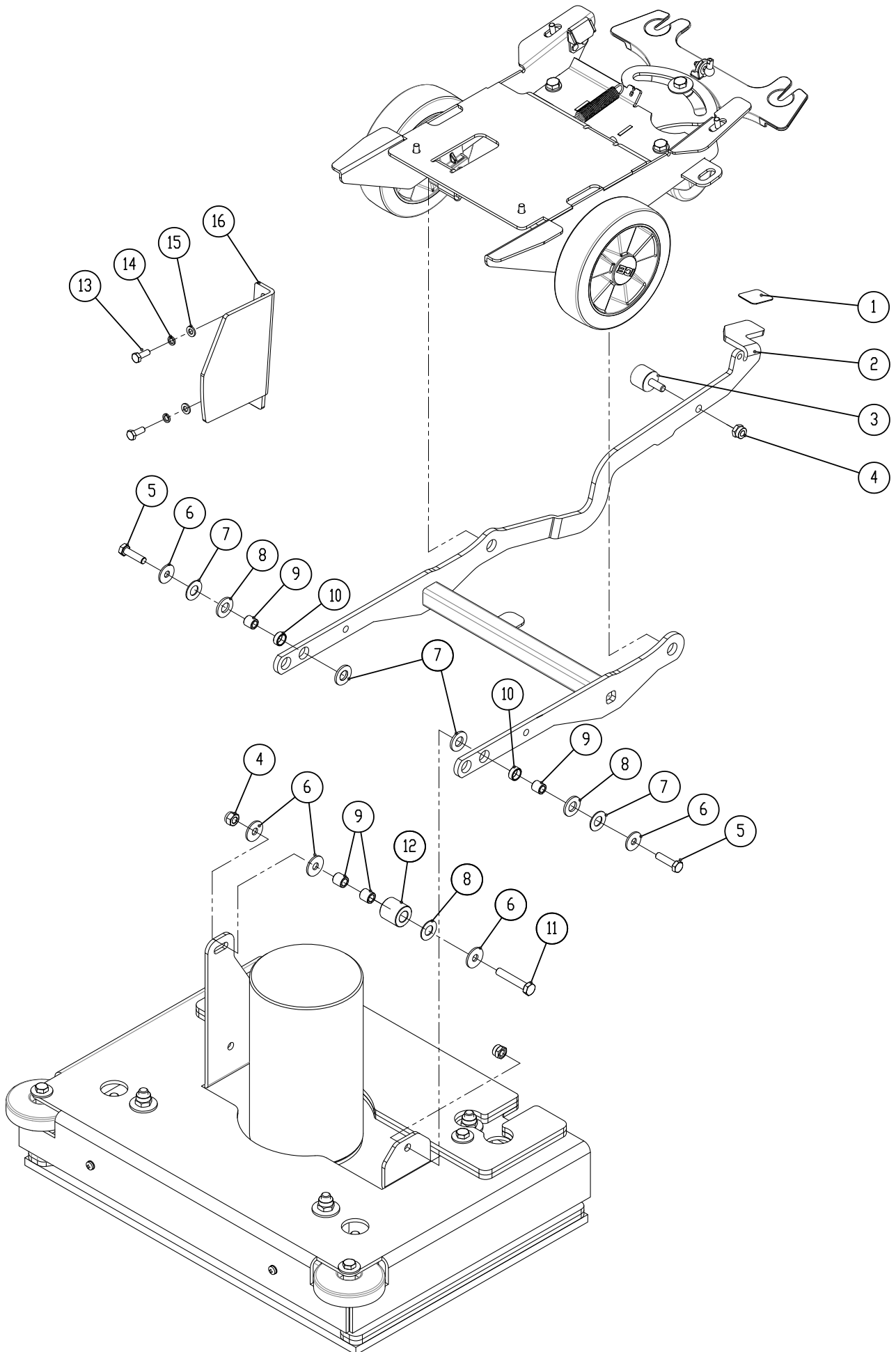


## PARTS LIST

### SCRUB HEAD LIFT GROUP (i20NB / i20NBT)

DIA NO.	PART NUMBER	DESCRIPTION	SERIAL NUMBER	MACHINE TYPE	NO REQ'D
1	8137006	NON-SLIP MAT	000101~		1
2	8137100	BRACKET, SCRUB HEAD LIFT	000101~		1
3	8133151	BUMPER	000528~	I20NB	1
			000459~	I20NBT	
4	1123810	LOCK NUT M8	000101~		5
5	1021830	HEX BOLT M8×30	000101~		2
6	1421824	FLAT WASHER M8×φ24×2	000101~		6
7	8117007	NYLON WASHER φ12.9×φ24×2.5	000101~		4
8	8115404	BEARING, JOURNAL	000101~		7
9	8115405	SLEEVE, P/M	000101~		2
10	1021825	HEX BOLT M8×25	000101~		4
11	1422821	LOCK WASHER M8	000101~		4
12	1421816	FLAT WASHER M8×φ16×1.6	000101~		4
13	8117002	LEFT BRACKET	000101~		1
14	8117005	SPACER(i20NB)	000101~		1
15	8117003	RIGHT BRACKET	000101~		1
16	1022860	HEX BOLT M8 ×60	000101~		1
17	8117008	SPRING	000101~		1
18	8113109	BEARING, THRUST	000101~		2
19	1022845	HEX BOLT M8 ×45	000101~		1
20	8117004	ROLLER	000101~		1
21	1421612	FLAT WASHER M6×φ12×1.6	000101~		2
22	1422616	LOCK WASHER M6	000101~		2
23	1021616	HEX BOLT M6 ×16	000101~		2
24	8117009	SPRING	000101~		1
25	8117001	BRACKET, GUIDE	000101~		1

**ORBITAL HEAD LIFT GROUP (i20NB-OB1.0)**

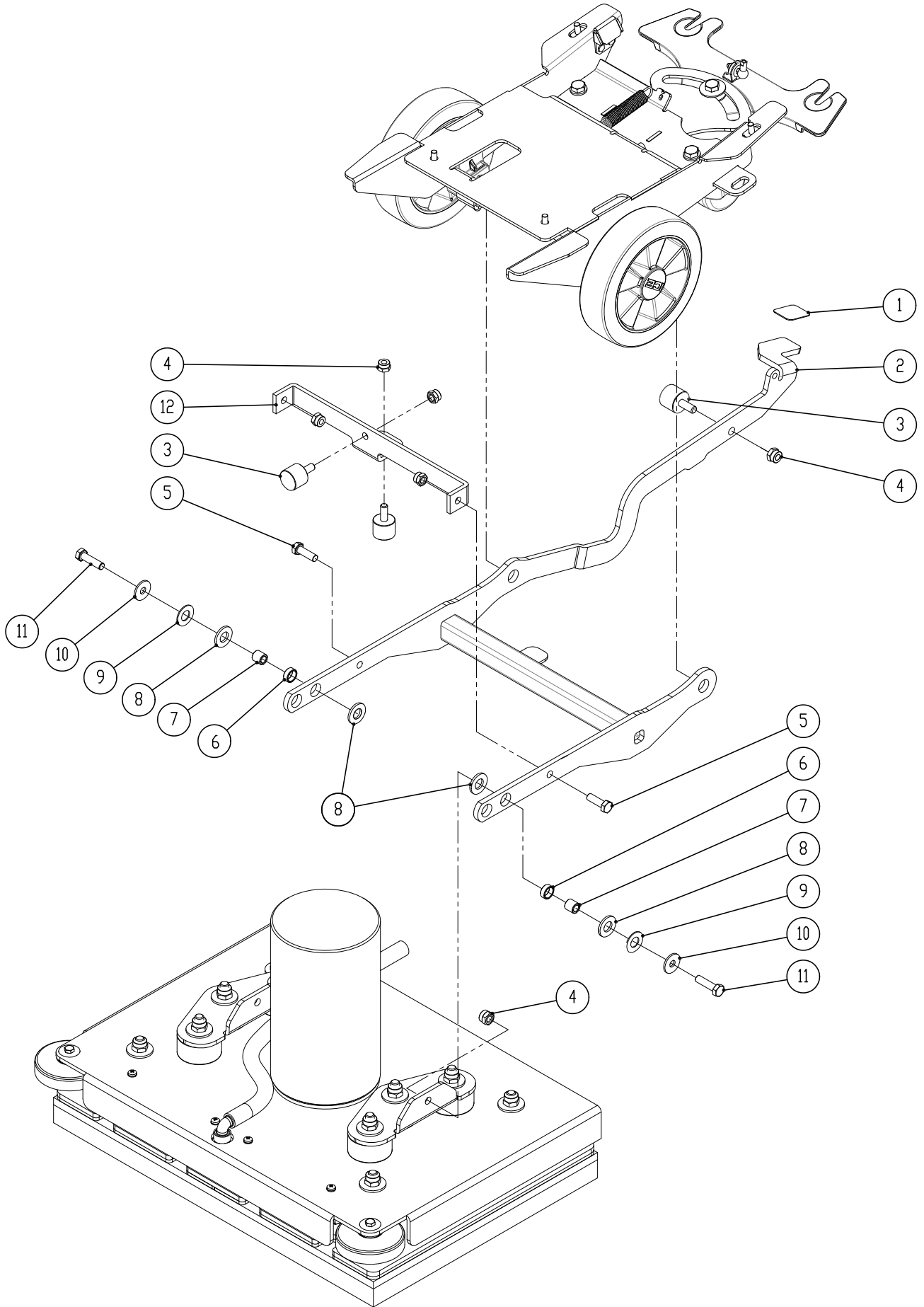




**PARTS LIST****ORBITAL HEAD LIFT GROUP (i20NBT-OB1.0)**

<b>DIA NO.</b>	<b>PART NUMBER</b>	<b>DESCRIPTION</b>	<b>SERIAL NUMBER</b>	<b>MACHINE TYPE</b>	<b>NO REQ'D</b>
1	8137006	NON-SLIP MAT	000101~		1
2	8137100	BRACKET, SCRUB HEAD LIFT	000101~		1
3	8133151	BUMPER	000171~	i20NBT-OB	1
4	1123810	LOCK NUT M8	000101~		5
5	1021830	HEX HEAD BOLT M8×30	000101~		2
6	1421824	FLAT WASHER M8× ϕ 24×2	000101~		8
7	8117007	N Y L O N W A S H E R ϕ 12.9× ϕ 24×2.5	000101~		4
8	1435013	WAVE WASHER	000101~		10
9	8115404	BEARING, JOURNAL	000101~		4
10	8115405	SLEEVE, P/M	000101~		2
11	1022845	HEX HEAD BOLT M8 ×45	000101~		1
12	8117004	ROLLER	000101~		1
13	1021616	HEX HEAD BOLT M6 ×16	000101~		2
14	1422616	LOCK WASHER M6	000101~		2
15	1421612	FLAT WASHER M6×ϕ12×1.6	000101~		2
16	8137010	BRACKET, GUIDE	000101~		1

**ORBITAL HEAD LIFT GROUP (i20NBT-OB2.0)**

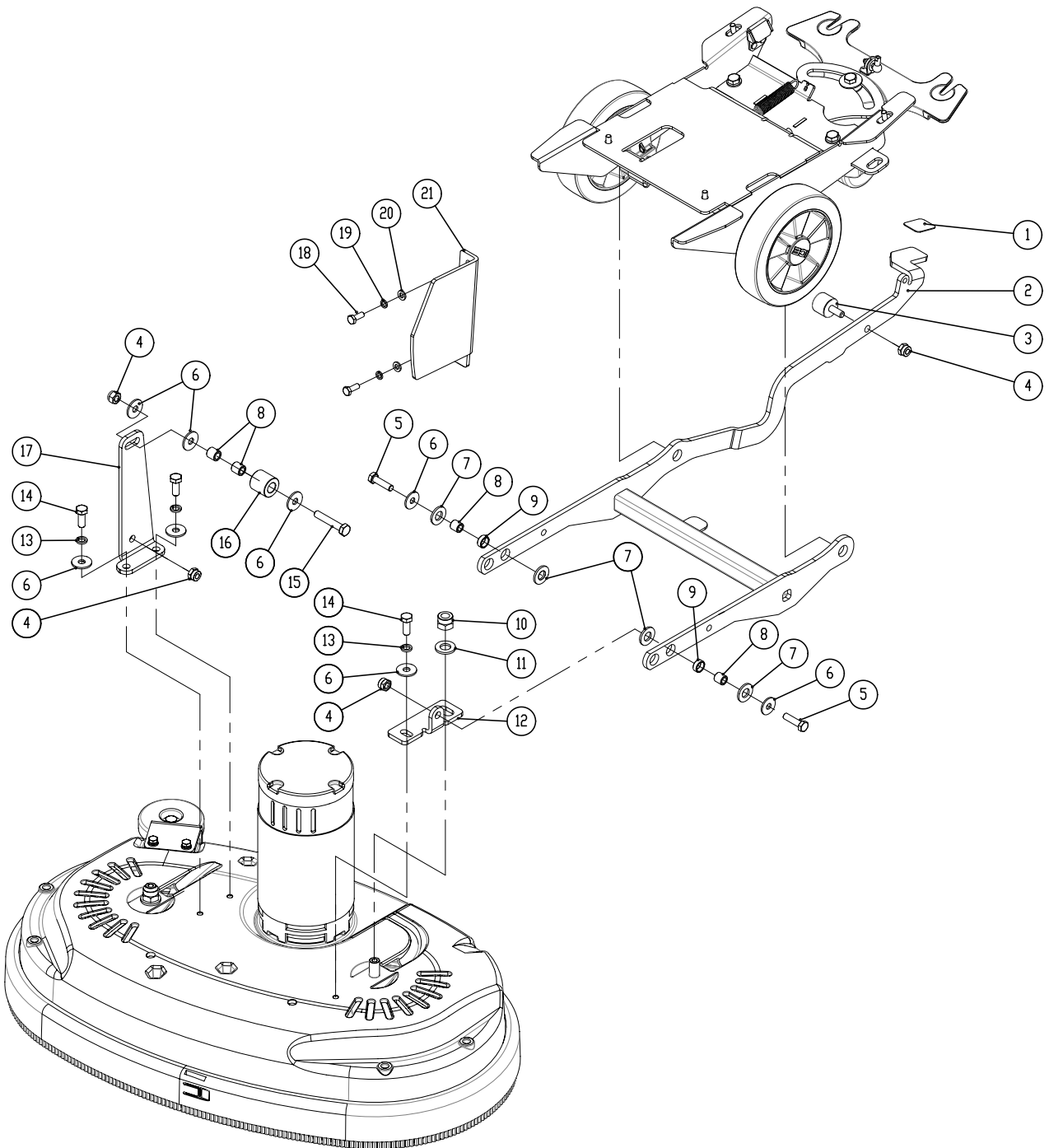


# PARTS LIST

## ORBITAL HEAD LIFT GROUP (i20NBT-OB2.0)

DIA NO.	PART NUMBER	DESCRIPTION	SERIAL NUMBER	MACHINE TYPE	NO REQ'D
1	8137006	NON-SLIP MAT			1
2	8137100	BRACKET, SCRUB HEAD LIFT			1
3	8133151	BUMPER	000171~	i20NBT-OB	3
4	1123808	STOVER NUT, M8			7
5	1021820	HEX HEAD BOLT M8×20			2
6	8115405	SLEEVE, P/M			2
7	8115404	BEARING, JOURNAL			2
8	8117007	NYLON WASHER $\phi 12.9 \times \phi 24 \times 2.5$			4
9	1435013	WAVE WASHER			4
10	1421824	FLAT WASHER M8× $\phi 24 \times 2$			2
11	1021830	HEX HEAD BOLT M8×30			2
12	8146530	BRACKET, ORBITAL HEAD LIFT	000294~	i20NBT-OB	1

**SCRUB HEAD LIFT GROUP (i24BT)**

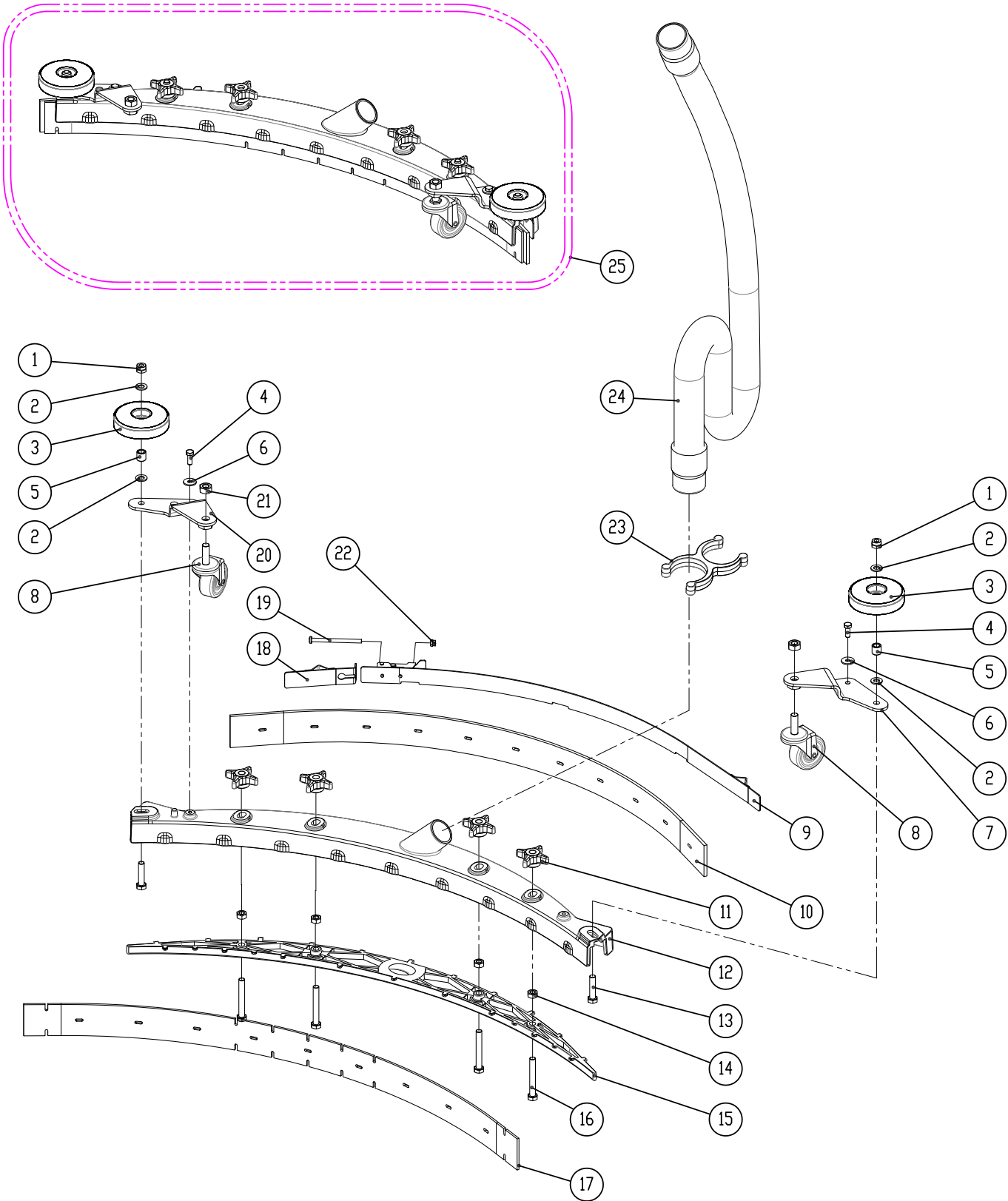


# PARTS LIST

## SCRUB HEAD LIFT GROUP (i24BT)

DIA NO.	PART NUMBER	DESCRIPTION	SERIAL NUMBER	MACHINE TYPE	NO REQ'D
1	8137006	NON-SLIP MAT	000101~		1
2	8137100	BRACKET, SCRUB HEAD LIFT	000101~		1
3	8133151	BUMPER	000287~	i24BT	1
4	1123810	LOCK NUT M8	000101~		5
5	1021830	HEX BOLT M8×30	000101~		2
6	1421824	FLAT WASHER M8× $\phi$ 24×2	000101~		8
7	8117007	NYLON WASHER $\phi$ 12.9× $\phi$ 24×2.5	000101~		4
8	8115404	BEARING, JOURNAL	000101~		4
9	8115405	SLEEVE, P/M	000101~		2
10	1123115	LOCK NUT M12	000101~		1
11	1421124	FLAT WASHER M12× $\phi$ 24×2.5	000101~		1
12	8126011	LEFT BRACKET	000101~		1
13	1422821	LOCK WASHER M8	000101~		3
14	1021820	HEX BOLT M8×20	000101~		3
15	1022845	HEX BOLT M8 ×45	000101~		1
16	8117004	ROLLER	000101~		1
17	8126010	RIGHT BRACKET	000101~		1
18	1021616	HEX BOLT M6 ×16	000101~		2
19	1422616	LOCK WASHER M6	000101~		2
20	1421612	FLAT WASHER M6× $\phi$ 12×1.6	000101~		2
21	8137001	BRACKET, GUIDE	000101~		1

SQUEEGEE GROUP (1.0)



# PARTS LIST

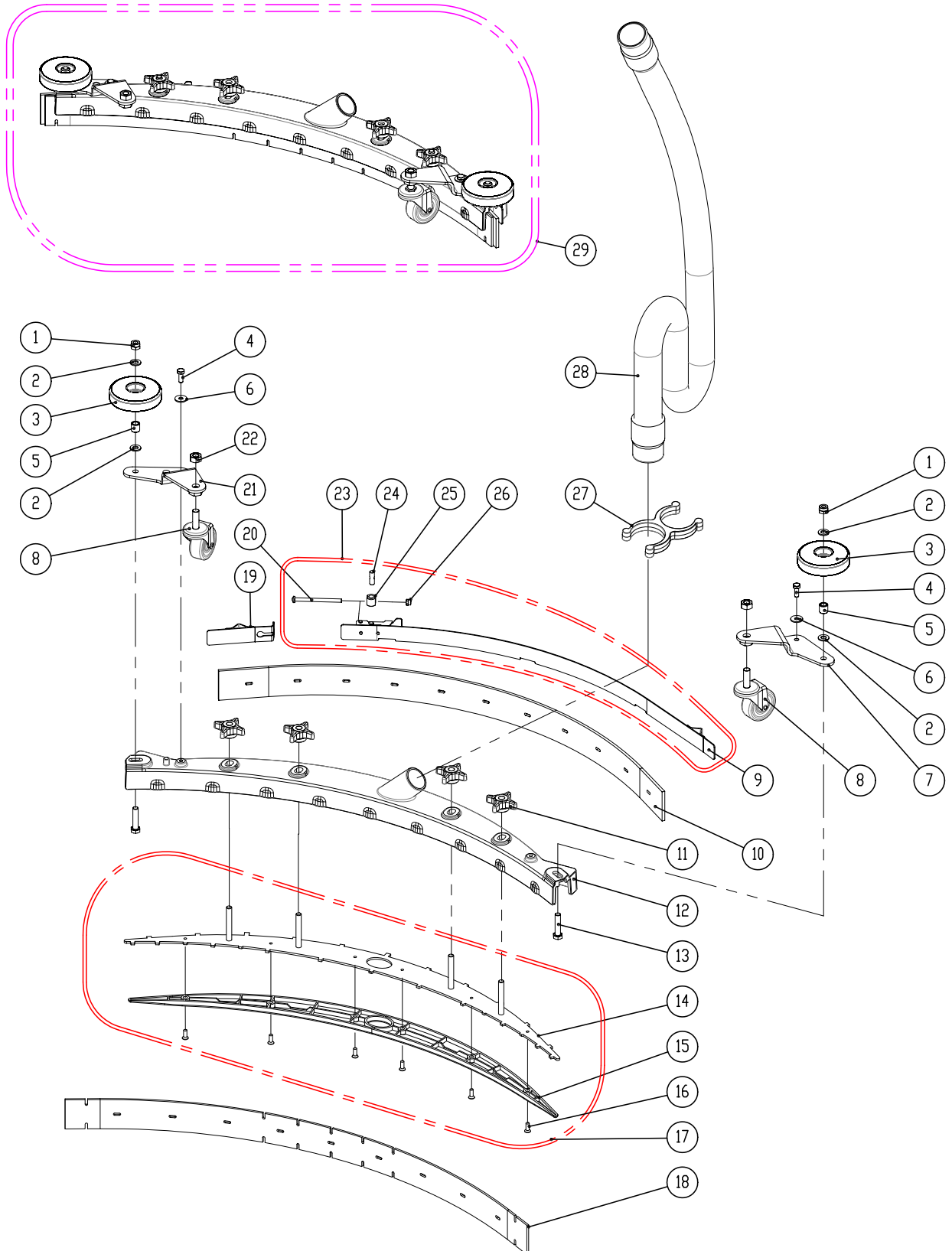
## SQUEEGEE GROUP (1.0)

DIA NO.	PART NUMBER	DESCRIPTION	SERIAL NUMBER	MACHINE TYPE	NO REQ'D
1	1123810	LOCK NUT M8	000101~		2
2	1421824	FLAT WASHER M8×φ24×2.0	000101~		4
3	8116009	PROTECTIVE WHEEL	000101~		2
4	1021616	HEX BOLT M6×16	000101~		2
5	8115404	BEARING, JOURNAL	000101~		2
6	1421612	FLAT WASHER M6×φ12×1.6	000101~		2
7	8118300	LEFT BRACKET	000101~		1
8	8118400	CASTER, 2 INCH	000101~		2
9	8118600	CLAMP ASSEMBLY, SQUEEGEE	000101~		1
10	8118022	SQUEEGEE BLADE, REAR, LINATEX	000101~		1
	8118002	SQUEEGEE BLADE, REAR, PU (OPTION)	000101~		1
11	8118003	STAR KNOB M8	000101~		4
12	8118004	SQUEEGEE HOUSING	000101~		1
13	1021835	HEX BOLT M8×35	000101~		2
14	1121807	HEX NUT M8	000101~		1
15	8118005	RETAINER,SQUEEGEE	000165~000490	i20NB	1
			000187~000488	i20NBT	
			000101~000258	i20NBT-OB	
			000139~000311	i24BT	
16	1021860	HEX HEAD BOLT M8×60	000101~		4
17	8118021	SQUEEGEE BLADE, FRONT, LINATEX	000101~		1
	8118001	SQUEEGEE BLADE, FRONT, PU (OPTION)	000101~		1
19	8118610	SHORT CLAMP ASSEMBLY	000101~		1
20	1221575	SCREW M5×75	000101~		1
21	8118200	RIGHT BRACKET	000101~		1
22	1121008	HEX NUT M10	000101~		2
23	8118109	HOLDER VACUUM HOSE	000101~		1
24	8118006	VACUUM HOSE	000165~101273	i20NB	1
			000187~101231	i20NBT	
			000101~100609	i20NBT-OB	
			000139~000611	i24BT	

**NOTES:**

1. If the specific model is not filled in the item of machine type, the material used for i20NB/i20NBT/i20NBT-OB/i24BT models is the same.

SQUEEGEE GROUP (2.0)





# PARTS LIST

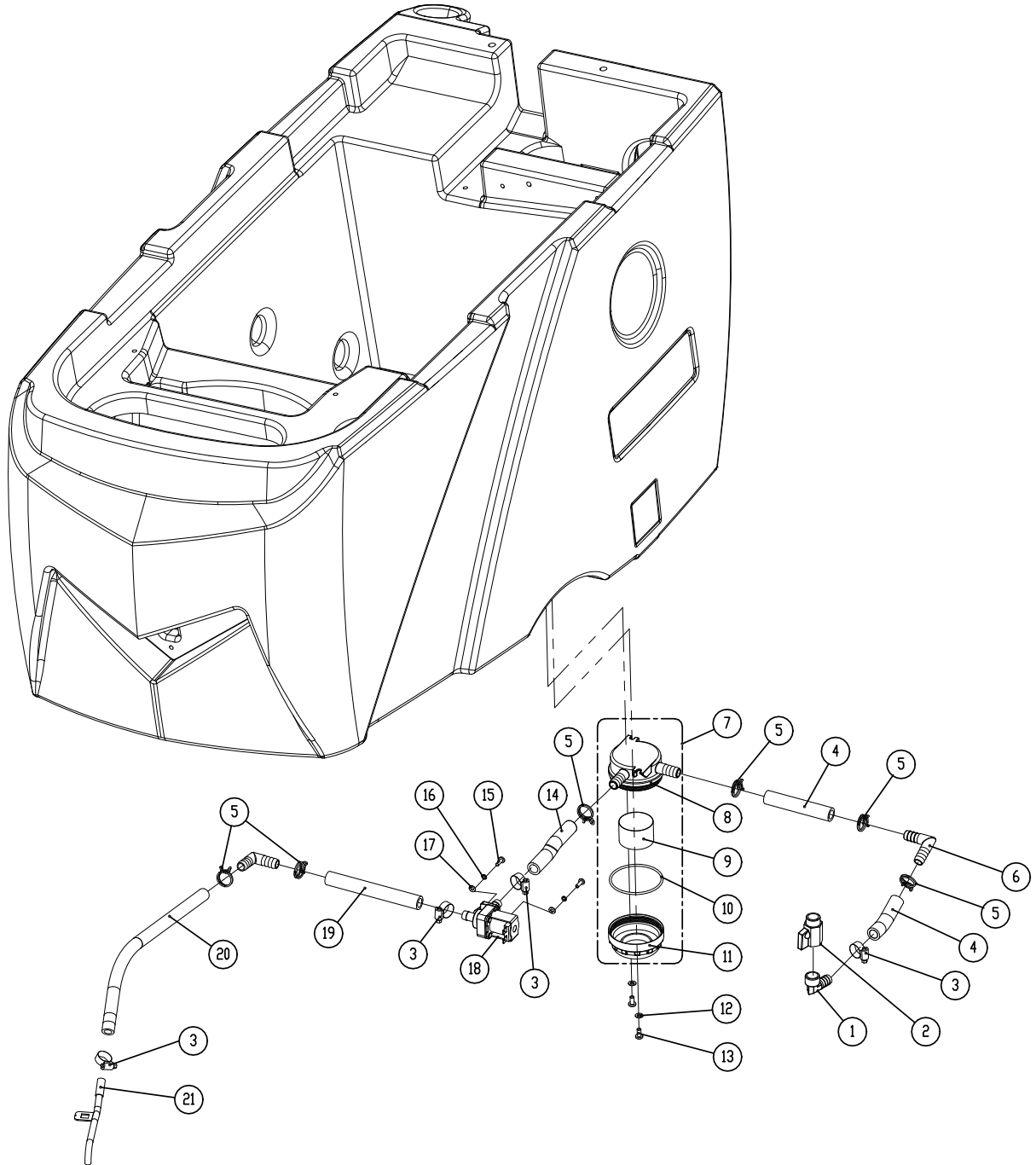
## SQUEEGEE GROUP (2.0)

DIA NO.	PART NUMBER	DESCRIPTION	SERIAL NUMBER	MACHINE TYPE	NO REQ'D
1	1123810	LOCK NUT M8			2
2	1421824	FLAT WASHER M8×φ24×2.0			4
3	8116009	PROTECTIVE WHEEL			2
4	1021616	HEX BOLT M6×16			2
5	8115404	BEARING, JOURNAL			2
6	1421612	FLAT WASHER M6×φ12×1.6			2
7	8118300	LEFT BRACKET			1
8	8118400	CASTER, 2 INCH			2
9	8118600	CLAMP ASSEMBLY, SQUEEGEE			1
10	8118022	SQUEEGEE BLADE, REAR, LINATEX			1
	8118002	SQUEEGEE BLADE, REAR, PU (OPTION)			1
11	8118003	STAR KNOB M8			4
12	8118004	SQUEEGEE HOUSING			1
13	1021835	HEX BOLT M8×35			2
14	8118009	S T A I N L E S S S T E E L L RETAINER,SQUEEGEE	000528~	I20NB	1
			000489~	I20NBT	
			000259~	i20NBT-OB	
			000337~	i24BT	
15	8118008	PLASTIC SPACER	000528~	I20NB	1
			000489~	I20NBT	
			000259~	i20NBT-OB	
			000337~	i24BT	
16	1222515	COUNTERSUNK FLAT HEAD SCREW M5×15			6
17	8118010	RETAINER KIT			1
18	8118021	SQUEEGEE BLADE, FRONT, LINATEX			1
	8118001	SQUEEGEE BLADE, FRONT, PU (OPTION)			1
19	8118610	SHORT CLAMP ASSEMBLY			1
20	1221575	SCREW M5×75			1
21	8118200	RIGHT BRACKET			1
22	1121008	HEX NUT M10			2
23	8118600A	CLAMP ASSEMBLY			1
24	8118624	SHAFT			1
25	8118623	SPACER			1
26	1123507	LOCK NUT M5			1
27	8118109	HOLDER VACUUM HOSE			1
28	8118006	VACUUM HOSE	000165~101273	I20NB	1
			000187~101231	I20NBT	
			000101~100609	i20NBT-OB	
			000139~000611	i24BT	
29	8118000	SQUEEGEE ASSEMBLY, LINATEX			1
	8118000-PU	SQUEEGEE ASSEMBLY, PU			1

### NOTES:

1. If the specific model is not filled in the item of machine type, the material used for i20NB/i20NBT/i20NBT-OB/i24BT models is the same.

SOLUTION GROUP



# PARTS LIST

## SOLUTION GROUP

DIA NO.	PART NUMBER	DESCRIPTION	SERIAL NUMBER	MACHINE TYPE	NO REQ'D
1	8119007	ELBOW G1/2	000101~		1
2	8119005	BALL VALVE, G1/2	000101~		1
3	1962016	CLAMP, Hose 3/8"	000101~		4
4	8119201	TUBING ID=12MM L=70MM	000101~		2
5	8119006	CLAMP	000101~		6
6	8119002	ELBOW, TUBING BARB	000101~		2
7	8119200	FILTER ASSEMBLY, 40 MESH	000101~		1
8	8119101	BASE, FILTER ASSEMBLY	000101~		1
9	8119104	SCREEN, FILTER, 40 MESH	000101~		1
10	1623660	O-Ring	000101~		1
11	8119102	CAP, FILTER ASSEMBLY	000101~		1
12	1421510	FLAT WASHER M5×10×1	000101~		2
13	1221512	SCREW M5×12	000101~		2
14	8119202	TUBING, ID=12mm, L=100mm	000101~		1
15	1221412	SCREW M4×12	000101~		2
16	1422411	LOCK WASHER M4	000101~		2
17	1421409	FLAT WASHER M4× $\phi$ 9×0.8	000101~		2
18	8119003	SOLENOID VALVE,24VDC	000101~		1
19	8119203	TUBING ID=12MM L=135MM	000101~		1
20	8119204	TUBING ID=10MM L=360MM	000101~		1
21	8116100	WATER SUPPLY TUBE	000101~		1