

# ICE COBOTICS

[www.icecompanies.com](http://www.icecompanies.com)  
[www.ice4usa.com](http://www.ice4usa.com)



## OPERATOR & Parts Manual

**Automatic Scrubber**



**i18B**  
**i18C**

8019009  
REV.08(02-2022)



## READ OPERATOR MANUAL MANUAL CAREFULLY

**IMPORTANT:**To ensure full warranty protection,Please fill out & return your warranty card.

Please fill out at time of installation for future reference.

Model No. \_\_\_\_\_

Serial No. \_\_\_\_\_

Machine Options \_\_\_\_\_

Sales Rep. \_\_\_\_\_

Sales Rep. phone no. \_\_\_\_\_

Customer ID Number \_\_\_\_\_

Installation Date \_\_\_\_\_

### HOW TO ORDER PARTS

Only use ICE Company supplied or equivalent parts. Parts and supplies may be ordered online,by phone, by fax or by mail.

1. Identify the machine model.
2. Identify the machine serial number from the data label.
3. Ensure the proper serial number is used from the parts list.
4. Identify the part number and quantity.  
Do not order by page or reference numbers.
5. Provide your name, company name, customer ID number,billing and shipping address, phone number and purchase order number.



### PROTECT THE ENVIRONMENT

Please dispose of packaging materials,old machine components such as batteries, hazardous fluids, including antifreeze and oil, in an environmentally safe way according to local waste disposal regulations.

Always remember to recycle.



### ICE Company Limited

XiangShi Road LiaoBu DongGuan GuangDong China

Tel: 0769 - 81869000

Fax:0769 - 81863000

**Specifications and parts are subject to change without notice.**

---

# TABLE OF CONTENTS

SAFETY PRECAUTIONS . . . . .	4
MACHINE COMPONENTS . . . . .	6
MACHINE SETUP & INSTALLATION . . . . .	7
MACHINE OPERATION . . . . .	8
WHILE OPERATING MACHINE . . . . .	8
TANK DRAINING. . . . .	8
PREVENTATIVE MAINTENANCE. . . . .	10
BASIC TROUBLESHOOTING . . . . .	12
TECHNICAL SPECIFICATION . . . . .	13
PARTS LIST . . . . .	14
WEAR & TEAR PARTS LIST . . . . .	31
WIRING DIAGRAM . . . . .	32

# SAFETY PRECAUTIONS

FOR i18B

This machine is intended for commercial use. It is designed exclusively to scrub hard floors in an indoor environment and is not constructed for any other use. Only use recommended accessories.

**All operators should read, understand and exercise the following safety precautions:**

## 1. Do not operate machine:

- Unless trained and authorized.
- Unless you have read and understood the operator's manual.
- In flammable or explosive areas.
- If not in proper operating condition.
- In outdoor areas and standing water.

## 2. Before operating machine:

- Make sure all safety devices are in place and operating properly.

## 3. When using machine:

- Go slow on inclines and slippery surfaces.
- Follow all safety guidelines.
- Report and fix any damage to machine prior to operating it.
- Never allow children to play on or around the machine.
- Do not operate on inclines that exceed 2%(3°).

## 4. Before leaving or servicing machine:

- Stop on level surface.
- Turn off machine.

## 5. When servicing machine:

- Read operator's manual thoroughly prior to operating or servicing this machine.
- Use manufacturer supplied or approved

- replacement parts.
- Secure machine with wheel blocks prior to jacking the machine up.
- Use approved jack or hoist to safely elevate the machine.
- Disconnect batteries prior to working on machine.
- Wear gloves when handling batteries or battery cables.
- Avoid any contact with battery acid.
- Avoid moving parts. Do not wear loose fitting clothing while servicing machine.



**Batteries may emit hydrogen gas. Explosion or fire can result from hydrogen gas. Keep sparks and open flames away! Keep battery compartment open when charging(except maintenance-free batteries).**



**Flammable materials can cause an explosion or fire. Do not use flammable materials in tanks.**



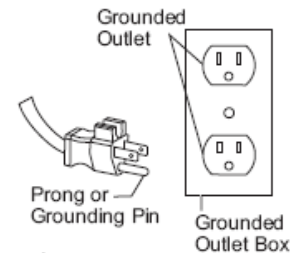
**Flammable materials or reactive materials can cause explosion or fire. Do not pick them up.**

**SAFETY PRECAUTIONS****FOR i18C**

**Carefully read and understand this manual before operating this machine.  
This machine must be grounded!**

This scrubbing machine shall be grounded while in use to protect the operator from electric shock. Grounding provides a path of least resistance for electric current. This machine is equipped with a cord having an equipment-grounding conductor and grounding plug. The plug must be plugged into an appropriate outlet that is properly installed and grounded in accordance with all local codes and ordinances. Do not remove the ground pin under any circumstances.

This machine is for use on a nominal 110-volt circuit and has a grounding plug that resembles the plug illustrated in Figure. Make sure that the machine is connected to an outlet having the same configuration as the plug. No adapter should be used with this machine.



This machine is intended for commercial use. It is constructed for use in an indoor environment and is not intended for any other use. Use only recommended accessories.

**1. Do not operate machine:**

- Unless trained and authorized.
- In flammable or explosive areas.
- With a damaged cord or plug
- If not in proper operating condition.
- Unless you have read and understood the operator's manual.
- With the use of extension cords.
- In outdoor areas and standing water.

**2. Before operating machine:**

- Make sure all safety devices are in place and operating properly.

**3. When using machine:**

- Do not run machine over cord.
- Do not pull cord around sharp edges or corners.
- Do not handle plug with wet hands.
- Report machine damage or fault operation immediately.
- Do not pull machine by cord or plug.
- Do not unplug by pulling on the cord.
- Do not stretch cord.
- Keep cord away from heated surfaces.
- Unplug cord from outlet.
- Use manufacturer supplied or approved replacement parts.

**4. Before leaving or servicing machine:**

- Turn off machine.

**5. When servicing machine:**

- Unplug cord from outlet.



**To avoid electrical shock, please replace the power cord immediately if any damage is being detected. The replacement must be performed only by an authorized person or by our customer service center.**

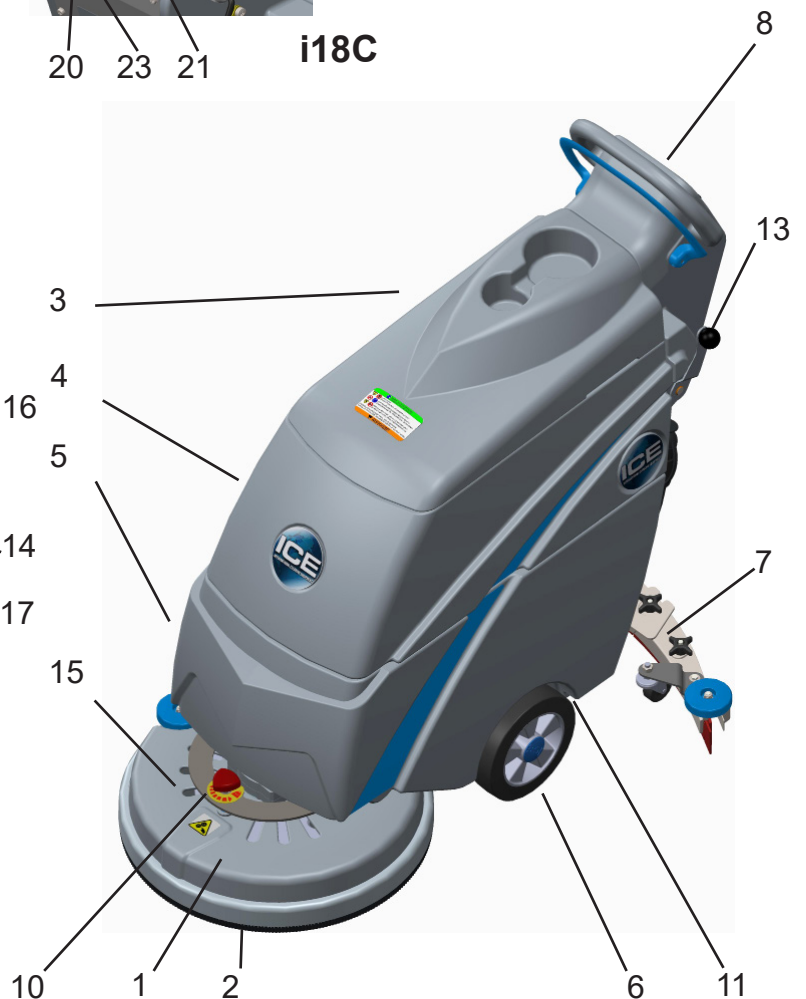
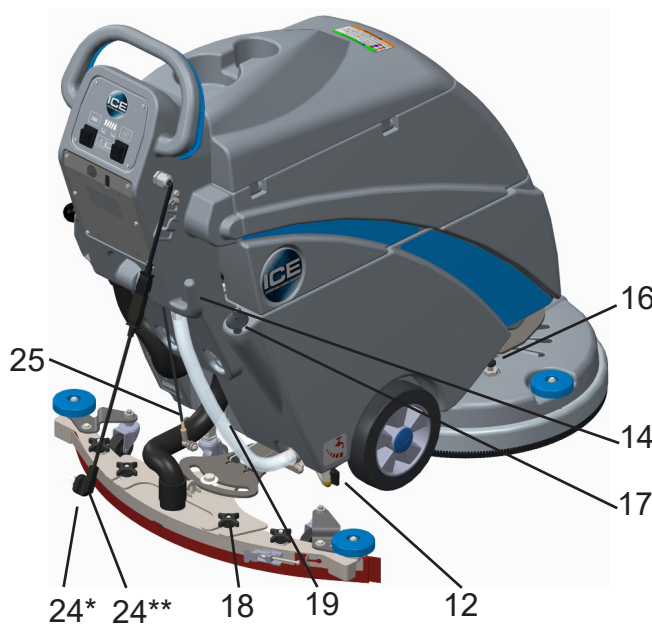
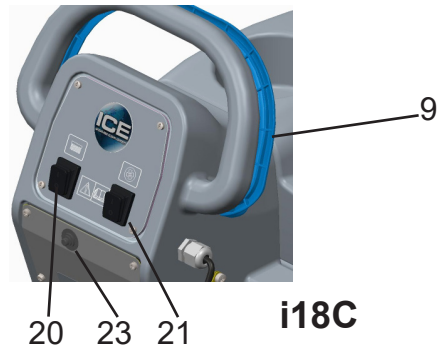
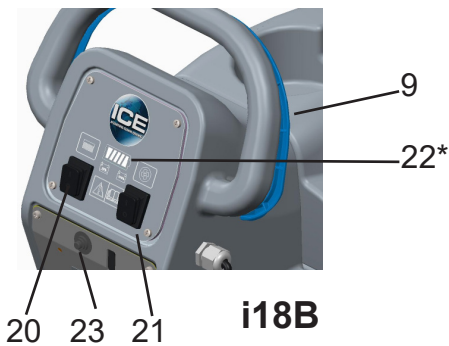


**Flammable materials can cause explosion or fire. Do not use flammable materials in tanks or pick them up.**

# MACHINE COMPONENTS

## Machine Structure

- |                             |                                |                             |
|-----------------------------|--------------------------------|-----------------------------|
| 1. Brush cover              | 2. Brush                       | 3. Cover tank               |
| 4. Recovery tank            | 5. Solution tank               | 6. 8" wheels                |
| 7. Squeegee                 | 8. Control box                 | 9. Trigger                  |
| 10. Adjusting handle        | 11. Water filter               | 12. Ball valve              |
| 13. Squeegee lifting handle | 14. Power cord hook            | 15. Brush/pad driving hub   |
| 16. Brush plunger           | 17. Plug of water filling port | 18. Knob                    |
| 19. Clear tube              | 20. Switch for brush motor     | 21. Switch for vacuum motor |
| 22*. Battery monitor        | 23. Circuit breaker            | 24*. Charger power cord     |
| 24**. Power cord            | 25. Support wheel              |                             |



\* : only for i18B \*\* : only for i18B

## MACHINE SET UP & INSTALLATION

### UNPACK MACHINE:

Be sure and check packing carton for any damage. Immediately report any damage to carrier. Be careful not to let machine vibrate while carrying, Check contents of package to ensure that the following items are included: Machine, squeegee assembly, brush/pad driver, charger cord.

### MACHINE SET UP & PRE-OPERATION CHECKS:

- 1) Sweep the outside of the machine.
- 2) Check battery meter to make sure batteries are fully charged (see battery charging, only for i18B ).
- 3) Check that squeegee and brush / pad is properly installed.
- 4) The forward speed of machine can be controlled by turning the knob(10). Turn the knob clockwise to speed up machine. or turn the knob counter clockwise to slow down machine.
- 5) Make sure the working surface can support the machine weight, the gradient of the floor can't exceed the limit that machine allowed(2%).

### INSTALLING PAD DRIVER OR BRUSH:

- 1) Turn off machine.
- 2) Tilt the machine backwards, line up the driving hub with the hole of brush or pad driver, make sure the three studs are fitted into the three slots of the drive hub.  
\*If a pad driver is being used, the appropriate pad should be attached to the pad driver first.
- 3) Push the plunger, located on the brush cover to prevent the driving hub from rotating, then spin the brush/pad clockwise with your another hand till the clip clamp releases the studs on the brush/pad.

### INSTALLING THE SQUEEGEE:

- 1) Loosen the two knobs(18) on the squeegee and slide the squeegee into the slots at the rear of the squeegee bracket. (the wheels on the squeegee point to the machine.)
- 2) Tighten the knobs securely.

### FILLING THE SOLUTION TANK:

- 1) The fill port is located at the rear of machine
- 2) Fill solution tank with water. (use a hose which link to a water faucet,water temperature should not exceed 122° F) The clear tube(19) in the back right of the machine has gallon markers to help determine the water level in the solution tank(5).  
\*Depending on the dirty level of the ground, add the proper amount of detergent into the solution tank.



**Do not put any flammable materials into solution tank. This can cause an explosion or a fire. Only use recommended cleaning chemicals. Contact your janitorial supply distributor for recommendations on proper chemicals.**

## MACHINE OPERATION



**Do not operate machine unless you have read and understand this manual.**

- 1) Lower squeegee assembly to the floor by spin the squeegee lifting handle(13).
- 2) Turn brush motor switch(20) to “on” position.
- 3) Turn vacuum motor switch(21) to “on” position.
- 4) Rotate the ball valve(12) handle to vertical position. Solution will not begin to flow until the operating triggers (9) are pulled.
- 5) To begin scrubbing, pull on the blue operating trigger(9), when this triggers is pulled, the pad driver will begin to spin and the solution will begin to flow.
- 6) Begin scrubbing by moving the machine forward



**Do not keep the machine in the same position with the pad / brush spinning, or you might damage the floor.**

- 7) Adjust solution flow by adjusting the position of ball valve knob.

## WHILE OPERATING MACHINE

- 1) Occasionally open the cover tank(3) to see if there is any foam build-up. If excessive foam is found, add defoamer to the recovery tank.



**Foam must not enter the float shut-off screen, or damage can occur to the vacuum motor. Foam will not activate the machine's float shut-off device.**

- 2) Occasionally view the clear tube at the back left of the machine to check the amount of cleaning solution that is left in the machine.

If the squeegee assembly leaves streaks on the floor, raise the squeegee off the floor and wipe the blades down with a damp cloth.



**Do not use your fingers to wipe or remove debris from the blades, as injury may occur.**

When the solution tank runs empty, turn off the brush switch and ball valve of solution tank. Keep the squeegee down and continue to vacuum until all the dirty water is picked up.

## TANK DRAINING

- 1) Turn the switches on the control panel to “off ” position.
- 2) Raise the squeegee, transport machine to approved area for draining tank(s).



**Any time scrubbing is completed, or when refilling solution tank, the recovery tank should be drained and cleaned.**



**If the recovery tank is not drained when the solution tank has been refilled, foam or water may enter the float shut-off mechanism and cause damage to the vacuum motor.**



## DRAINING THE RECOVERY (DIRTY) TANK

- 1) Remove the drain hose from the holder, and place the drain hose over the floor drain. Twist off the drain hose plug to begin the draining process.
- 2) Clean the recovery tank after every use. Use a fresh water hose to rinse out the recovery tank. Be careful not to spray water into the float shut-off mechanism.



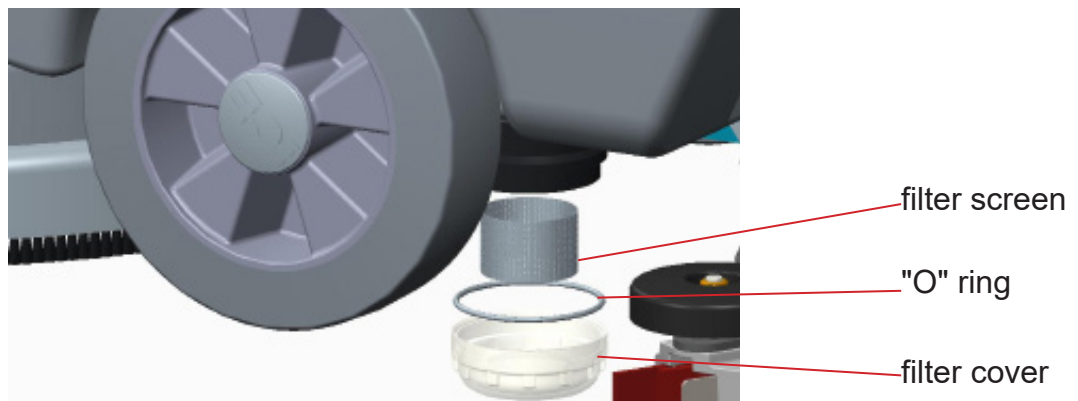
If you are storing the machine for any period of time, keep the cover tank open so the tank can dry completely and smell fresh.

## DRAINING THE SOLUTION (CLEAN) TANK



Any time scrubbing operation is completed, the solution tank should be drained and cleaned.

- 1) Pull down on the clear tube (back left of the machine) to remove it from the hose barb. This will allow the solution to flow freely into a bucket or floor drain.
- 2) Rinse the solution tank with clean water after every use. This will help prevent chemical buildup and clogging of the solution lines.
- 3) Once tank is rinsed, flushed and drained, reconnect the clear tube to the hose barb. Be sure the tube is pushed all the way up on the hose barb.
- 4) Screw off the cover of the water filter(11) to completely exhaust the tank and check the filter screen, clean it up if necessary.
- 5) Screw up the cover of the water filter(11), but sure to install the screen and the "O" ring in the correct position.



## BATTERY CHARGING (ONLY FOR i18B)

Each machine was equipped with on-board charger and batteries, please use original parts only.

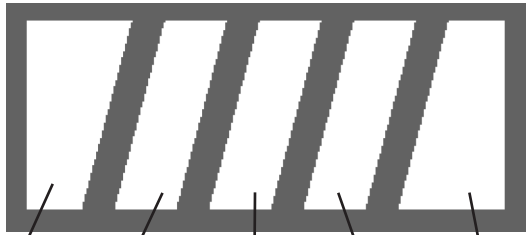


**WARNING:** Fire or explosion hazard. Batteries may emit hydrogen gas. Keep sparks and open flame away. Keep battery compartment open when charging.

**NOTE:** Use only approved chargers with the following specifications:

- Automatic shut off circuit.
- Deep cycle charging.
- Output current of 8-15 Amps.
- Output voltage of 24 volts.

Battery Indicator Description:



Red Yellow 2 Yellow 1 Green 2 Green 1

Green lights on: full power.  
 Yellow lights on, green lights off : medium power.  
 Red light on, other lights off: 20% power, the machine should be stopped and the batteries should be recharged.  
 Red light flash: the batteries have already been discharged deeply.

**NOTE:** Frequently deep discharging will reduce the life of the batteries, charge the batteries when the red light is on.

- 1) Place the machine in a well ventilated area.
- 2) Turn the machine off.
- 3) If charging wet (lead acid) batteries, check the fluid level before charging.
- 4) Connect the charger's AC power supply cord to a properly grounded receptacle.
- 5) The charger will automatically begin to charge and will automatically shut off once the batteries are fully charged.
- 6) Upon completion of charging, disconnect the AC power supply cord.

**NOTE:** The charging status can be seen through the lights behind the transparent panel:  
 Yellow light on: Normal charging  
 Green light flash: 80% charged  
 Green light on: Fully charged, batteries ready for use.  
 Yellow lights flash: No batteries or incorrect wiring.

## PREVENTATIVE MAINTENANCE



**WARNING:** Before performing any maintenance on the machine, be sure that the power is turned off, or the batteries are disconnected!



**WARNING:** Repairs are to be completed by authorized service centers only. Any repairs completed by unauthorized persons will void the warranty.

## DAILY MAINTENANCE

- 1) Remove pad driver / brush and clean with approved cleaner.
- 2) Drain recovery and solution tanks completely and rinse out with clean water. Visually check the recovery tank for debris and clean out as necessary.
- 3) Raise squeegee assembly off floor and wipe it down with a damp towel. Be sure to store the squeegee in the up position.
- 4) Remove the float shut-off assembly and rinse it out with clean water.
- 5) Clean machine with an approved cleaner and a damp towel. Don't spray water to clean the outside of machine to avoid damage to motor and wiring.
- 6) Unplug vacuum motor from power source and hose cuff & remove the drain hose from the holder prior to removing the recovery tank when performing maintenance.
- 7) Check the condition of the squeegee blade wiping edge, rotate blade or replace it if worn.

## MONTHLY MAINTENANCE

- 1) Clean the battery tops to prevent corrosion (only for i18B).
- 2) Check for loose battery cable connections (only for i18B).
- 3) Inspect and clean the recovery tank cover seal. Replace it if damaged.
- 4) Lubricate all grease points and pivot points with silicon spray and approved grease.
- 5) Check the machine for loose nuts and bolts.
- 6) Check the machine for leaks.

## MOTOR MAINTENANCE

- 1) Contact your local ICE Distributor for any motor maintenance.
- 2) Check the motor brushes every 250 hours, Replace the brushes when they are worn to a length of 10mm or less.

## BATTERY MAINTENANCE (ONLY FOR i18B)



**WARNING:** Batteries may emit hydrogen gas and an explosion or fire can result. Keep sparks and fire away from batteries at all times.



**WARNING:** Whenever servicing batteries, be sure to wear protective gloves. Avoid contact with battery acid at all times.

*Note: For the best machine performance, keep batteries charged at all times. Do not let them sit in a discharged condition.*

- 1) Always follow the battery charging direction as outlined in the BATTERY CHARGING section of this manual.
- 2) Keep battery tops and terminals free from corrosion. A strong solution of baking soda and water is the best way to keep the batteries corrosion free. **DO NOT ALLOW THE BAKING SODA / WATER SOLUTION TO ENTER THE BATTERY CELLS.**
- 3) Use a wire brush with the baking soda solution to properly clean the battery posts and connections.
- 4) Check battery connections for wear and loose terminals. Replace them if necessary.

## MACHINE STORAGE

- 1) Always store the machine indoors and in its upright position.
- 2) Always store the machine in a dry area.
- 3) Always take off the pad driver / brush before storage.
- 4) Always store the machine with the squeegee assembly raised off the floor.
- 5) If storing in an area which may reach freezing temperatures, be sure to drain all fluids from the machine prior to storage(include the filter). Any damage caused by freezing temperatures will not be covered by the warranty.
- 6) Drain the recovery tank and keep the cover tank open so that it can "breathe" during storage.
- 7) Drain the solution tank of all fluid.

## BASIC TROUBLESHOOTING

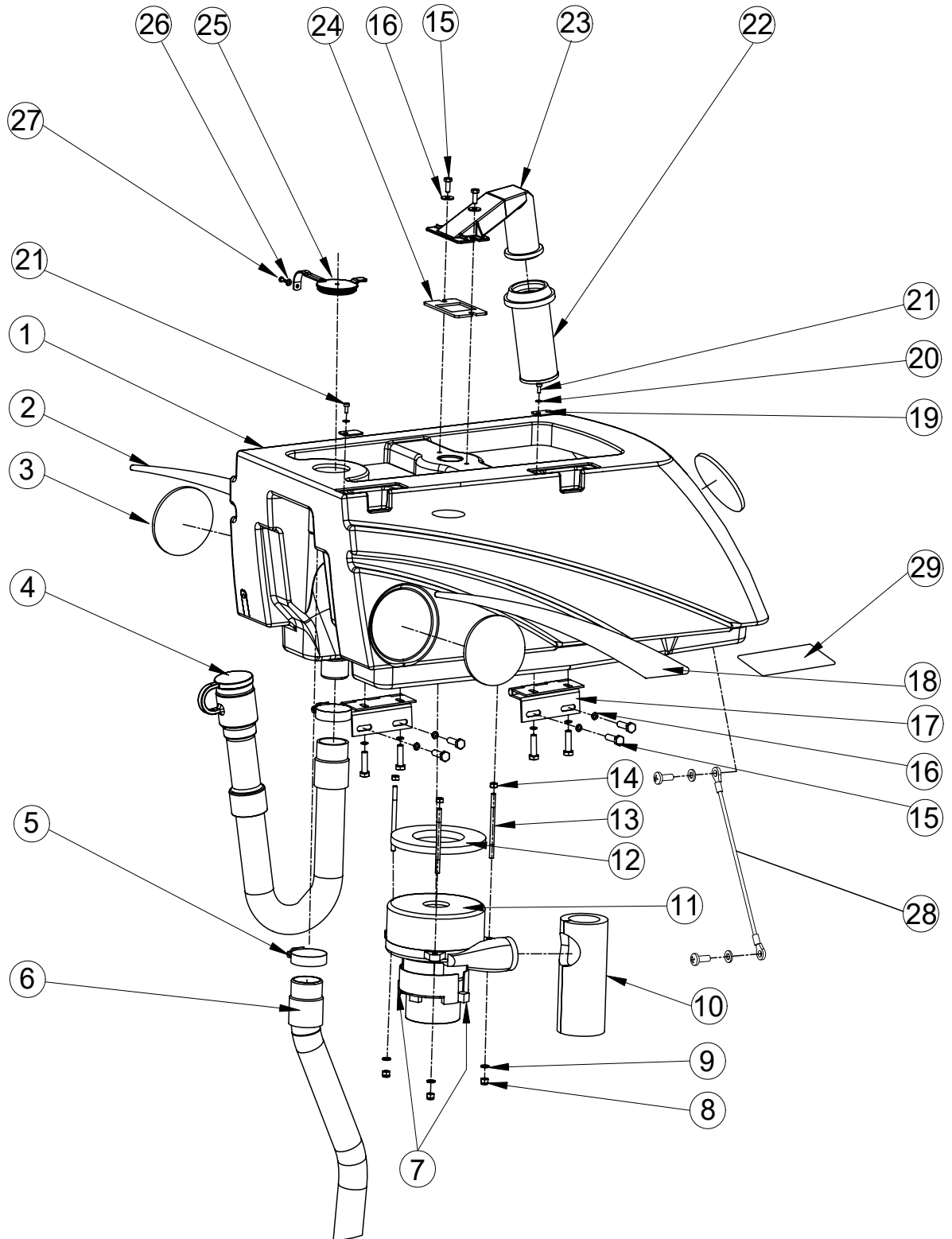
<b>PROBLEM</b>	<b>CAUSE</b>	<b>SOLUTION</b>
No Power	The wiring not connected correctly or bad wiring	Check the wiring or contact ICE Distributor
	Bad brush motor	Contact ICE Distributor
	Carbon brushes worn out	Contact ICE Distributor
Vacuum motor does not run	The wiring not connected correctly or bad wiring	Check the wiring or contact ICE Distributor
	Bad vacuum motor	Contact ICE Distributor
	Carbon brushes worn out	Contact ICE Distributor
Little or no solution flow	Bad ball valve	Contact ICE Distributor
	Bad solution valve	Contact ICE Distributor
	Ball valve position in need of adjustment	When ball valve is in horizontal position, the amount of solution flow is maximum.
Poor water pick up	Squeegee clogged	Clean debris off squeegee with a damp towel
	Squeegee blades worn	Install new squeegee blades
	Squeegee not mounted correctly	Confirm that the squeegee assembly is securely fastened to the machine and not loose fitting.
	Vacuum hoses have a hole or are loose	Check hose connections and make sure they are firm. Replace hose if damaged.
	Vacuum hose may be clogged	Check hose for debris and remove any clog.
	Drain hose stopper is loose	Tighten drain plug.
	Vacuum motor is loose	Tighten vac motor mounting screws. Do not over tighten or damage will occur.
	Recovery tank lid is loose	Confirm the cover tank is securely in its place.
	Recovery tank is full	Drain recovery tank
Float shut off is clogged	Remove float shut off from inside recovery tank and remove any debris	
short runtime*	Low battery charge	Fully recharge batteries
	Defective batteries	Replace batteries
	Batteries need maintenance	See BATTERY MAINTENANCE
	Faulty battery charger	Repair or replace battery charger

\* ONLY FOR i18B

## TECHNICAL SPECIFICATION

ITEM	i18B	i18C
Working Width	18in / 450mm	
Squeegee Width	30in / 762mm	
Productivity rate	16145 ft <sup>2</sup> h / 1500m <sup>2</sup> h	12915 ft <sup>2</sup> h / 1200m <sup>2</sup> h
Brush Dia.	18in / 450mm	
Brush Speed	180rpm	
Max Pad Pressure	55lbs / 25kg	
Voltage	24VDC	120VAC
Brush Motor	0.75hp / 550W	
Vacuum Motor	0.7hp / 500W	
Batteries	2-12V, 85AH @20hr	N/A
Solution Tank Capacity	9.25Gal / 35L	
Recovery Tank Capacity	10.57Gal / 40L	
Machine Weight (w/o batteries)	138lbs / 62.5kg	
Batteries Weight	110lbs / 50kg	N/A
Machine Length	45.87in / 1165mm	
Machine Height	40.35 in / 1025mm	
Machine Width	20.5in / 520mm	
Power cord Length	N/A	82ft / 25m
Charger cord length	8.2ft / 2.5m	8.2ft / 2.5m
Max Gradient	2%	
Type of Drive	Brush assisted	
Noise Level	70 dB	
Working Vacuum	155 mbar	

# RECOVERY TANK ASSEMBLY



## RECOVERY TANK ASSEMBLY

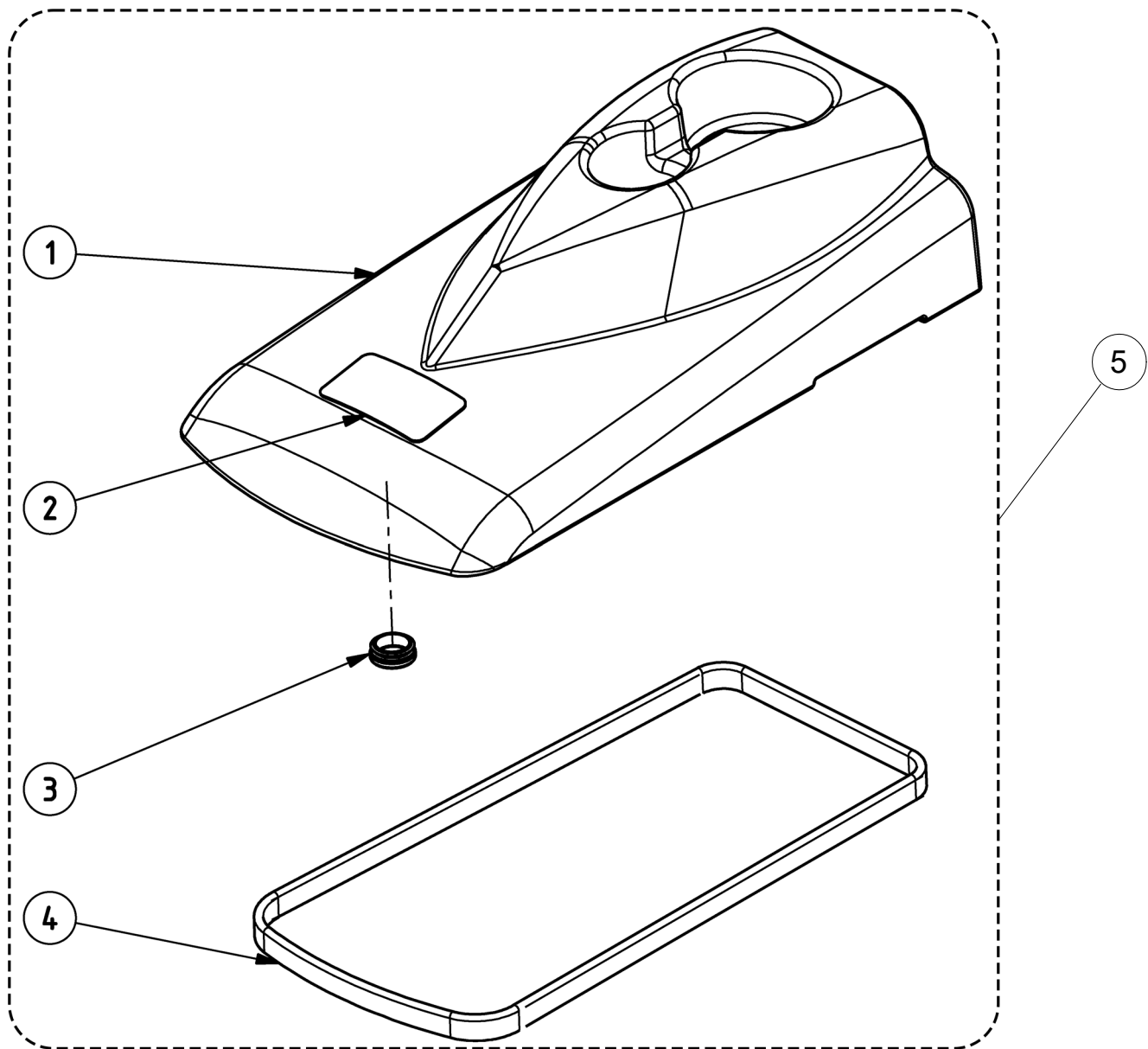
DIA NO	PART NUMBER	DESCRIPTION	SERIAL NUMBER	NO REQ'D
1	8016001	RECOVERY TANK		1
2	8011011	DECAL,LEFT		1
3	4010316	ICE LOGO		3
4	8131030	DRAIN HOSE		1
5	1962050	HOSE CLAMP 27-51mm		2
6	8011006	VACUUM HOSE		1
7	8132006*	CARBON BRUSH FOR VAC MOTOR		2
	8011026	CARBON BRUSH FOR VAC MOTOR		2
8	1113608	SELF LOCKING NUT M6		3
9	1411612	PLAIN WASHER 6×12×1.6		3
10	8011007	MUFFLER		1
11	8116500*	AMETEK VACUUM MOTOR , KIT, 24VDC		1
	8011200	AMETEK VACUUM MOTOR 110V, 500W, KIT		1
12	8112005	GASKET		1
13	8112006	BOLT		3
14	1111605	HEX NUT M6		3
15	1021616	HEX HEAD BOLT M6×16		10
16	1421618	PLAIN WASHER 6×18×1.6		10
17	8111300	HINGE ASSEMBLY		2
18	8011012	DECAL,RIGHT		1
19	8011009	PLATE		2
20	1421409	PLAIN WASHER 4×9×0.8,SS		5
21	1221410	PH SCREW M4×10,SS		3
22	8111015	FLOAT CAGE		1
23	8111014	FLITER COUPLING		1
24	8111001	GASKET		1
25	8131004	CAP	60012102612~	1
26	1421409	FLAT WASHER OD9X4X0.8		1
27	1321110	AUTO TAPPING SCREW ST3.5×10		1
28	8011013	CABLE		1
29	8050205*	LABEL, BATTERY INSTALLATION		1

Note:

Item 25: Two pieces change to one piece.

\* ONLY FOR i18B

## COVER TANK ASSEMBLY



### PARTS LIST

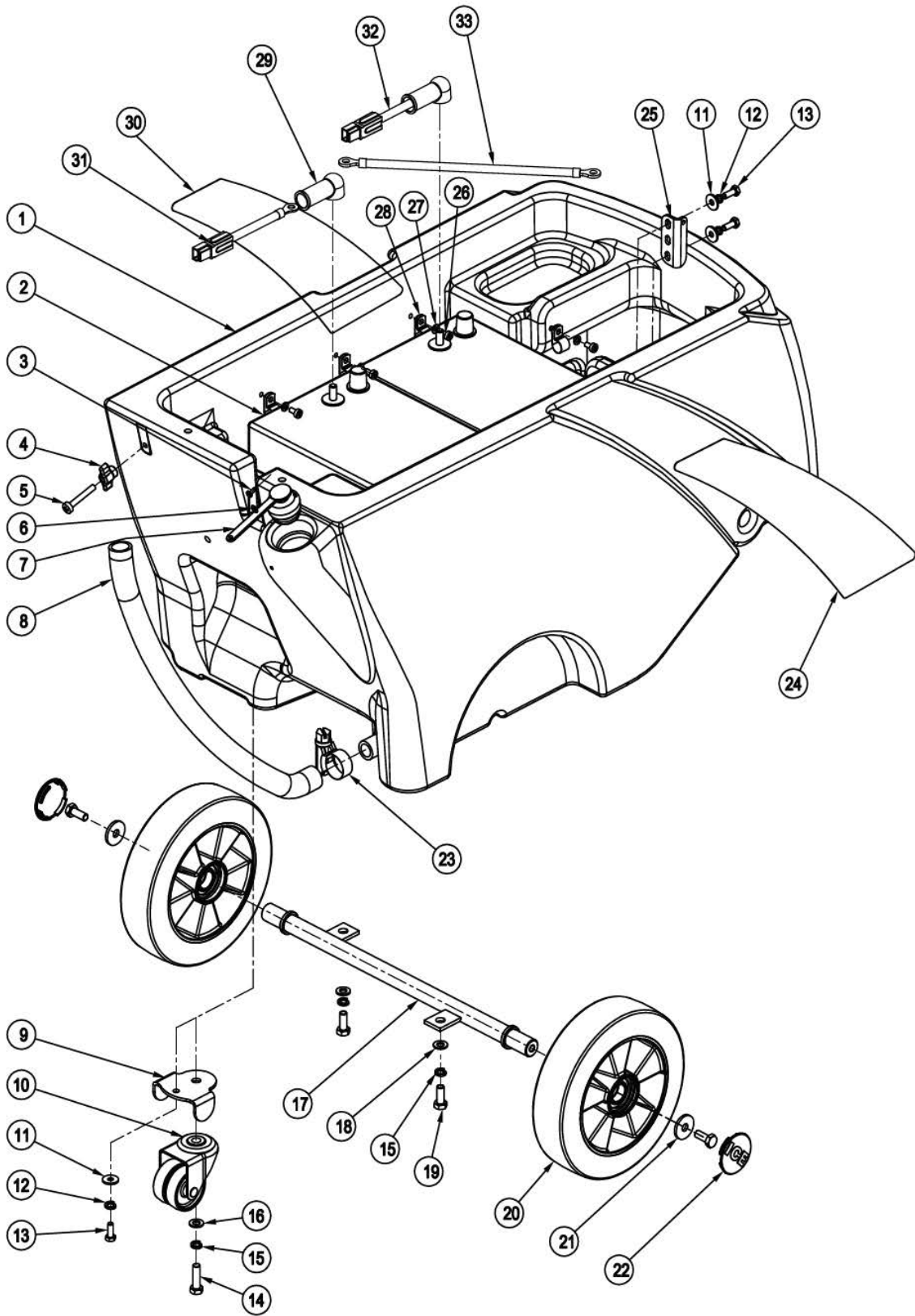
## COVER TANK ASSEMBLY

DIA NO	PART NUMBER	DESCRIPTION	SERIAL NUMBER	NO REQ'D
1	8012005	COVER TANK		1
2	8111022*	WARNING LABEL		1
	8012003	WARNING LABEL		1
3	8011005	CAP		1
4	8012002A	GASKET		1
5	8012000	RECOVERY LID ASSEMBLY		1

\* ONLY FOR i18B



# SOLUTION TANK ASSEMBLY

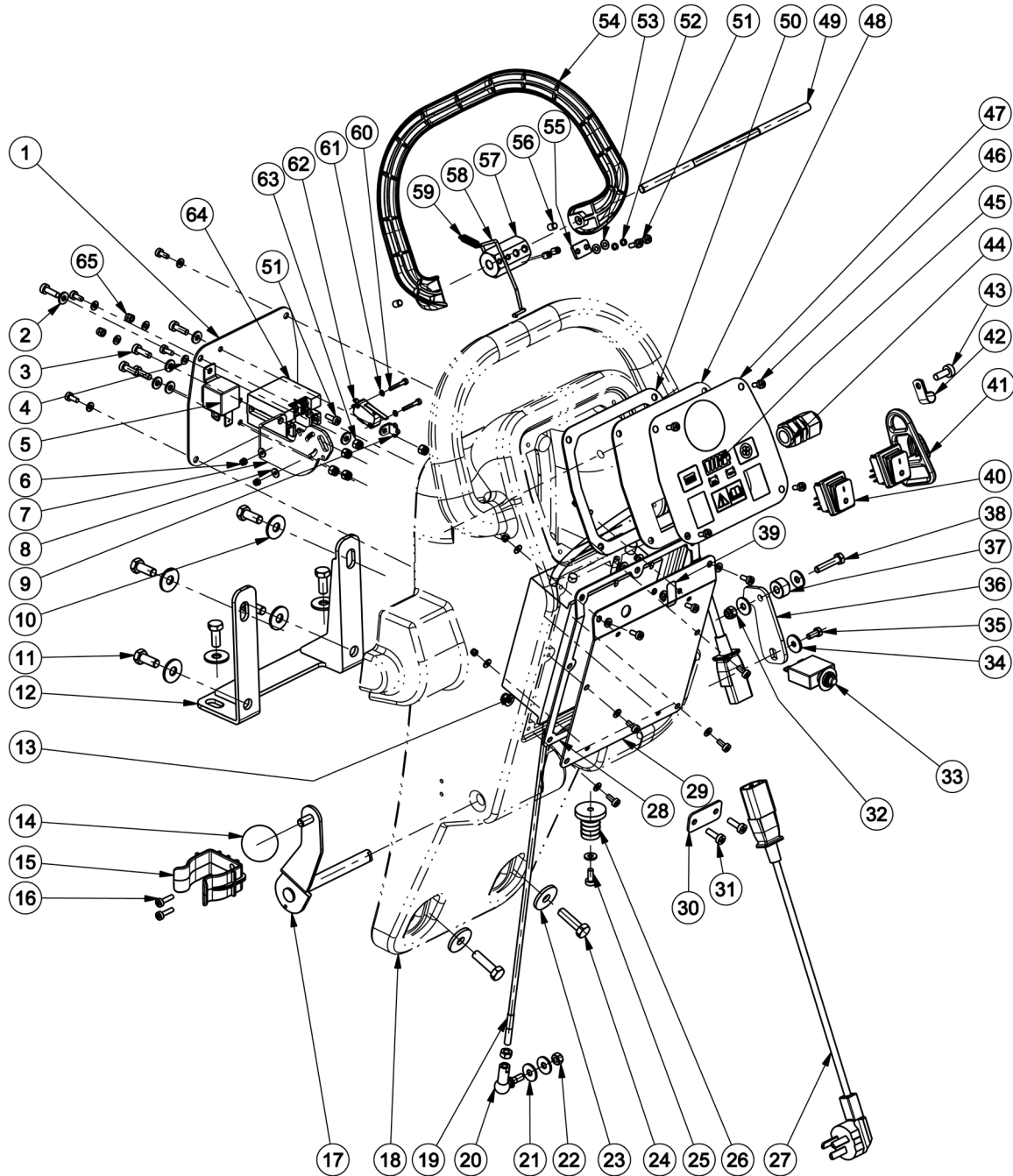


## SOLUTION TANK ASSEMBLY

DIA NO	PART NUMBER	DESCRIPTION	SERIAL NUMBER	NO REQ'D
1	8013001	SOLUTION TANK		1
2	8013010*	12V BATTERY		2
3	1321110	AUTO TAPPING SCREW ST3.5×10		1
4	8210531	KNOB, M6		1
5	1221640	PH SCREW M6×40, SS		1
6	1421409	PLAIN WASHER 4×9×0.8		1
7	8133002	PLUG		1
8	8013003	TRANSPARENT HOSE		1
9	8034012	BRACKET, CASTER		1
10	8013016	2" CASTOR		1
11	1421618	PLAIN WASHER 6×18×1.6		3
12	1422616	SPRING WASHER 6 SS		3
13	1021616	HEX HEAD SCREW M6×16,SS		3
14	1021830	HEX HEAD SCREW M8×30,SS		1
15	1422821	SPRING WASHER 8		3
16	1421824	PLAIN WASHER 8×24×2.0		1
17	8016010	WHEEL SHAFT		1
18	1421816	PLAIN WASHER 8×16×1.6		2
19	1021820	HEX HEAD SCREW M8×20,SS		4
20	8115200	8" WHEEL		2
	1612607	BALL BEARING, 6004LU		4
21	1421828	PLAIN WASHER 8×28×3		2
22	8115203	WHEEL CAP		2
23	1962025	HOSE CLAMP		1
24	8013009	DECAL,RIGHT		1
25	8013002	BACKET		1
26	1221510	PH SCREW M5×10,SS		4
27	1421510	PLAIN WASHER 5×10×1,SS		4
28	8113009	WIRE CLAMP		4
29	8114751*	WIRING BOOT		4
30	8013008	DECAL,LEFT		1
31	8050475	CABLE ASSEMBLY WITH CONNECTOR(BLACK i18B)		1
	8050475-1	CONNECTOR,BATTERY,BLACK ANDERSON 5916G4(i18B)		1
32	8050476	CABLE ASSEMBLY WITH CONNECTOR(RED i18B)		1
	8050476-1	CONNECTOR,BATTERY,RED ANDERSON 5916G7(i18B)		1
33	8114750	POSITIVE AND NEGATIVE CONNECTION WIRES		1

\* ONLY FOR i18B

# CONTROL BOX ASSEMBLY (FOR i18B)



## PARTS LIST

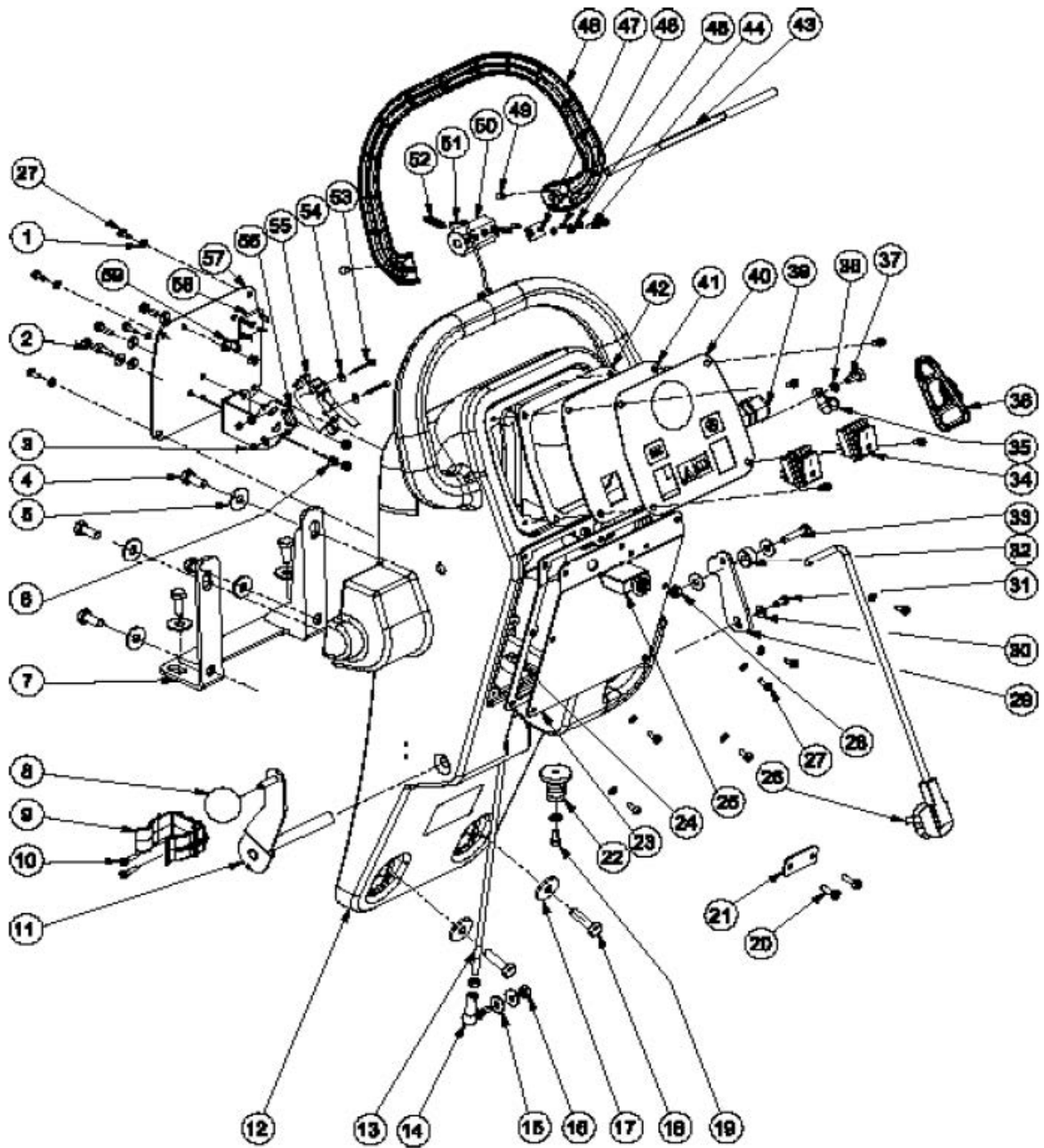
### CONTROL BOX ASSEMBLY

DIA NO	PART NUMBER	DESCRIPTION	SERIAL NUMBER	NO REQ'D
1	8014062	REAR PANEL		1
2	1421512	PLAIN WASHRE 5×12×1.5		9
3	1211516	PH SCREW M5×16		5
4	1421409	PLAIN WASHER 4×9×0.8		13
5	8114707	RELAY		1
6	1113305	SELFLOCKING NUT M3		8
7	8014061	SWITCH BRACKET		1
8	1411309	PLAIN WASHER 3×9×0.8		8

# PARTS LIST

DIA NO	PART NUMBER	DESCRIPTION	SERIAL NUMBER	NO REQ'D
9	8014034	BRCKET		1
10	1411824	PLAIN WASHER 8×24×2		6
11	1021820	HEX HEAD BOLT M8×20		6
12	8114030	FIXING BRACKET,CONTROL BOX		1
13	8014066	BATTERY CHARGER 24V		1
14	8113104	HANDLE		1
15	6210111	HOSE CLAMP		1
16	1221416	PH SCREW M4×16 SS		2
17	8014010	SQUEEGEE LIFTING HANDLE		1
18	8014008	CONTROL BOX		1
19	8034010	SQUEEGEE LIFTING ROPE		1
20	8114511	JOINT BEARING SQ6		1
21	1421618	PLAIN WASHER 6×18×1.6,SS		4
22	1121605	HEX NUT M6		2
23	1421828	PLAIN WASHER 8×28×3		2
24	1021830	HEX HEAD BOLT M8×30		2
25	1221512	PH SCREW M5×12,SS		1
26	8114005	PIPE COUPLING		1
27	8112030	CHARGER CORD (FOR US)		1
28	8014038	GASKET		1
29	8014036	PANEL		1
30	8014044	PLATE		1
31	1221516	PH SCREW M5×16 SS		2
32	1123608	SELFLOCKING NUT M6,SS		1
33	8114703	OVERLOAD PROTECTOR 35A		1
34	1421518	PLAIN WASHER 5×18×2		1
35	1021512	HEX HEAD BOLT M5×12,SS		1
36	8034011	BAFFLE		1
37	8014101	LIFTING ROPE SPACER		1
38	1021630	HEX HEAD BOLT M5×12,SS		1
39	8014045	TRANSPARENT PLATE		1
40	8014006	WATERPROOF SWITCH 250V 16A		2
41	8014043	WIRE BUFFER		1
42	8014041	WIRE CLAMP		1
43	1221616	PH SCREW M6×16,SS		1
44	2320403	STRAIN RELIEF		1
45	8014063	BATTERY CAPACITY INDICATOR		1
46	1221410	PH SCREW M4×10,SS		15
47	8014067	PANEL DECAL		1
48	8014069	FRONT PANEL		1
49	8114101	SHAFT		1
50	8014004	GASKET		1
51	1221412	PH SCREW M4×12, SS		4
52	1432411	SPRING WASHER 4		2
53	1411409	PLAIN WASHER 4×9×0.8		2
54	8014022	CONTROL TRIGGER		1
55	8014033	PLATE		1
56	1534608	SET SCREW M6×8		4
57	8014031	HEX BUSHING		1
58	8014032	SPRING ROD		1
59	8014035	SPRING		1
60	1211320	PH SCREW M3×20		2
61	1434300	WASHER WITH TOOTH 3		2
62	8114712	MICROSWITCH		1
63	1113507	SELFLOCKING NUT M5		7
64	8210421	RELAY 24VDC 30A		1
65	1123406	SELFLOCKING NUT M4, SS		2

# CONTROL BOX ASSEMBLY (FOR i18C)



## PARTS LIST

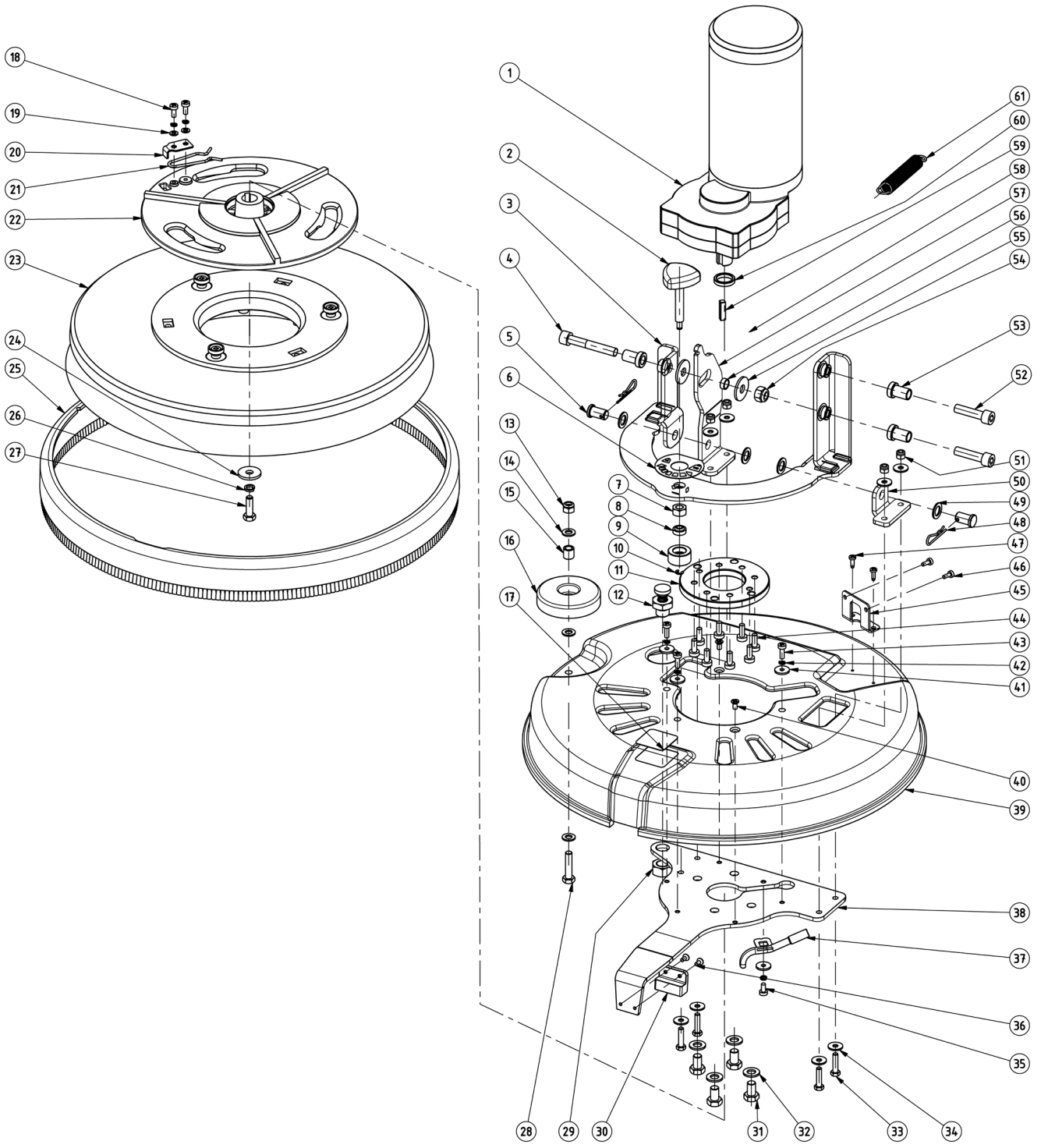
### CONTROL BOX ASSEMBLY

DIA NO	PART NUMBER	DESCRIPTION	SERIAL NUMBER	NO REQ'D
1	1421409	PLAIN WASHER 4×9×0.8		11
2	1211516	PH SCREW M5×16		4
3	1113305	SELFLOCKING NUT M3		2
4	1021820	HEX HEAD BOLT M8×20		6
5	1411824	PLAIN WASHER 8×24×2		6
6	1113507	SELFLOCKING NUT M5		4
7	8114030	FIXING BRACKET,CONTROL BOX		1
8	8113104	HANDLE		1

# PARTS LIST

DIA NO	PART NUMBER	DESCRIPTION	SERIAL NUMBER	NO REQ'D
9	6210111	HOSE CLAMP		1
10	1221416	PH SCREW M4×16 SS		2
11	8014010	SQUEEGEE LIFTING HANDLE		1
12	8014008	CONTROL BOX		1
13	8034010	SQUEEGEE LIFTING ROPE		1
14	8114511	JOINT BEARING SQ6		1
15	1421618	PLAIN WASHER 6×18×1.6,SS		4
16	1121605	HEX NUT M6		2
17	1421828	PLAIN WASHER 8×28×3		2
18	1021830	HEX HEAD BOLT M8×30		2
19	1221512	PH SCREW M5×12		1
20	1221516	PH SCREW M5×16 SS		2
21	8014044	PLATE		1
22	8114005	PIPE COUPLING		1
23	8014037	PANEL, BOTTOM		1
24	8014038	GASKET		1
25	8014068	OVERLOAD PROTECTOR 10A		1
26	8014053	POWER CORD		1
	8014058	POWER CABLE ASSEMBLY		1
27	1221410	PH SCREW M4×10,SS		17
28	1123608	SELFLOCKING NUT M6,SS		1
29	8034011	BAFFLE		1
30	1421512	PLAIN WASHRE 5×12×1.5		6
31	1021512	HEX HEAD BOLT M5×12,SS		1
32	8014101	LIFTING ROPE SPACER		1
33	1021630	HEX HEAD BOLT M6×30,SS		1
34	8014006	WATERPROOF SWITCH 250V 16A		2
35	8014041	WIRE CLAMP		1
36	8014043	WIRE BUFFER		1
37	1221614	PH SCREW M6×14		1
38	1422616	SPRING WASHER 6		1
39	2320403	STRAIN RELIEF		1
40	8014007	PANEL DECAL		1
41	8014005	FRONT PANEL		1
42	8014004	GASKET		1
43	8114101	SHAFT		1
44	1221412	PH SCREW M4×12,SS		2
45	1411409	PLAIN WASHRE 4×9×0.8		2
46	1432411	SPRING WASHER 4		2
47	8014033	PLATE		1
48	8014022	CONTROL TRIGGER		1
49	1534608	SET SCREW M6×8		4
50	8014031	HEX BUSHING		1
51	8014032	SPRING ROD		1
52	8014035	SPRING		1
53	1211325	PH SCREW M3×25		2
54	1411309	PLAIN WASHER 3×9×0.8		4
55	8014071	SWITCH		1
56	8014061	SWITCH BRACKET		1
57	8014002	REAR PANEL		1
58	6210423	RECTIFIER		1
59	8014034	BRACKET		1

# BRUSH ASSEMBLY



## PARTS LIST

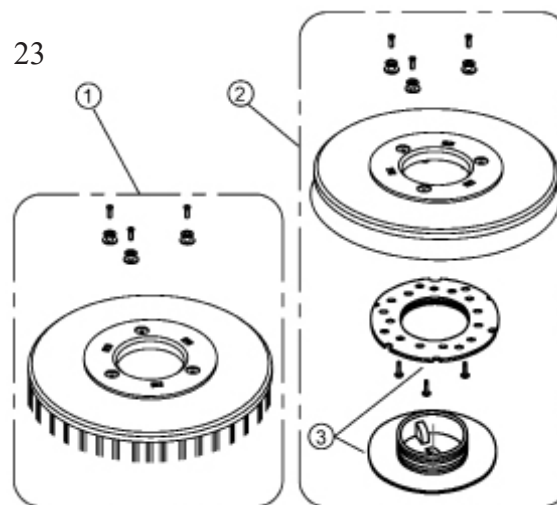
## BRUSH ASSEMBLY

DIA NO	PART NUMBER	DESCRIPTION	SERIAL NUMBER	NO REQ'D
1	8015200*	MOTOR 24V 550W, KIT		1
	8015220	MOTOR 120V 550W, KIT		1
2	8015020	ADJUSTING HANDLE		1
3	8015010	BRUSH HANGER		1
4	1511065	HEX SOCKET SCREW M10×65		1
5	1644220	PIN 12×20		2
6	8015101	DECAL		1
7	1111008	HEX NUT M10		1
8	8015104	BEARING GEC6C		1
9	8015105	BEARING HOUSING		1
10	1439005	DETENT RING 5		1
11	8015087	BRACKET, MOTOR		1
12	8015050	BRUSH PLUNGER		1
13	1123810	SELF LOCKING NUT M8,SS		1
14	1421816	PLAIN WASHER 8×16×1.6,SS		3
15	8115404	SPACER		1
16	8116009	BUMPING WHEEL		1
17	8111023	WARNING DECAL		1
18	1221512	PH SCREW M5×12		2
19	1421510	PLAIN WASHER 5×10×1,SS		2
20	8116002	WASHER		1
21	8116003	SPRING CLAMP		1
22	8116008	BRUSH HUB		1
23Δ	9050018	BRUSH 18"		1
24	1421828	PLAIN WASHER 8×28×3		1
25	8015090	SPLASH GUARD		1
26	1422821	SPRING WASHER 8		1
27	1023810	HEX HEAD BOLT 5/16×1",SS		1
28	1021835	HEX HEAD BOLT M8×35,SS		1
29	1111215	HEX NUT M16		1
30	8015108	SUPPORTER		1
31	1011016	HEX BOLT M6×16		1
32	1411020	PLAIN WASHER 10×20×2		4
33	1011625	HEX HEAD BOLT M6×25		4
34	1421618	PLAIN WASHER 6×18×1.6,SS		8
35	1221510	SH SCREW M5×10		1
36	1212410	SH SCREW M4×10		2
37	8015060	WATER INLET		1
38	8015041	MOTOR BRACKET		1
39	8015005	BRUSH COVER		1
40	1222510	SH SCREW M5×10		2
41	1421518	PLAIN WASHER 5×18×2,SS		4
42	1422513	SPRING WASHER 5		5
43	1221515	PH SCREW M5×15		3
44	1221616	PH SCREW M6×16		8



## BRUSH ASSEMBLY

DIA NO	PART NUMBER	DESCRIPTION	SERIAL NUMBER	NO REQ'D
45	8015103	VALVE BRACKET		1
46	1221410	PH SCREW M4×10,SS		2
47	1321213	AUTO TAPPING SCREW ST4.2×13		2
48	1646240	COTTER PIN 2×40		2
49	8015116	NYLON WASHER 12.5×20×1.5		4
50	8015001	BRACKET		1
51	1123608	SELFLOCKING NUT M6,SS		4
52	1511040	HEX SOCKET SCREW M10×40		2
53	8015007	BUSHING		3
54	1113012	SELFLOCKING NUT M10		1
55	8015115	NYLON WASHER 10.5×30×2.5		2
56	8015121	SPACER 13×10.5×5.5		1
57	8015002	BRACKET		1
58	8116004	DETENT RING		1
59	1656433	KEY 6.35×32		1
60	8015003	SPACER 25.5×19.5×5		1
61	8115004	SPRING		1



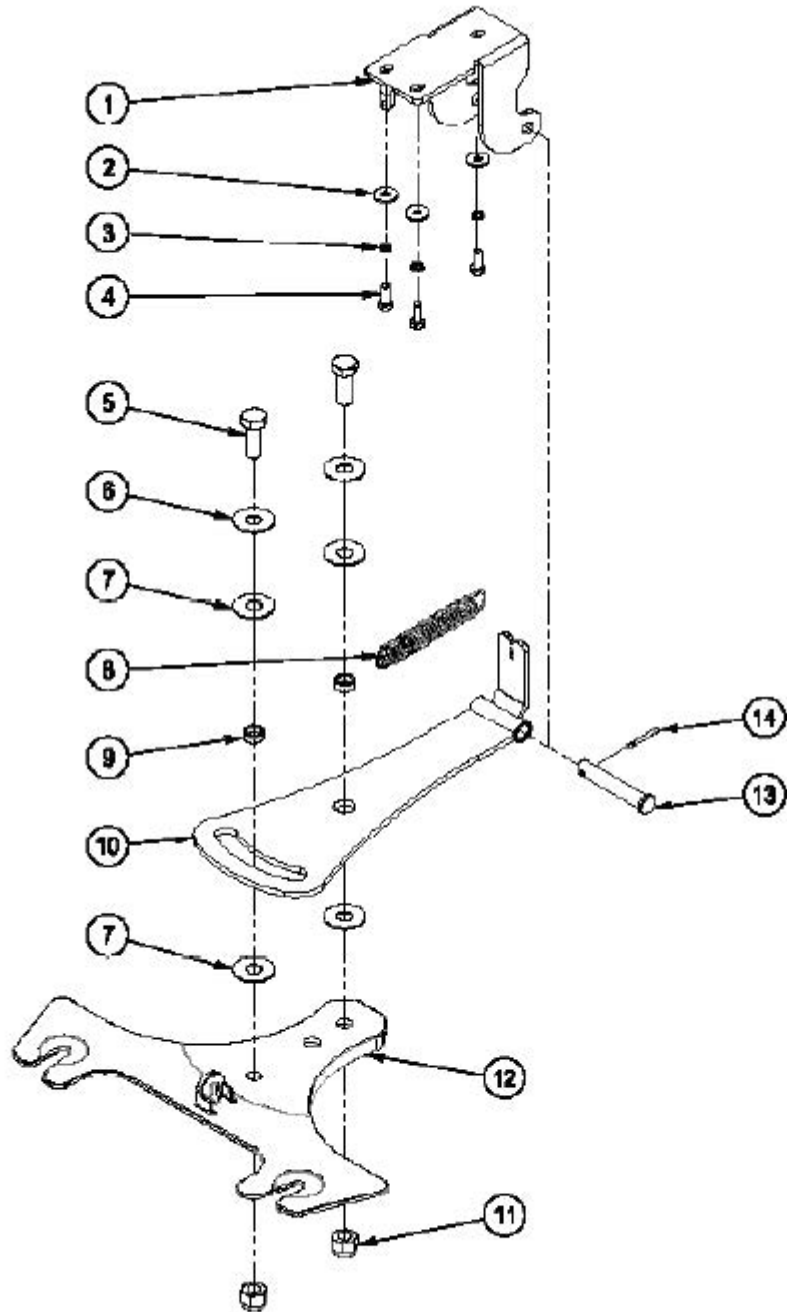
23Δ

## PARTS LIST

DIA NO	PART NUMBER	DESCRIPTION	SERIAL NUMBER	NO REQ'D
1	9050018	BRUSH 18"		1
2	9040017	PAD DRIVER 17"		1
3	9000001	BIG MOUTH		1

\* ONLY FOR i18B

# SQUEEGEE HOLDER ASSEMBLY



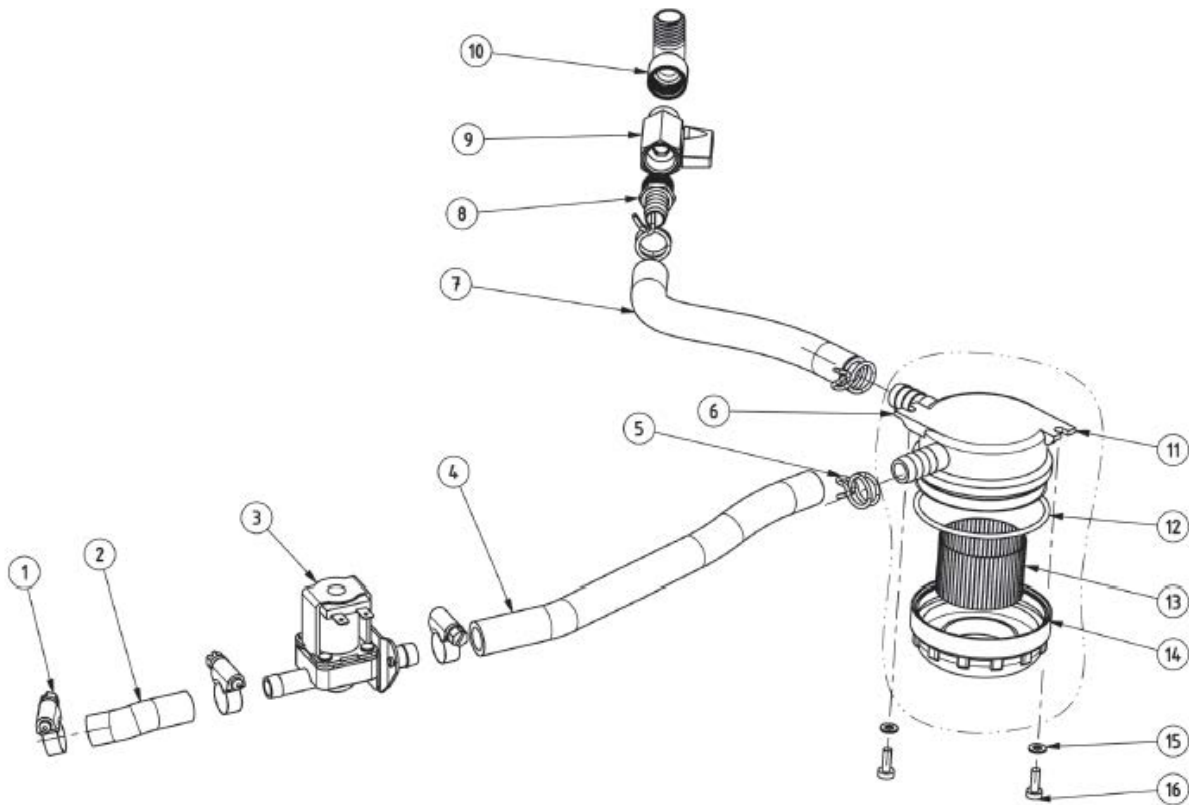
---

**SQUEEGEE HOLDER ASSEMBLY**

---

<b>DIA NO</b>	<b>PART NUMBER</b>	<b>DESCRIPTION</b>	<b>SERIAL NUMBER</b>	<b>NO REQ'D</b>
1	8037020	BRACKET, SQUEEGEE MNTG		1
2	1421618	PLAIN WASHER 6×18×1.6		3
3	1422616	SPRING WASHER 6 SS		3
4	1021616	HEX HEAD SCREW M6×16,SS		3
5	1021230	HEX HEAD BOLT M12×30,SS		2
6	1421132	PLAIN WASHER 12×32×2.0		2
7	8035001	PLASTIC WASHER 12×30×1.5		4
8	8115004	SPRING		1
9	8115005	SLEEVEE, SUS		2
10	8037010	BRACKET, SQUEEGEE		1
11	1123115	SELFLOCKING NUTS M12		2
12	8115001	SQUEEGEE SUPPORT		1
13	8037015	PIN 12×70		1
14	1645324	COTTER PIN		1

## SOLUTION SYSTEM ASSEMBLY



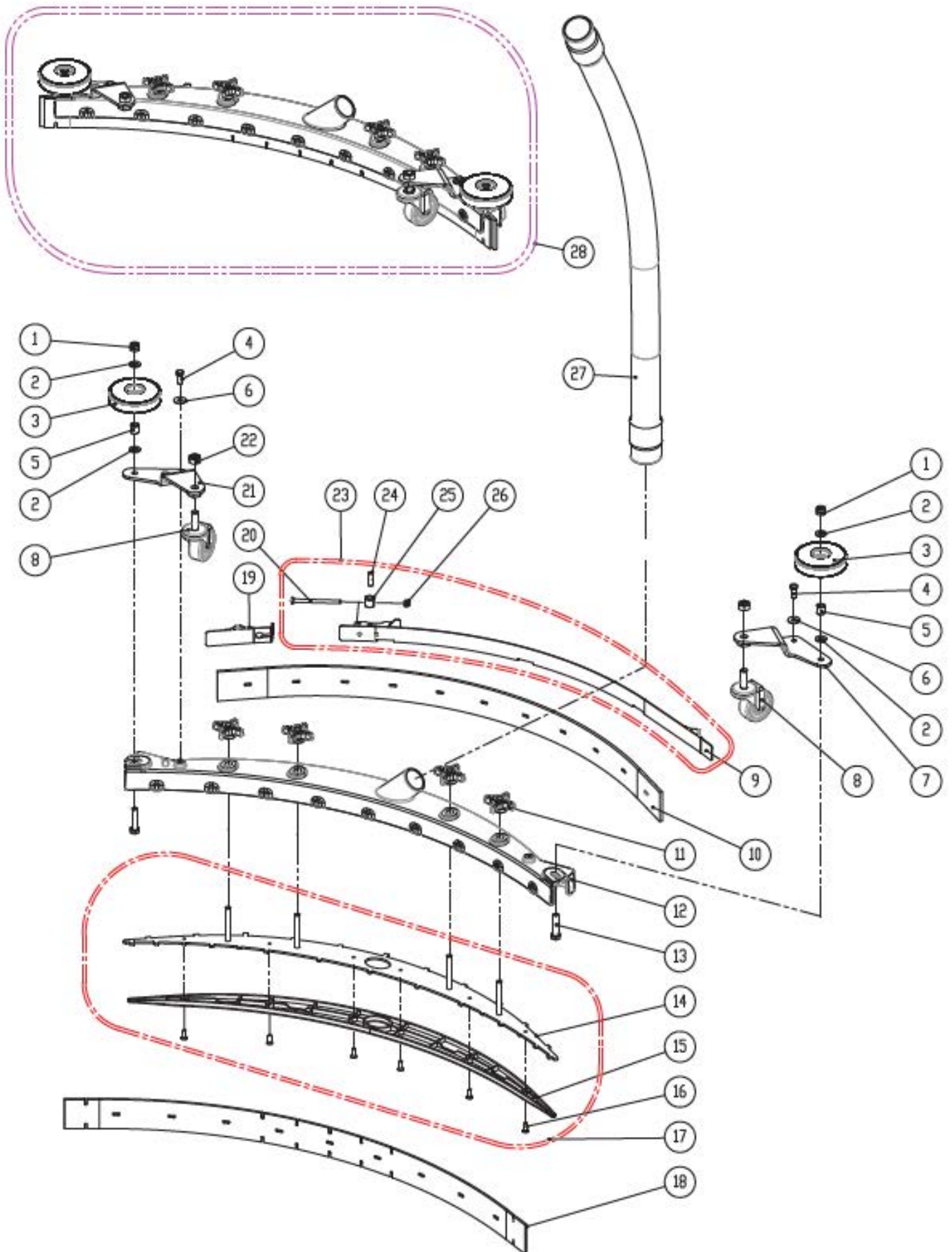
### PARTS LIST

## SOLUTION SYSTEM ASSEMBLY

DIA NO	PART NUMBER	DESCRIPTION	SERIAL NUMBER	NO REQ'D
1	1962016	HOSE CLAMP		2
2	8018004	HOSE		1
3	8018007*	SOLENOID VALVE, 24V		1
	8018009	SOLENOID VALVE, 110V		1
4	8018003	HOSE		1
5	8119006	HOSE CLAMP		4
6	8119200	FILTER ASSEMBLY		1
7	8018002	HOSE		1
8	8013007	JOINT		1
9	8018006	BALL VALVE		1
10	8013006	90° JOINT		1
11	8119101	FILTER BODY		1
12	1622765	O RING		1
13	8119104	FILTER SCREEN		1
14	8119102	FILTER COVER		1
15	1421409	PLAIN WASHER 4×9×0.8,SS		2
16	1221412	PH SCREW M4×12, SS		2

\* FOR i18B

# SQUEEGEE ASSEMBLY



## PARTS LIST

## SQUEEGEE ASSEMBLY

DIA NO.	PART NUMBER	DESCRIPTION	SERIAL NUMBER	NO REQ'D
1	1123810	LOCK NUT M8		2
2	1421824	FLAT WASHER M8× $\phi$ 24×2.0		4
3	8116009	PROTECTIVE WHEEL		2
4	1021616	HEX BOLT M6×16		2
5	8115404	BEARING, JOURNAL		2
6	1421612	FLAT WASHER M6× $\phi$ 12×1.6		2
7	8118300	BRACKET LEFT		1
8	8118400	CASTER, 2 INCH		2
9	8118600	CLAMP ASSEMBLY, SQUEEGEE		1
10	8118022	SQUEEGEE BLADE, REAR, LINATEX		1
	8118002	SQUEEGEE BLADE, REAR, PU (OPTION)		1
11	8118003	STAR KNOB M8		4
12	8118004	SQUEEGEE HOUSING		1
13	1021835	HEX BOLT M8×35		2
14	8118009	RETAINER,SQUEEGEE		1
15	8118008	SPACER		1
16	1222515	SCREW M5×15		6
17	8118010	RETAINER ASSEMBLY		1
18	8118021	SQUEEGEE BLADE, FRONT, LINATEX		1
	8118001	SQUEEGEE BLADE, FRONT, PU (OPTION)		1
19	8118610	SHORT CLAMP ASSEMBLY		1
20	1221575	SCREW M5×75		1
21	8118200	BRACKET RIGHT		1
22	1121008	HEX NUT M10		2
23	8118600A	CLAMP ASSEMBLY		1
24	8118624	SHAFT		1
25	8118623	SPACER		1
26	1123507	LOCK NUT M5		1
27	8011003	VACUUM HOSE		1
28	8118050	SQUEEGEE ASSEMBLY, LINATEX		1
	8118051	SQUEEGEE ASSEMBLY, PU		1

# PARTS LIST

---



## CONNECTOR DIAGRAM

DIA NO.	PART NUMBER	DESCRIPTION	NO REQ'D
1	1883036	CLIP FOR CONNECTOR HOUSING	2
2	1883041	RUBBER GROMMENT	4
3	1883039	FEMALE PIN	2
4	1883037	CONNECTOR HOUSING	1
5	1883038	CONNECTOR HOUSING	1
6	1883040	MALE PIN	2

# PARTS LIST

---



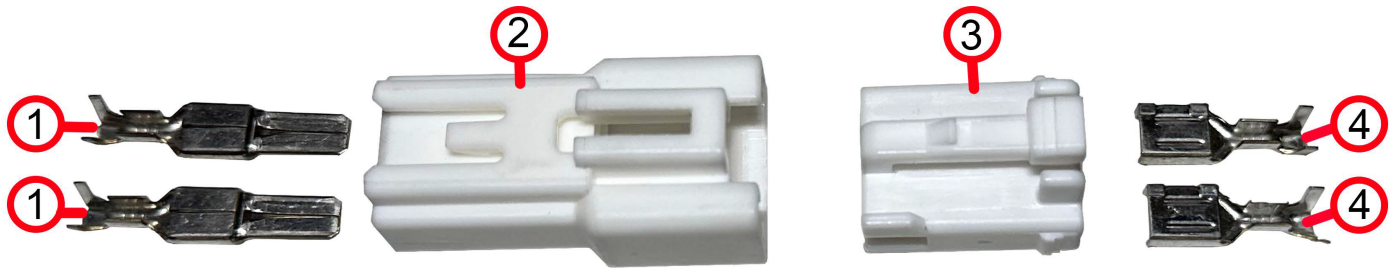
## CONNECTOR DIAGRAM

DIA NO.	PART NUMBER	DESCRIPTION	NO REQ'D
1	1883046	CLIP FOR CONNECTOR HOUSING	2
2	1883052	FEMALE PIN	2
3	1883044	CONNECTOR HOUSING	1
4	1883045	CONNECTOR HOUSING	1
5	1883043	MALE PIN	2



# PARTS LIST

---

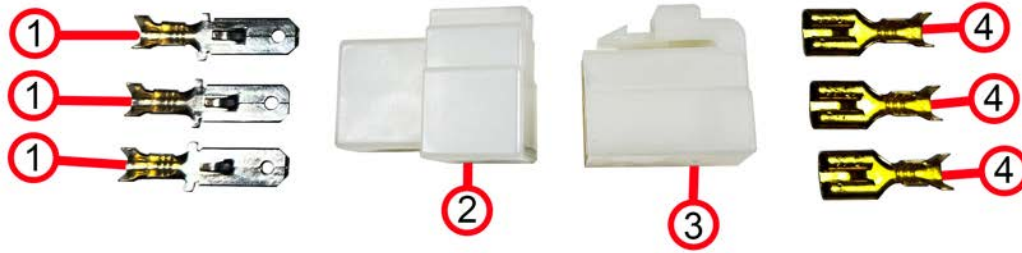


## CONNECTOR DIAGRAM

DIA NO.	PART NUMBER	DESCRIPTION	NO REQ'D
1	1883014	MALE PIN	2
2	1883012	CONNECTOR HOUSING	1
3	1883013	CONNECTOR HOUSING	1
4	1883015	FEMALE PIN	2

# PARTS LIST

---



## CONNECTOR DIAGRAM

DIA NO.	PART NUMBER	DESCRIPTION	NO REQ'D
1	1883029	MALE PIN	3
2	1883024	CONNECTOR HOUSING	1
3	1883025	CONNECTOR HOUSING	1
4	1883030	FEMALE PIN	3

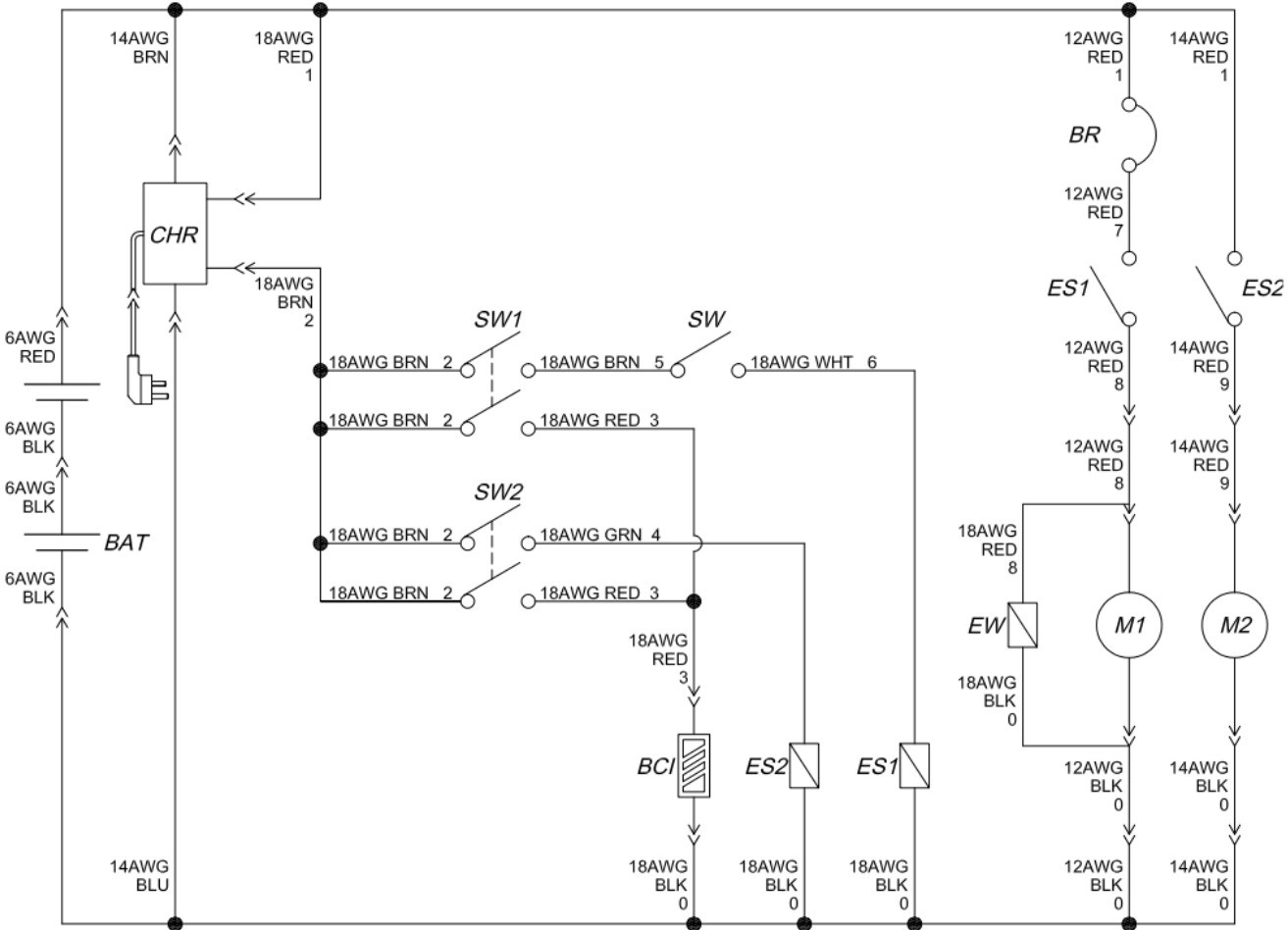
---

## WEAR & TEAR PARTS LIST

<b>PART NO.</b>	<b>DESCRIPTION</b>	<b>SERIAL NUMBER</b>	<b>QTY.</b>
8115200	8 INCH WHEEL		2
8116009	BUMPING WHEEL		3
8118022	REAR SQUEEGEE		1
8118021	FRONT SQUEEGEE		1
9040017	PAD HOLDER 17"		1
9050018	BRUSH 18"		1

# WIRING DIAGRAM

## i18B



- BAT: 2-12V battery
- CHR: On board charger
- SW: Control handle switch
- SW1: Brush motor switch
- SW2: Vacuum motor switch
- ES1: Brush motor solenoid switch
- ES2: Vacuum motor relay
- BCI: Battery capacity indicator
- BR: Circuit breaker
- EW: Solution solenoid valve
- M1: Brush motor
- M2: Vacuum motor

- BLK: Black
- BLU: Blue
- BRN: Brown
- GRN: Green
- RED: Red
- WHT: White
- YEW: Yellow

# WIRING DIAGRAM

i18C

